



US00D652412S

(12) **United States Design Patent**  
**Lozano**

(10) **Patent No.:** **US D652,412 S**  
(45) **Date of Patent:** **\*\* Jan. 17, 2012**

(54) **MOUNTING PANEL FOR AN AUDIO-VIDEO ASSEMBLY**

(76) Inventor: **Anthony Lozano**, San Jose, CA (US)

(\*\*) Term: **14 Years**

(21) Appl. No.: **29/371,741**

(22) Filed: **Aug. 17, 2011**

**Related U.S. Application Data**

(62) Division of application No. 29/377,142, filed on Oct. 18, 2010, now Pat. No. Des. 645,850.

(51) **LOC (9) Cl.** ..... **14-03**

(52) **U.S. Cl.** ..... **D14/239**

(58) **Field of Classification Search** ..... D14/125-134, D14/239, 168, 188, 197, 198, 371, 374-377, D14/496-510; 312/7.1, 7.2; 348/836, 838, 348/180, 184, 325, 739, 825, 827; 341/12; 349/58; 720/600, 619, 646, 647, 655; 455/347-351; 369/75.11, 75.21; D6/474-499, 407, 460, D6/461, 468; 248/465, 917-924, 123.11; 600/41.12, 42, 49.1, 50, 85.2, 90.04, 187, 600/190, 119.003, 134.153, 87.01, 71.01  
See application file for complete search history.

(56) **References Cited**

**U.S. PATENT DOCUMENTS**

6,809,295 B1 10/2004 Vargas  
D517,838 S 3/2006 Luong  
D539,232 S 3/2007 Lozano  
D541,764 S 5/2007 Lozano  
D550,478 S 9/2007 Glass et al.

D552,052 S 10/2007 Lozano  
7,472,971 B2 1/2009 Schnieder et al.  
D586,792 S 2/2009 Lozano  
D622,275 S 8/2010 Lozano  
2003/0102781 A1 6/2003 White et al.  
2006/0274486 A1 12/2006 Kim  
2006/0284031 A1 12/2006 Whalen et al.

*Primary Examiner* — Raphael Barkai  
*Assistant Examiner* — Randall Gholson  
(74) *Attorney, Agent, or Firm* — Mattingly & Malur, P.C.

(57) **CLAIM**

The ornamental design for a mounting panel for an audio-video assembly, as illustrated and described.

**DESCRIPTION**

FIG. 1 is a front perspective view of a first preferred embodiment of my new design for a mounting panel for an audio-video assembly;  
FIG. 2 is a front perspective view thereof;  
FIG. 3 is a rear perspective view thereof;  
FIG. 4 is a front elevational view thereof;  
FIG. 5 is a right plan view thereof;  
FIG. 6 is a left plan view thereof;  
FIG. 7 is a top plan view thereof;  
FIG. 8 is a bottom plan view thereof;  
FIG. 9 is a rear elevational view thereof;  
FIG. 10 is an exploded front perspective view thereof; and,  
FIG. 11 is a exploded rear perspective view thereof.  
The broken lines showing of a cabinet, a pivotable support arm and an audio-video assembly are included for purposes of illustrating environment and form no part of the claimed design.

**1 Claim, 8 Drawing Sheets**

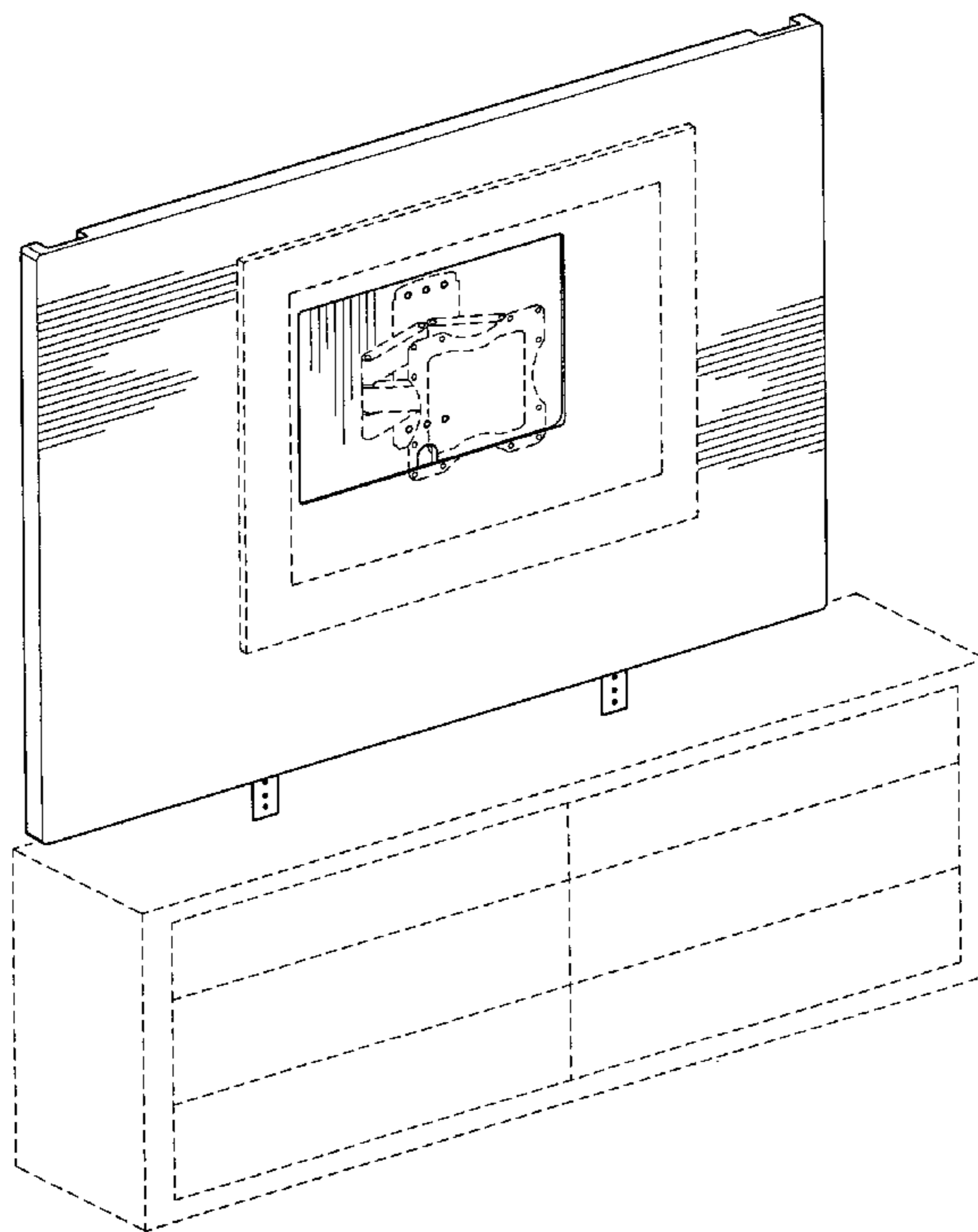
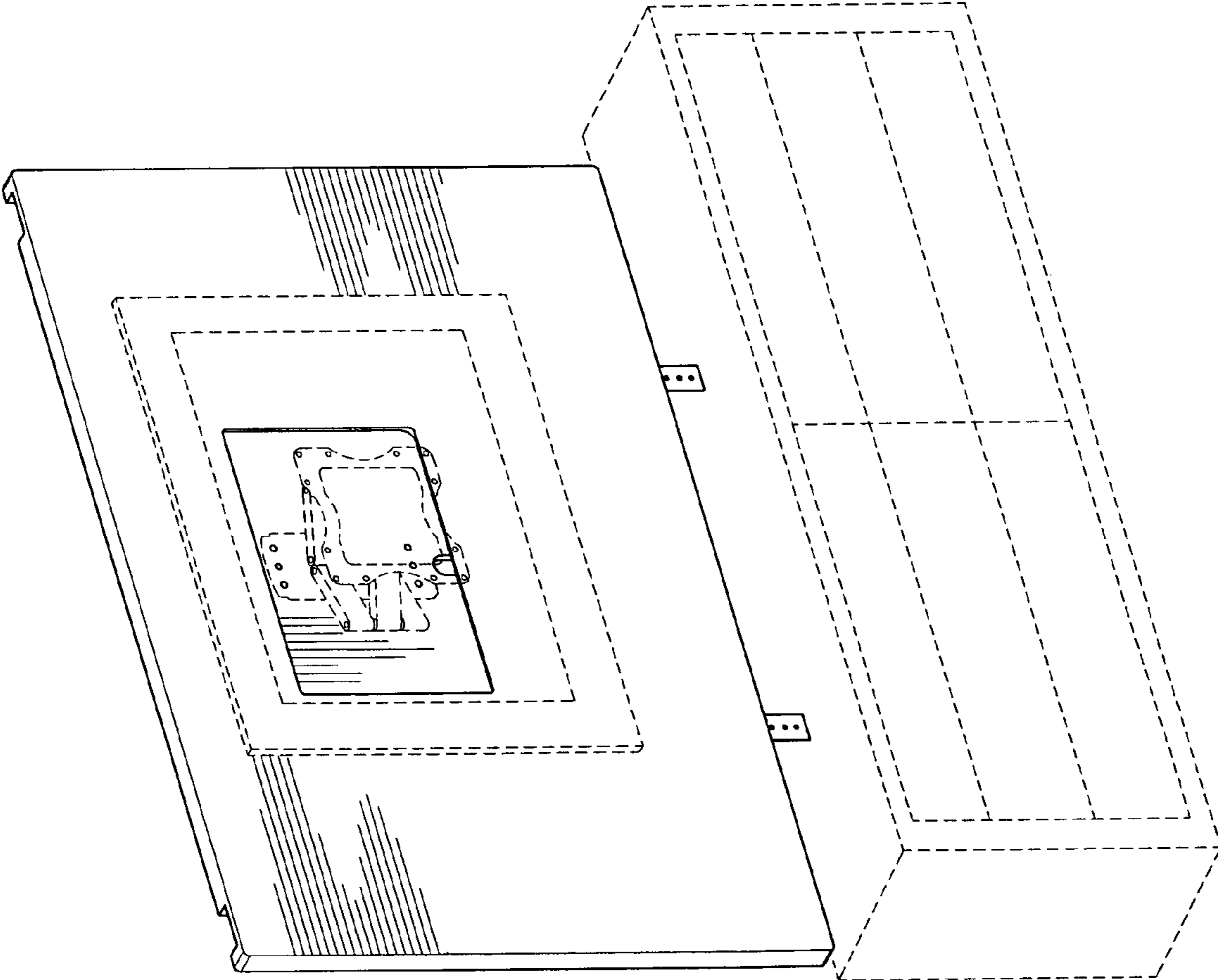


FIG. 1



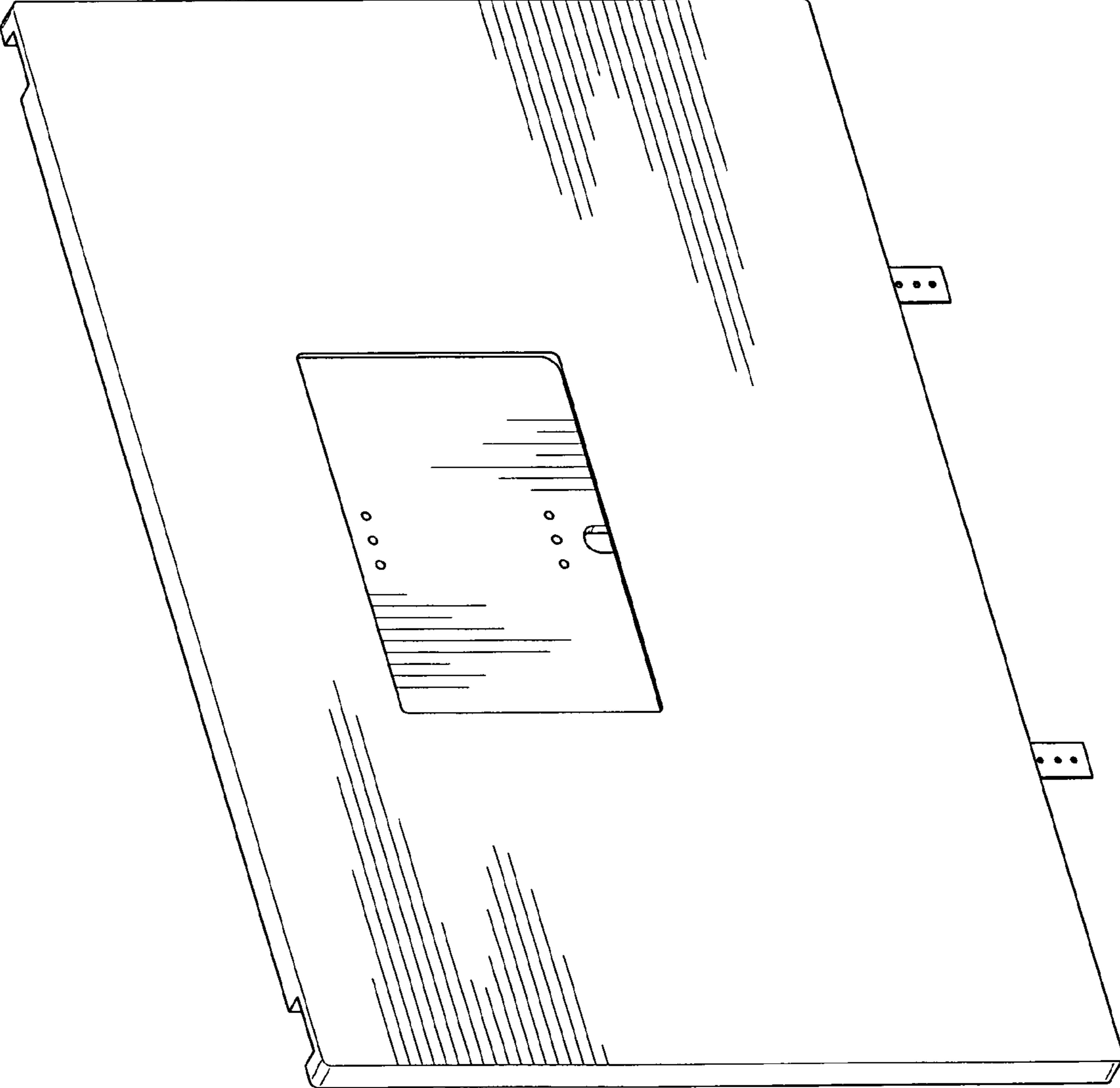


FIG. 2

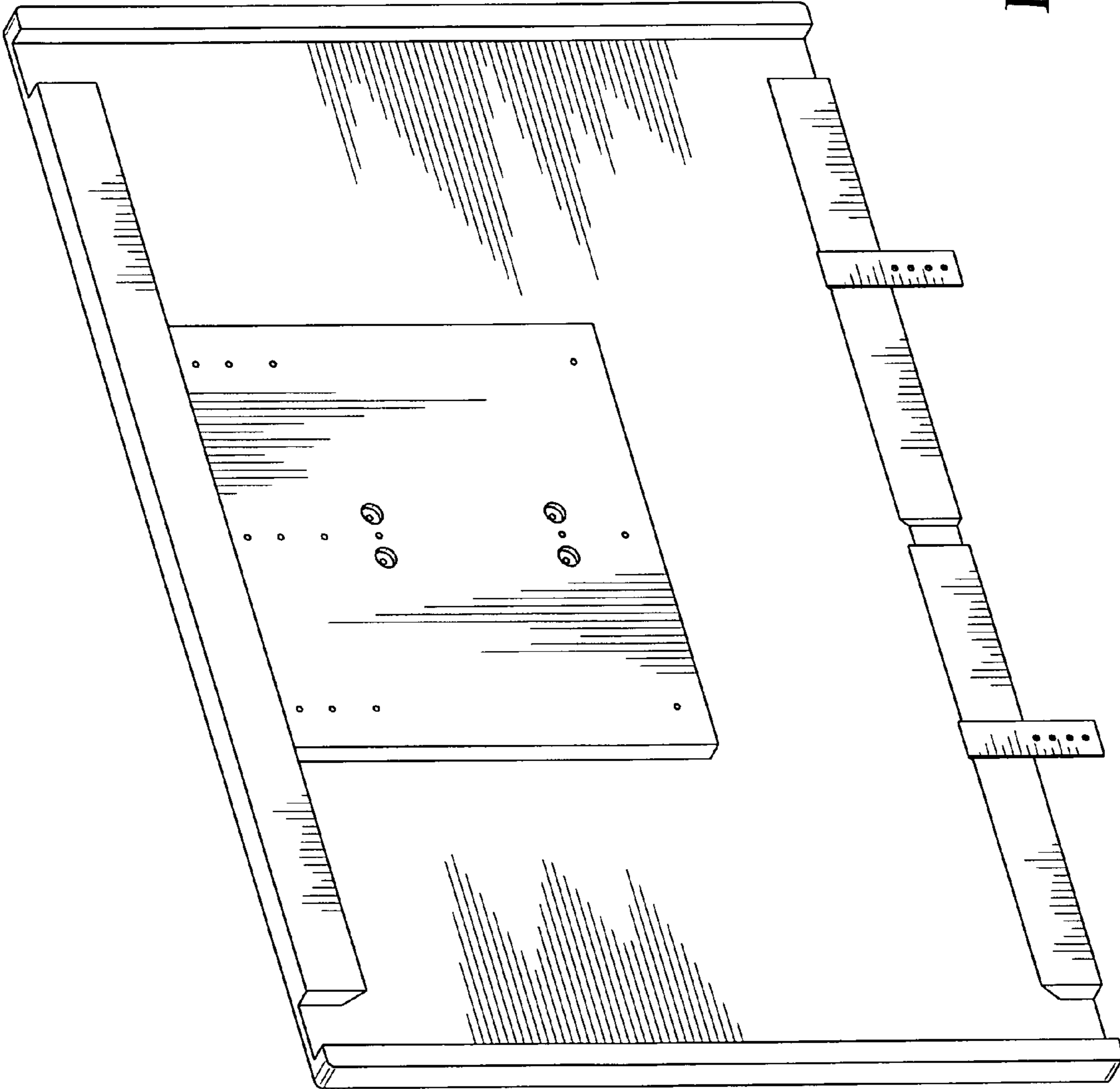


FIG. 3

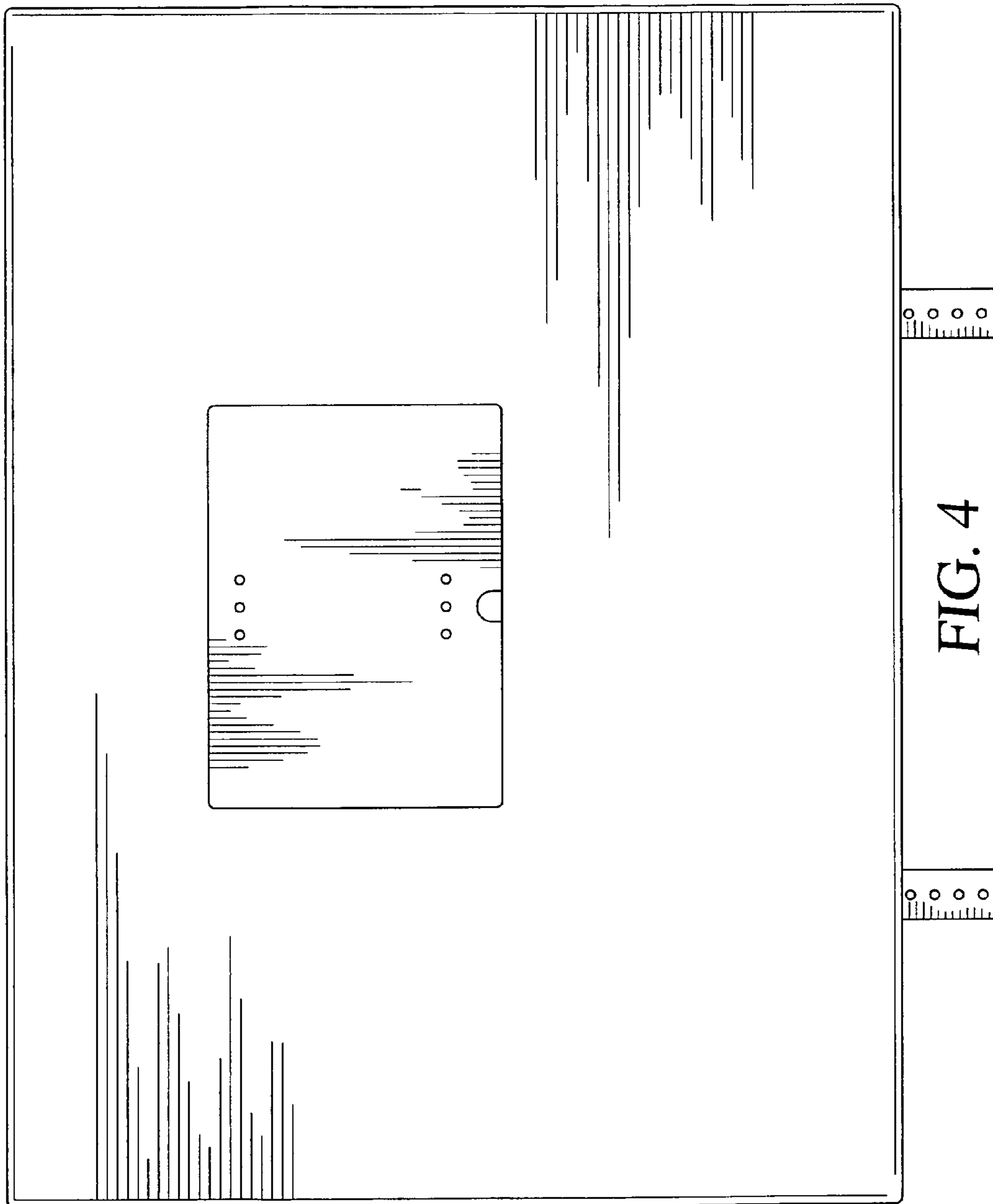


FIG. 4

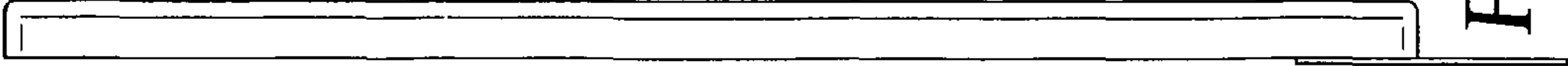


FIG. 6



FIG. 7



FIG. 8

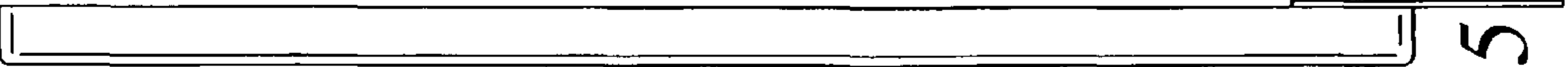


FIG. 5

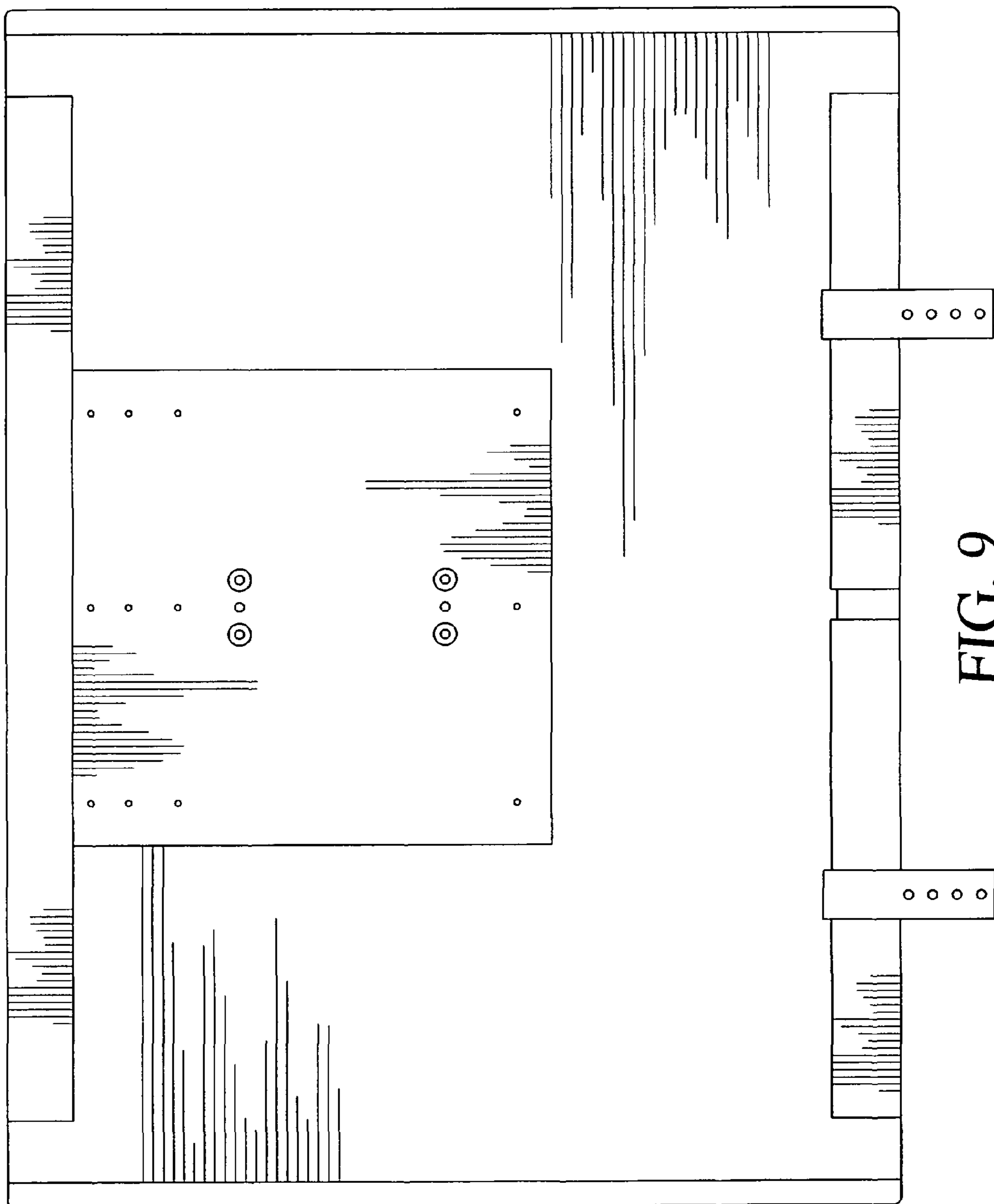


FIG. 9



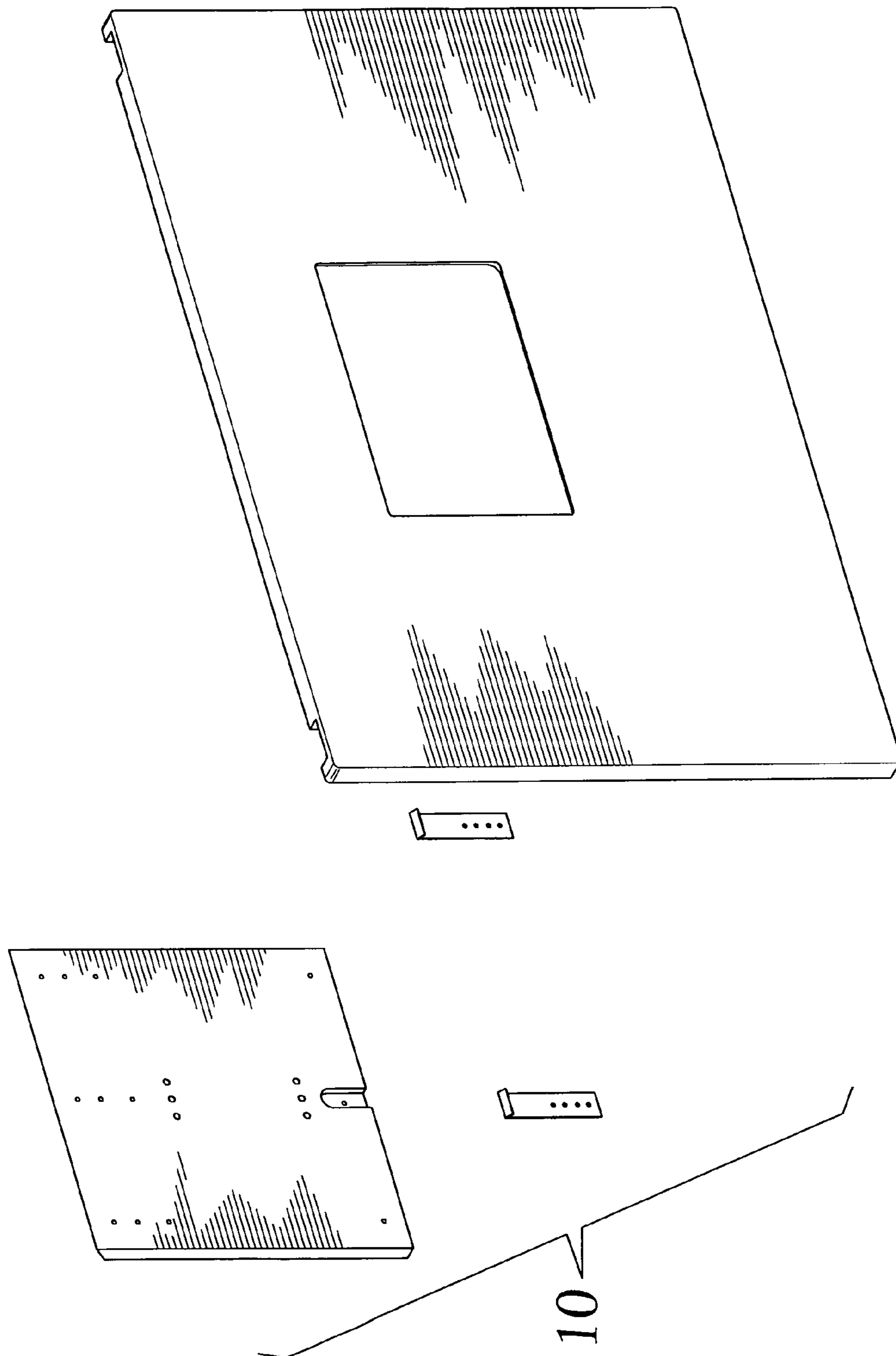


FIG. 10



FIG. 11

