



US00D652411S

(12) **United States Design Patent**  
**Crawford et al.**

(10) **Patent No.:** **US D652,411 S**

(45) **Date of Patent:** **\*\* Jan. 17, 2012**

(54) **SATELLITE ANTENNA MOUNTING PLATE**

(75) Inventors: **William B. Crawford**, Lafayette, LA (US); **Melissa E. Ross**, Lafayette, LA (US)

(73) Assignee: **Dishmount Products, LLC**, Lafayette, LA (US)

(\*\*) Term: **14 Years**

(21) Appl. No.: **29/393,368**

(22) Filed: **Jun. 3, 2011**

(51) **LOC (9) Cl.** ..... **14-03**

(52) **U.S. Cl.** ..... **D14/238**

(58) **Field of Classification Search** ..... D14/230–238, D14/299, 358; D6/495; D16/242; 343/700 R, 343/878–892; 455/561

See application file for complete search history.

(56) **References Cited**

**U.S. PATENT DOCUMENTS**

|           |      |         |           |       |         |
|-----------|------|---------|-----------|-------|---------|
| 5,174,539 | A *  | 12/1992 | Leonard   | ..... | 248/558 |
| D368,720  | S *  | 4/1996  | Godar     | ..... | D14/230 |
| D434,304  | S *  | 11/2000 | Willett   | ..... | D8/354  |
| D442,471  | S *  | 5/2001  | Willett   | ..... | D8/354  |
| 6,766,992 | B1 * | 7/2004  | Parker    | ..... | 248/300 |
| D523,920  | S *  | 6/2006  | Cresswell | ..... | D21/804 |
| D533,547  | S *  | 12/2006 | Sergi     | ..... | D14/238 |

|           |      |         |                 |       |            |
|-----------|------|---------|-----------------|-------|------------|
| D534,904  | S *  | 1/2007  | Crawford        | ..... | D14/238    |
| D557,116  | S *  | 12/2007 | Zakowski        | ..... | D8/354     |
| 7,726,617 | B2 * | 6/2010  | Zambelli et al. | ..... | 248/288.31 |
| D621,692  | S *  | 8/2010  | Clarke          | ..... | D8/354     |

\* cited by examiner

*Primary Examiner* — Celia A. Murphy

*Assistant Examiner* — John Windmuller

(74) *Attorney, Agent, or Firm* — Jones Walker

(57) **CLAIM**

We claim the ornamental design for a satellite antenna mounting plate, as shown and described.

**DESCRIPTION**

FIG. 1 is a perspective, left view of a satellite antenna mounting plate showing our new design;

FIG. 2 is a front view thereof;

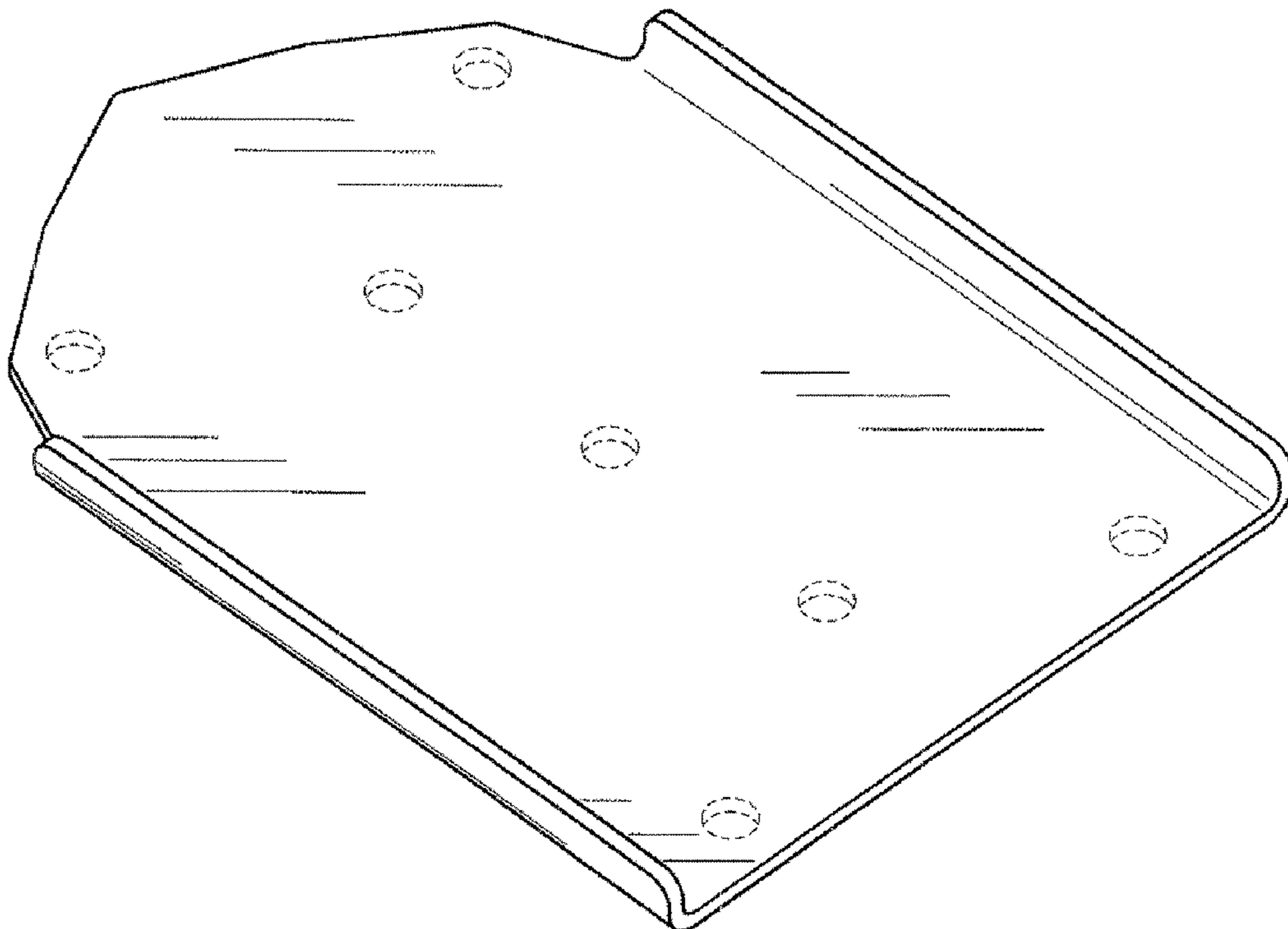
FIG. 3 is a back view thereof;

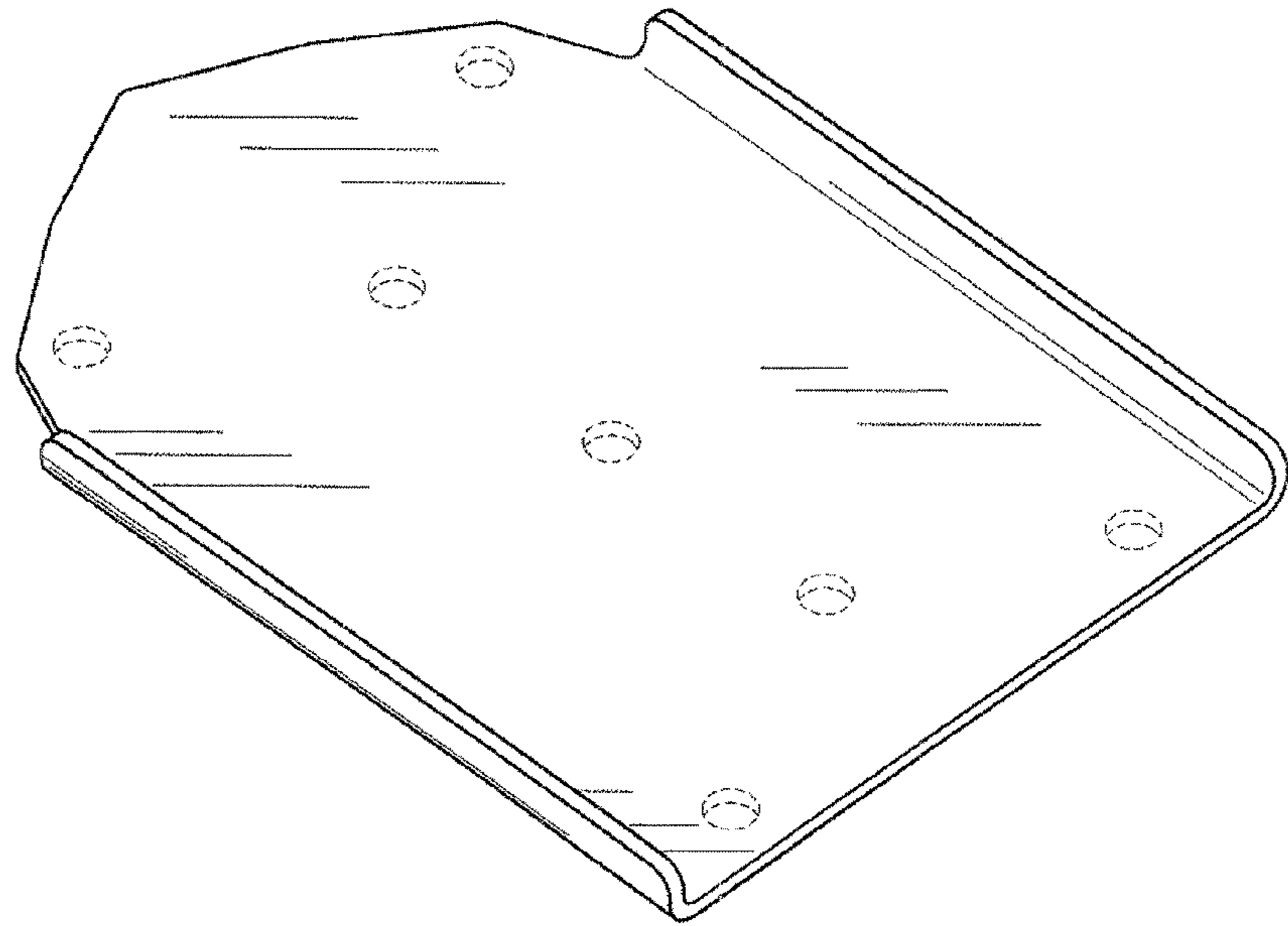
FIG. 4 is a bottom-side view thereof; and,

FIG. 5 is a side view thereof.

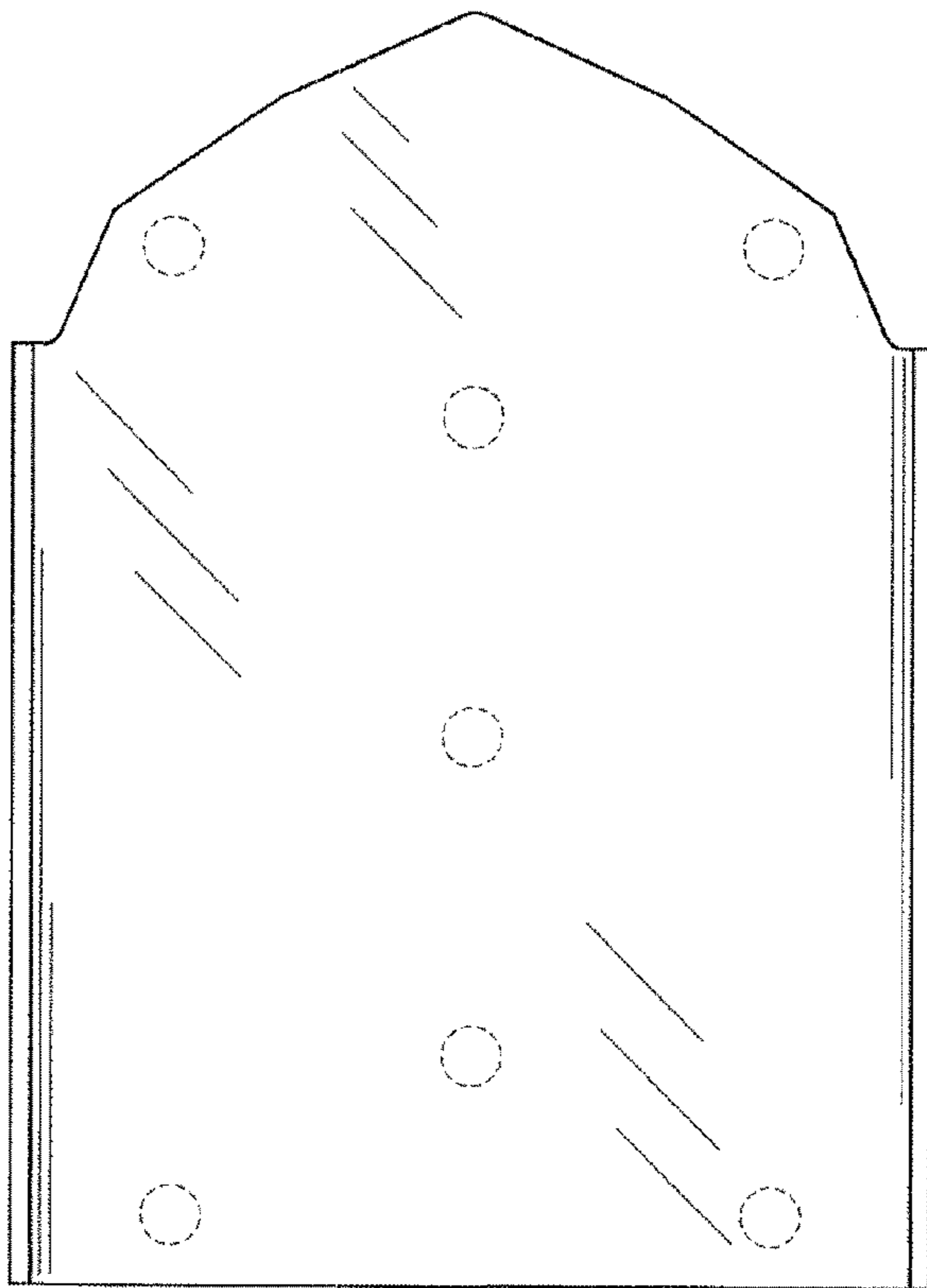
The broken lines showing mounting holes in the embodiment of the satellite antenna mounting plate showing our new design in FIGS. 1-3 is for the purpose of illustrating the environmental structure by which the article is affixed to a mounting surface and forms no part of the claimed design.

**1 Claim, 2 Drawing Sheets**

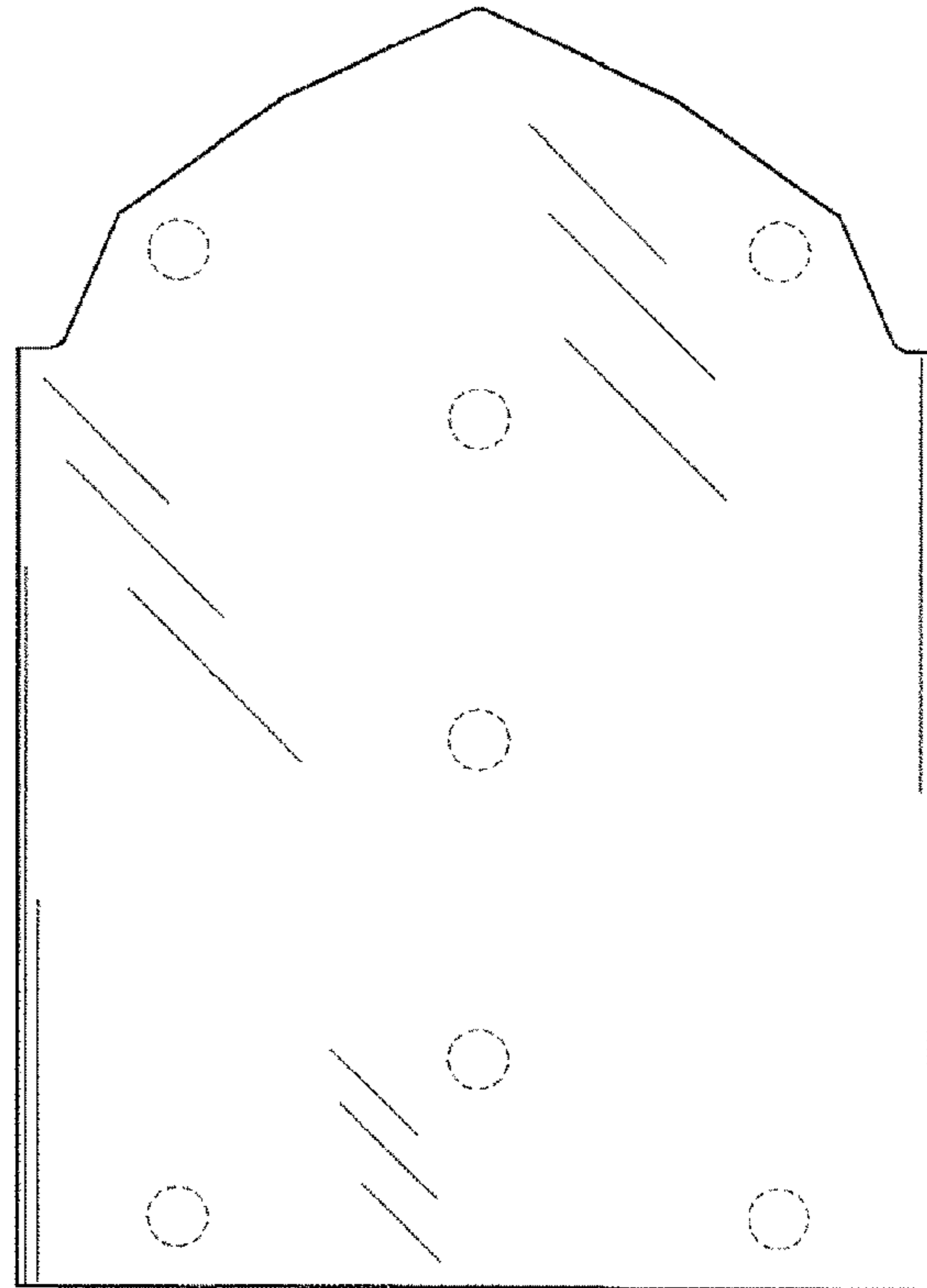




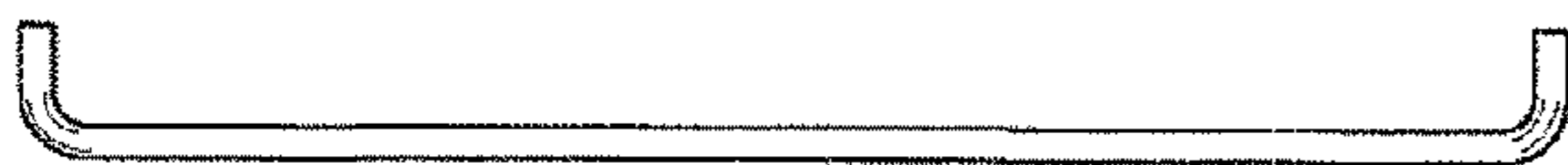
**Fig. 1**



**Fig. 2**



**Fig. 3**



**Fig. 4**



**Fig. 5**