



US00D652407S

(12) **United States Design Patent**
Groset et al.

(10) **Patent No.:** **US D652,407 S**
(45) **Date of Patent:** **** Jan. 17, 2012**

(54) **ZIPPERED EARPHONES**

(75) Inventors: **Erik Groset**, Carlsbad, CA (US); **Justin Liu**, San Diego, CA (US); **Michael Klasco**, Richmond, CA (US); **Robin DeFay**, Poway, CA (US)

(73) Assignee: **Zipbuds, LLC**, San Diego, CA (US)

(**) Term: **14 Years**

(21) Appl. No.: **29/397,922**

(22) Filed: **Jul. 22, 2011**

Related U.S. Application Data

(63) Continuation of application No. 12/941,943, filed on Nov. 8, 2010.

(51) **LOC (9) Cl.** **14-01**

(52) **U.S. Cl.** **D14/205**

(58) **Field of Classification Search** D14/205,
D14/206, 223, 167, 168, 192; 379/430; 381/380,
381/381, 374, 383, 370, 385; 181/135, 137;
D2/607; 24/381, 383; 455/90.3, 569.1
See application file for complete search history.

(56) **References Cited**

U.S. PATENT DOCUMENTS

2,896,217	A *	7/1959	Cedarstaff	2/150
D231,613	S *	5/1974	Sarber	D14/206
4,160,306	A *	7/1979	Pizzoccaro	24/381
D270,634	S *	9/1983	Ungar	D14/205
D469,753	S *	2/2003	Andre et al.	D14/205
D546,321	S *	7/2007	Kim	D14/223
D569,841	S *	5/2008	Chung et al.	D14/205
D578,507	S *	10/2008	Ando	D14/205
7,450,014	B2 *	11/2008	Farhadian	340/573.1
D589,491	S *	3/2009	Andre et al.	D14/205

(Continued)

FOREIGN PATENT DOCUMENTS

EP 1509062 A1 2/2005
(Continued)

Primary Examiner — Paula Greene

(74) *Attorney, Agent, or Firm* — Mintz Levin Cohn Ferris Glovsky and Popeo, P.C.

(57) **CLAIM**

The ornamental design for zippered earphones, as shown and described.

DESCRIPTION

FIG. 1 is a front view of the zippered earphones showing our new design;

FIG. 2 is a top view of the zippered earphones;

FIG. 3 is a bottom view of the zippered earphones;

FIG. 4 is an exploded front view thereof;

FIG. 5 is an exploded rear view thereof;

FIG. 6 is an exploded side view thereof, the opposite side is a mirror image;

FIG. 7 is an enlarged front view of the earphone shown separately for purposes of illustration thereof, the other earphone is a mirror image;

FIG. 8 is an enlarged side view of the earphone thereof, the other earphone is a mirror image;

FIG. 9 is an enlarged side view of the earphone thereof, the other earphone is a mirror image;

FIG. 10 is an enlarged top view of the earphone thereof, the other earphone is a mirror image;

FIG. 11 is an enlarged bottom view of the earphone thereof, the other earphone is a mirror image;

FIG. 12 is an enlarged front view of the zipper in a closed position shown separately for purposes of illustration;

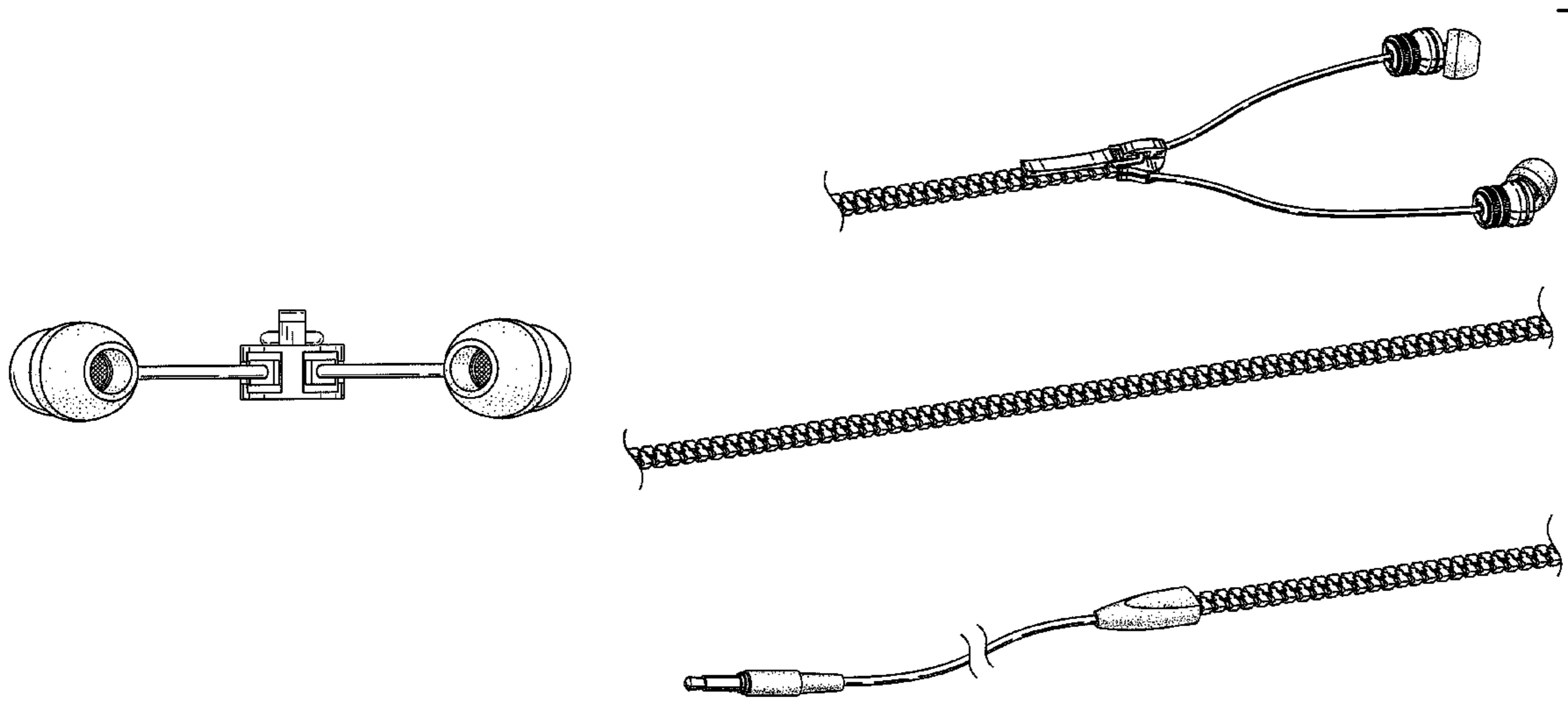
FIG. 13 an enlarged side view thereof;

FIG. 14 is an enlarged perspective view of the zipper and pull in an open position thereof.

FIG. 15 is an enlarged perspective view thereof; and,

FIG. 16 is a perspective view of the zippered earphones.

1 Claim, 9 Drawing Sheets



US D652,407 S

Page 2

U.S. PATENT DOCUMENTS

D591,264 S * 4/2009 Hong et al. D14/205
D596,690 S * 7/2009 Bennett D21/791
D598,010 S * 8/2009 Matsuda et al. D14/223
D599,778 S * 9/2009 Ando D14/205
D605,628 S * 12/2009 Ando D14/205
D607,875 S * 1/2010 Pedersen, II D14/206
D614,168 S * 4/2010 Rogers et al. D14/206
D637,756 S * 5/2011 Okano et al. D26/135

D637,999 S * 5/2011 Brunner et al. D14/205
D643,414 S * 8/2011 Lee et al. D14/223
2005/0069147 A1 3/2005 Pedersen
2011/0162883 A1 7/2011 Groset et al.

FOREIGN PATENT DOCUMENTS

JP 2004056636 A 2/2004
WO 2009030578 A1 3/2009

* cited by examiner

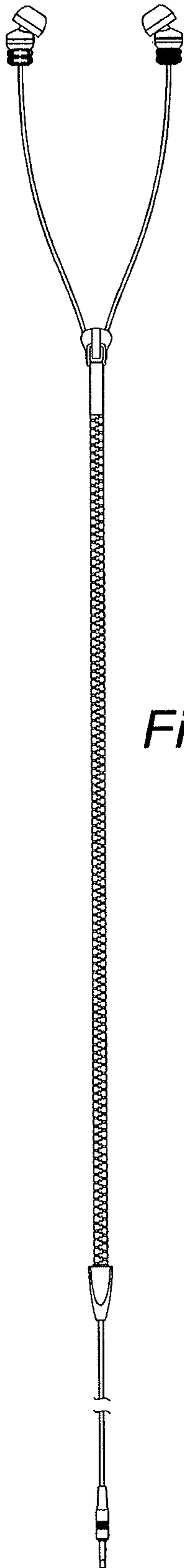


Fig. 1

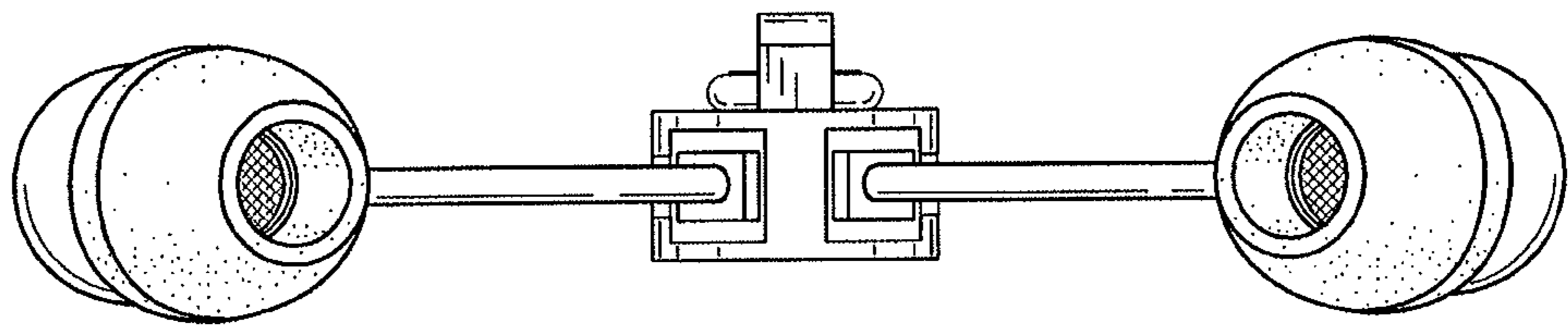


Fig. 2

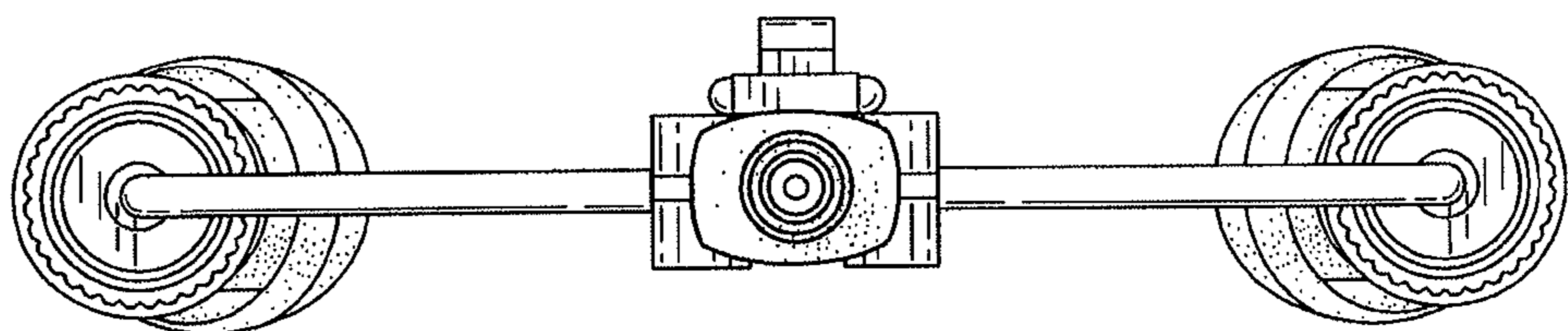


Fig. 3

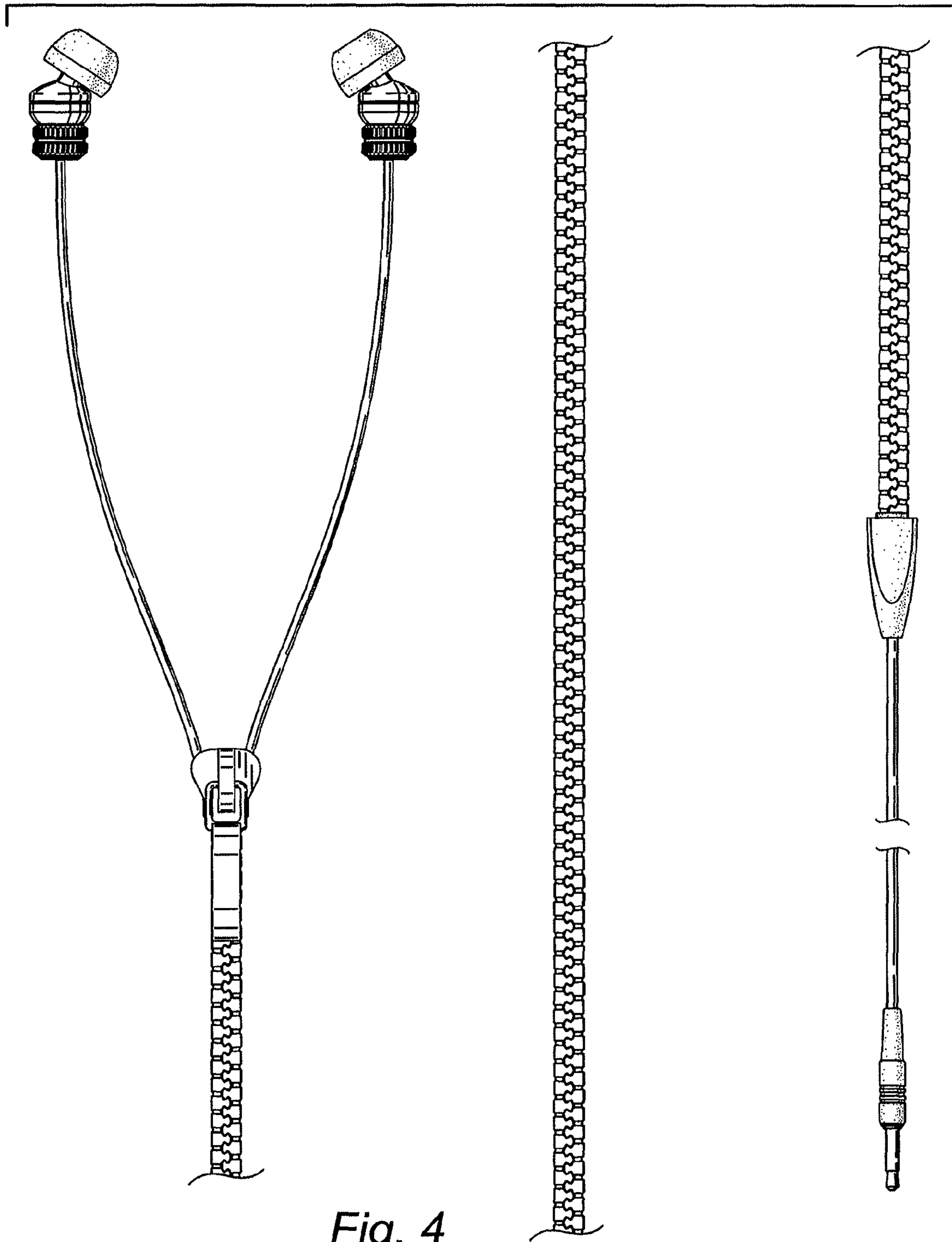
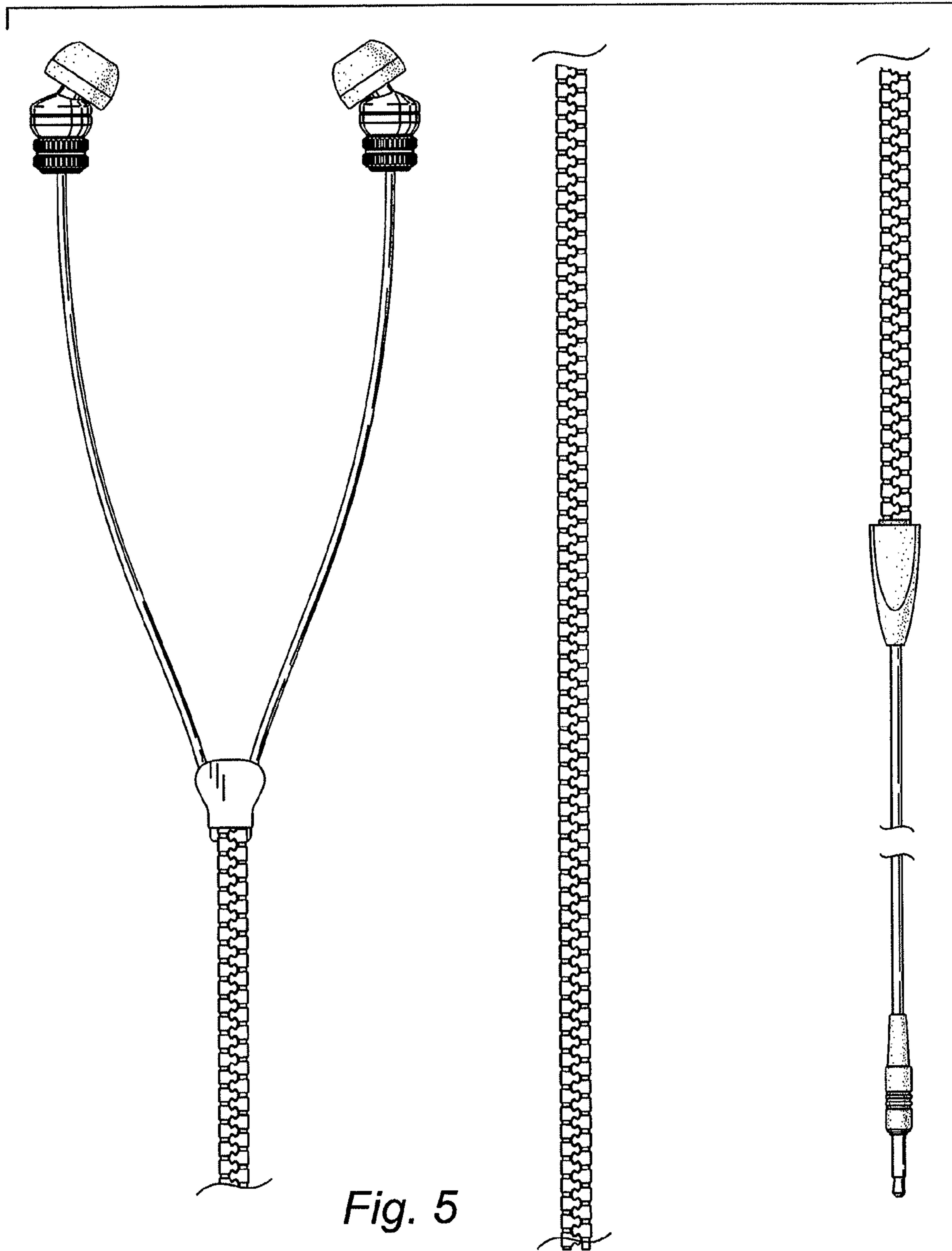


Fig. 4



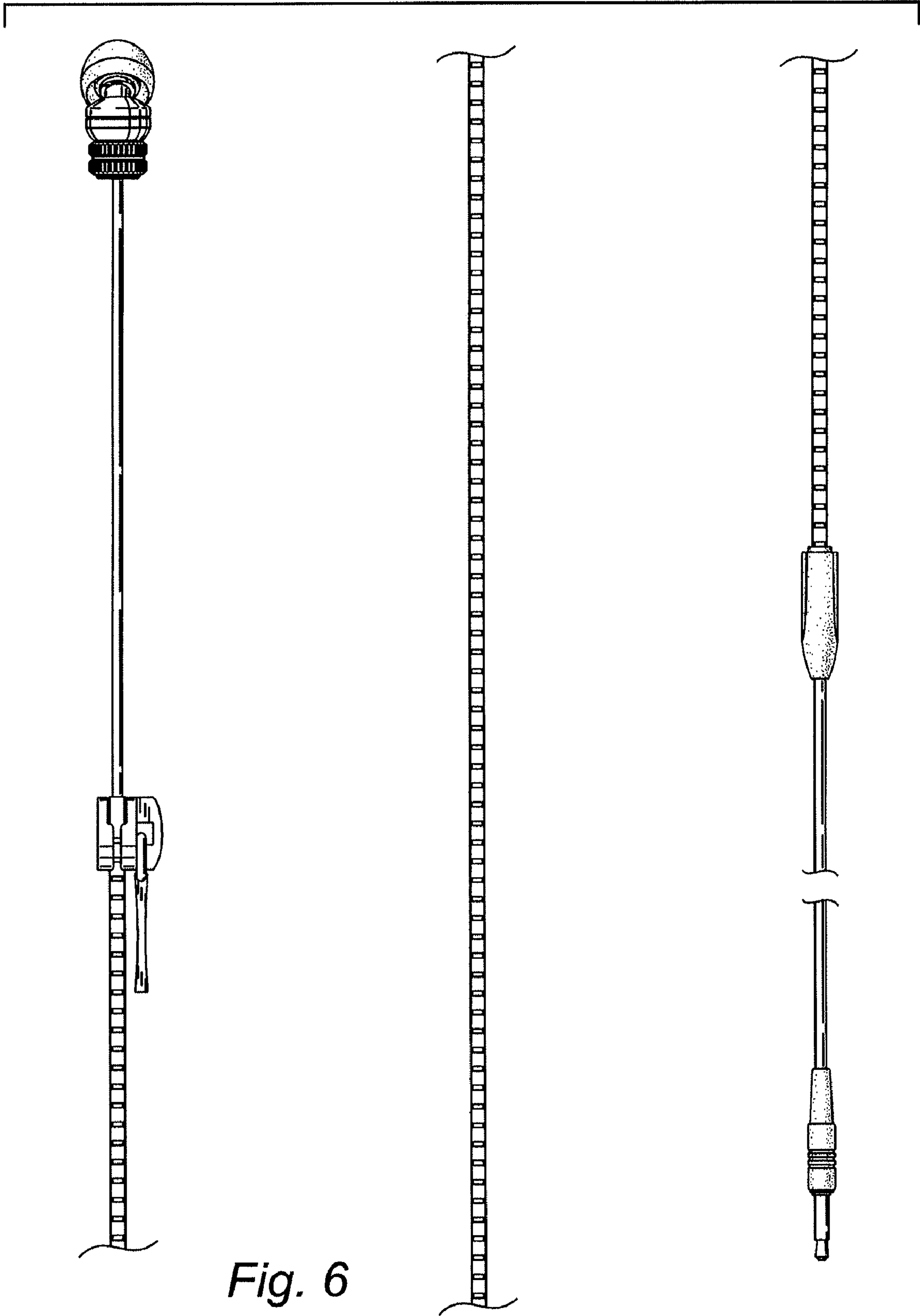


Fig. 6

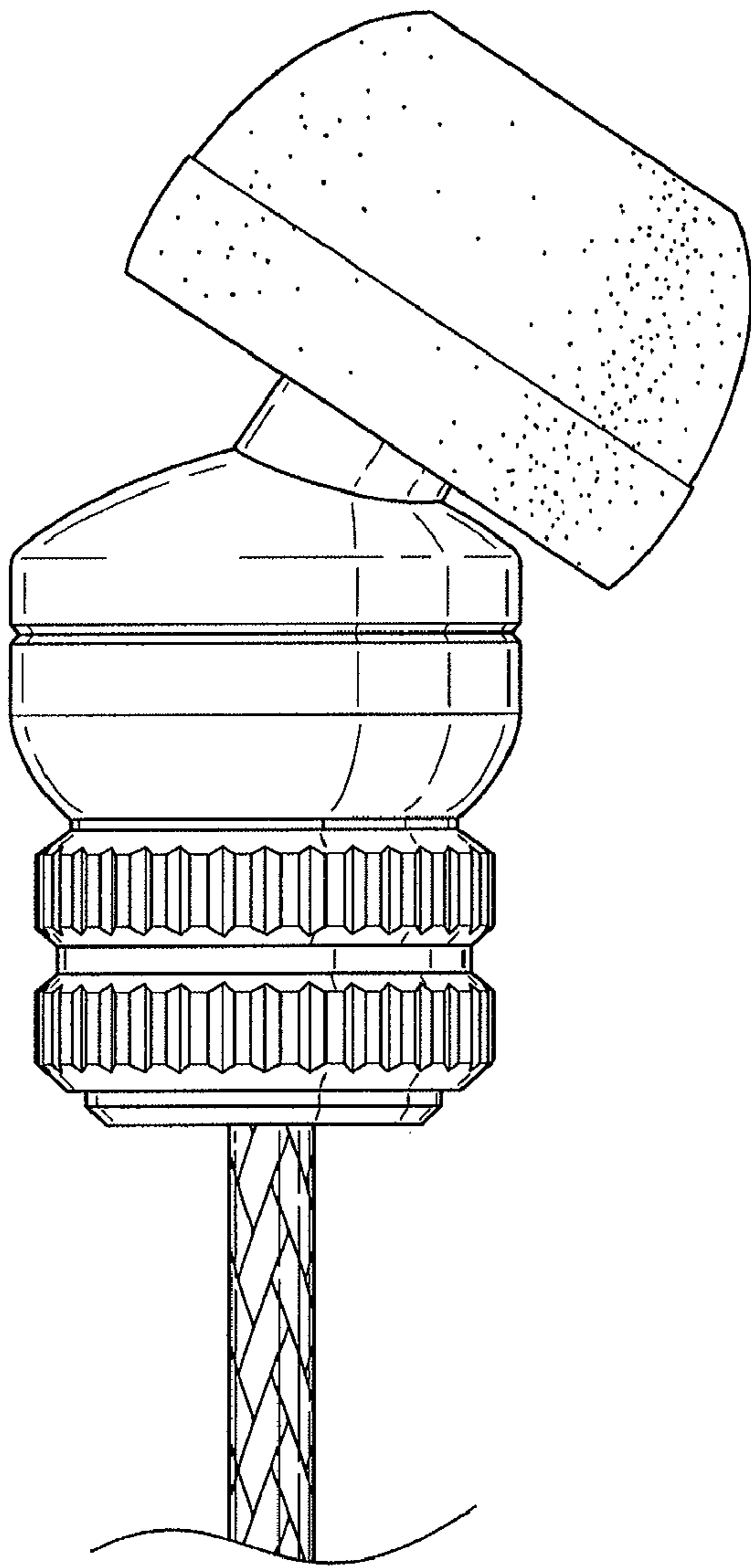


Fig. 7

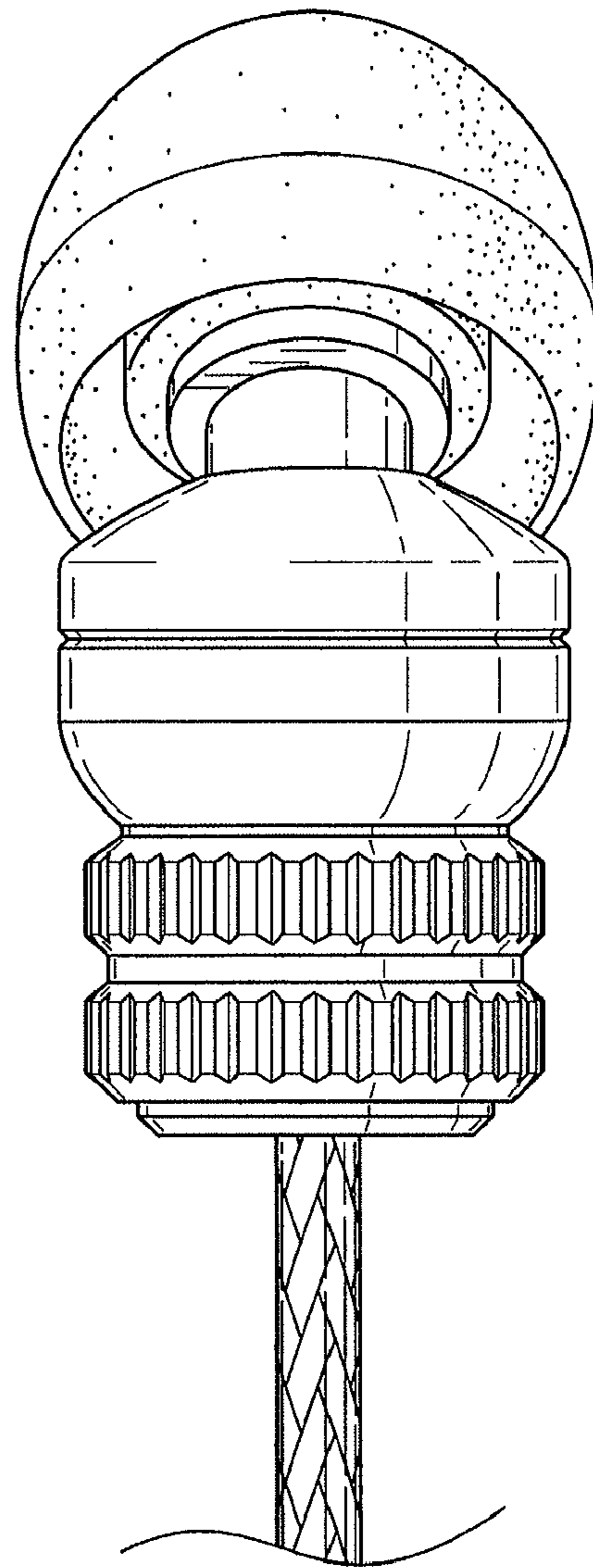


Fig. 8

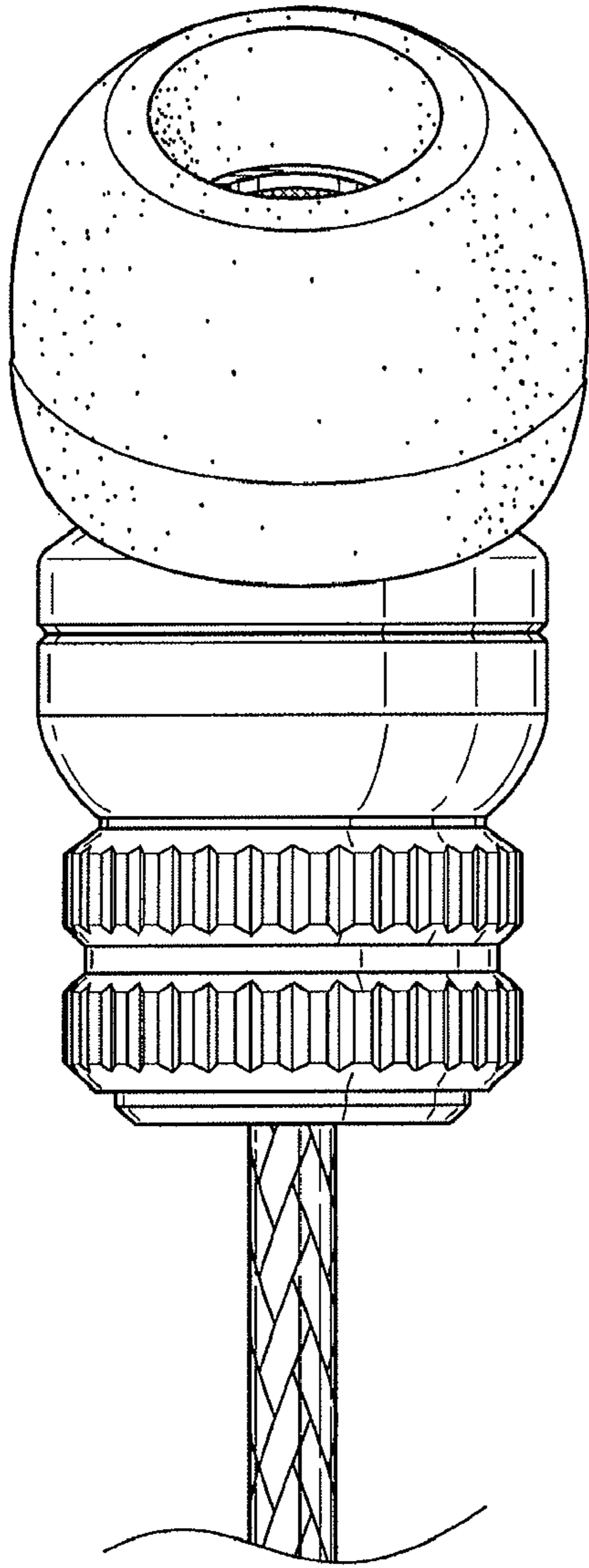


Fig. 9

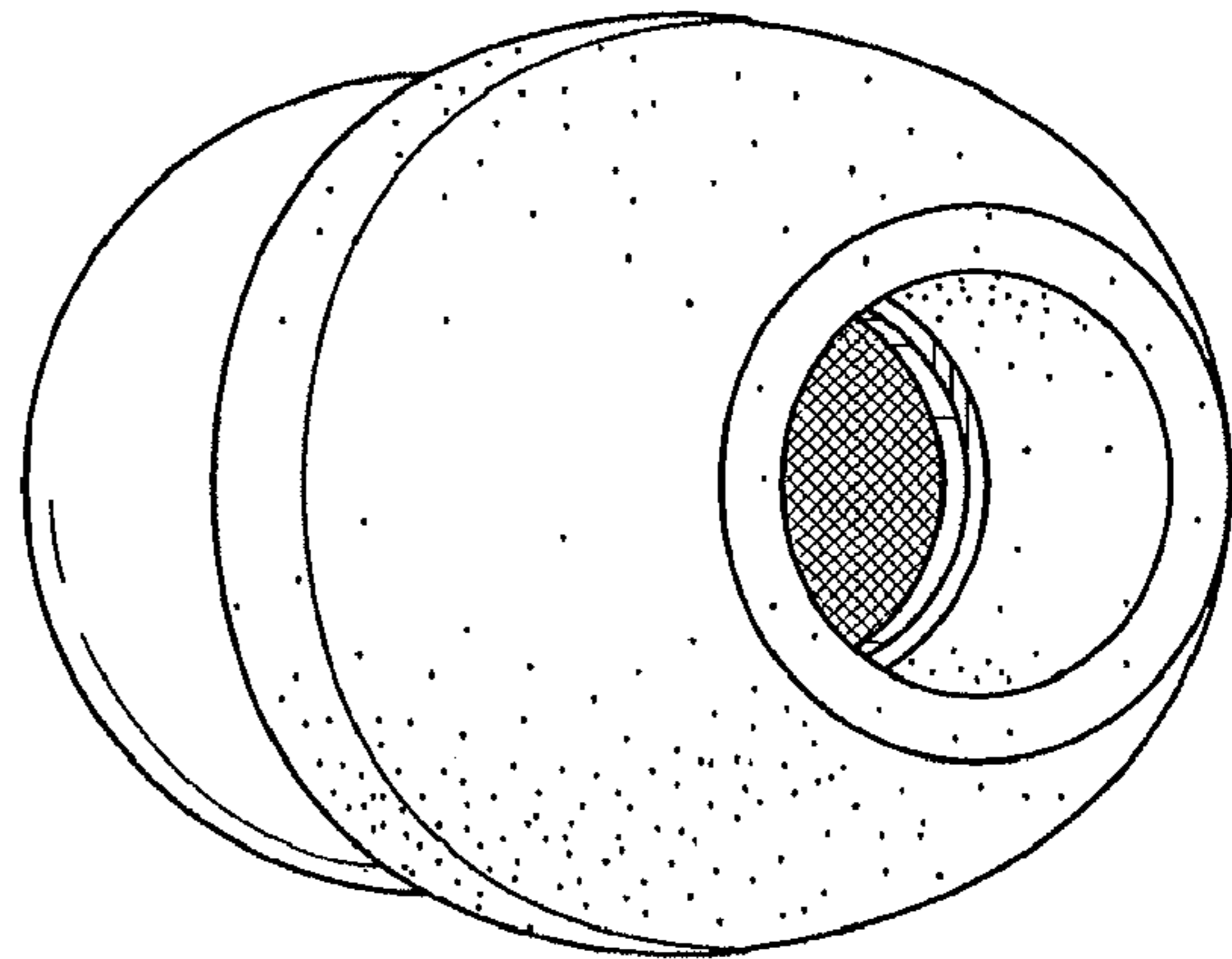


Fig. 10

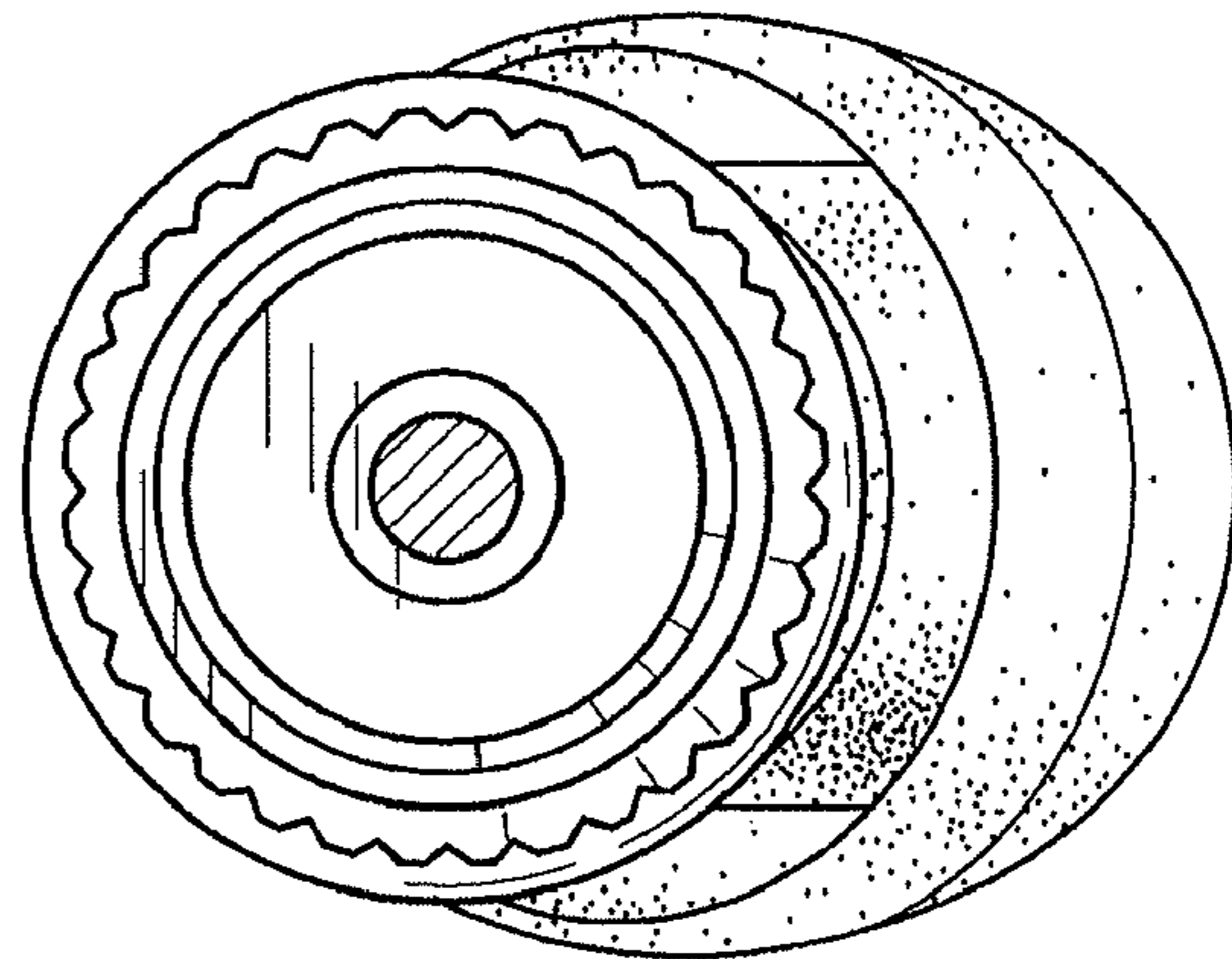


Fig. 11

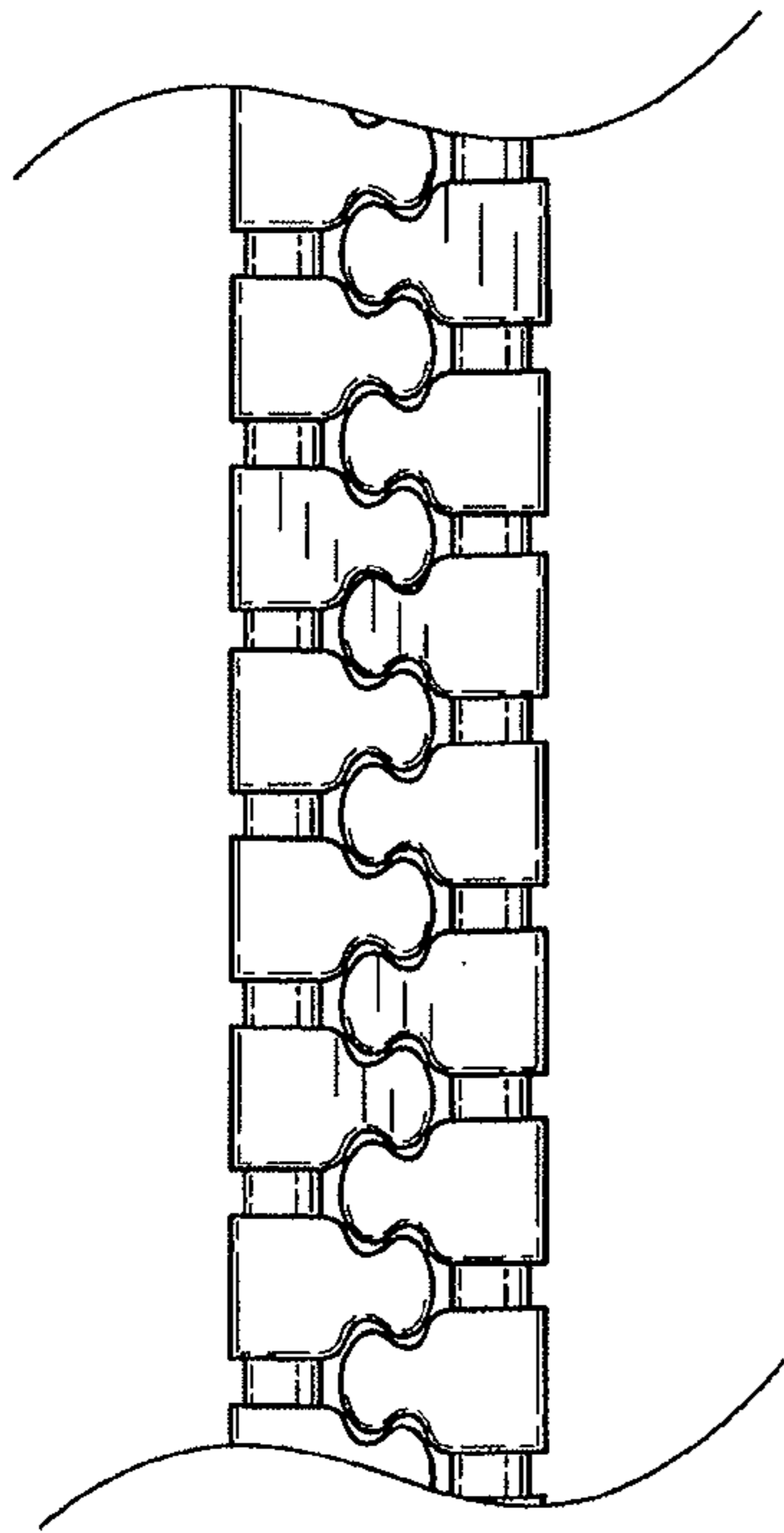


Fig. 12

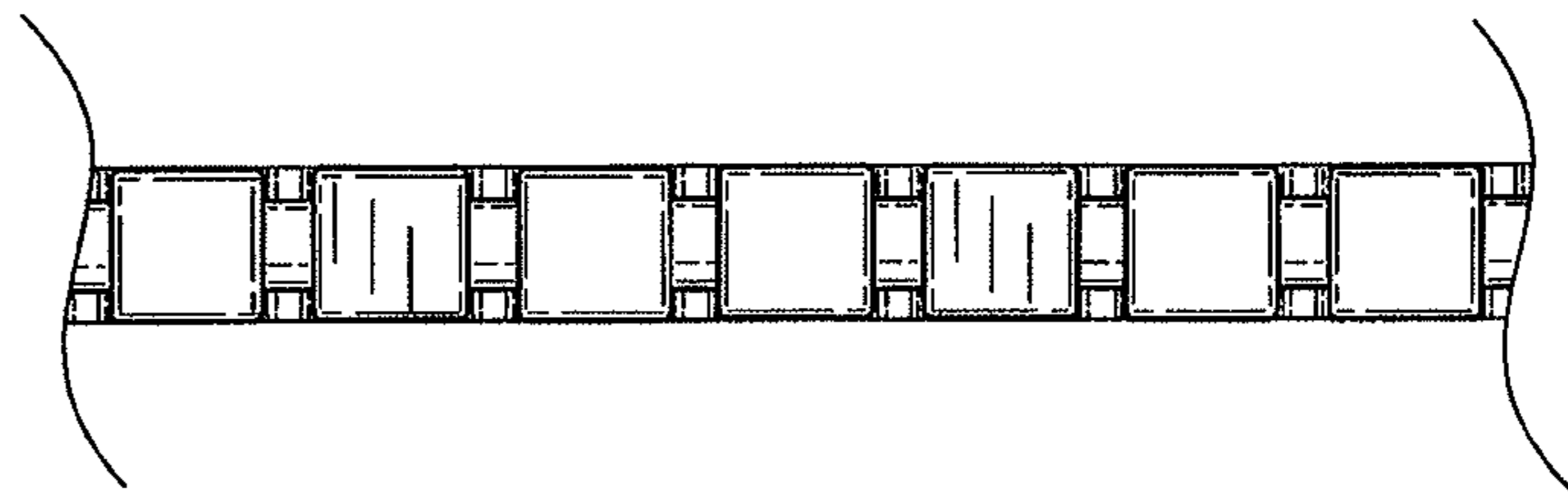


Fig. 13

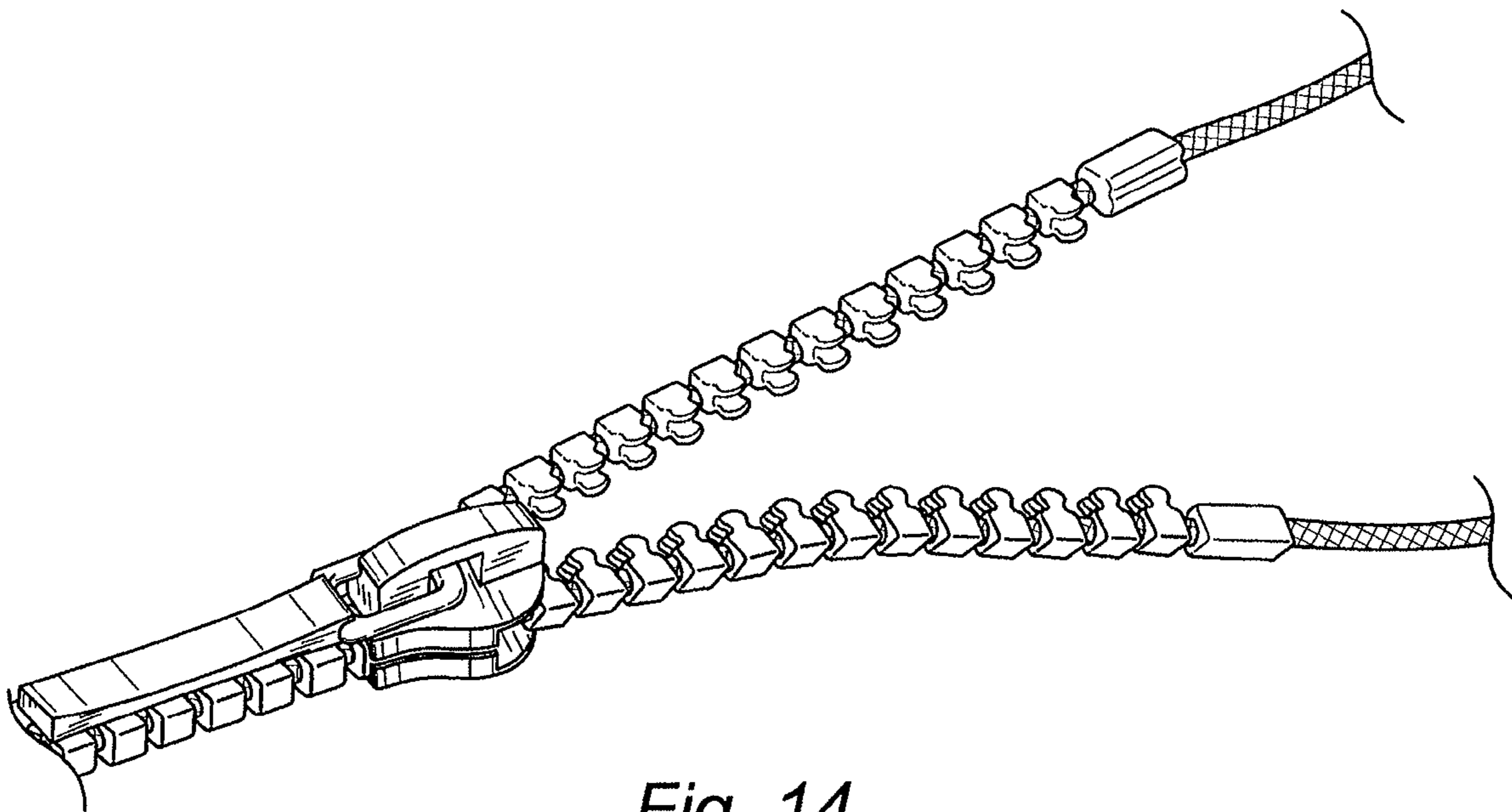


Fig. 14

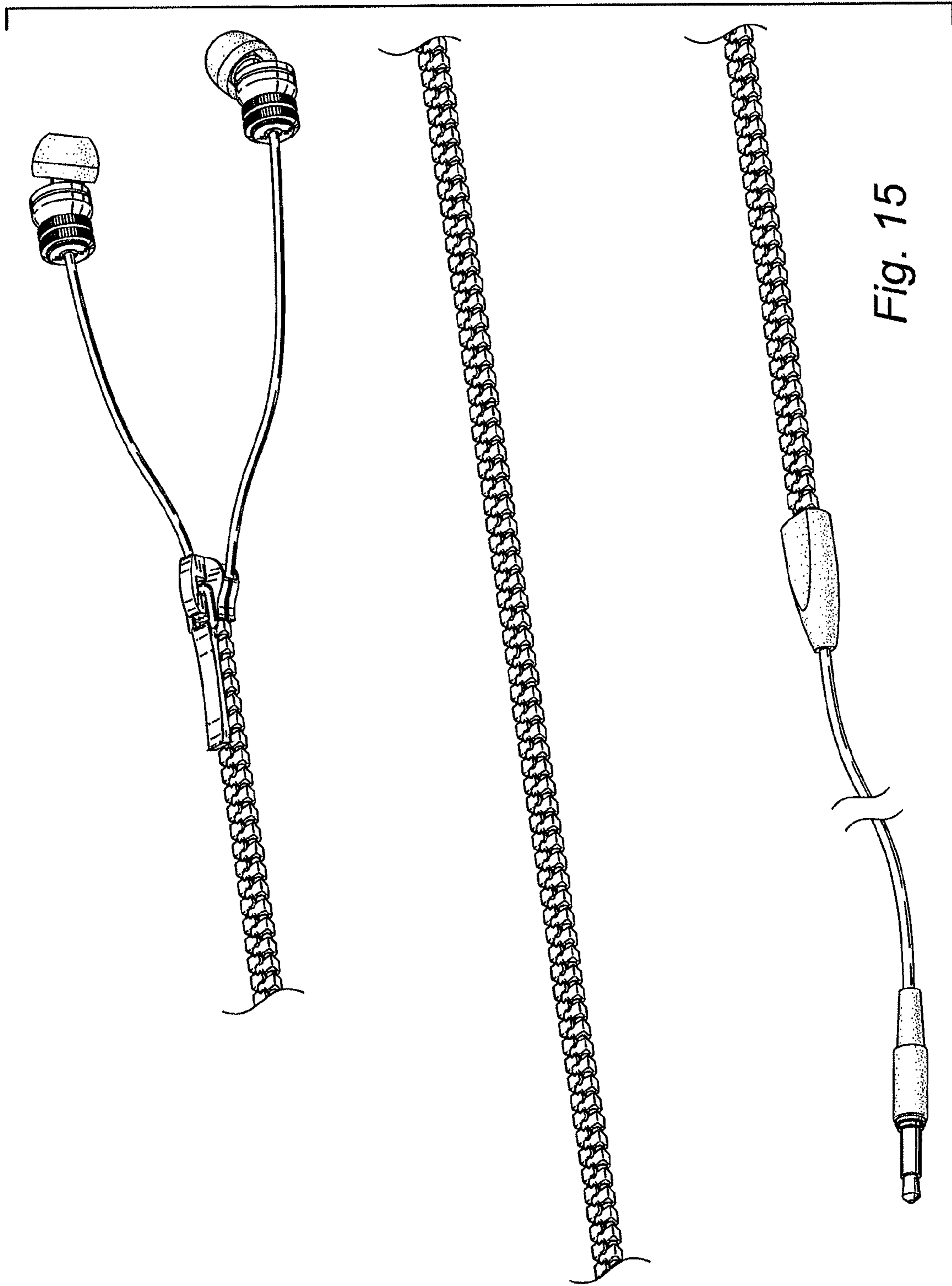


Fig. 15

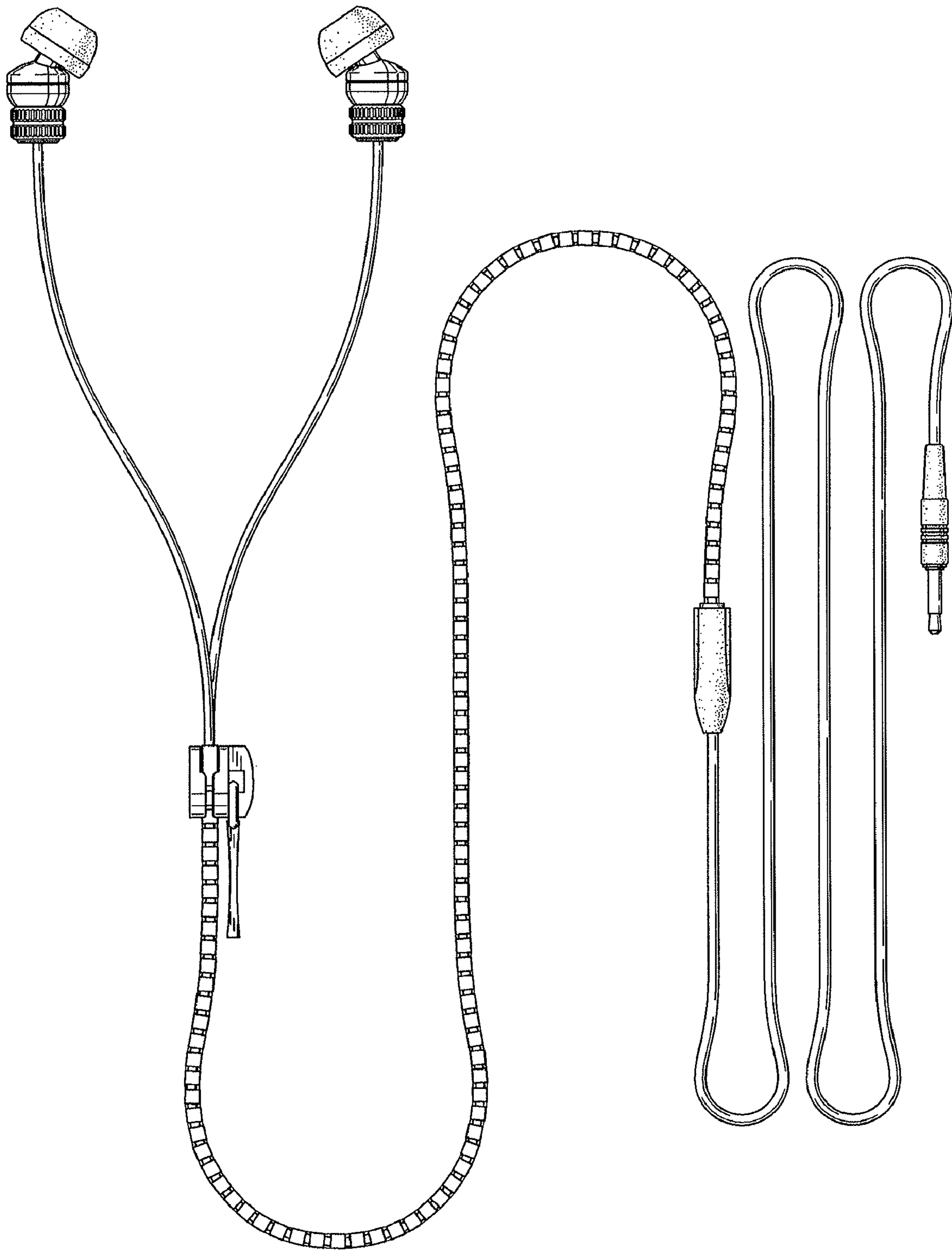


Fig. 16