



US00D652406S

(12) **United States Design Patent**
Lee et al.

(10) **Patent No.:** **US D652,406 S**
(45) **Date of Patent:** **** Jan. 17, 2012**

(54) **SET OF HEADPHONES**

(75) Inventors: **Noel Lee**, Las Vegas, NV (US);
Kendrew Lee, Tsing Yi (HK)

(73) Assignee: **Monster Cable Products, Inc.**,
Brisbane, CA (US)

(**) Term: **14 Years**

(21) Appl. No.: **29/382,649**

(22) Filed: **Jan. 5, 2011**

(51) **LOC (9) Cl.** **14-01**

(52) **U.S. Cl.** **D14/205**

(58) **Field of Classification Search** D14/205,
D14/206, 223; 181/129, 130, 135; 379/430,
379/431; 455/90.3, 575.2; D29/112; 2/209;
132/273; D28/41

See application file for complete search history.

(56) **References Cited**

U.S. PATENT DOCUMENTS

D286,874 S *	11/1986	Bertagna et al.	D14/205
D328,074 S *	7/1992	Yamazaki et al.	D14/205
D386,181 S *	11/1997	Fisher	D14/205
D512,981 S *	12/2005	Jacobson et al.	D14/205
7,072,483 B2 *	7/2006	Lenhard-Backhaus	381/383

D534,155 S *	12/2006	Obata	D14/205
D538,261 S *	3/2007	Taylor et al.	D14/205
D540,301 S *	4/2007	Obata	D14/205
D563,382 S *	3/2008	Wikel	D14/205
D591,263 S *	4/2009	Shimizu	D14/205
D593,995 S *	6/2009	Shimizu	D14/205
D600,674 S *	9/2009	Brennwald	D14/205
D603,371 S *	11/2009	Boateng et al.	D14/205
D625,705 S *	10/2010	Ohuri et al.	D14/205
D628,554 S *	12/2010	Tedja et al.	D14/205
D632,668 S *	2/2011	Brunner et al.	D14/205
D635,959 S *	4/2011	Hutchieson	D14/205
D637,176 S *	5/2011	Brunner et al.	D14/205

* cited by examiner

Primary Examiner — Paula Greene

(74) *Attorney, Agent, or Firm* — DLA Piper LLP (US)

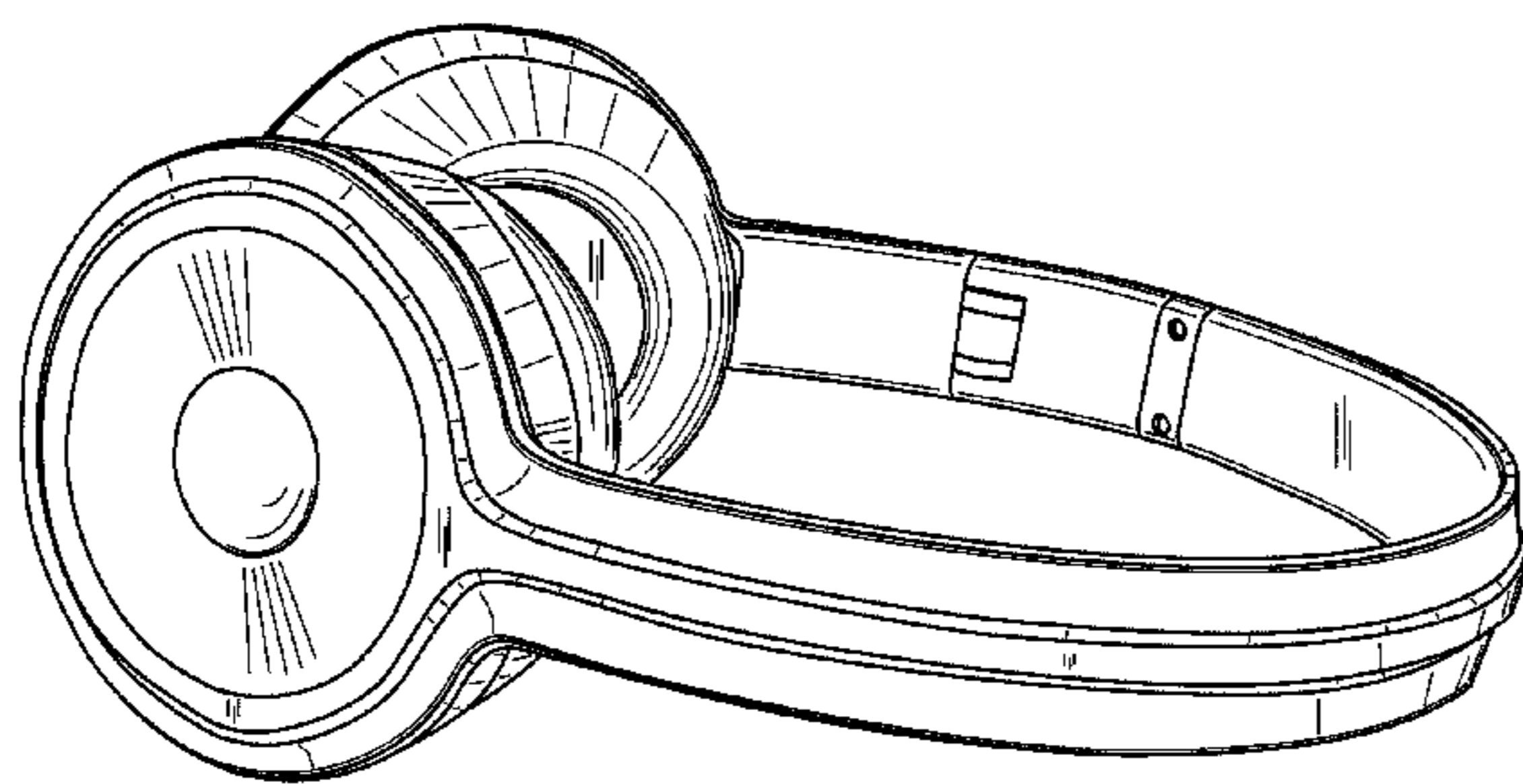
(57) **CLAIM**

We claim the ornamental design for a set of headphones, as shown and described.

DESCRIPTION

FIG. 1 is a perspective view of a set of headphones showing our new design, the opposite side is a mirror image;
FIG. 2 is a top view of the set of headphones;
FIG. 3 is a bottom view of the set of headphones;
FIG. 4 is a back view of the set of headphones; and,
FIG. 5 is a right side view of the set of headphones.

1 Claim, 5 Drawing Sheets



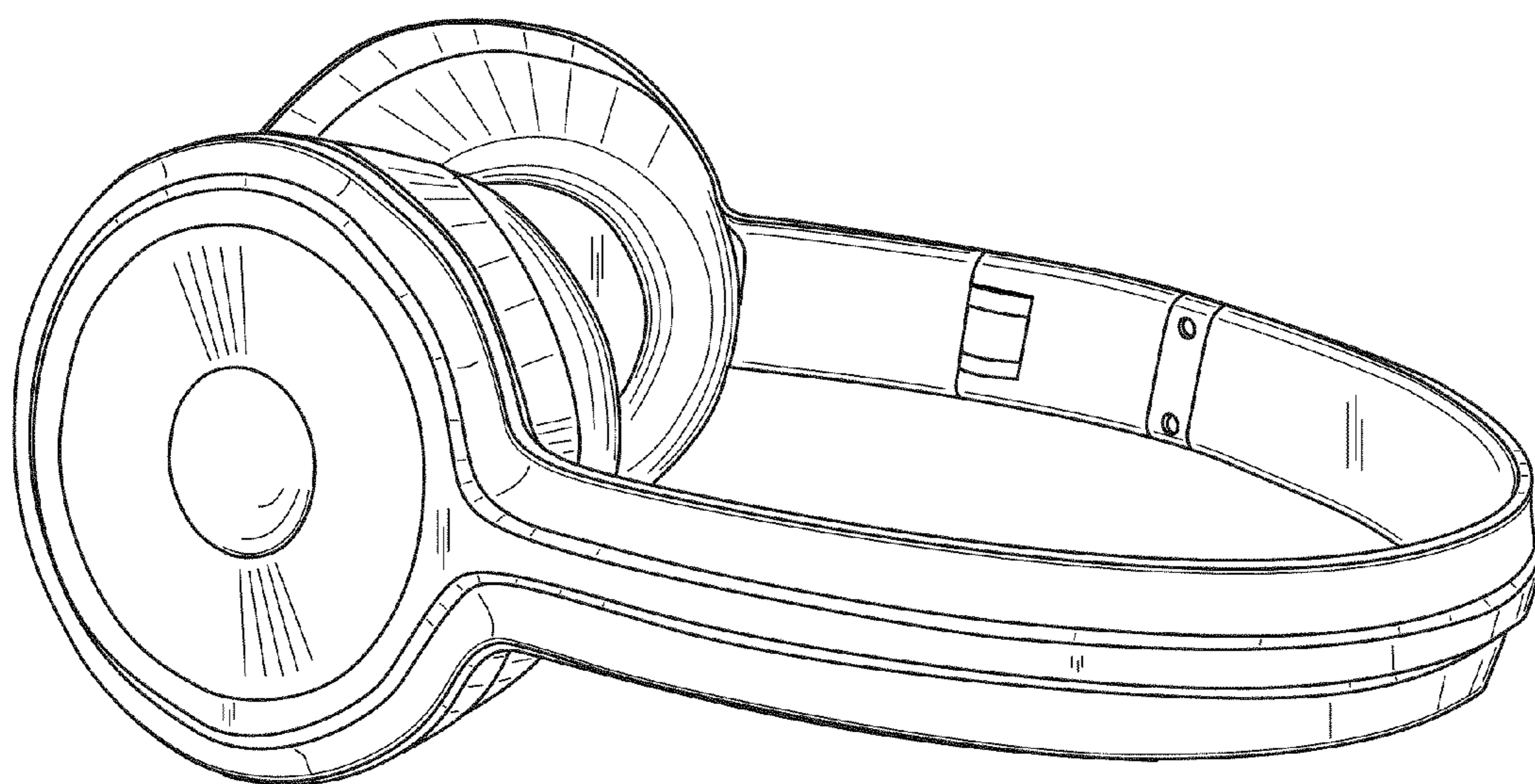


FIG. 1

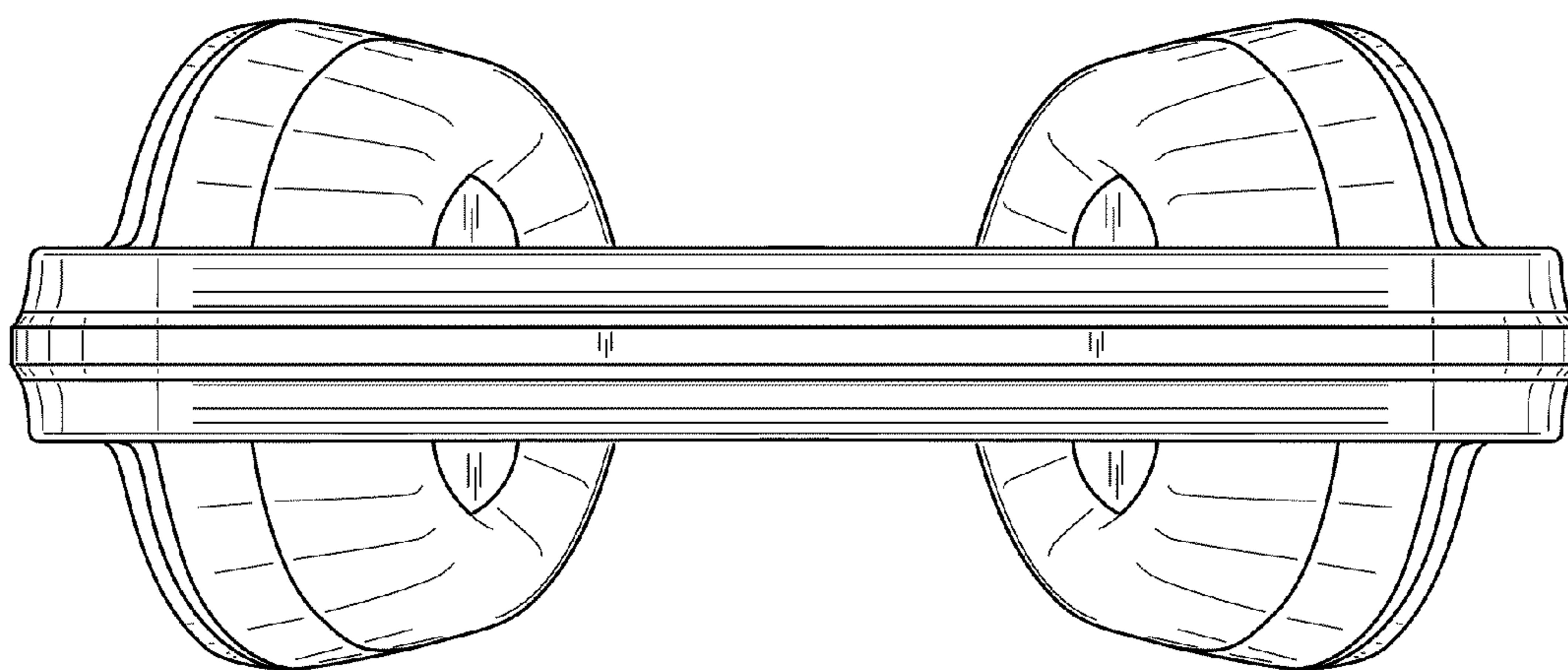


FIG. 2

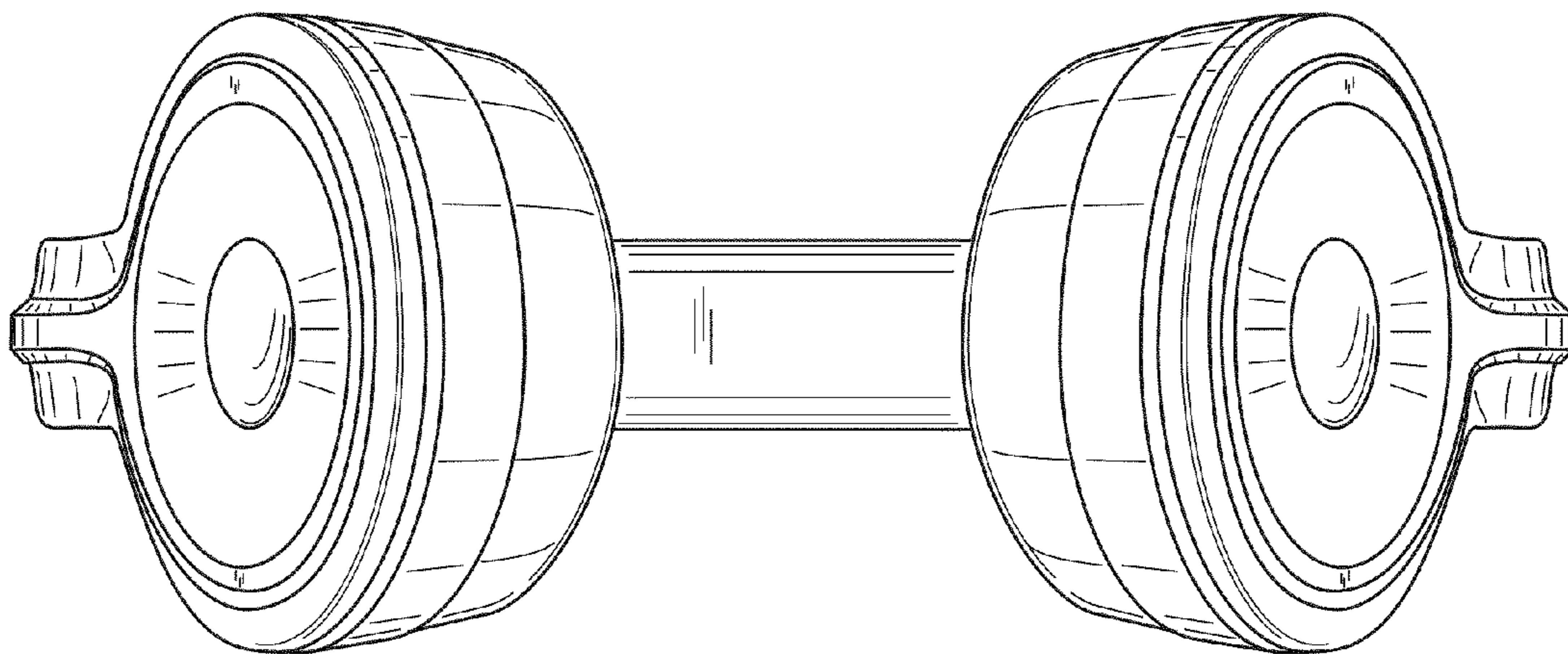


FIG. 3



FIG. 4

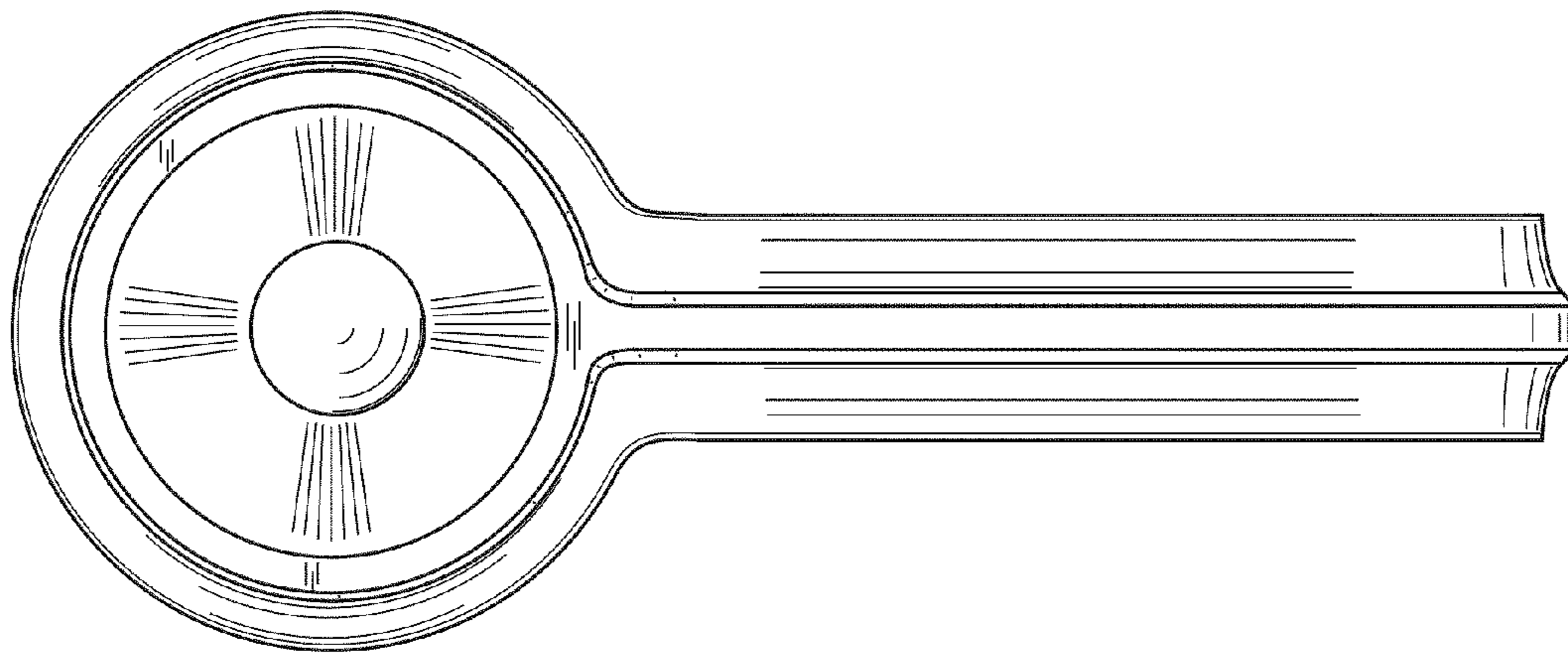


FIG. 5