



US00D652405S

(12) **United States Design Patent**
Lee et al.

(10) **Patent No.:** **US D652,405 S**
(45) **Date of Patent:** **** Jan. 17, 2012**

(54) **PAIR OF HEADPHONES**

(75) Inventors: **Noel Lee**, Las Vegas, NV (US); **Jacky Hsiung**, San Jose, CA (US)

(73) Assignee: **Monster Cable Products, Inc.**,
Brisbane, CA (US)

(**) Term: **14 Years**

(21) Appl. No.: **29/369,168**

(22) Filed: **Sep. 2, 2010**

(51) **LOC (9) Cl.** **14-01**

(52) **U.S. Cl.** **D14/205**

(58) **Field of Classification Search** D14/205,
D14/223; D29/112; 181/129, 130, 135;
381/380, 381; 379/430, 431, 433.01; 455/90.3,
455/569.1, 575.1

See application file for complete search history.

(56) **References Cited**

U.S. PATENT DOCUMENTS

D386,181 S	*	11/1997	Fisher	D14/205
D422,592 S	*	4/2000	Deguchi	D14/205
D457,874 S	*	5/2002	Yoneda	D14/205
D512,981 S	*	12/2005	Jacobson et al.	D14/205
D538,261 S	*	3/2007	Taylor et al.	D14/205
D576,149 S	*	9/2008	Malik et al.	D14/205
D579,000 S	*	10/2008	Rath	D14/205
D594,441 S		6/2009	Lee et al.		
D598,901 S		8/2009	Lee et al.		

D599,781 S		9/2009	Lee et al.		
D600,675 S		9/2009	Lee et al.		
D617,770 S	*	6/2010	Sanguinetti et al.	D14/205
D628,554 S	*	12/2010	Tedja et al.	D14/205
D632,668 S	*	2/2011	Brunner et al.	D14/205
D635,959 S	*	4/2011	Hutchieson	D14/205
D637,176 S	*	5/2011	Brunner et al.	D14/205
D638,397 S	*	5/2011	McManigal	D14/205

* cited by examiner

Primary Examiner — Paula Greene

(74) *Attorney, Agent, or Firm* — LaRiviere, Grubman & Payne, LLP

(57) **CLAIM**

The ornamental design for a pair of headphones, as shown and described.

DESCRIPTION

FIG. 1 is a perspective view of a pair of headphones, showing our design;

FIG. 2 is an opposing perspective view thereof;

FIG. 3 is a front view thereof;

FIG. 4 is a rear view thereof;

FIG. 5 is a side view thereof;

FIG. 6 is an opposing view thereof;

FIG. 7 is a top view thereof; and,

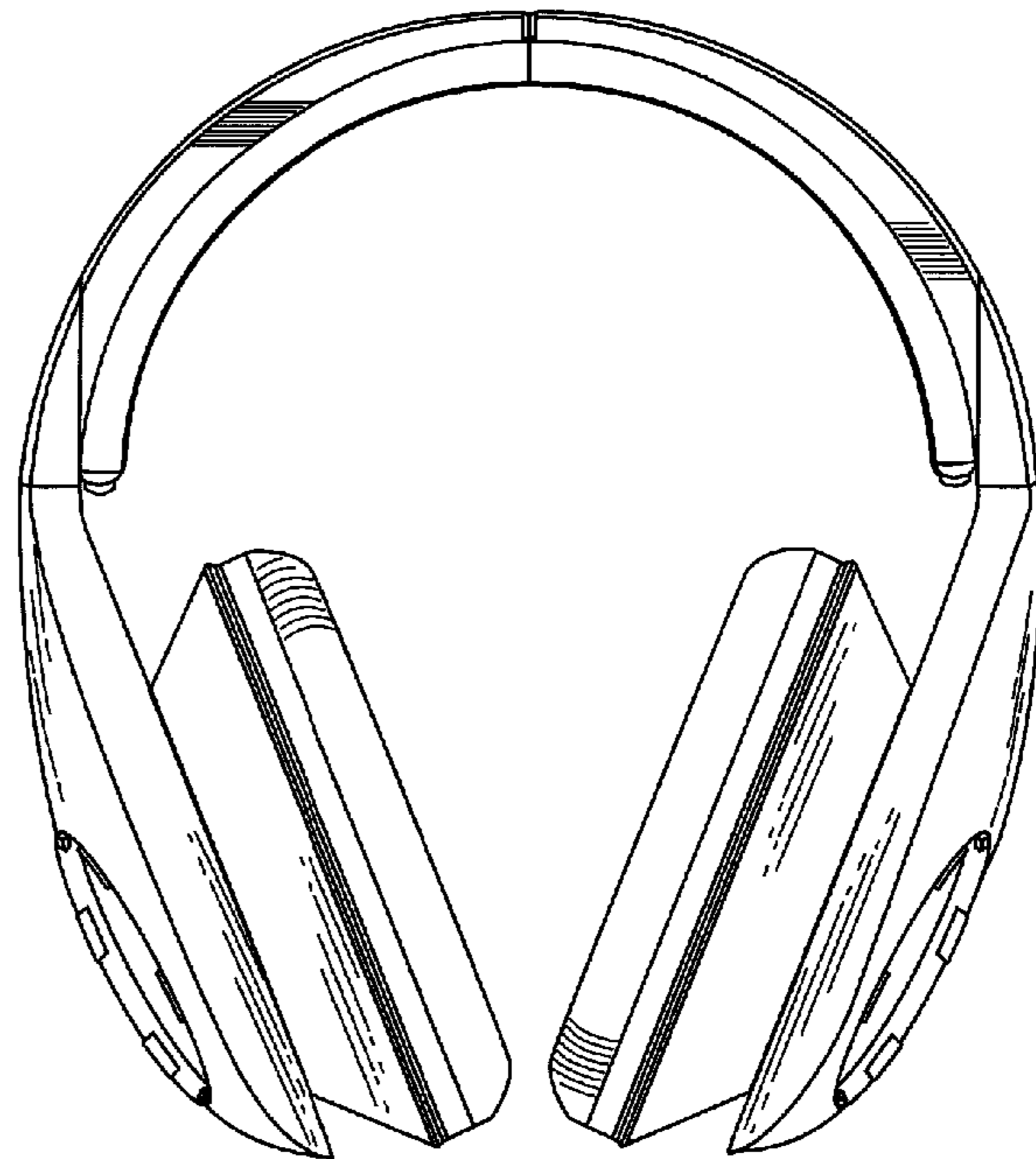
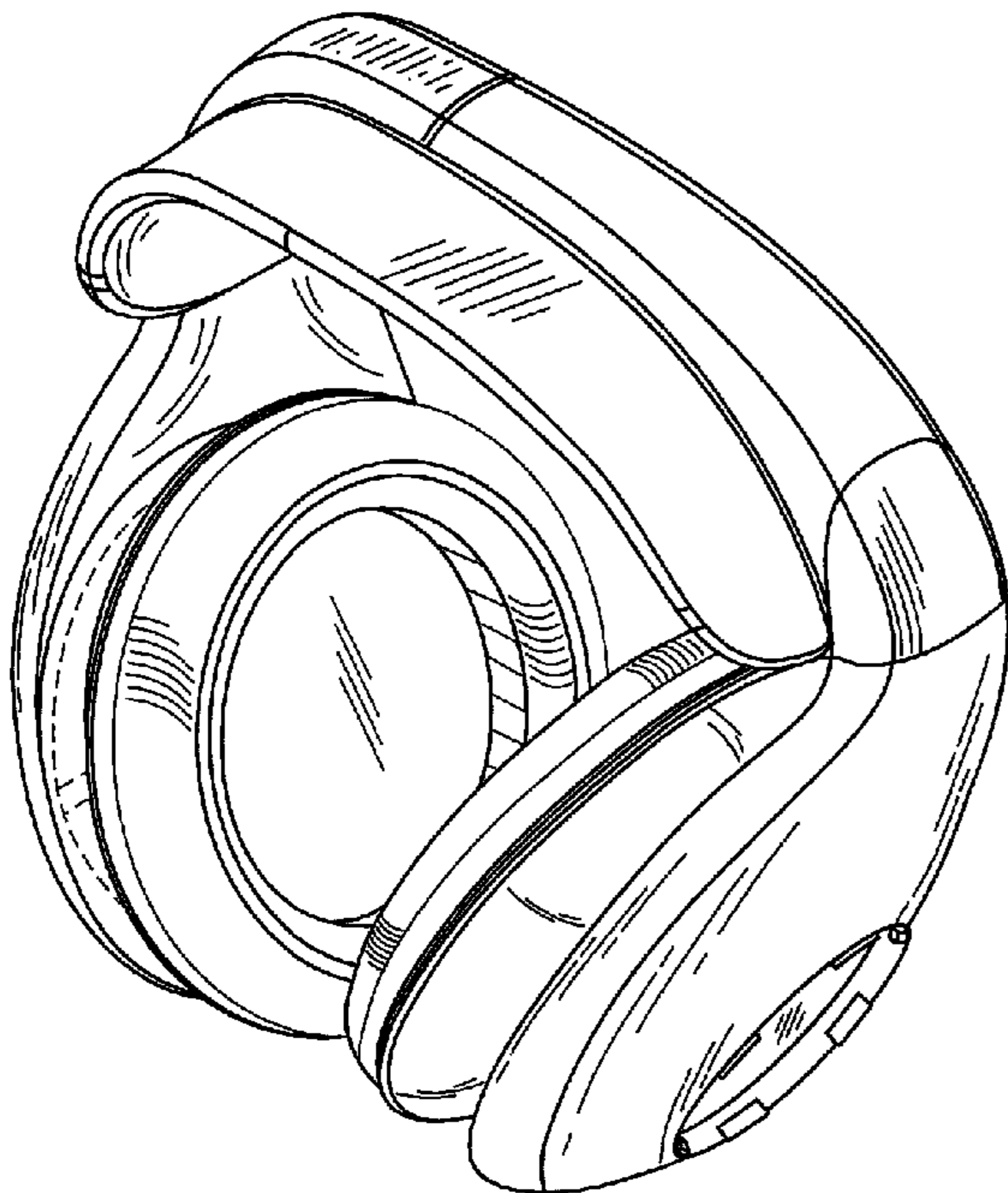
FIG. 8 is a bottom view thereof.

The broken lines showing the environment are for illustrative purposes only.

The broken lines form no part of the claimed design.

The bottom of the headband is unornamented.

1 Claim, 6 Drawing Sheets



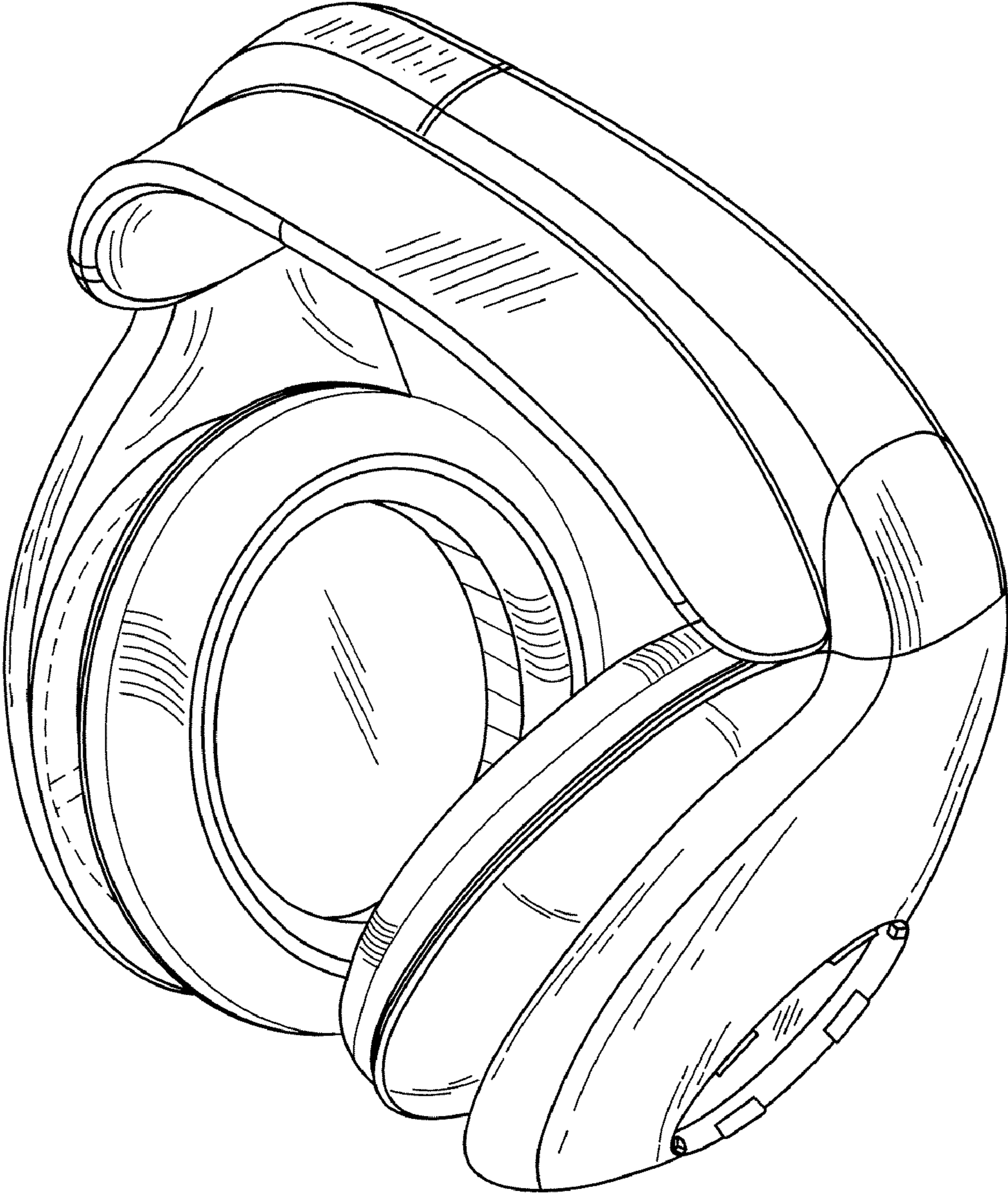


FIG. 1



FIG. 2

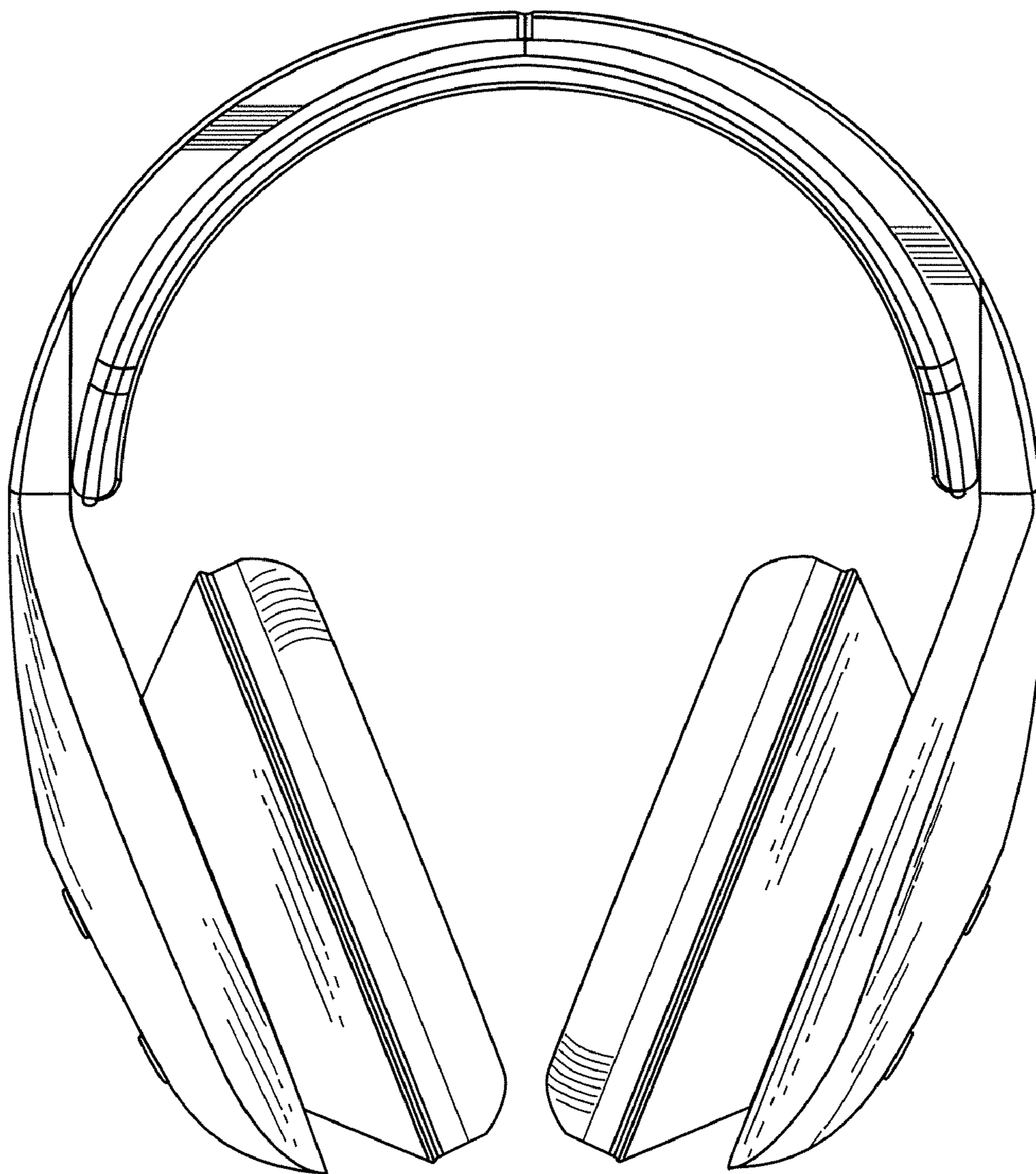


FIG. 3



FIG. 4

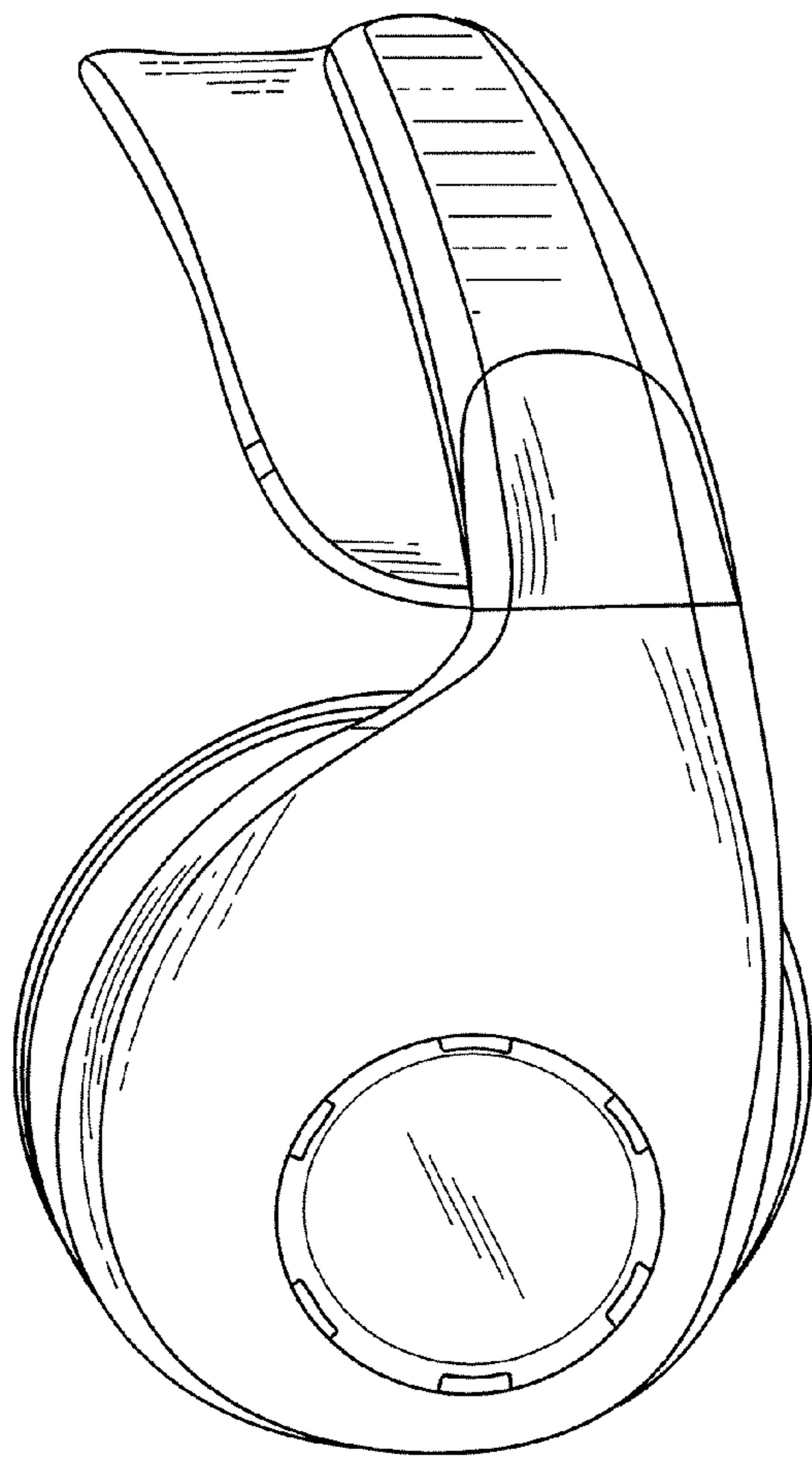


FIG. 5

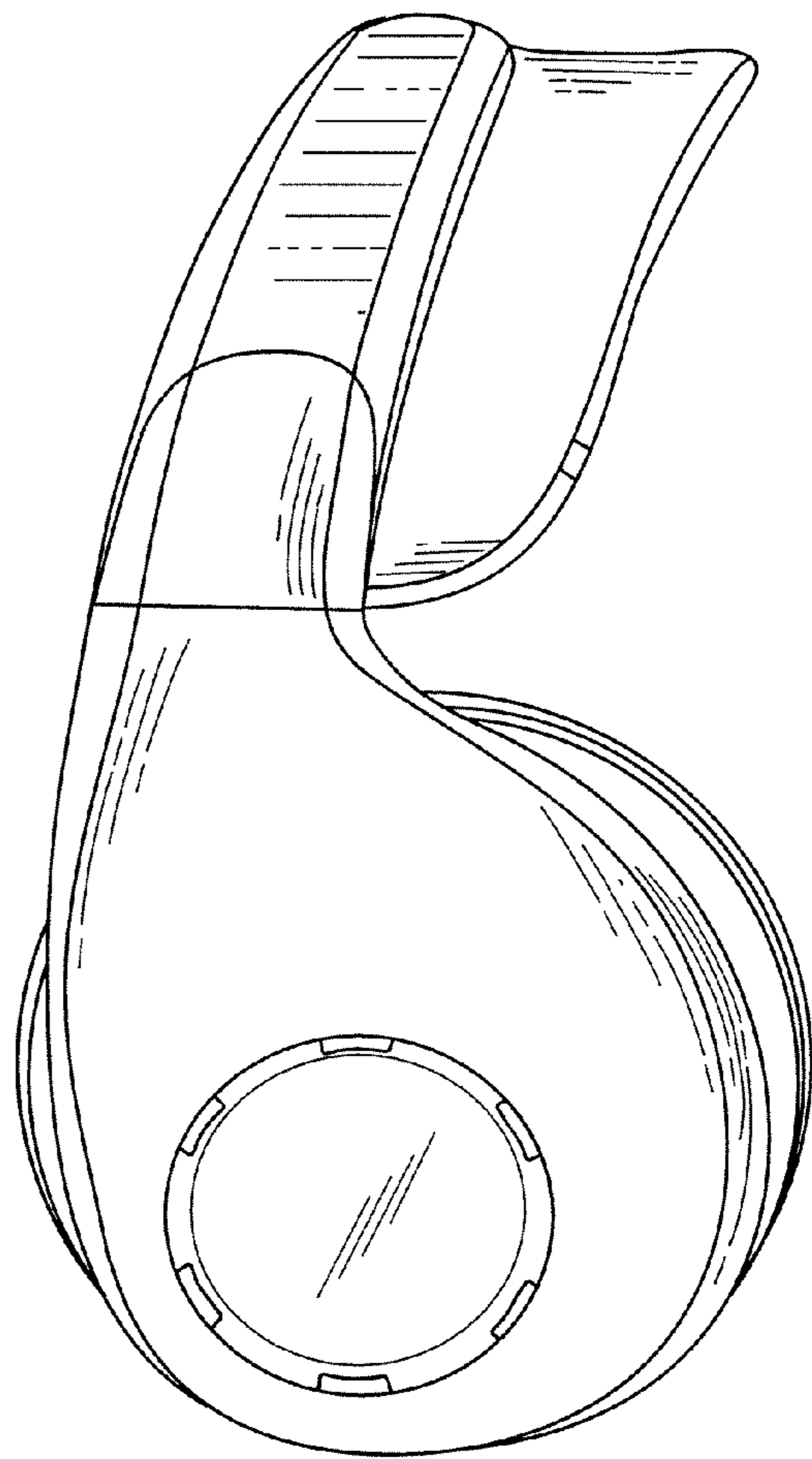


FIG. 6

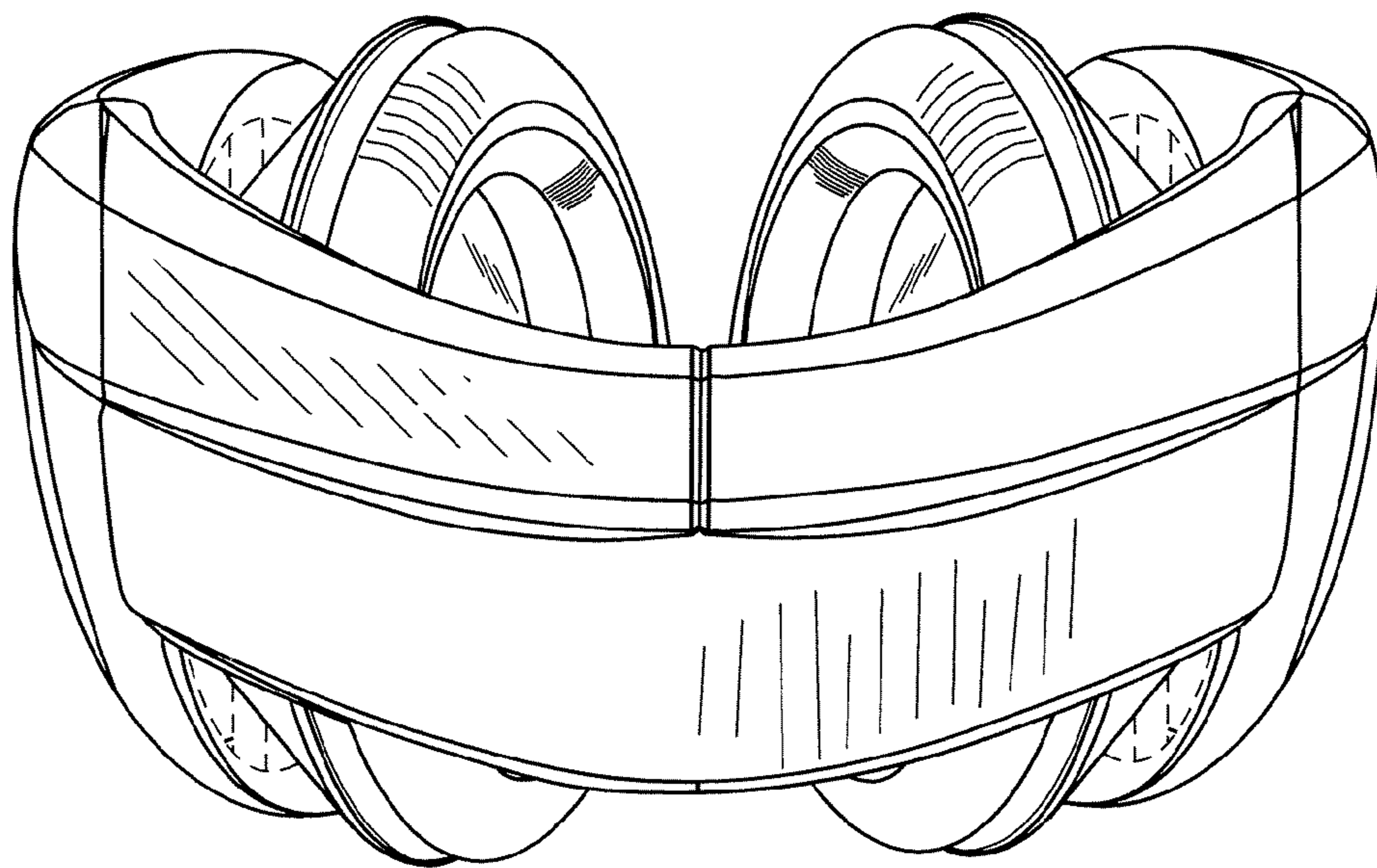


FIG. 7

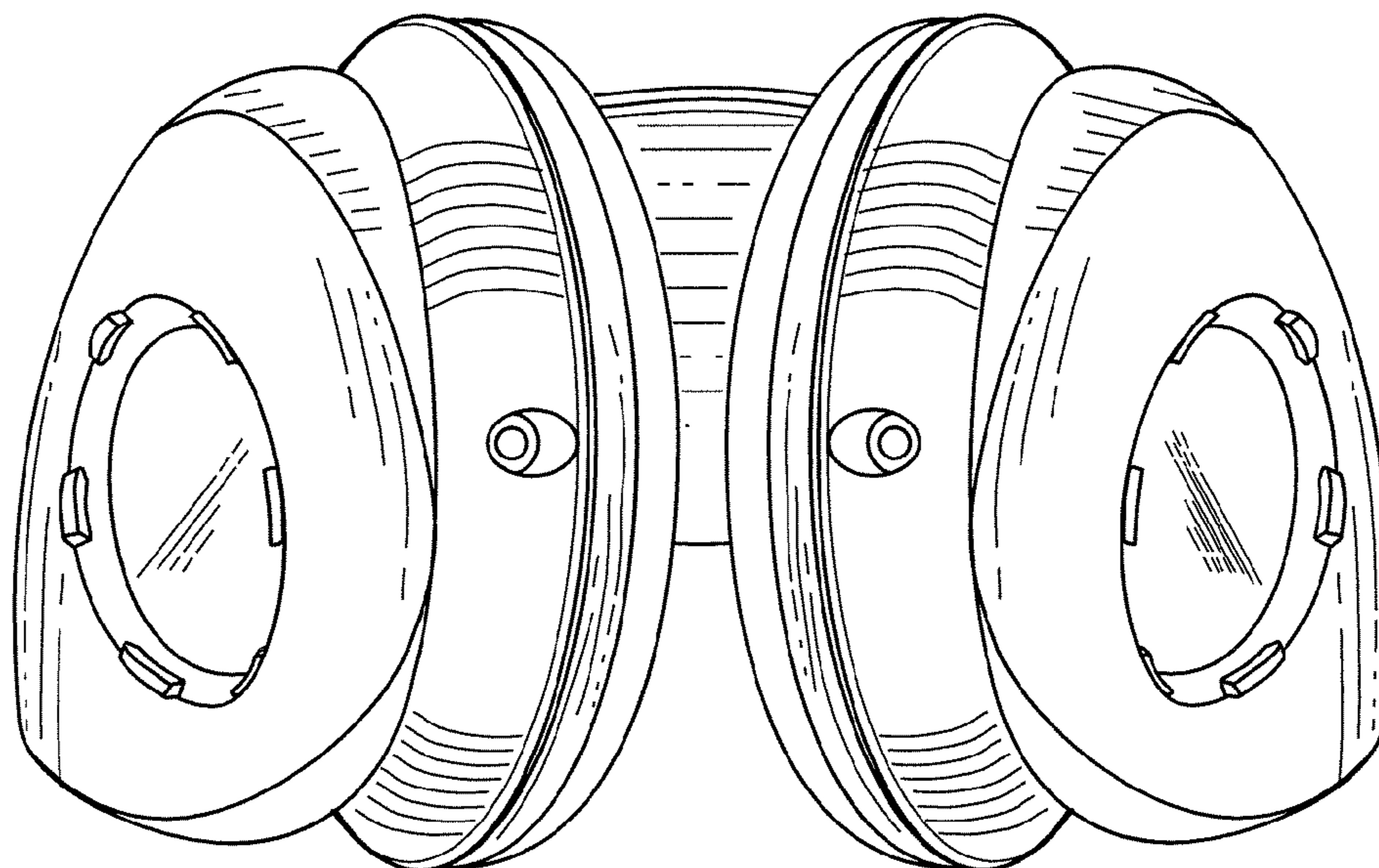


FIG. 8