



US00D652399S

(12) **United States Design Patent**
Chiu

(10) **Patent No.:** **US D652,399 S**
(45) **Date of Patent:** **** Jan. 17, 2012**

(54) **DISPLAY**

(75) Inventor: **Yi-Chung Chiu**, Taoyuan County (TW)

(73) Assignee: **Hannspree, Inc.**, New Taipei (TW)

(**) Term: **14 Years**

(21) Appl. No.: **29/399,757**

(22) Filed: **Aug. 18, 2011**

(51) **LOC (9) Cl.** **14-03**

(52) **U.S. Cl.** **D14/126**

(58) **Field of Classification Search** D14/125-134,
D14/239, 371, 136, 374-377, 440, 450, 448,
D14/336, 342; 312/7.2; 348/836, 838, 180,
348/184, 325, 739; 341/12; 248/917-924,
248/465; 345/104, 133, 156, 168, 87, 173;
720/605, 669, 600, 655; 369/99, 197; 455/344,
455/347; D21/329, 515, 577, 622, 333, 433,
D21/448, 452, 450, 331; D6/477, 479, 300;
273/148 B; 446/484, 175, 356; D10/15,
D10/26

See application file for complete search history.

(56) **References Cited**

U.S. PATENT DOCUMENTS

5,000,511	A *	3/1991	Shichijo et al.	297/188.05
5,179,447	A *	1/1993	Lain	312/7.2
5,246,240	A *	9/1993	Romich et al.	280/304.1
D387,345	S *	12/1997	Rosen	D14/132
D425,036	S *	5/2000	Copus et al.	D14/375
D460,055	S *	7/2002	Rosen	D14/126
7,065,319	B1 *	6/2006	Hartley	434/307 R
7,261,266	B2 *	8/2007	Satterfield	248/284.1
D598,917	S *	8/2009	Luber	D14/375
D607,457	S *	1/2010	Hui et al.	D14/434

* cited by examiner

Primary Examiner — Raphael Barkai

(74) *Attorney, Agent, or Firm* — Morris Manning & Martin LLP; Tim Tingkang Xia, Esq.

(57) **CLAIM**

The ornamental design for a display, as shown and described.

DESCRIPTION

FIG. 1 is a front perspective view of a display showing the design;

FIG. 2 is a front view thereof;

FIG. 3 is a rear view thereof;

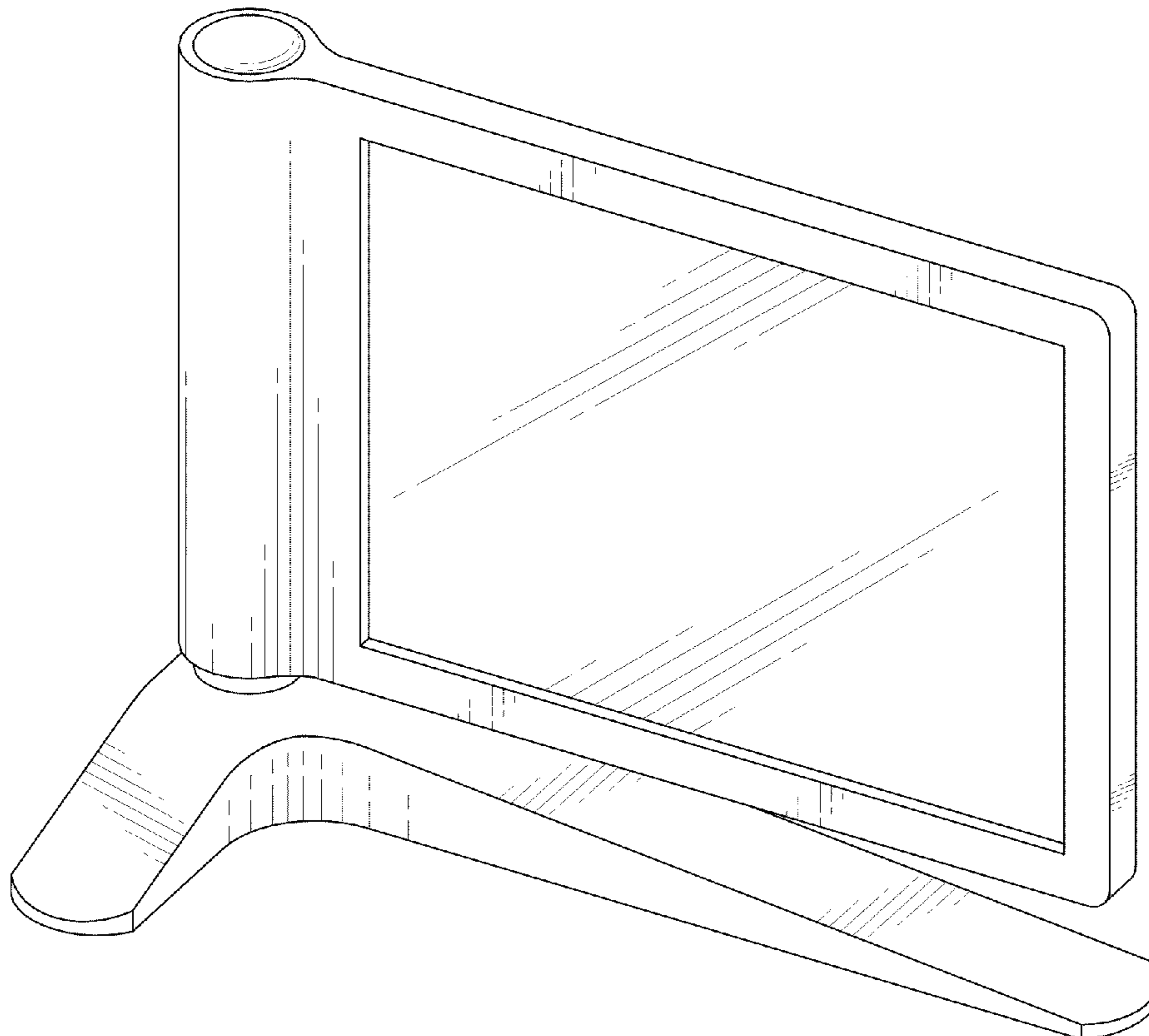
FIG. 4 is a left side view thereof;

FIG. 5 is a right side view thereof;

FIG. 6 is a top view thereof; and,

FIG. 7 is a bottom view thereof.

1 Claim, 7 Drawing Sheets



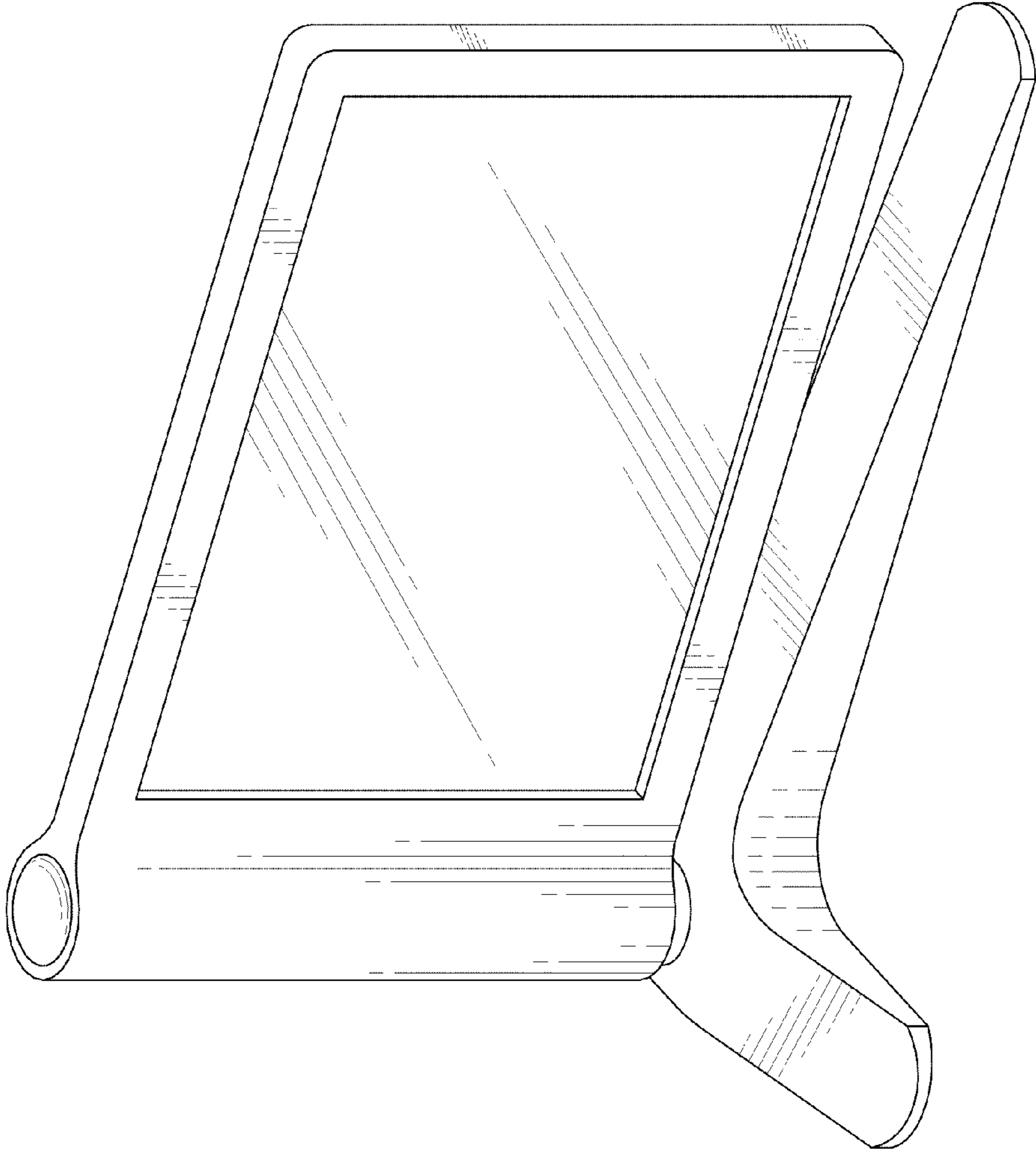


Fig. 1

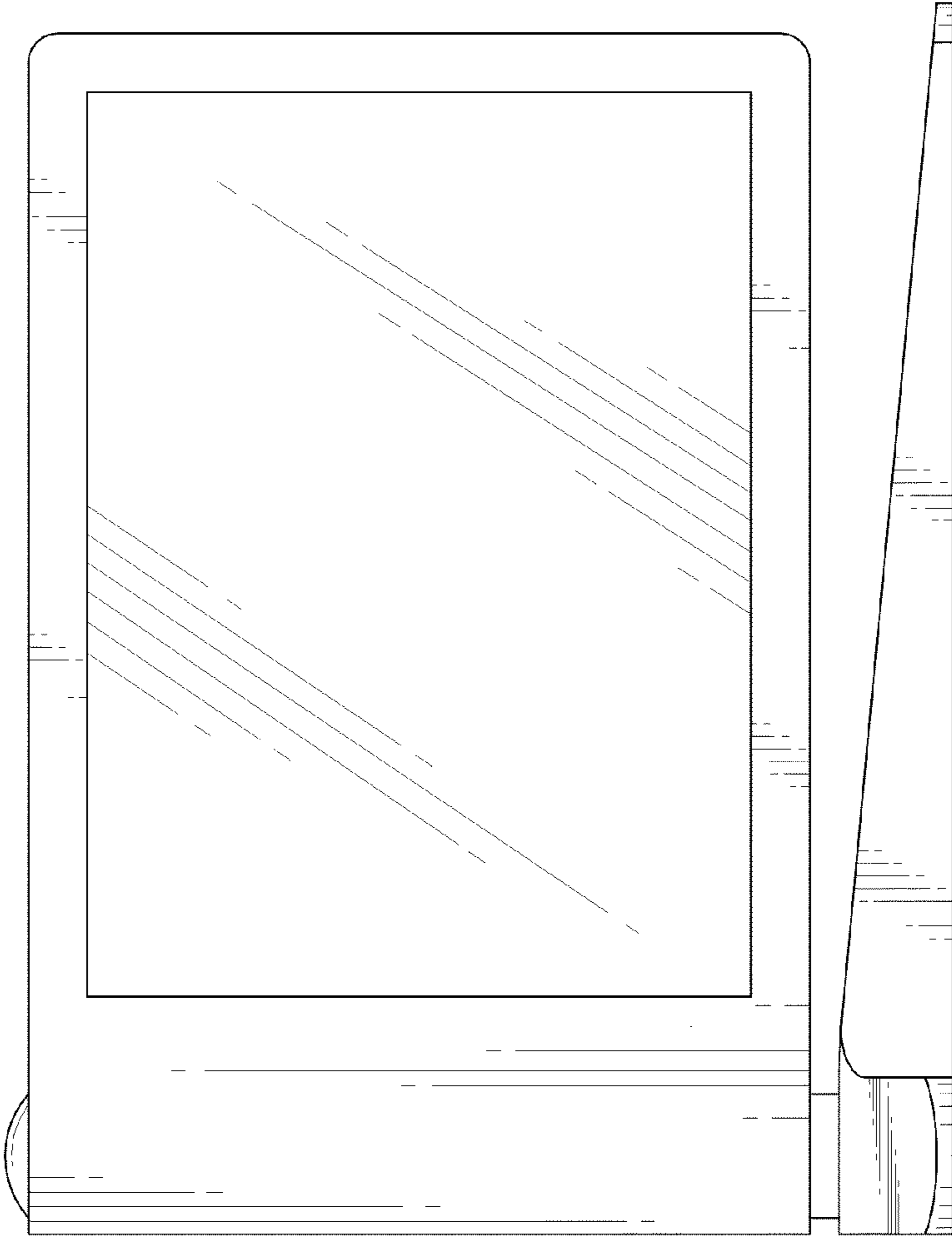


Fig. 2

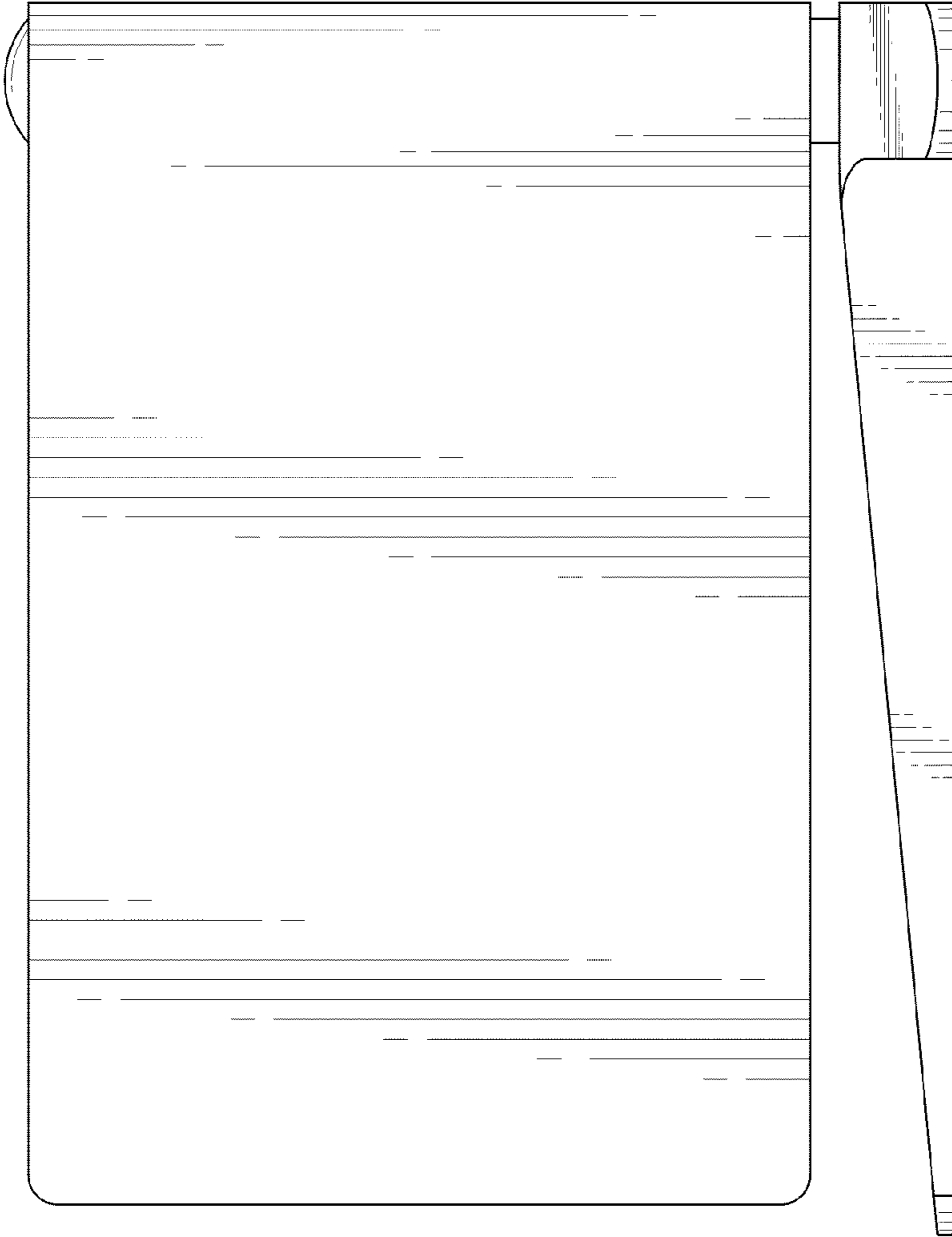


Fig. 3

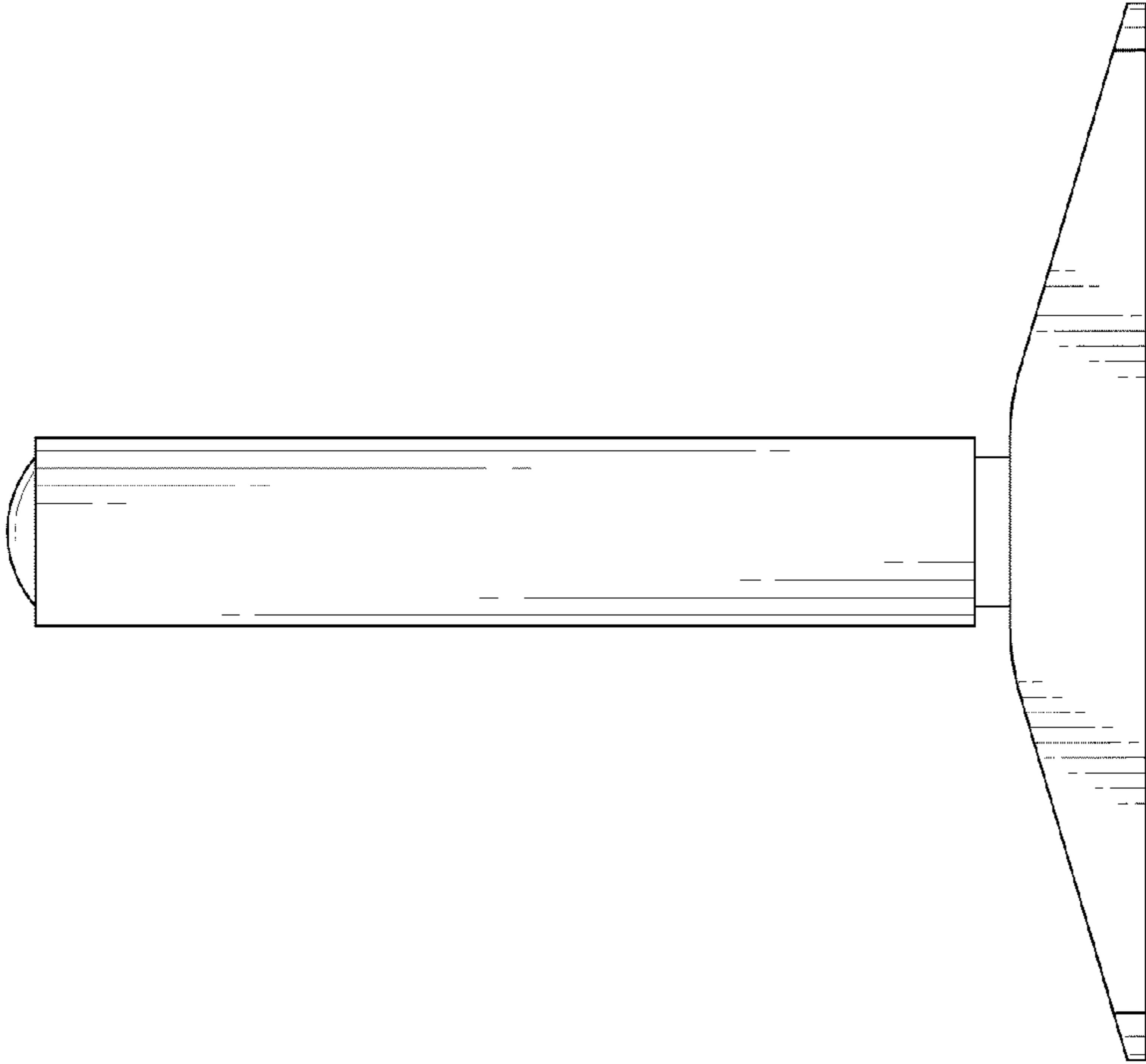


Fig. 4

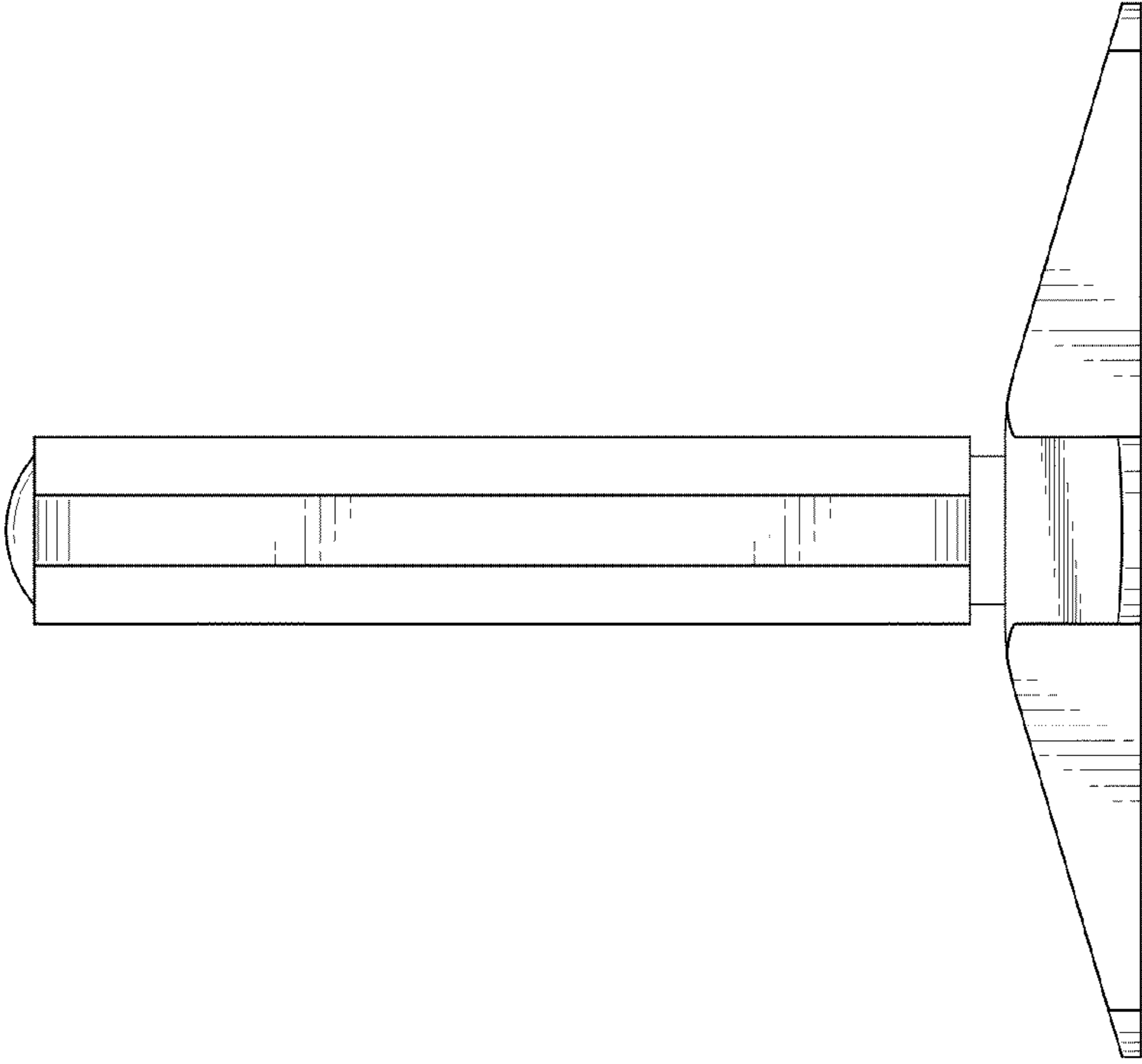


Fig. 5

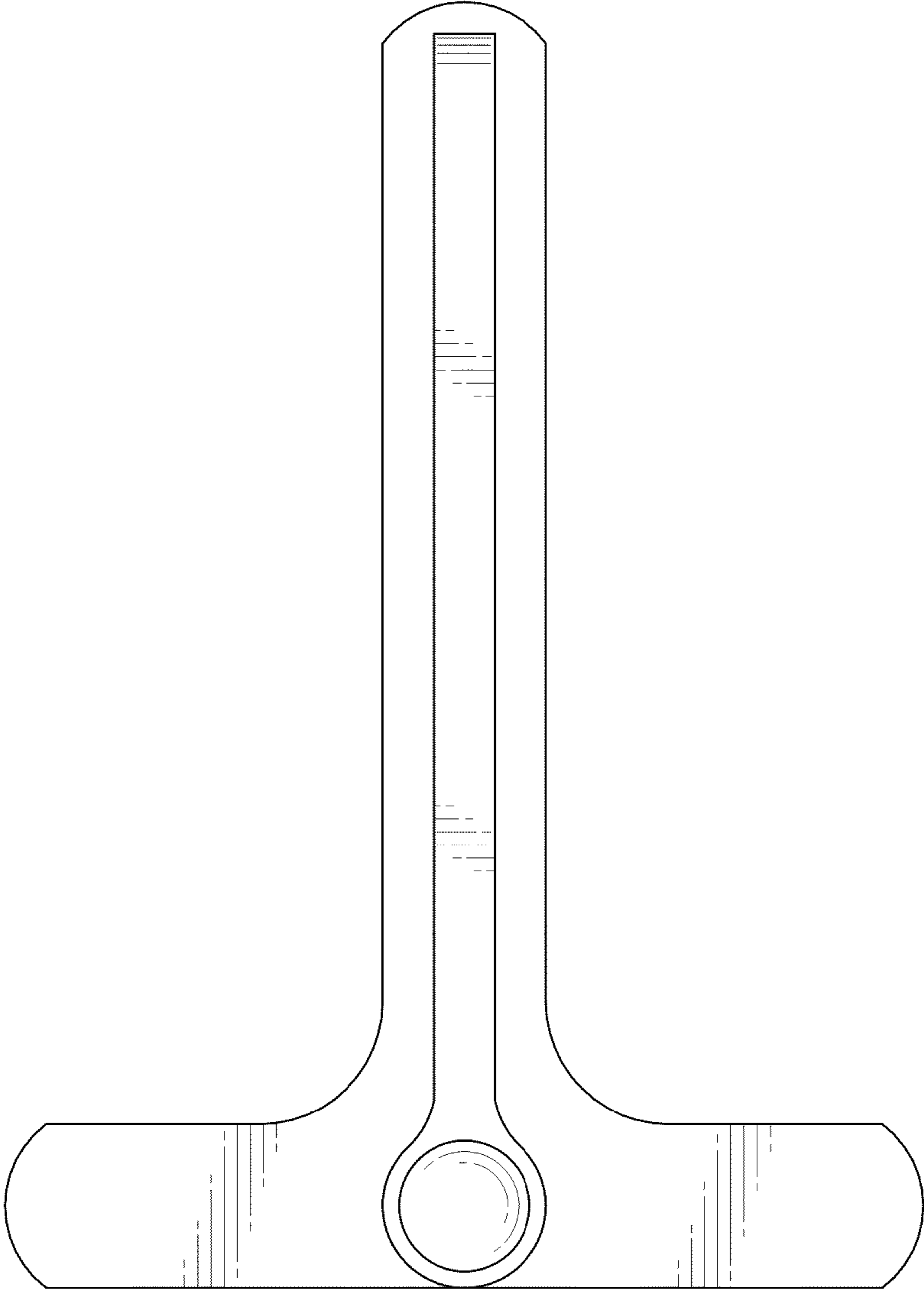


Fig. 6

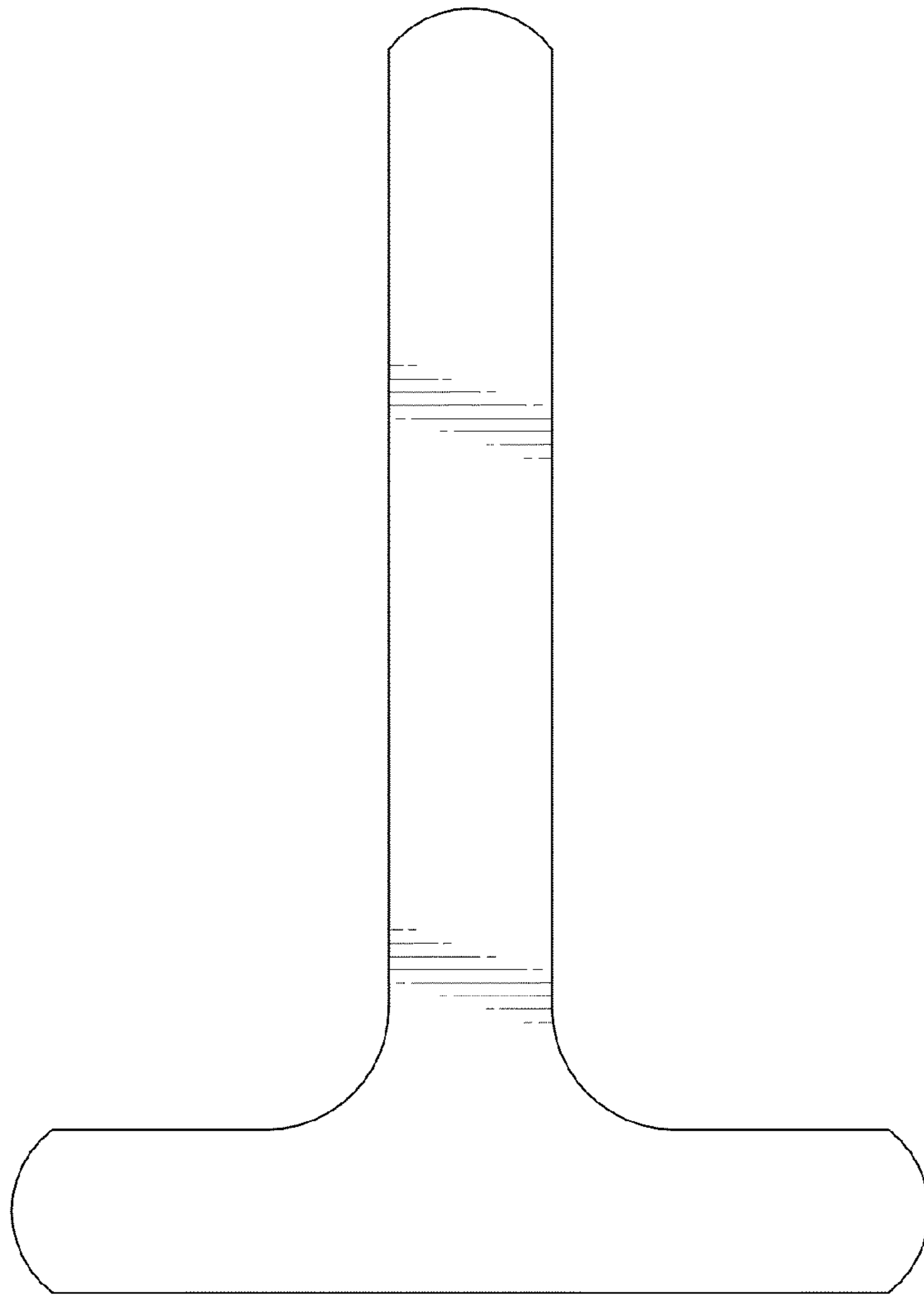


Fig. 7