



US00D652398S

(12) **United States Design Patent**
Chiu

(10) **Patent No.:** **US D652,398 S**
(45) **Date of Patent:** **** Jan. 17, 2012**

(54) **DISPLAY**

(75) Inventor: **Yi-Chung Chiu**, Taoyuan (TW)

(73) Assignee: **Hannspree, Inc.**, Taipei County (TW)

(**) Term: **14 Years**

(21) Appl. No.: **29/396,419**

(22) Filed: **Jun. 29, 2011**

(51) **LOC (9) Cl.** **14-03**

(52) **U.S. Cl.** **D14/126**

(58) **Field of Classification Search** D14/125-134,
D14/239, 371, 136, 374-377, 440, 450, 448,
D14/336, 342; 312/7.2; 348/836, 838, 180,
348/184, 325, 739; 341/12; 248/917-924,
248/465; 345/104, 133, 156, 168, 87, 173;
720/605, 669, 600, 655; 369/99, 197; D21/329,
D21/515, 577, 622, 333, 433, 448, 452, 450,
D21/331; D6/477, 479, 300; 273/148 B;
446/484, 175, 356; D10/15, 26

See application file for complete search history.

(56) **References Cited**

U.S. PATENT DOCUMENTS

D470,488 S * 2/2003 Lin D14/374
D525,597 S * 7/2006 Lin D14/126

D529,006 S * 9/2006 Brunner et al. D14/126
D529,456 S * 10/2006 Chia D14/126
D531,969 S * 11/2006 Voege D14/126
D533,150 S * 12/2006 Chia D14/126
D543,520 S * 5/2007 Chiu D14/126
D543,963 S * 6/2007 Chu D14/126
D544,456 S * 6/2007 Bloem D14/126
D569,356 S * 5/2008 Lee D14/126
D571,751 S * 6/2008 Lin D14/126
D573,960 S * 7/2008 Lee D14/126

* cited by examiner

Primary Examiner — Raphael Barkai

(74) *Attorney, Agent, or Firm* — Schmeiser Olsen & Watts
LLP

(57) **CLAIM**

The ornamental design for a display, as shown and described.

DESCRIPTION

FIG. 1 is a front perspective view of display showing my new design;

FIG. 2 is a front elevational view thereof;

FIG. 3 is a rear elevational view thereof;

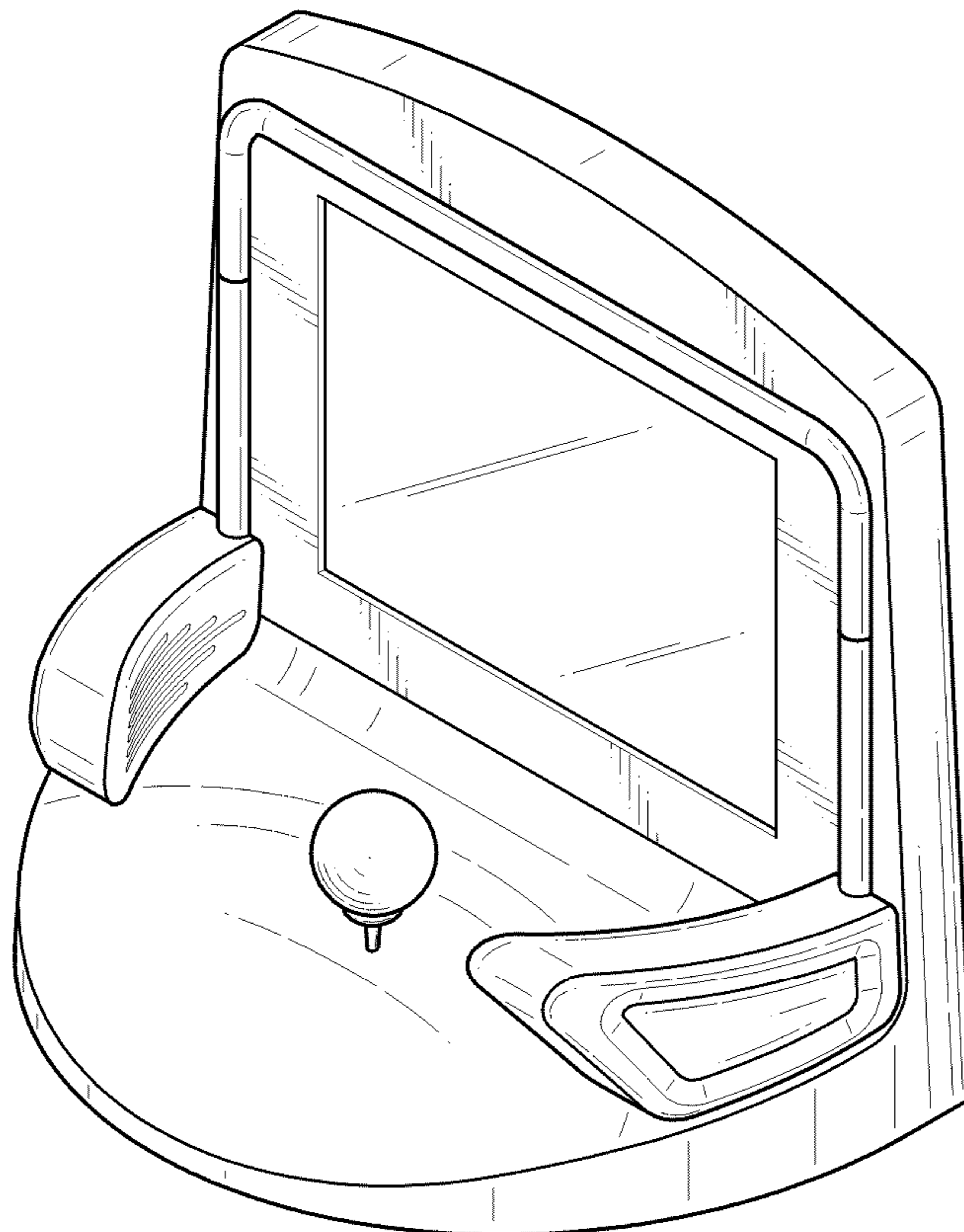
FIG. 4 is a left side elevational view thereof;

FIG. 5 is a right side elevational view thereof;

FIG. 6 is a top plan view thereof; and,

FIG. 7 is a bottom plan view thereof.

1 Claim, 4 Drawing Sheets



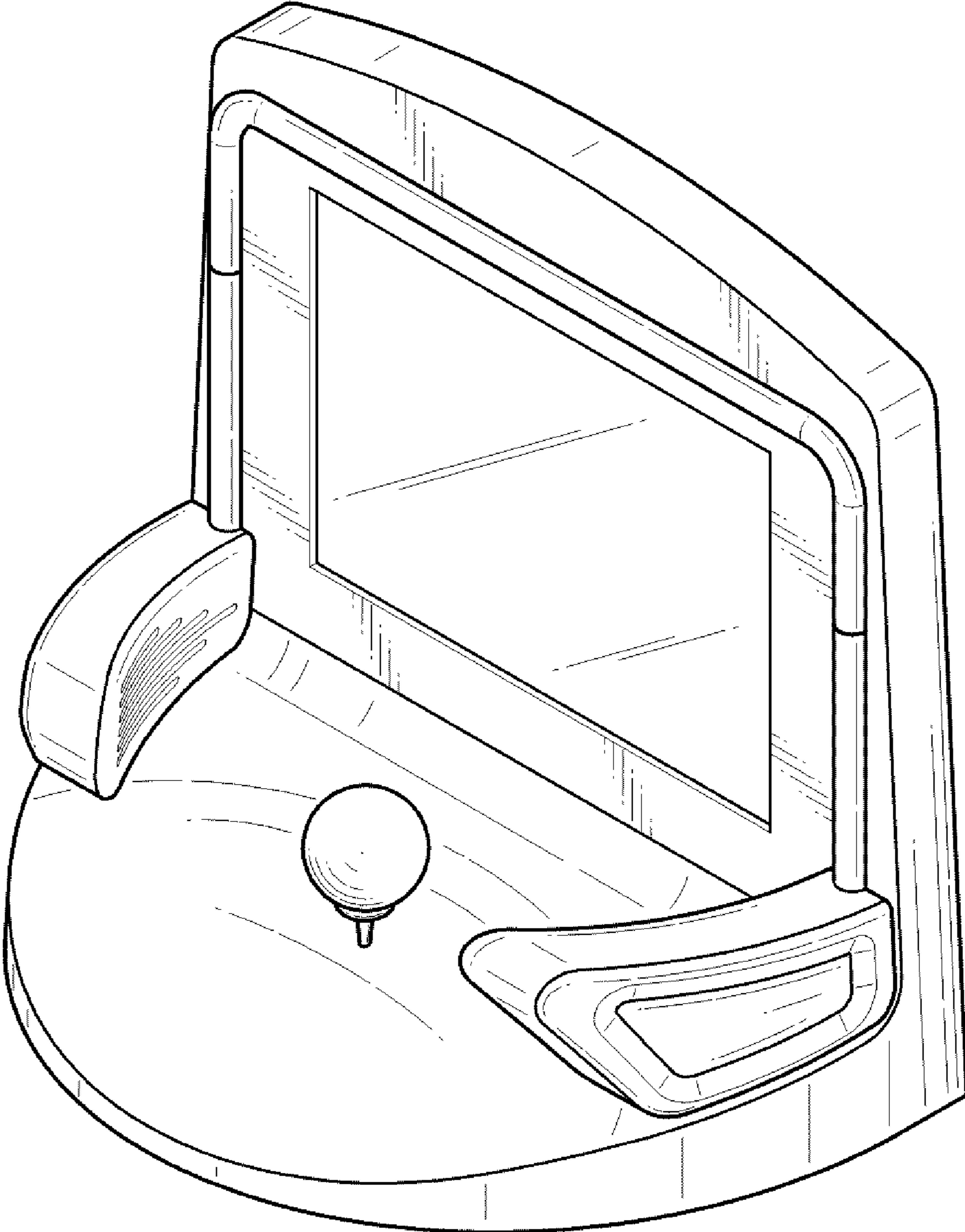


FIG.1

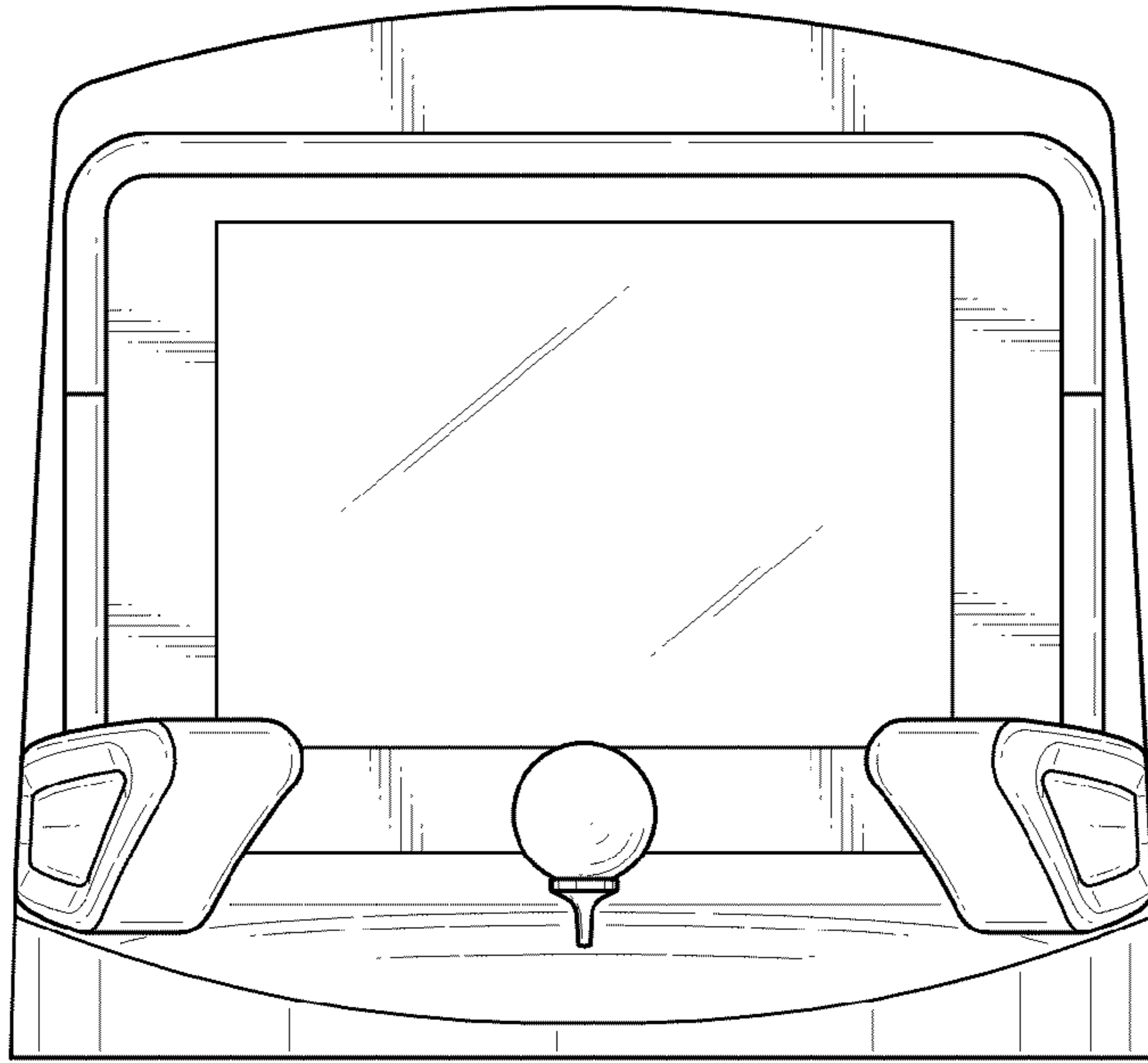


FIG. 2

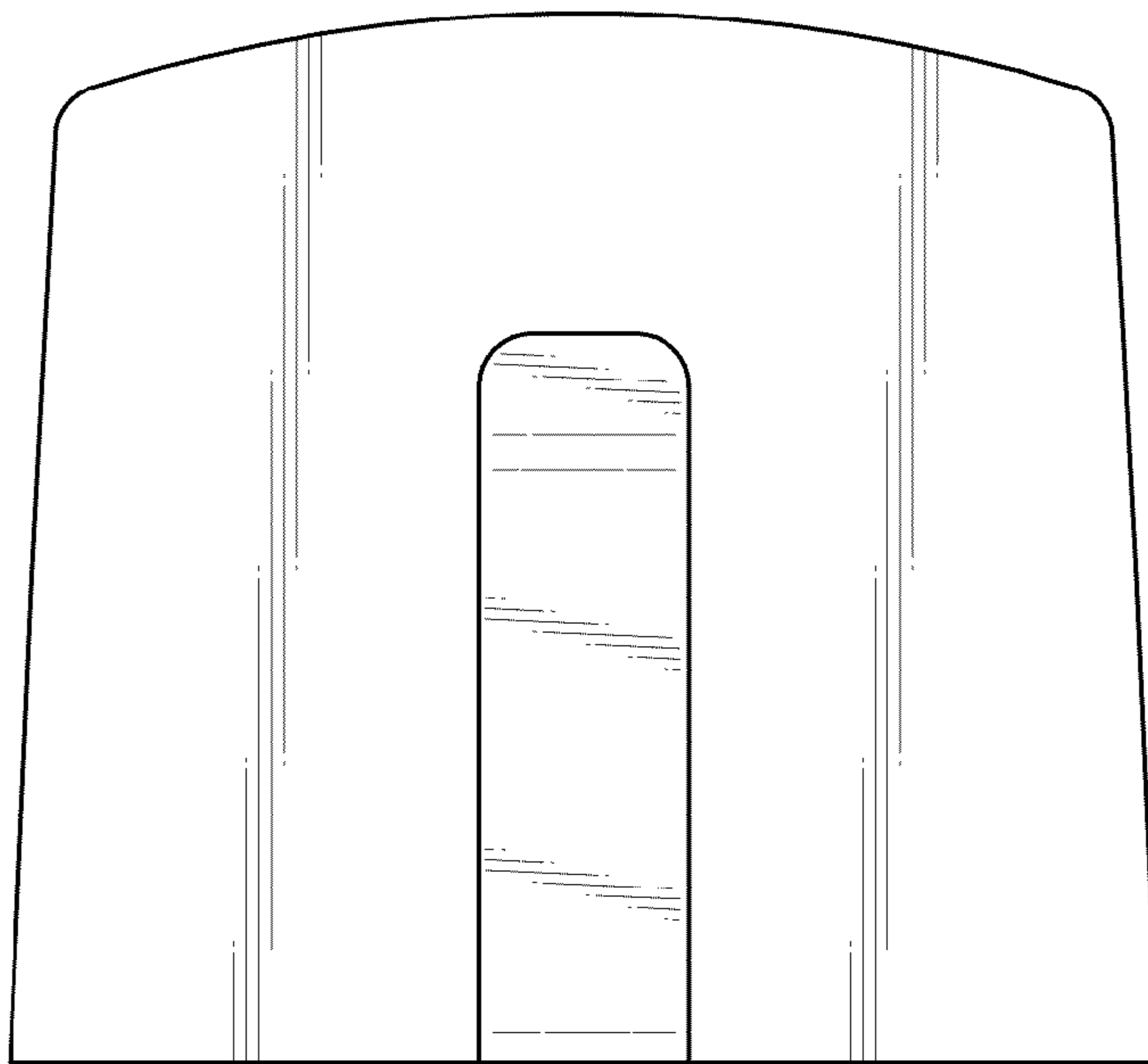


FIG. 3

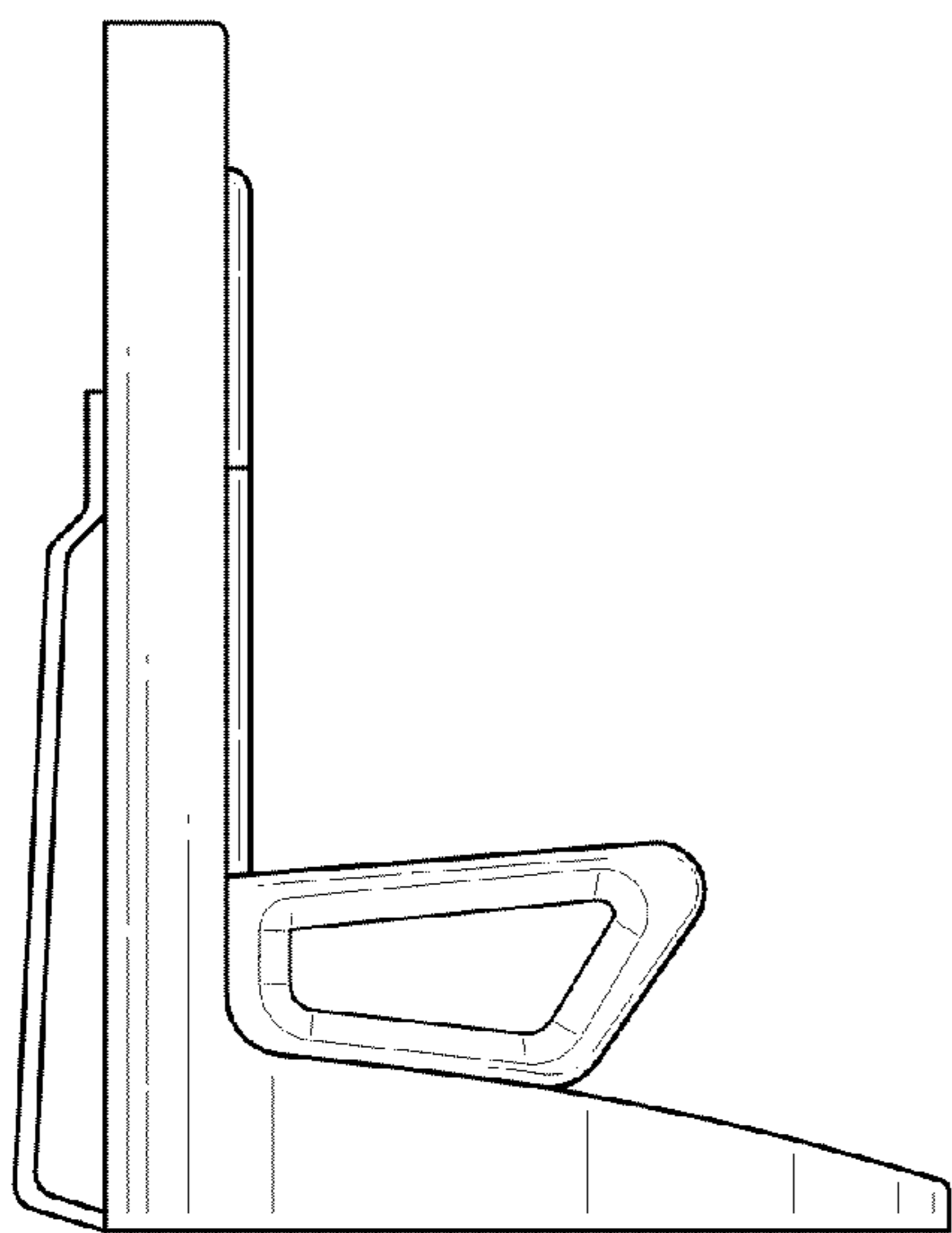


FIG. 4

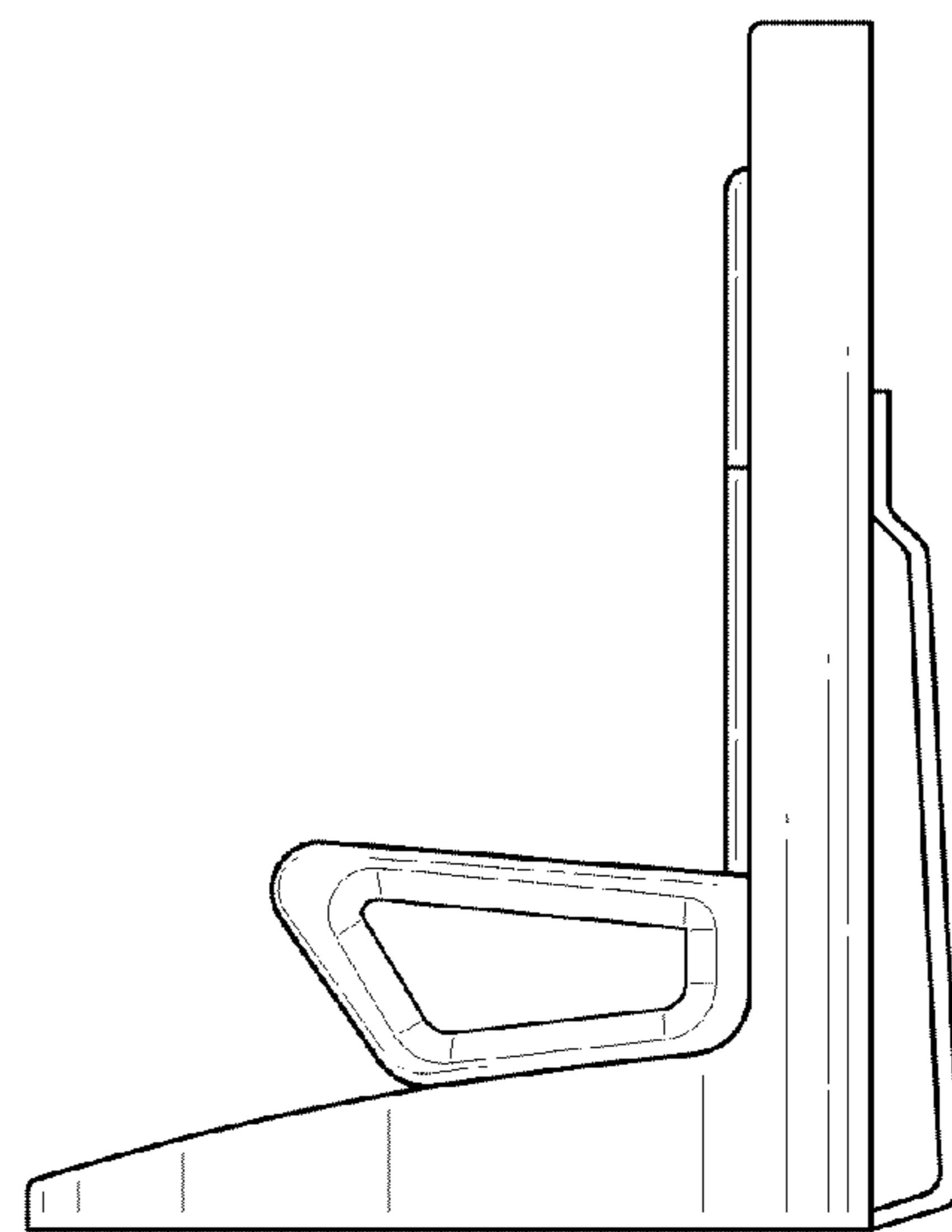


FIG. 5

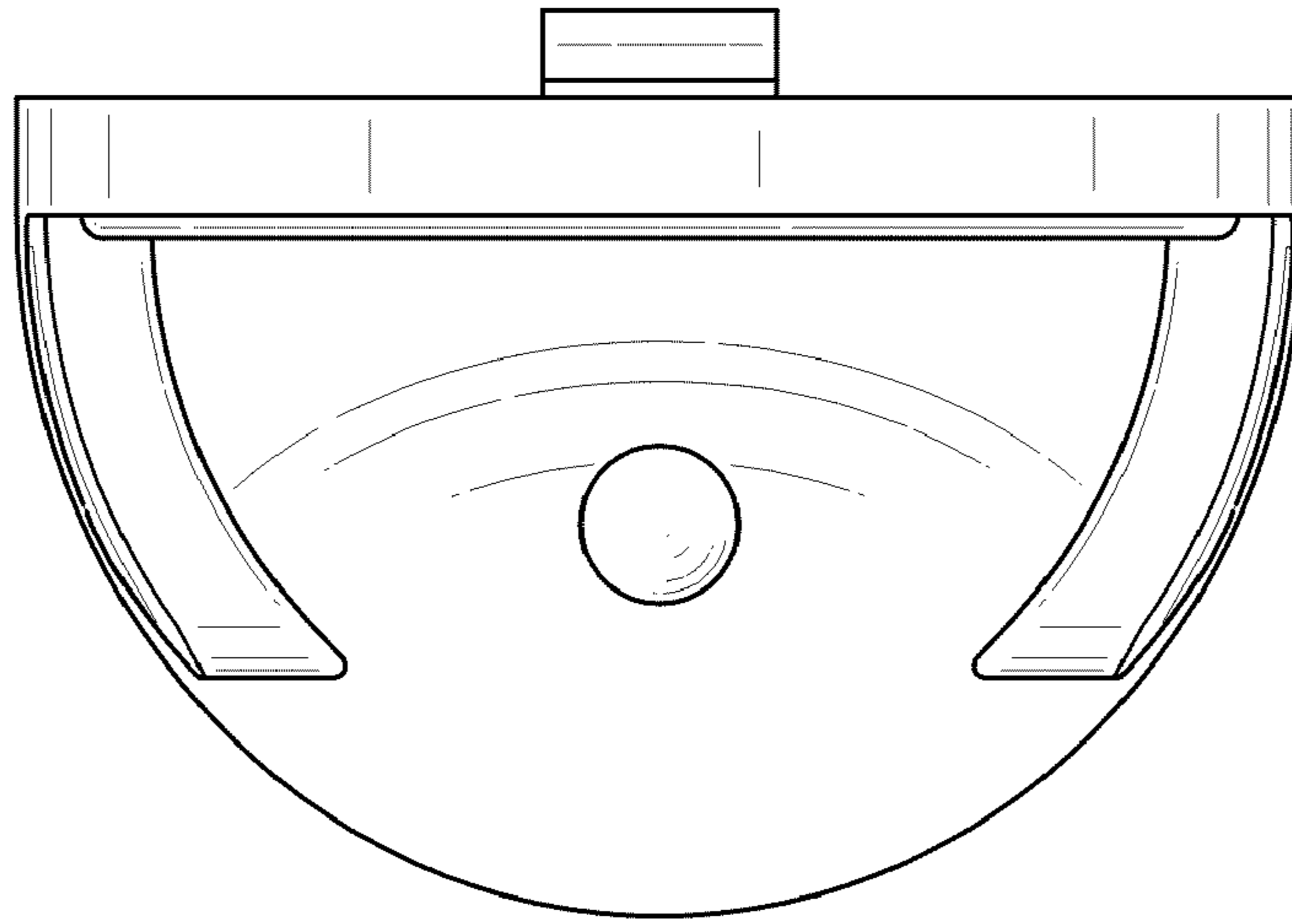


FIG. 6

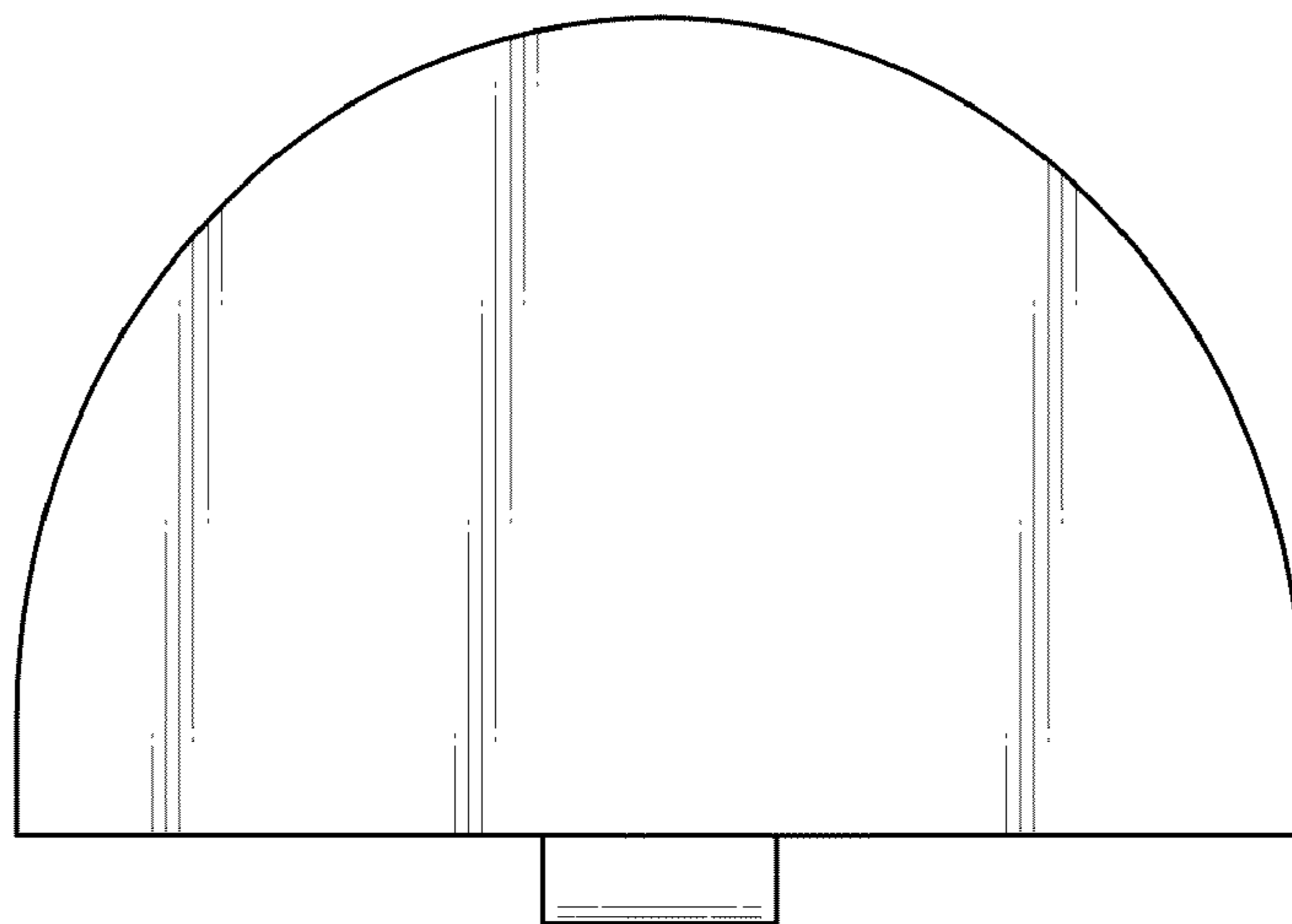


FIG. 7