



US00D652397S

(12) **United States Design Patent**
Lewis

(10) **Patent No.:** **US D652,397 S**
(45) **Date of Patent:** **** Jan. 17, 2012**

(54) **TELEVISION**

(75) Inventor: **David Lewis**, Copenhagen N (DK)

(73) Assignee: **Bang & Olufsen A/S**, Struer (DK)

(**) Term: **14 Years**

(21) Appl. No.: **29/392,885**

(22) Filed: **May 27, 2011**

(30) **Foreign Application Priority Data**

Mar. 4, 2011 (DK) DA 2011 00038

(51) **LOC (9) Cl.** **14-03**

(52) **U.S. Cl.** **D14/126**

(58) **Field of Classification Search** D14/125-134,
D14/239, 371, 136, 374-377, 440, 450, 448,
D14/336, 342; 312/7.2; 348/836, 838, 180,
348/184, 325, 739; 341/12; 248/917-924,
248/465; 345/104, 133, 156, 168, 87, 173;
720/605, 669, 600, 655; 369/99, 197; 455/344,
455/347; D21/329, 515, 577, 622, 333, 433,
D21/448, 452, 450, 331; D6/477, 479, 300;
273/148 B; 446/484, 175, 356; D10/15,
D10/26

See application file for complete search history.

(56) **References Cited**

U.S. PATENT DOCUMENTS

D456,369 S * 4/2002 Joe D14/126
D460,056 S * 7/2002 Niitsu D14/126

D469,414 S * 1/2003 Lewis D14/126
D484,106 S * 12/2003 Onoda D14/128
D513,501 S * 1/2006 Asanuma et al. D14/129
D531,146 S * 10/2006 Lin D14/126
D539,767 S * 4/2007 Kang et al. D14/128
D550,636 S * 9/2007 DeMaio et al. D14/126
D561,126 S * 2/2008 Hoehn D14/126
D572,214 S * 7/2008 Lewis D14/126
D600,661 S * 9/2009 Ohki et al. D14/126
D603,816 S * 11/2009 Kim et al. D14/126
D611,440 S * 3/2010 Suzuki et al. D14/126
D617,290 S 6/2010 Lewis

* cited by examiner

Primary Examiner — Raphael Barkai

(74) *Attorney, Agent, or Firm* — Buchanan Ingersoll & Rooney PC

(57) **CLAIM**

The ornamental design for a television, as shown and described.

DESCRIPTION

FIG. 1 is a front perspective view of a television showing my new design.

FIG. 2 is a rear perspective view thereof.

FIG. 3 is a front elevational view thereof.

FIG. 4 is a rear elevational view thereof.

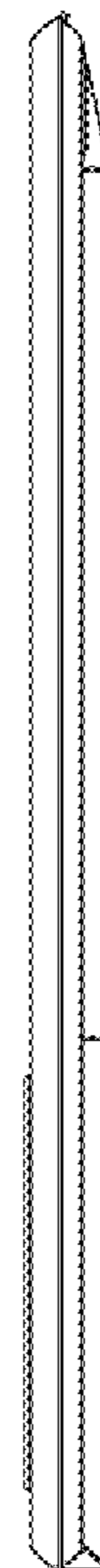
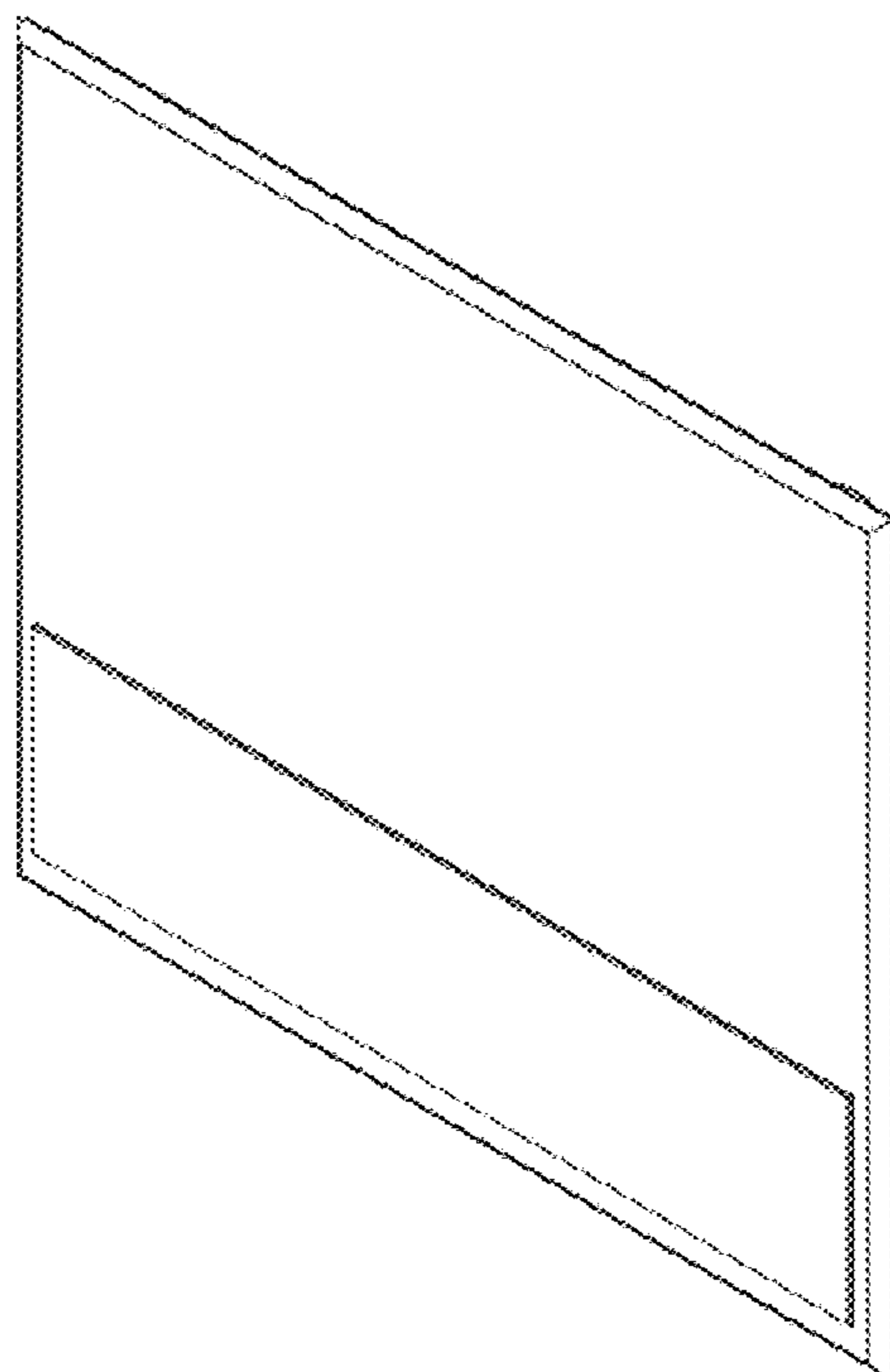
FIG. 5 is a right side elevational view thereof.

FIG. 6 is a left side elevational view thereof.

FIG. 7 is a top plan view thereof; and,

FIG. 8 is a bottom plan view thereof.

1 Claim, 8 Drawing Sheets



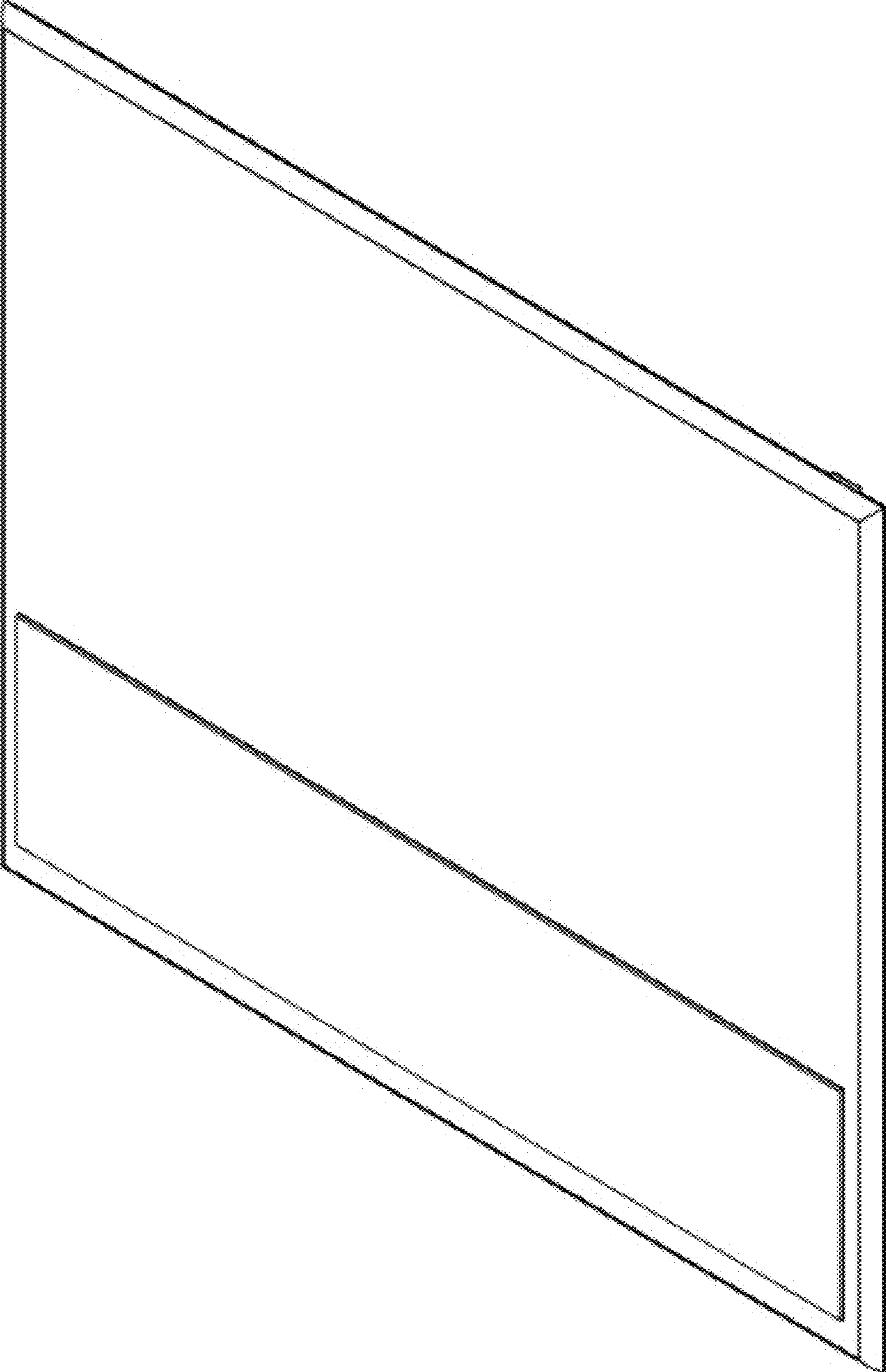


FIG. 1

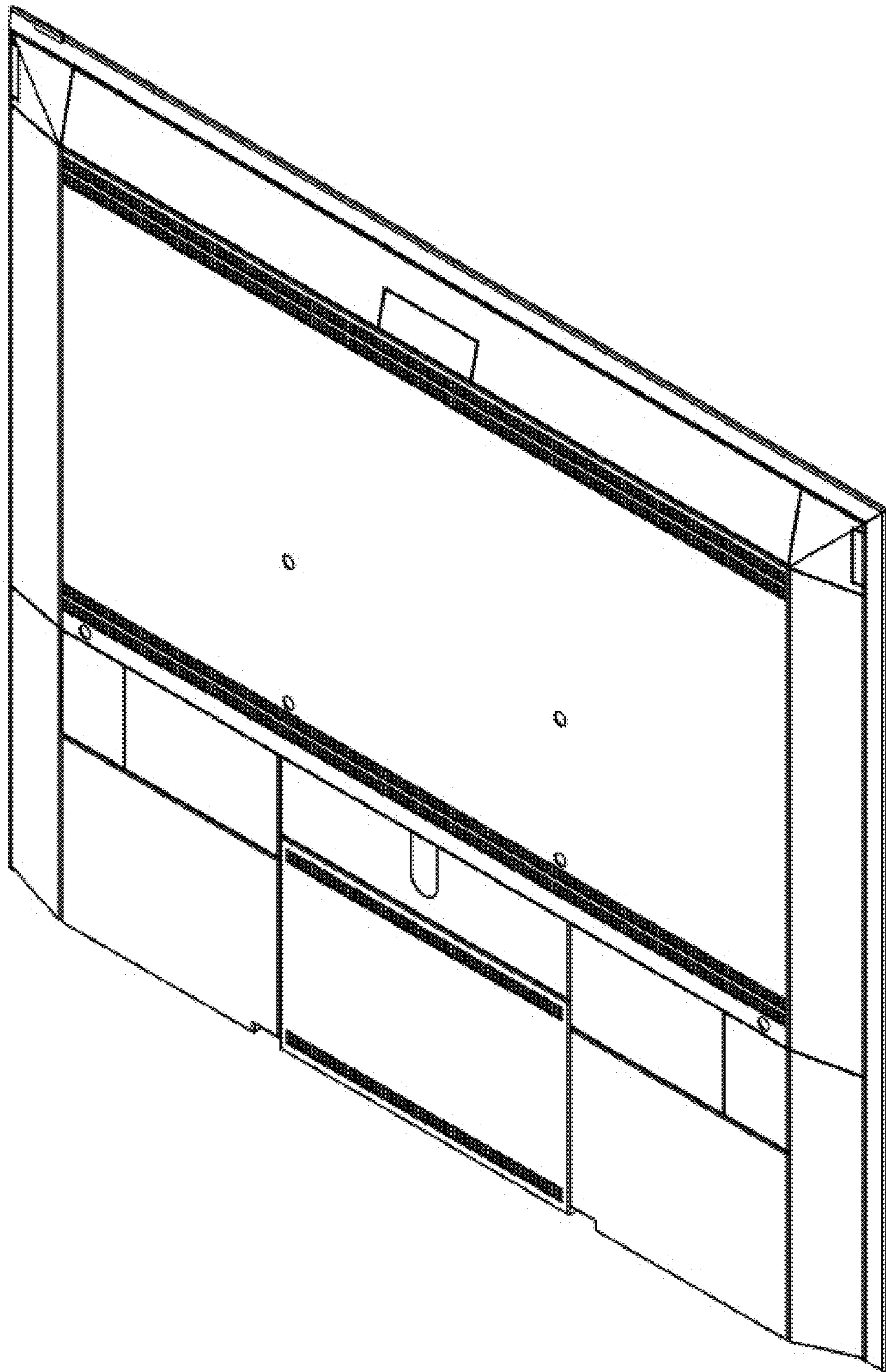


FIG. 2

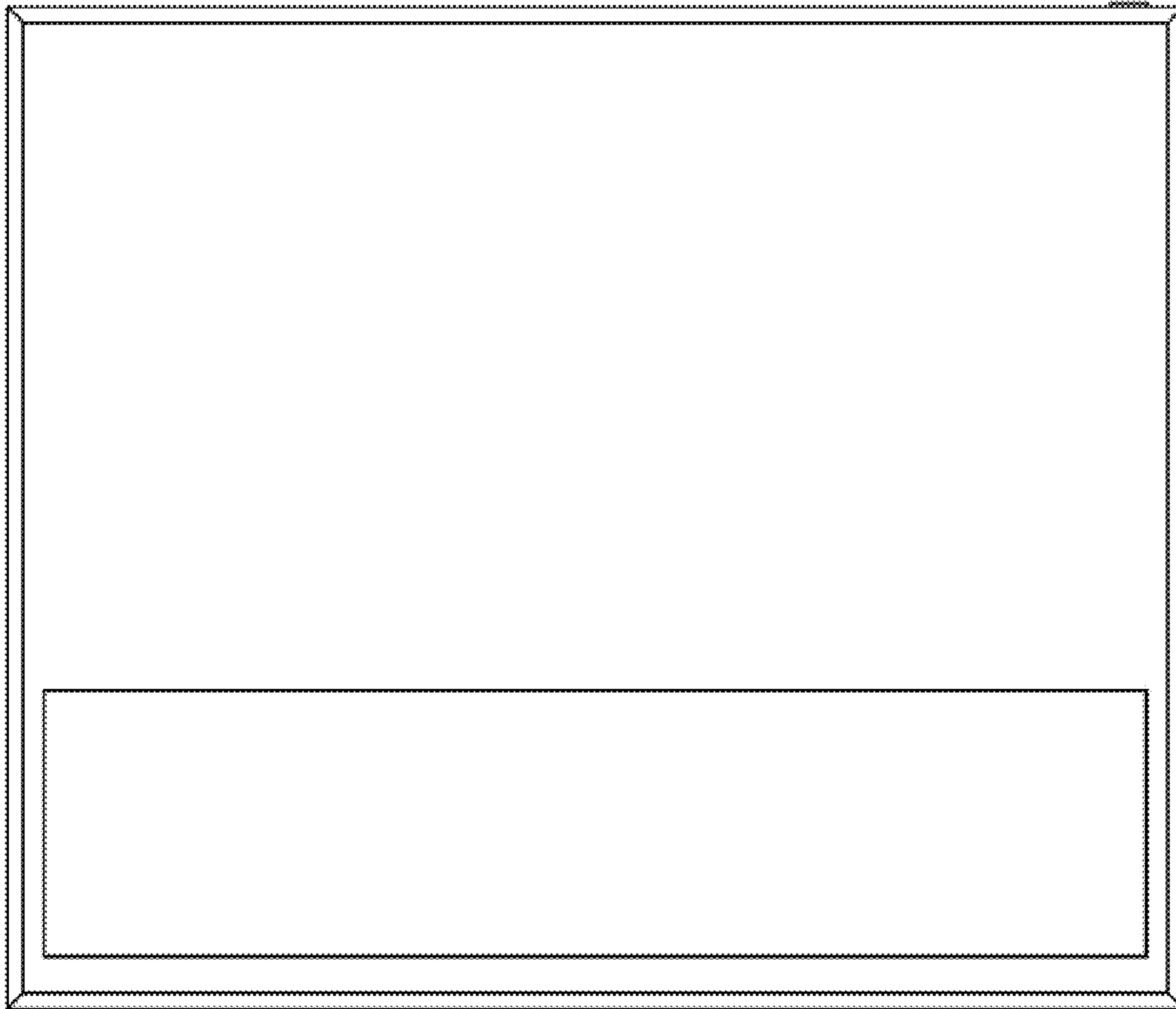


FIG. 3

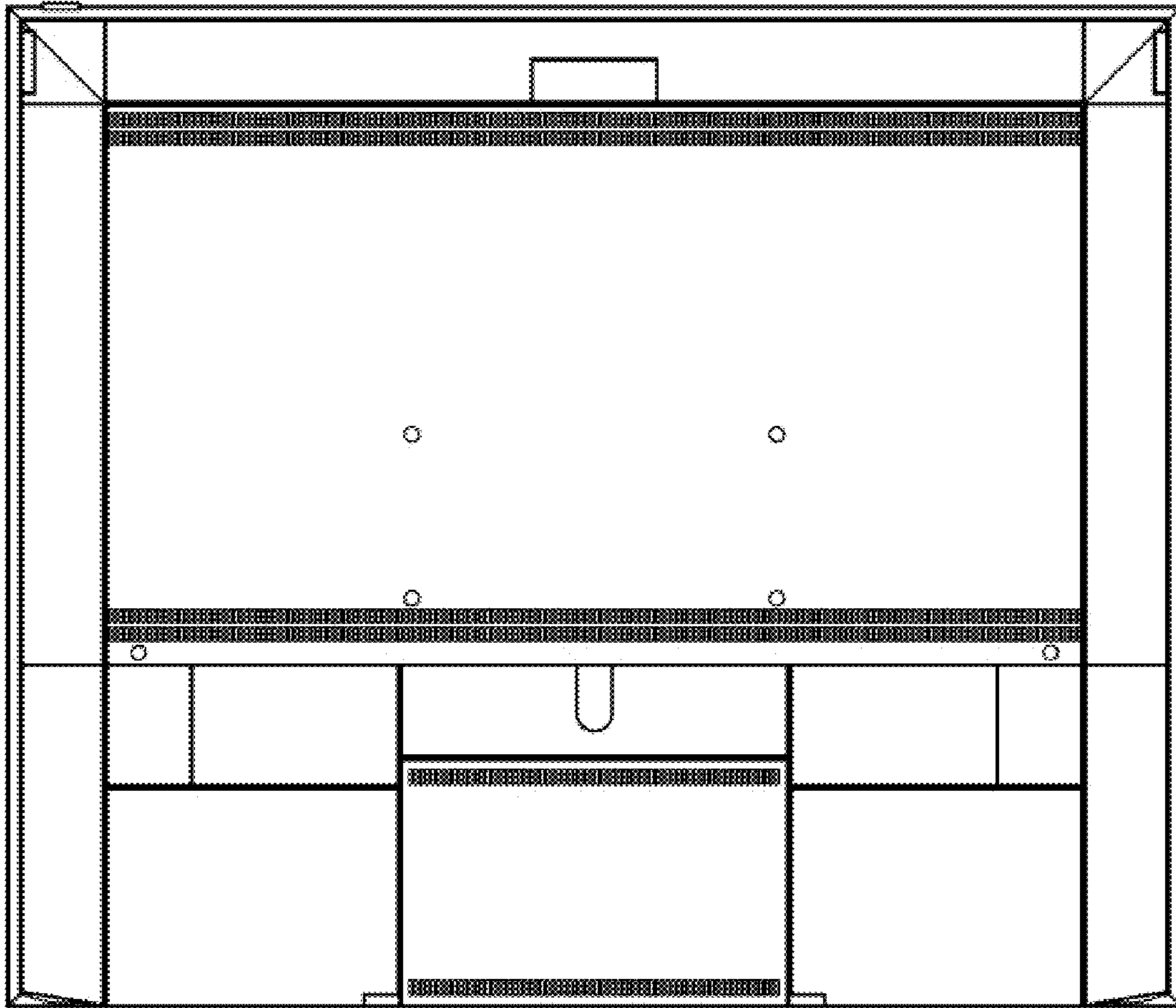


FIG. 4

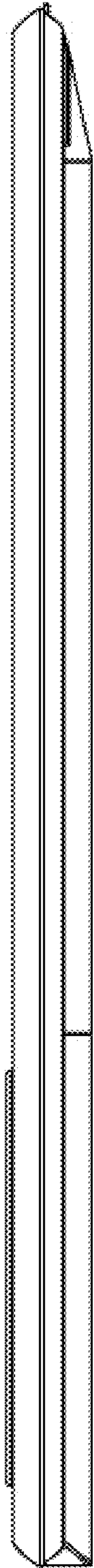


FIG. 5

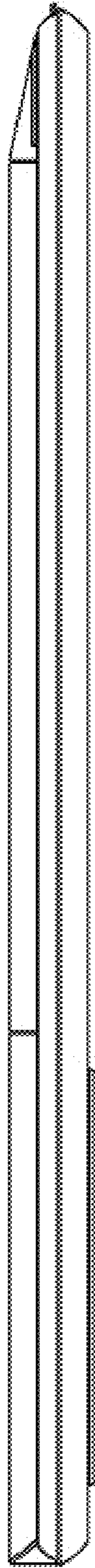


FIG. 6



FIG. 7



FIG. 8