



US00D652394S

(12) **United States Design Patent**
Fukui et al.

(10) **Patent No.:** **US D652,394 S**
(45) **Date of Patent:** **** Jan. 17, 2012**

(54) **LIGHT EMITTING DIODE**

Japanese Office Action dated Mar. 4, 2011 with a partial English translation.

(75) Inventors: **Kosei Fukui**, Aichi (JP); **Hideki Kokubu**, Aichi (JP); **Toshimasa Hayashi**, Aichi (JP)

* cited by examiner

(73) Assignee: **Toyoda Gosei Co., Ltd.**, Kiyosu-shi, Aichi-ken (JP)

Primary Examiner — Selina Sikder

(74) *Attorney, Agent, or Firm* — McGinn IP Law Group, PLLC

(**) Term: **14 Years**

(57) **CLAIM**

The ornamental design for a light emitting diode, as shown and described.

(21) Appl. No.: **29/371,489**

DESCRIPTION

(22) Filed: **Mar. 21, 2011**

(30) **Foreign Application Priority Data**

Sep. 22, 2010 (JP) D2010-022730
Feb. 9, 2011 (JP) D2011-002799

FIG. 1 is a front perspective view of a first embodiment of a light emitting diode showing our new design;

FIG. 2 is a rear perspective view thereof;

FIG. 3 is a front view thereof;

FIG. 4 is a rear view thereof;

FIG. 5 is a top plan view thereof;

FIG. 6 is a bottom view thereof;

FIG. 7 is a right side view thereof;

FIG. 8 is a cross sectional view taken along line 8-8 in FIG. 3;

FIG. 9 is a cross sectional view taken along line 9-9 in FIG. 3;

FIG. 10 is a reference front view showing transparent portion thereof;

FIG. 11 is a front perspective view of a second embodiment of a light emitting diode showing our new design;

FIG. 12 is a rear perspective view thereof;

FIG. 13 is a front view thereof;

FIG. 14 is a rear view thereof;

FIG. 15 is a top plan view thereof;

FIG. 16 is a bottom view thereof;

FIG. 17 is a right side view thereof;

FIG. 18 is an end view taken along line 18-18 in FIG. 13;

FIG. 19 is an end view taken along line 19-19 in FIG. 13; and,

FIG. 20 is a reference front view showing transparent portion thereof.

Since the left side view of the first embodiment is symmetrical to the right side view thereof, the left side view is omitted. Since the left side view of the second embodiment is symmetrical to the right side view thereof, the left side view is omitted.

The broken lines are shown for illustrative purposes only and form no part of the claimed design.

(51) **LOC (9) Cl.** **13-03**

(52) **U.S. Cl.** **D13/180**

(58) **Field of Classification Search** D13/180;
257/79, 80, 81, 88, 89, 95, 98, 99, 100, E33.058;
313/483, 498, 500; 362/555, 800

See application file for complete search history.

(56) **References Cited**

U.S. PATENT DOCUMENTS

D509,487 S * 9/2005 Ishida D13/180
D578,491 S * 10/2008 Lee et al. D13/180
D589,911 S * 4/2009 Lee et al. D13/180
D593,515 S * 6/2009 Nakagawa D13/180
D597,499 S 8/2009 Kokubu et al.
7,615,799 B2 * 11/2009 Su 257/99
D605,609 S * 12/2009 Lee et al. D13/180
D608,307 S * 1/2010 Hussell et al. D13/180
D609,654 S * 2/2010 Hsieh D13/180
D633,058 S * 2/2011 Lin D13/180
D635,526 S * 4/2011 Hayashi D13/180

FOREIGN PATENT DOCUMENTS

JP 1331762 6/2008

OTHER PUBLICATIONS

U.S. Appl. No. 29/371,472, filed Mar. 11, 2011.

1 Claim, 20 Drawing Sheets

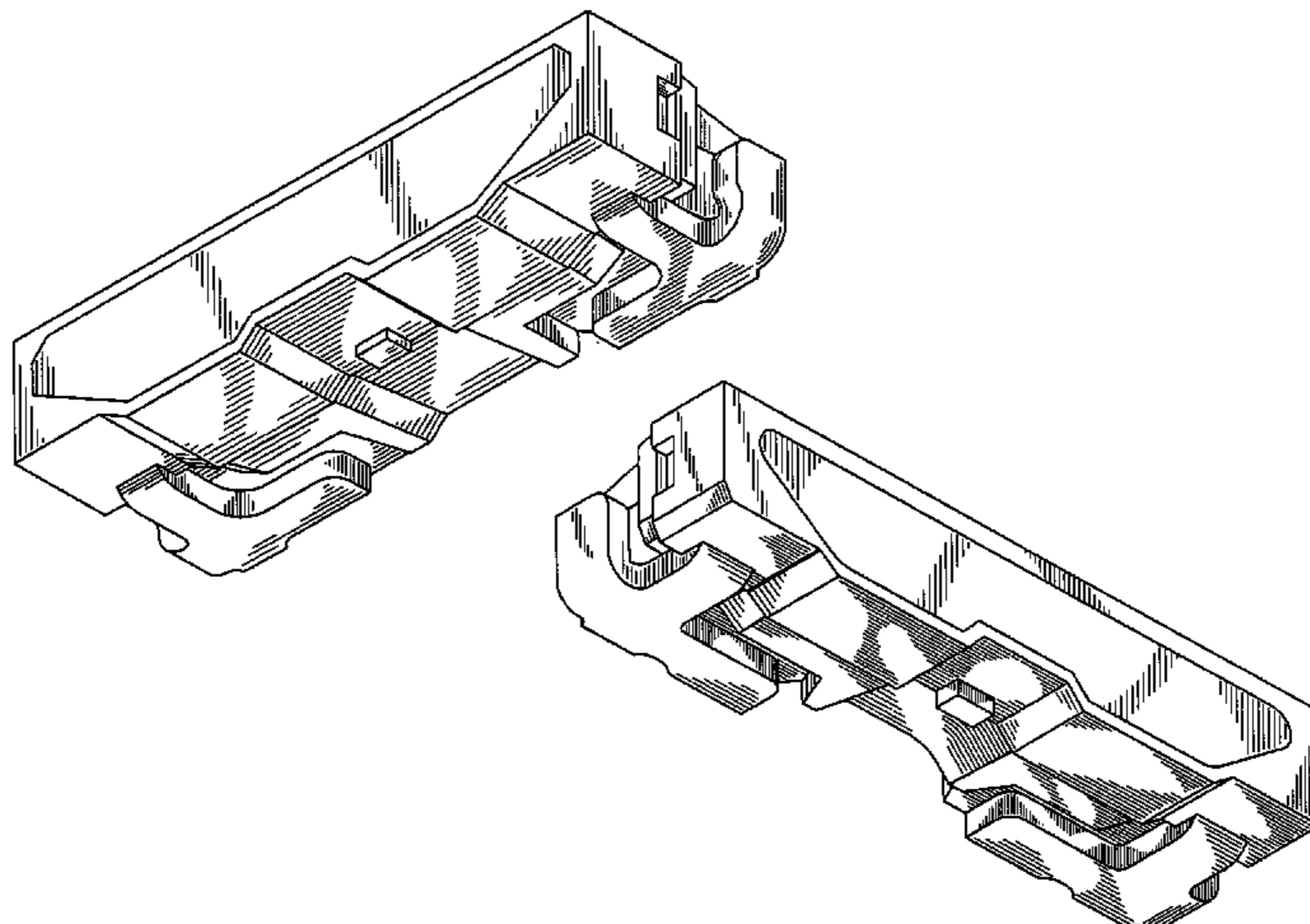


FIG. 1

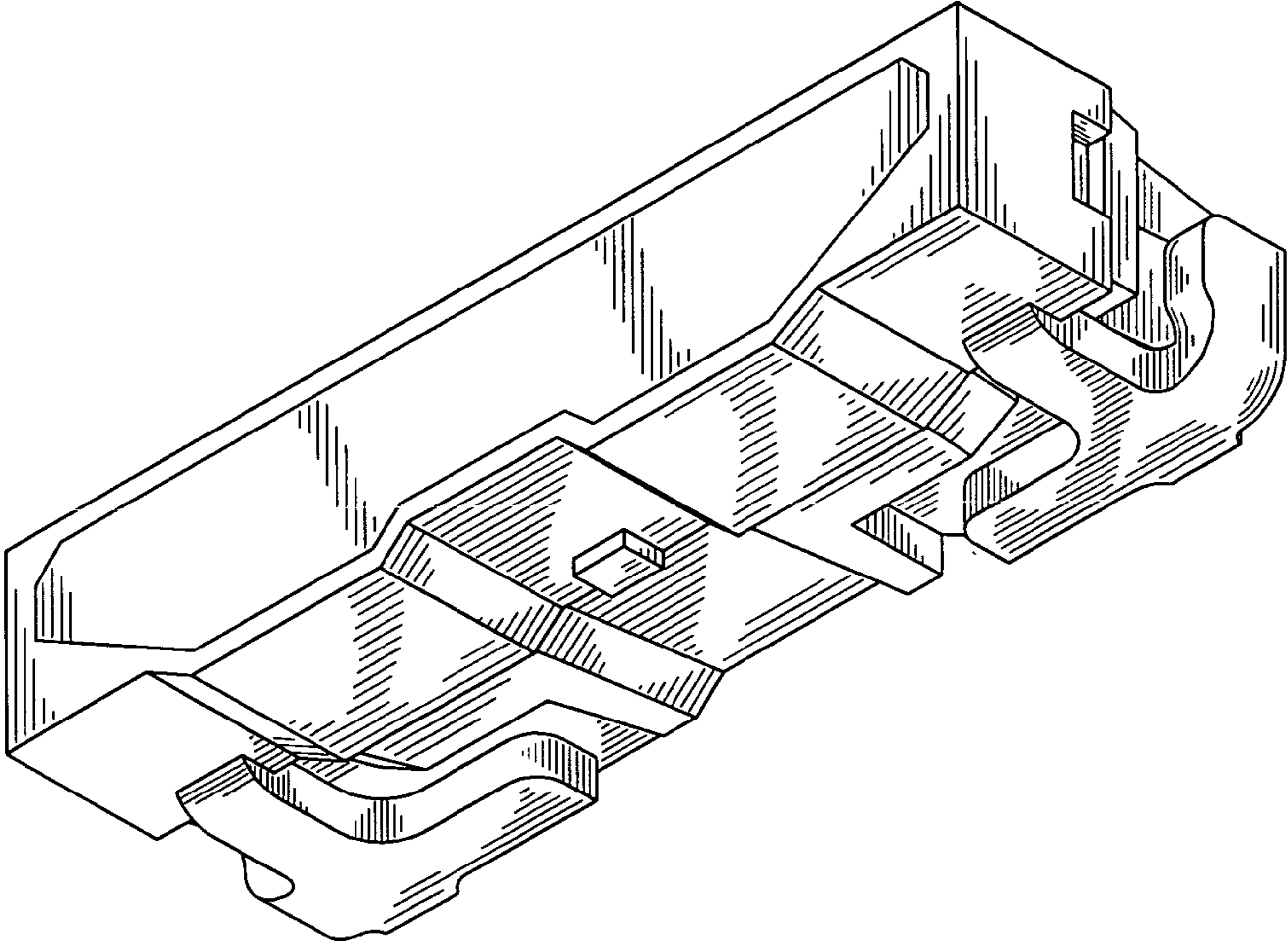


FIG. 2

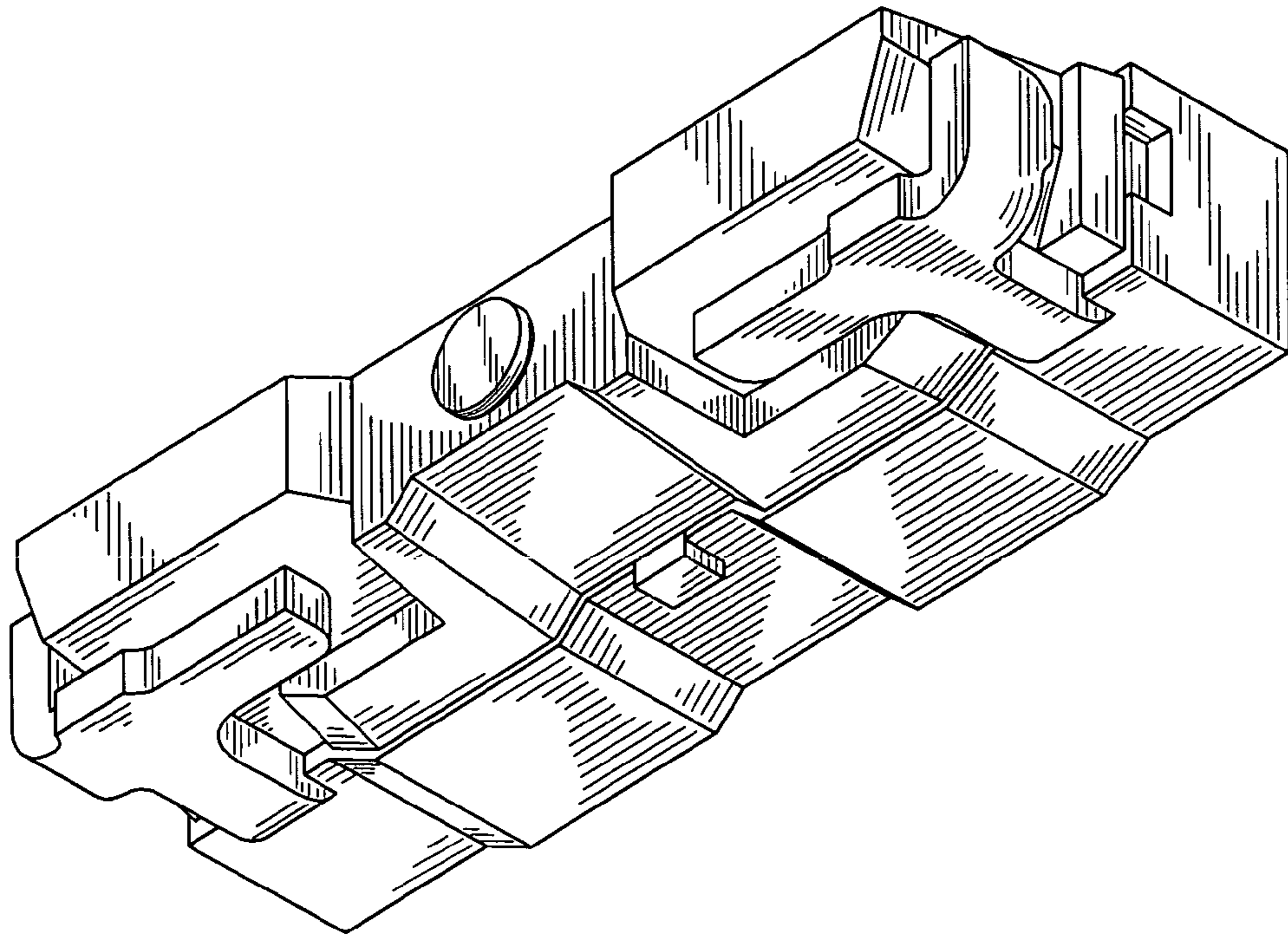


FIG. 3

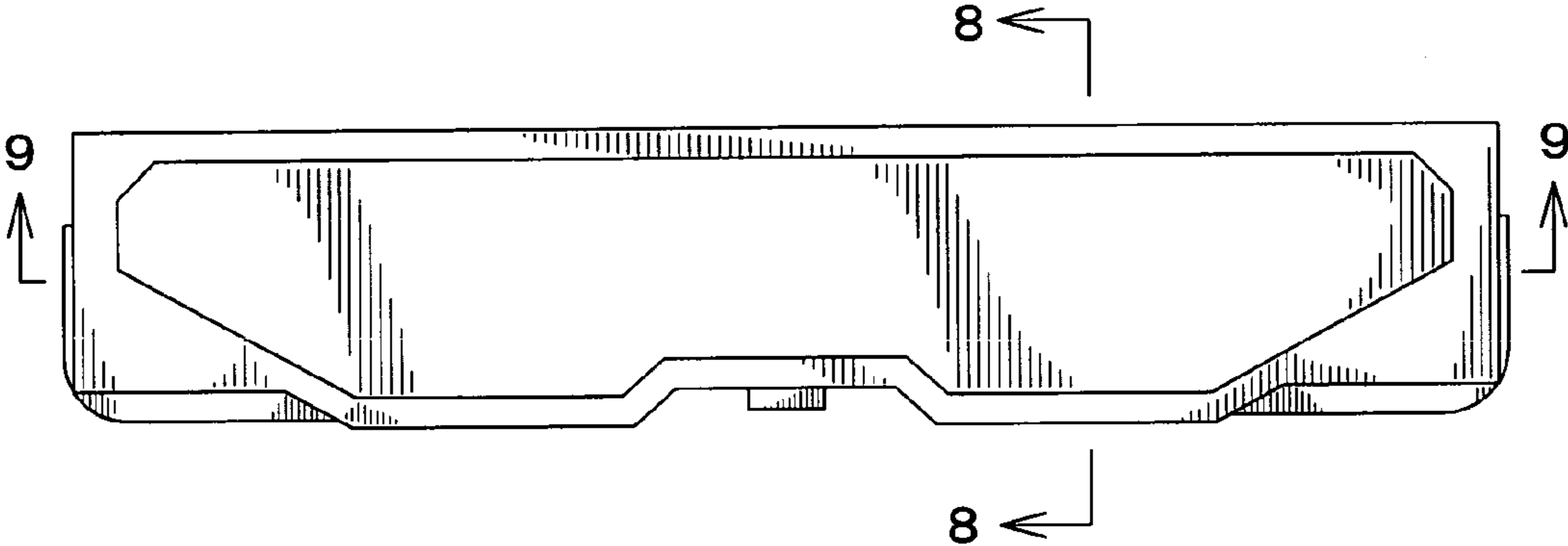


FIG. 4

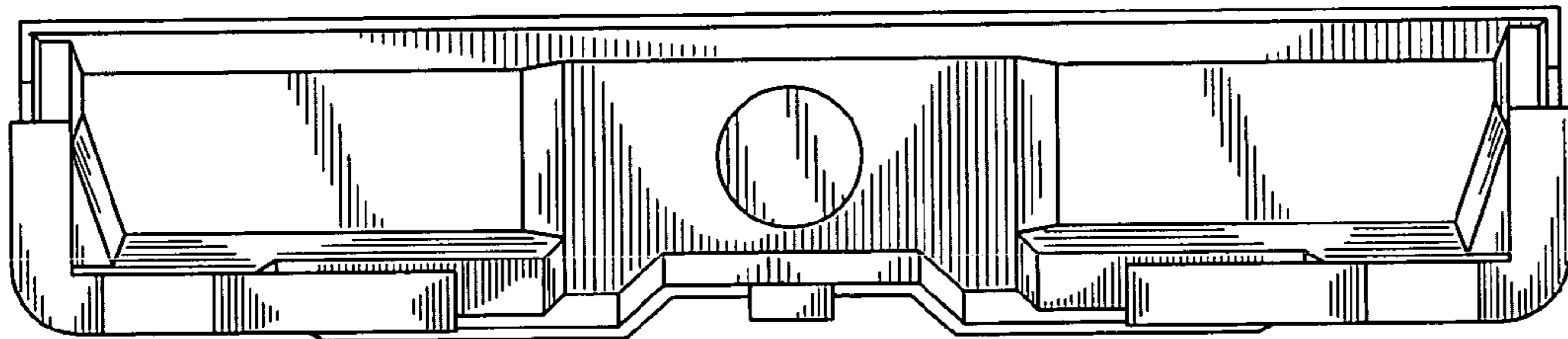


FIG. 5

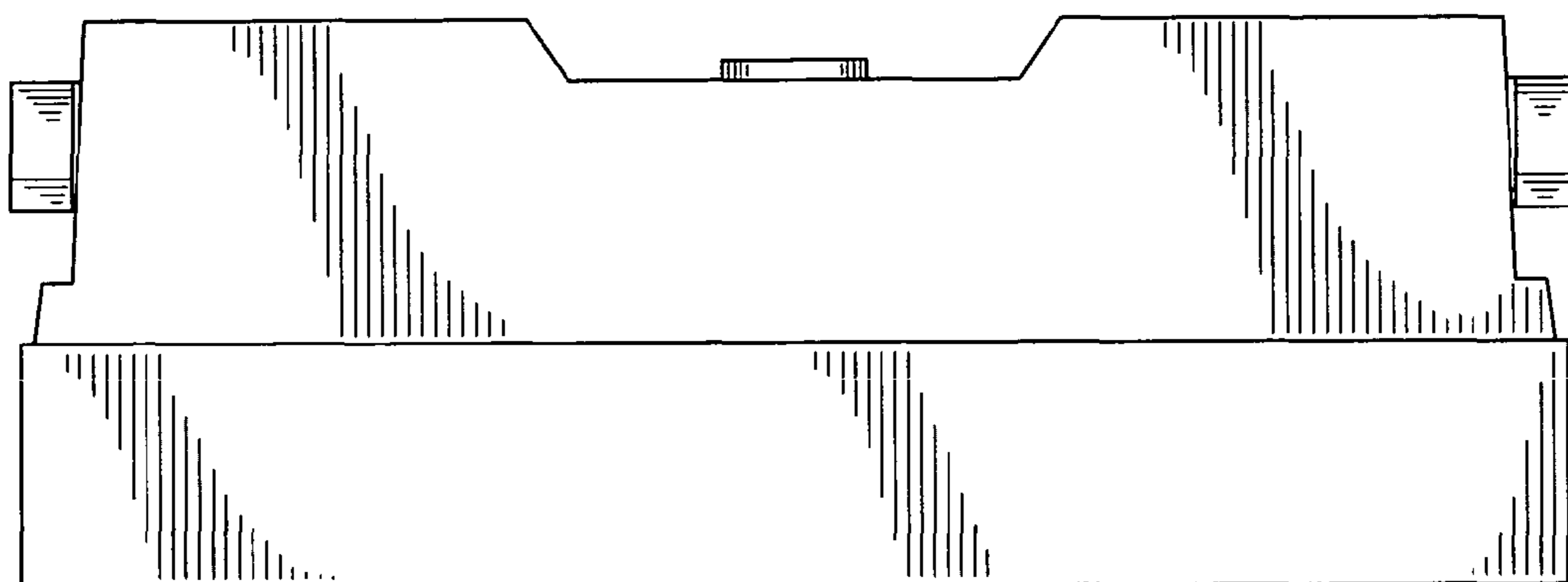


FIG. 6

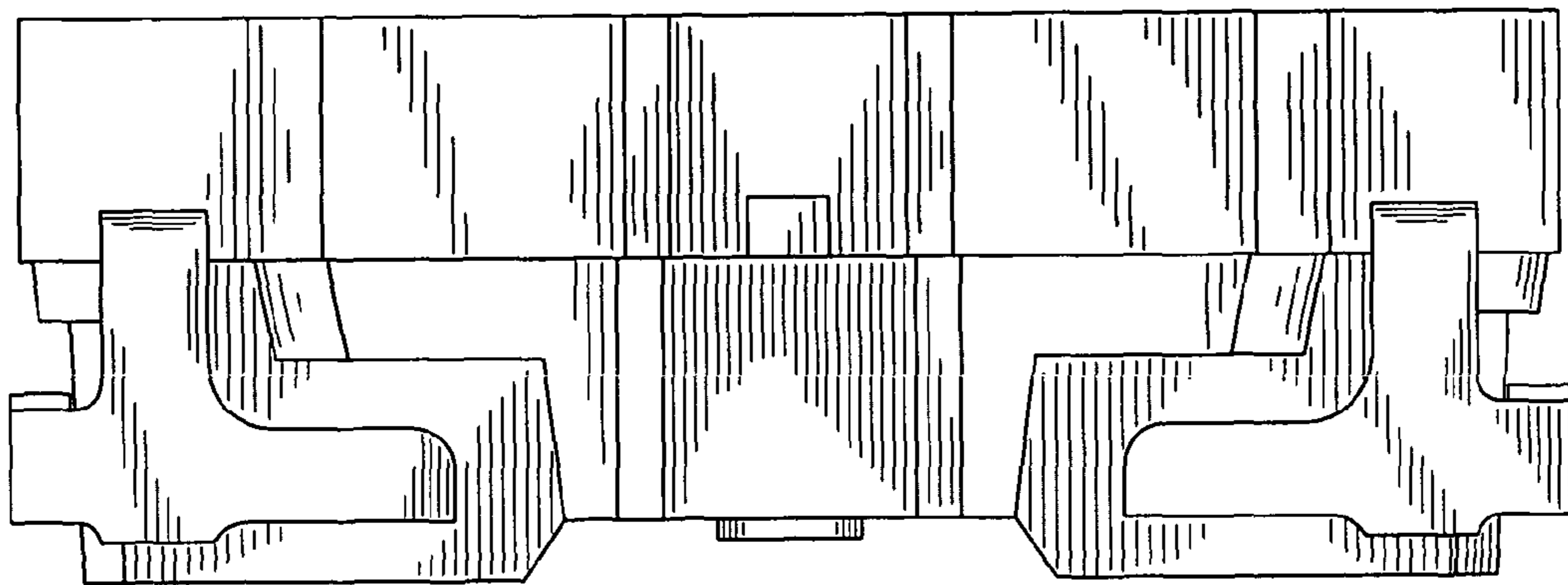


FIG. 7

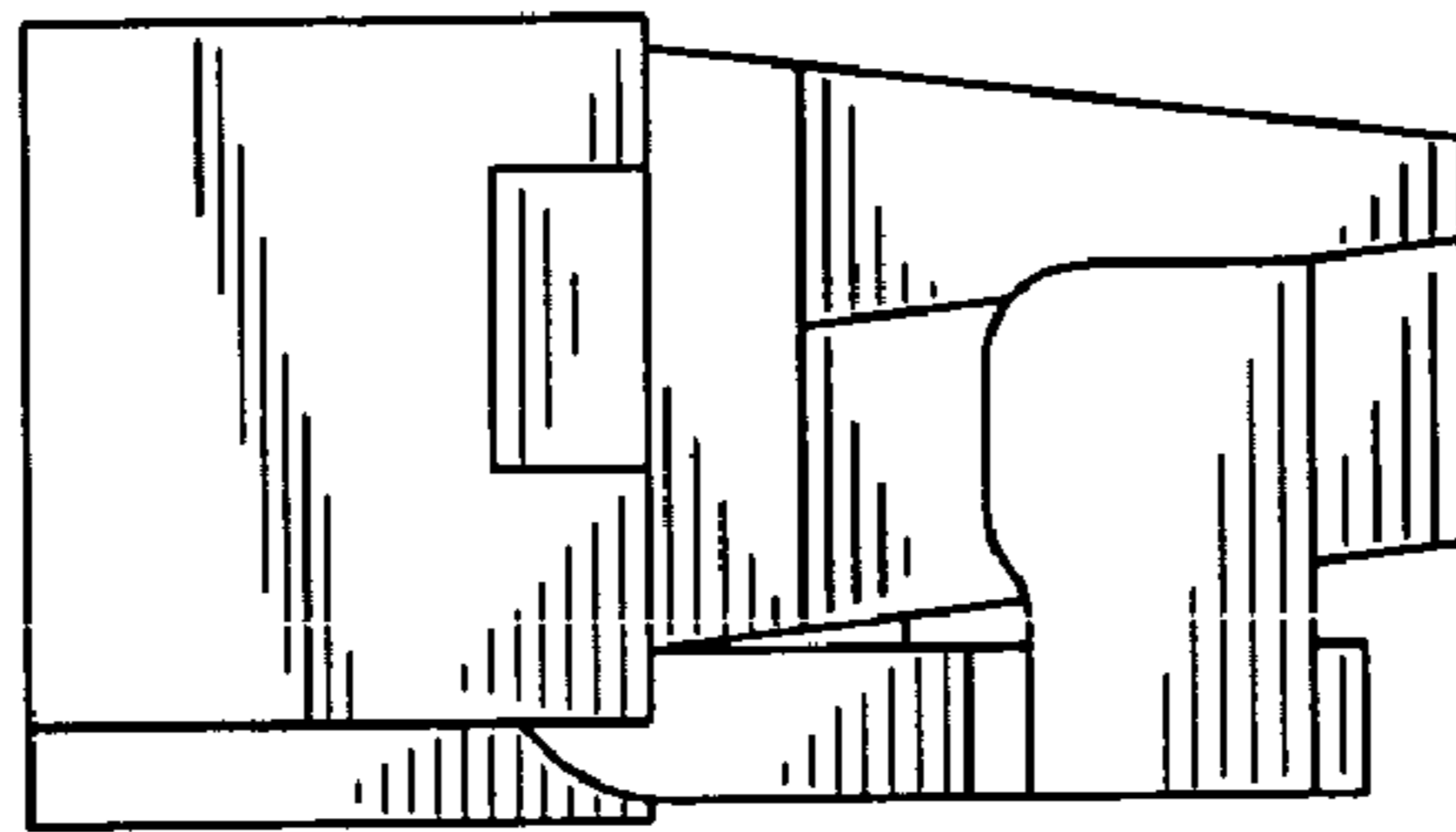


FIG. 8

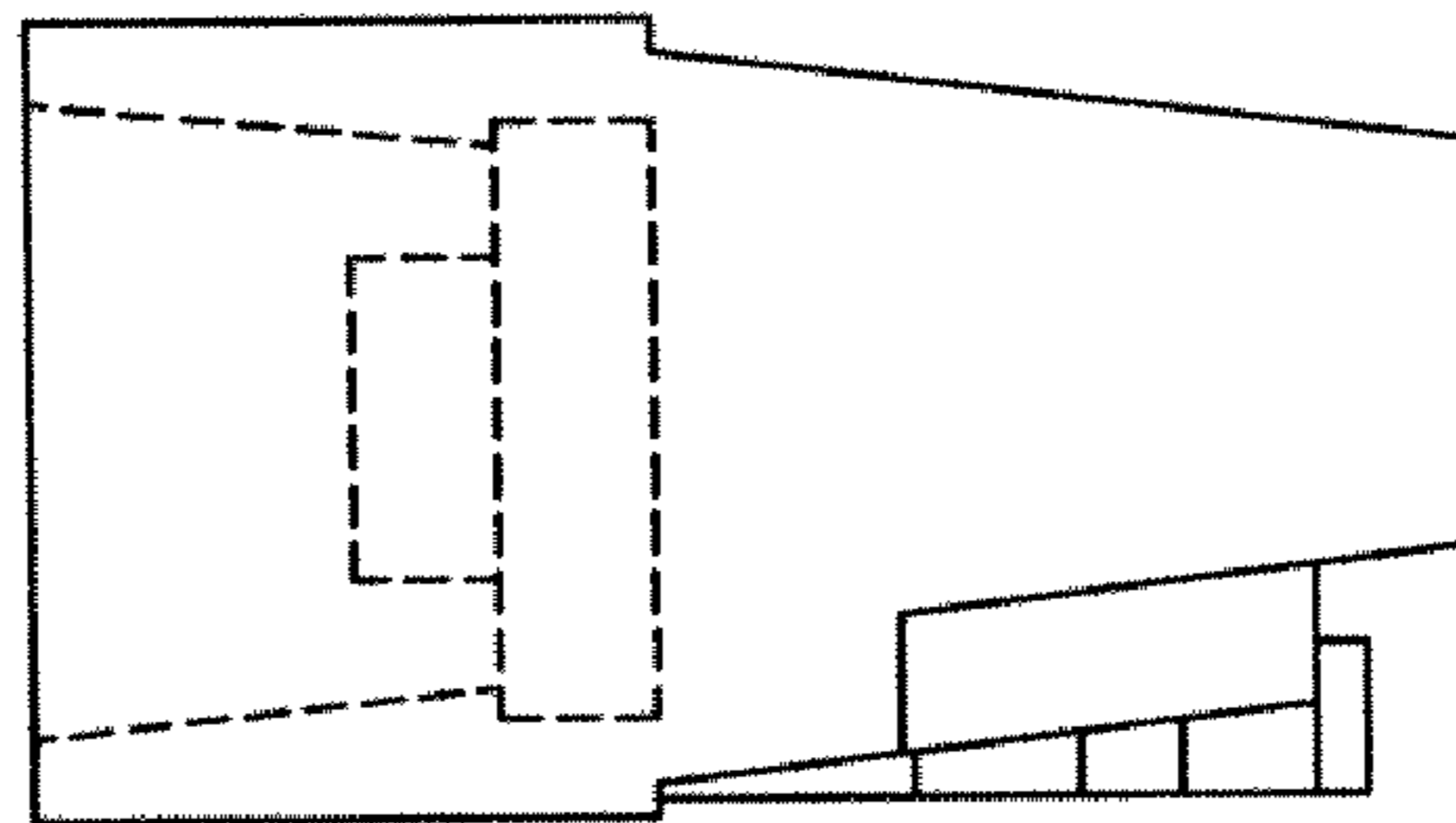


FIG. 9

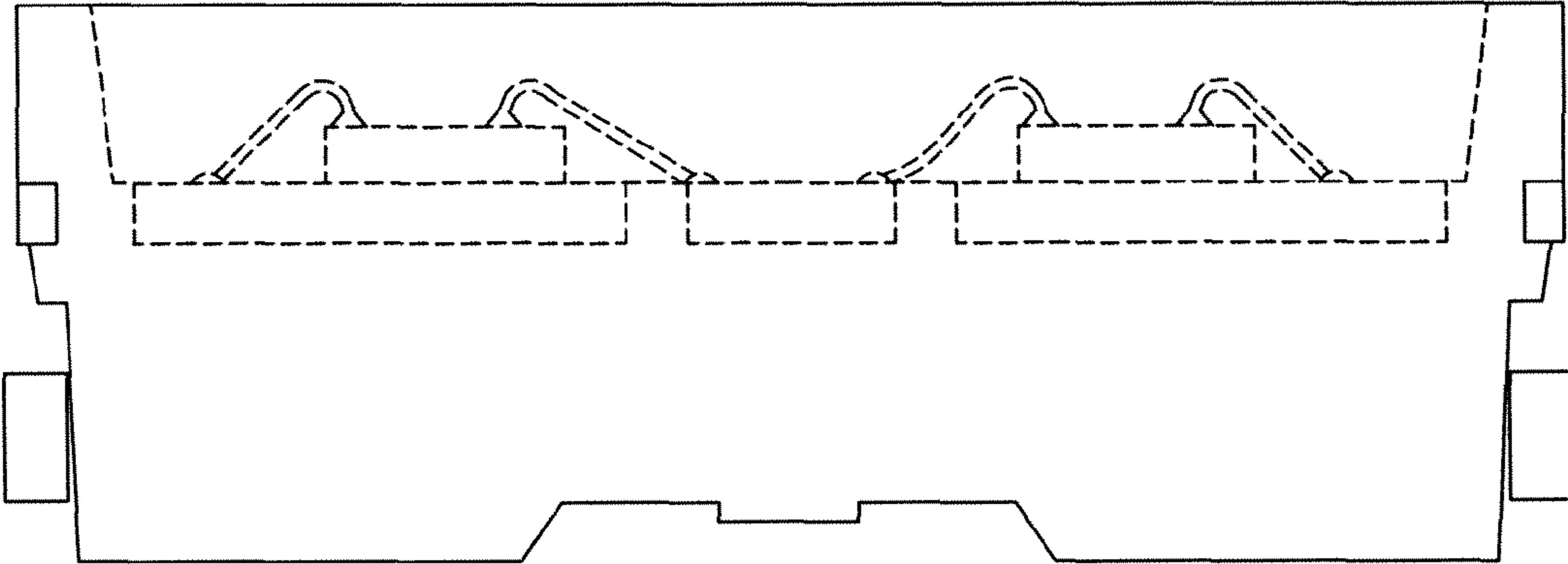


FIG. 10

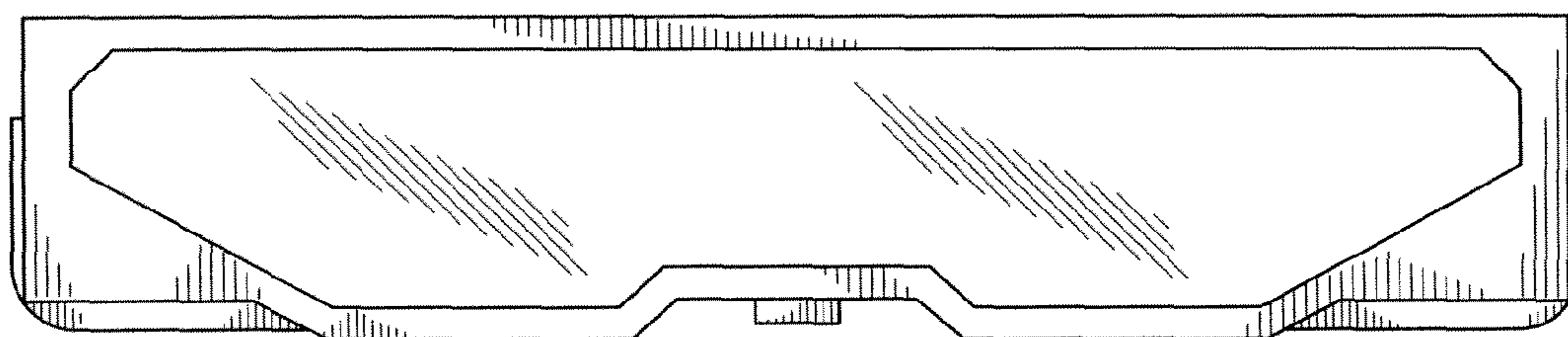


FIG. 11

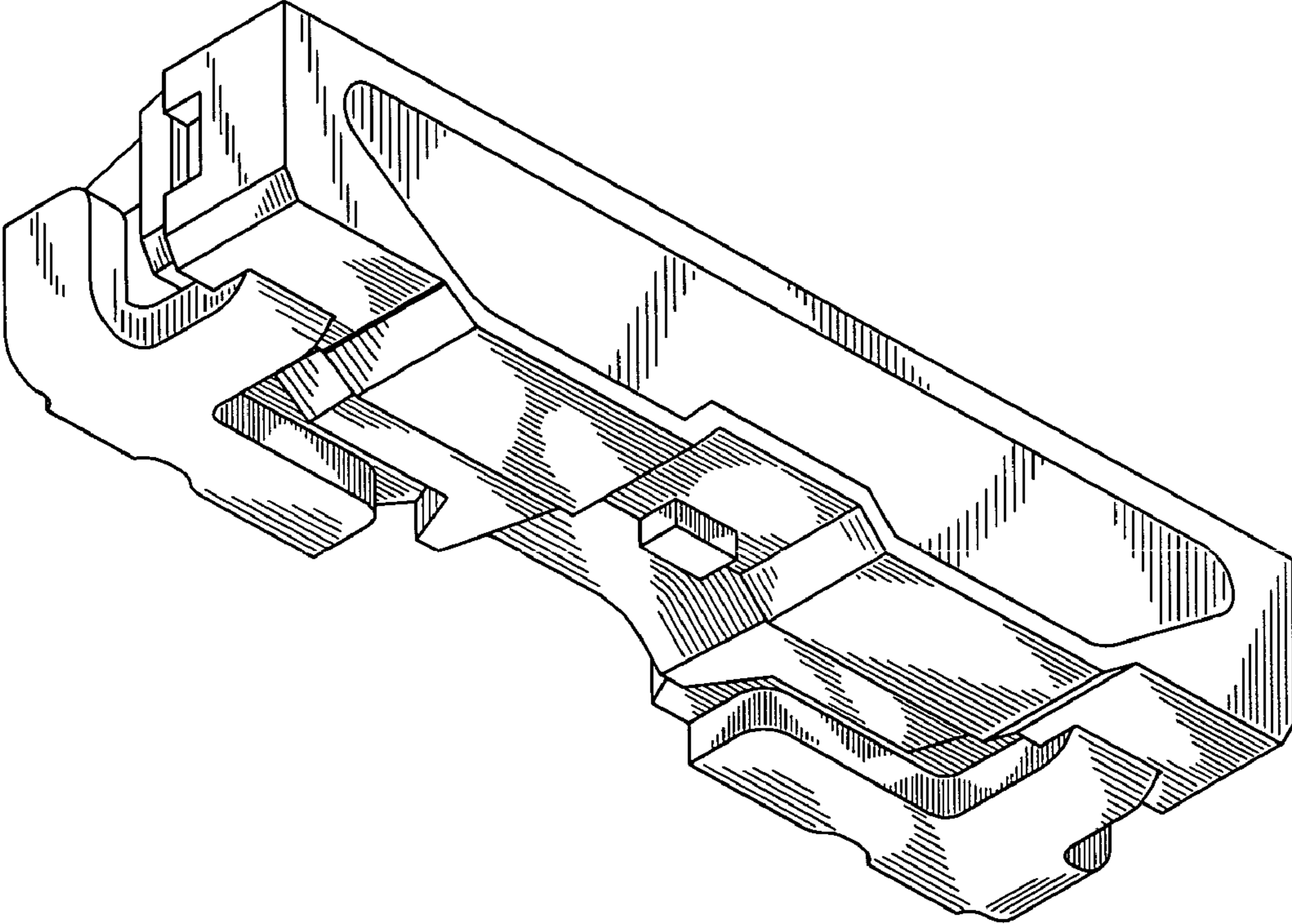


FIG. 12

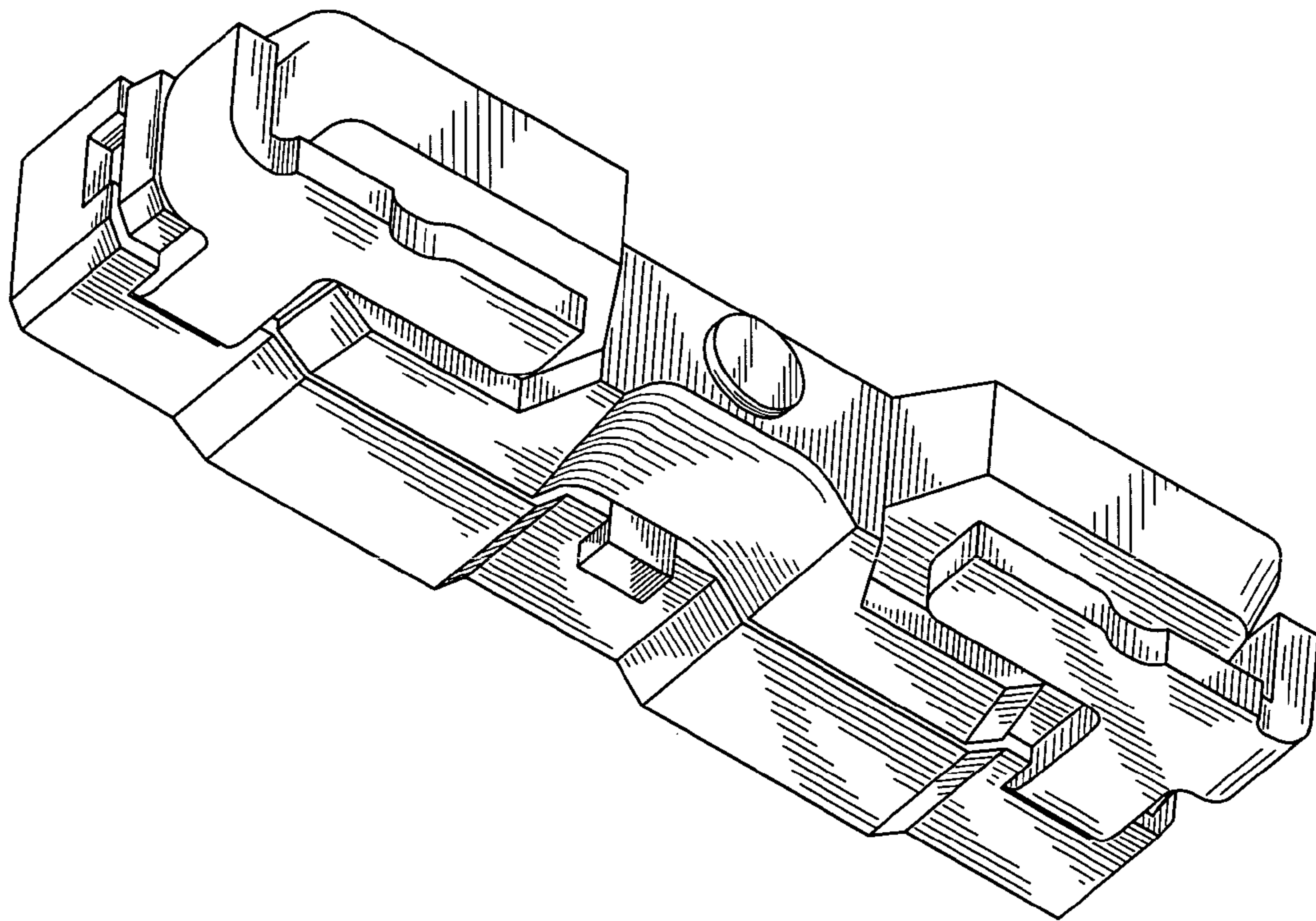


FIG. 13

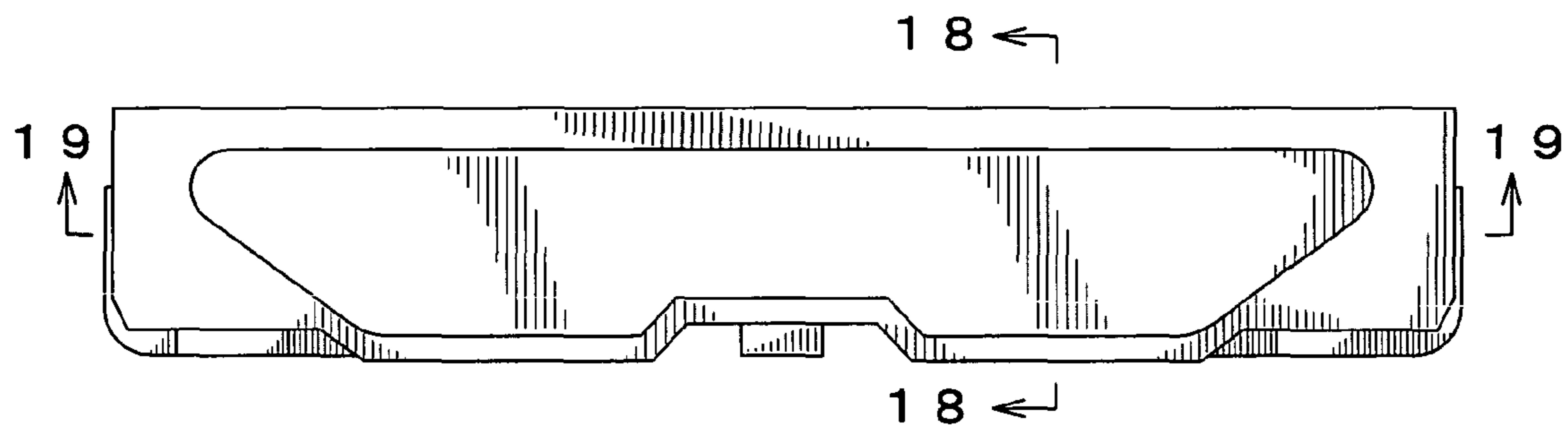


FIG. 14

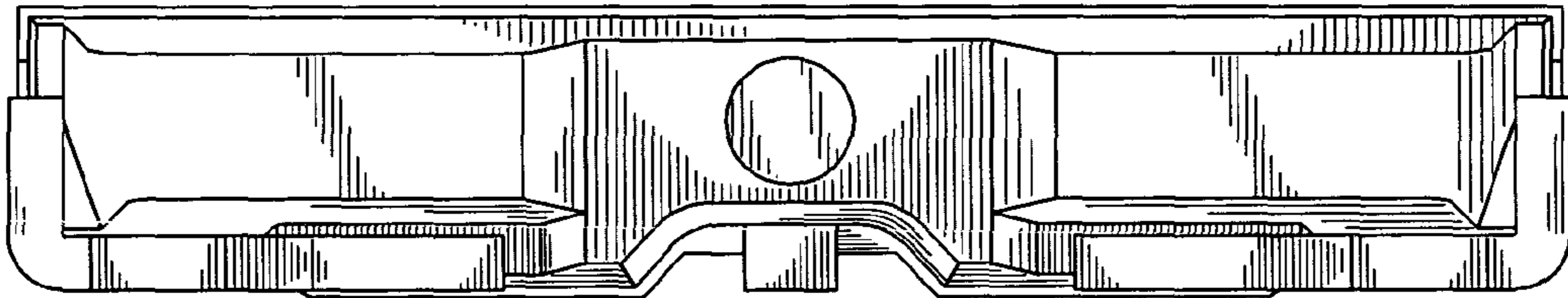


FIG. 15

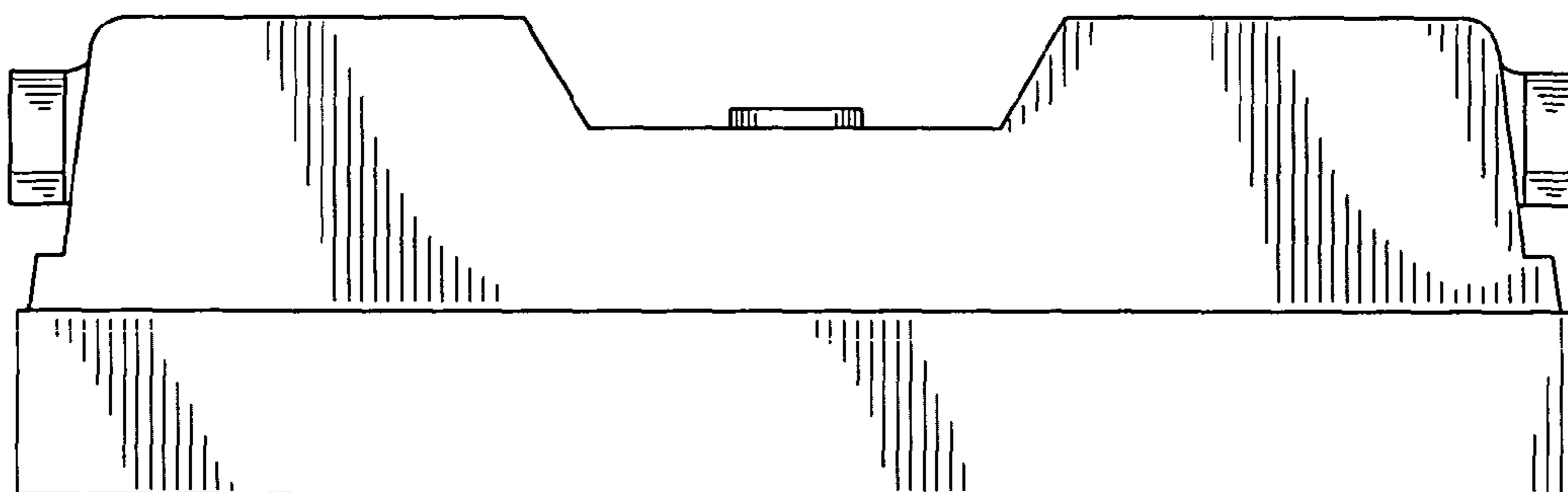


FIG. 16

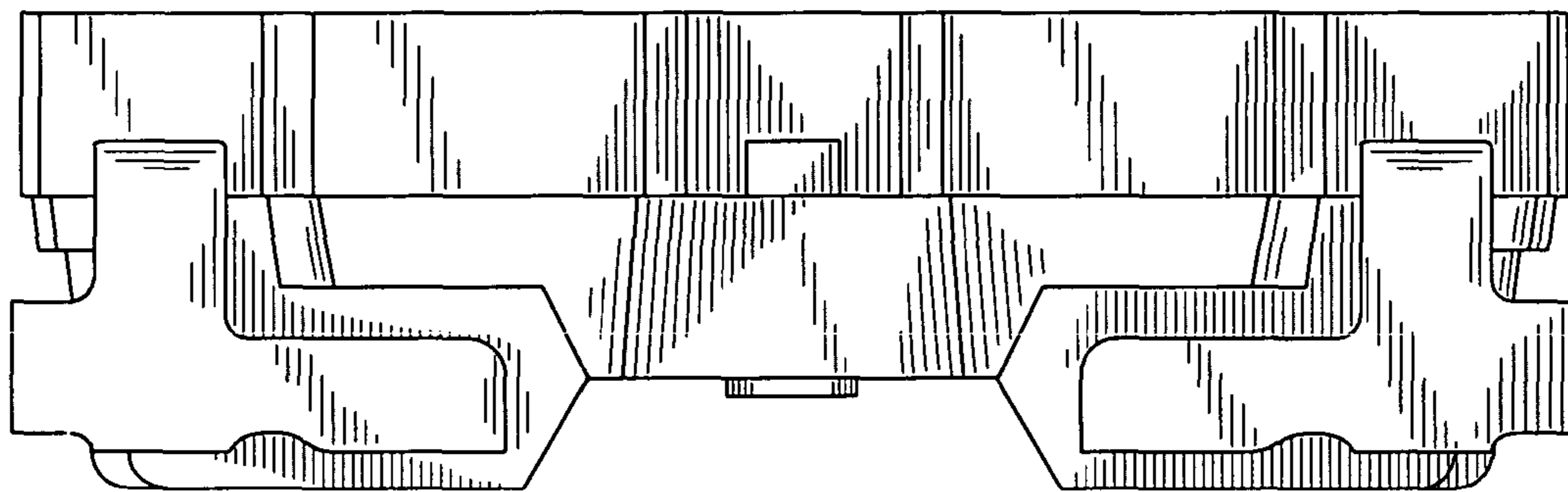


FIG. 17

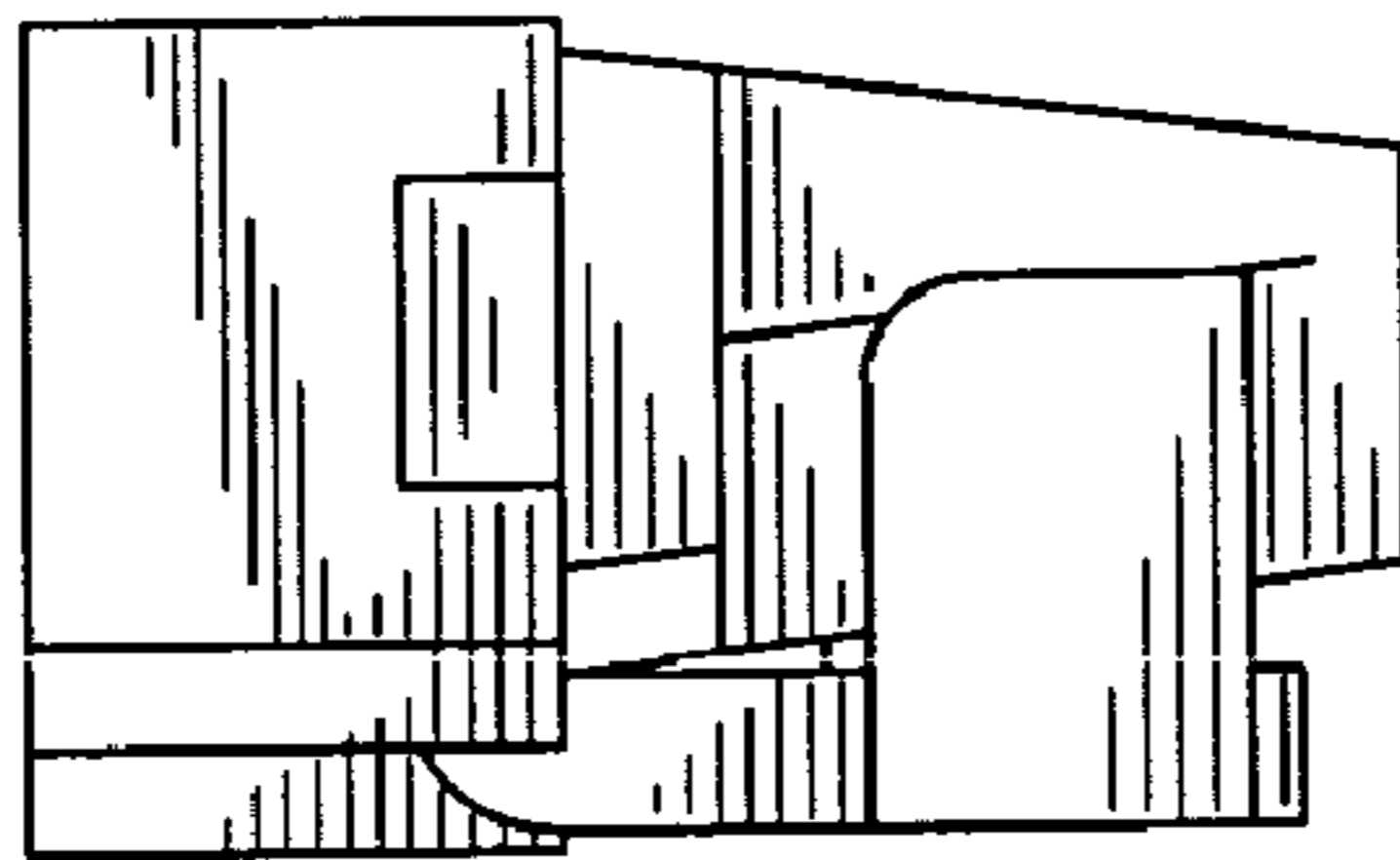


FIG. 18

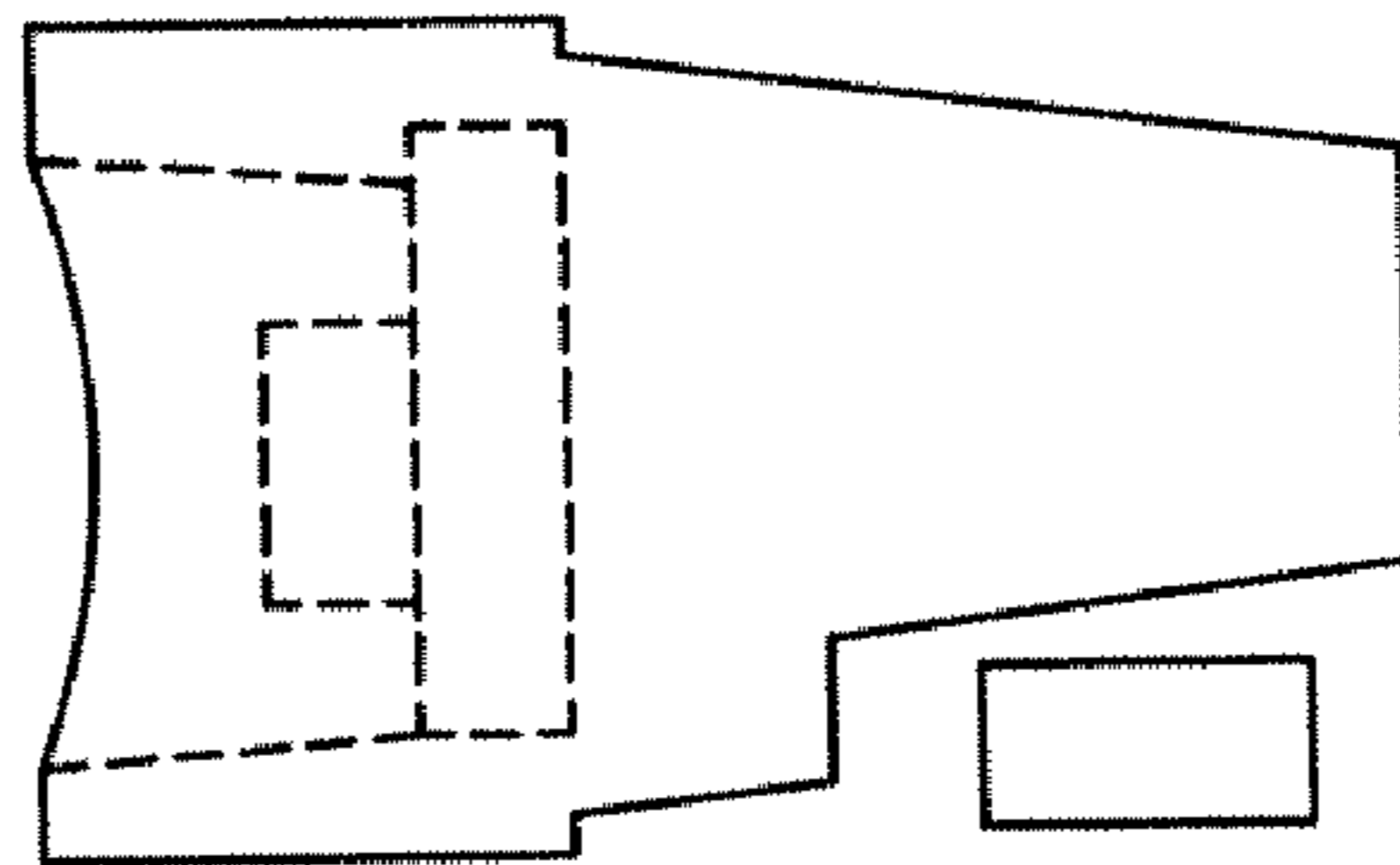


FIG. 19

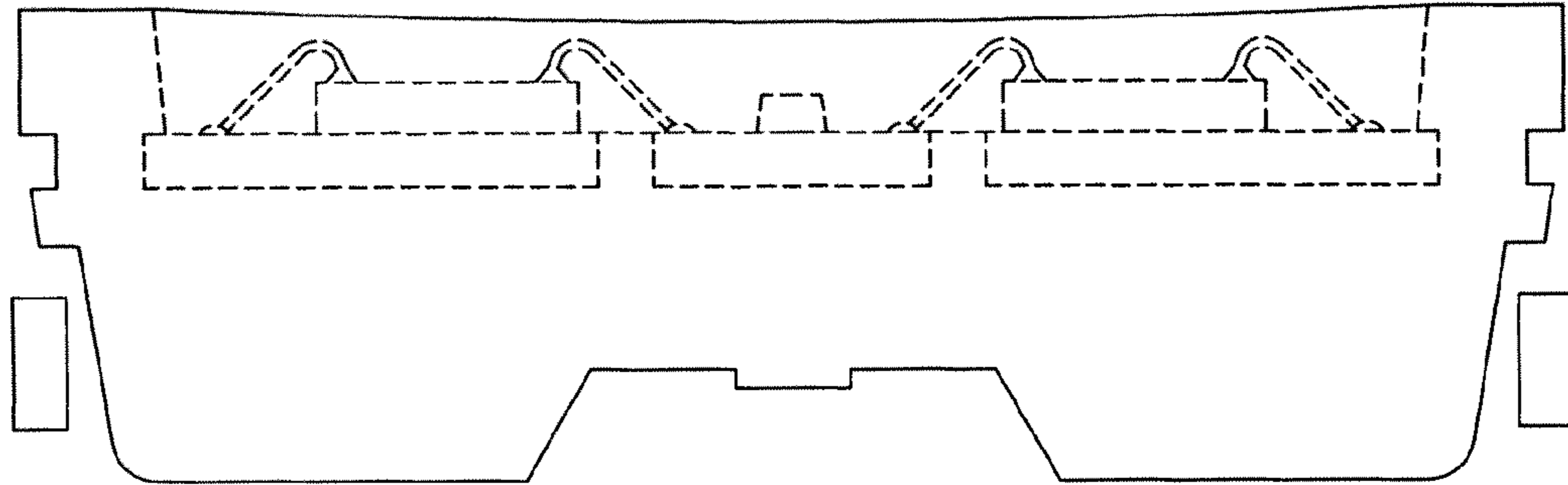


FIG. 20

