



US00D652393S

(12) **United States Design Patent**
Suzuki

(10) **Patent No.:** **US D652,393 S**
(45) **Date of Patent:** **** Jan. 17, 2012**

(54) **REMOTE CONTROLLER**

(75) Inventor: **Shogo Suzuki**, Kanagawa-ken (JP)

(73) Assignee: **Kabushiki Kaisha Toshiba**, Minato-ku, Tokyo (JP)

(**) Term: **14 Years**

(21) Appl. No.: **29/389,622**

(22) Filed: **Apr. 14, 2011**

(30) **Foreign Application Priority Data**

Feb. 28, 2011 (JP) 2011-004313

(51) **LOC (9) Cl.** **14-03**

(52) **U.S. Cl.** **D13/168**

(58) **Field of Classification Search** D13/168;
D10/21, 24; D14/300, 189, 204, 207, 212,
D14/214, 215, 218, 240; 381/336; 340/4.3,
340/4.42, 12.22, 12.23, 12.24, 12.29, 12.3,
340/13.2, 13.21, 13.24; 341/176; 345/168,
345/169; 348/734; 455/352; 463/39; 700/17,
700/65, 83

See application file for complete search history.

(56) **References Cited**

U.S. PATENT DOCUMENTS

D250,174 S * 11/1978 Hedgecock D10/1
D321,484 S * 11/1991 Yu D10/21

D328,298 S * 7/1992 Chan D14/189
D349,117 S * 7/1994 Rasansky et al. D14/218
D506,193 S * 6/2005 Shoushtari D14/300
D507,263 S * 7/2005 Narita D14/240
D541,228 S * 4/2007 Thursfield D13/168
D593,509 S * 6/2009 Glassman et al. D13/168
D601,555 S * 10/2009 Zhang et al. D14/300

FOREIGN PATENT DOCUMENTS

JP D1132113 1/2002
KR 30-0460664 8/2007

* cited by examiner

Primary Examiner — Selina Sikder

(74) *Attorney, Agent, or Firm* — Banner & Witcoff, Ltd

(57) **CLAIM**

The ornamental design for a remote controller, as shown and described.

DESCRIPTION

FIG. 1 is a top perspective view of a remote controller showing my new design,
FIG. 2 is a bottom perspective view thereof,
FIG. 3 is a front elevational view thereof,
FIG. 4 is a rear elevational view thereof,
FIG. 5 is a top plan view thereof,
FIG. 6 is a bottom plan view thereof,
FIG. 7 is a right side elevational view thereof; and,
FIG. 8 is a left side elevational view thereof.

1 Claim, 6 Drawing Sheets

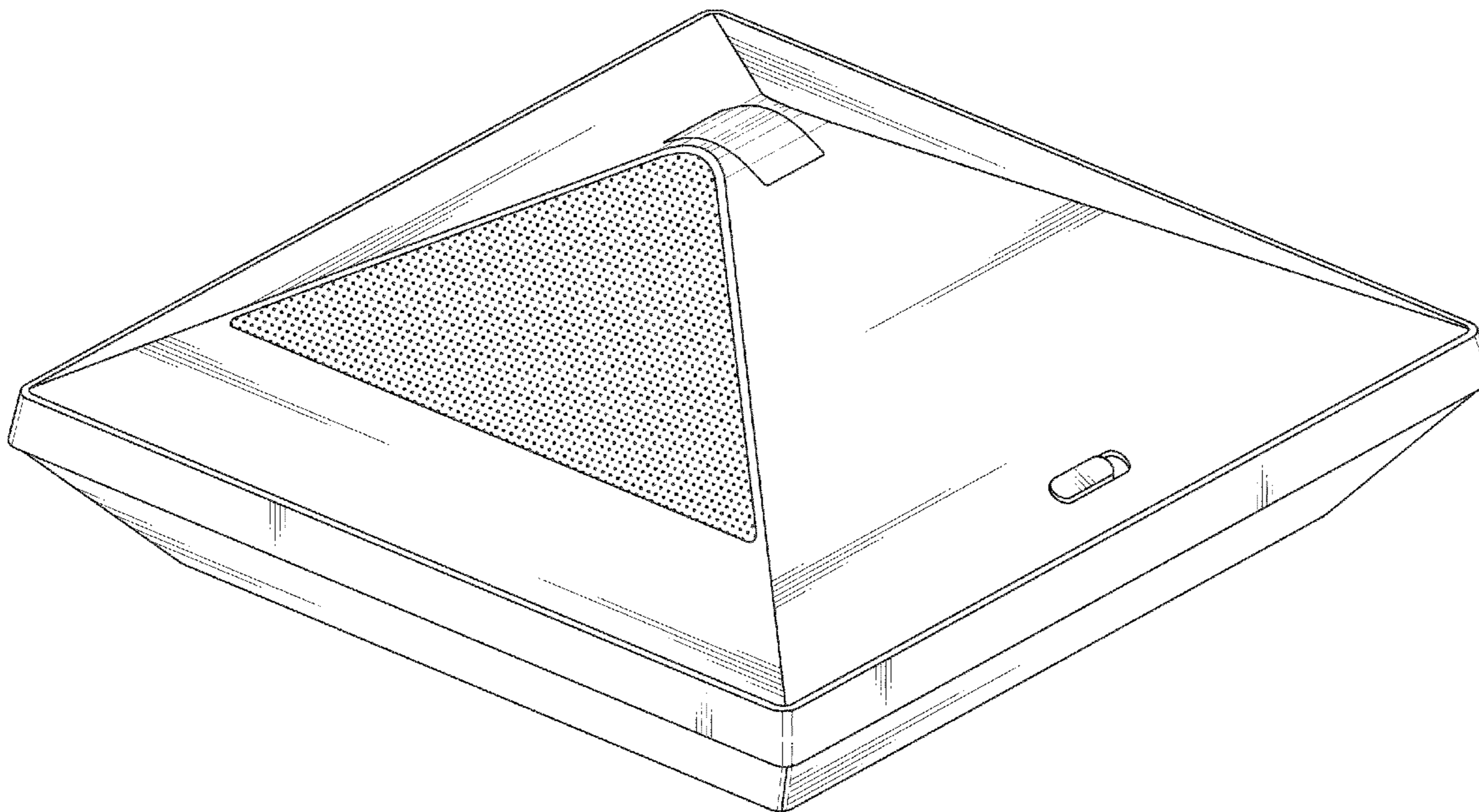


Fig. 1

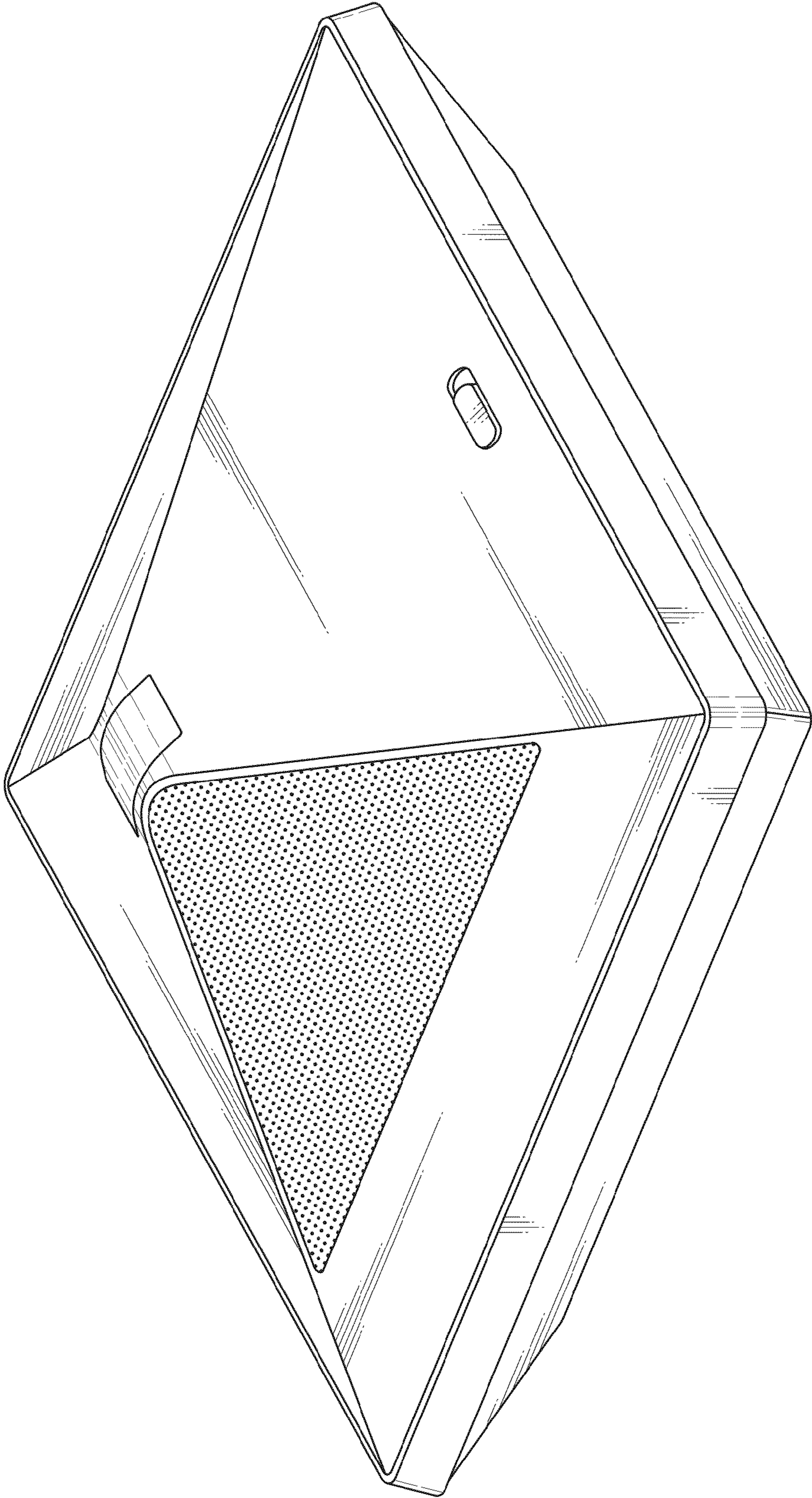


Fig. 2

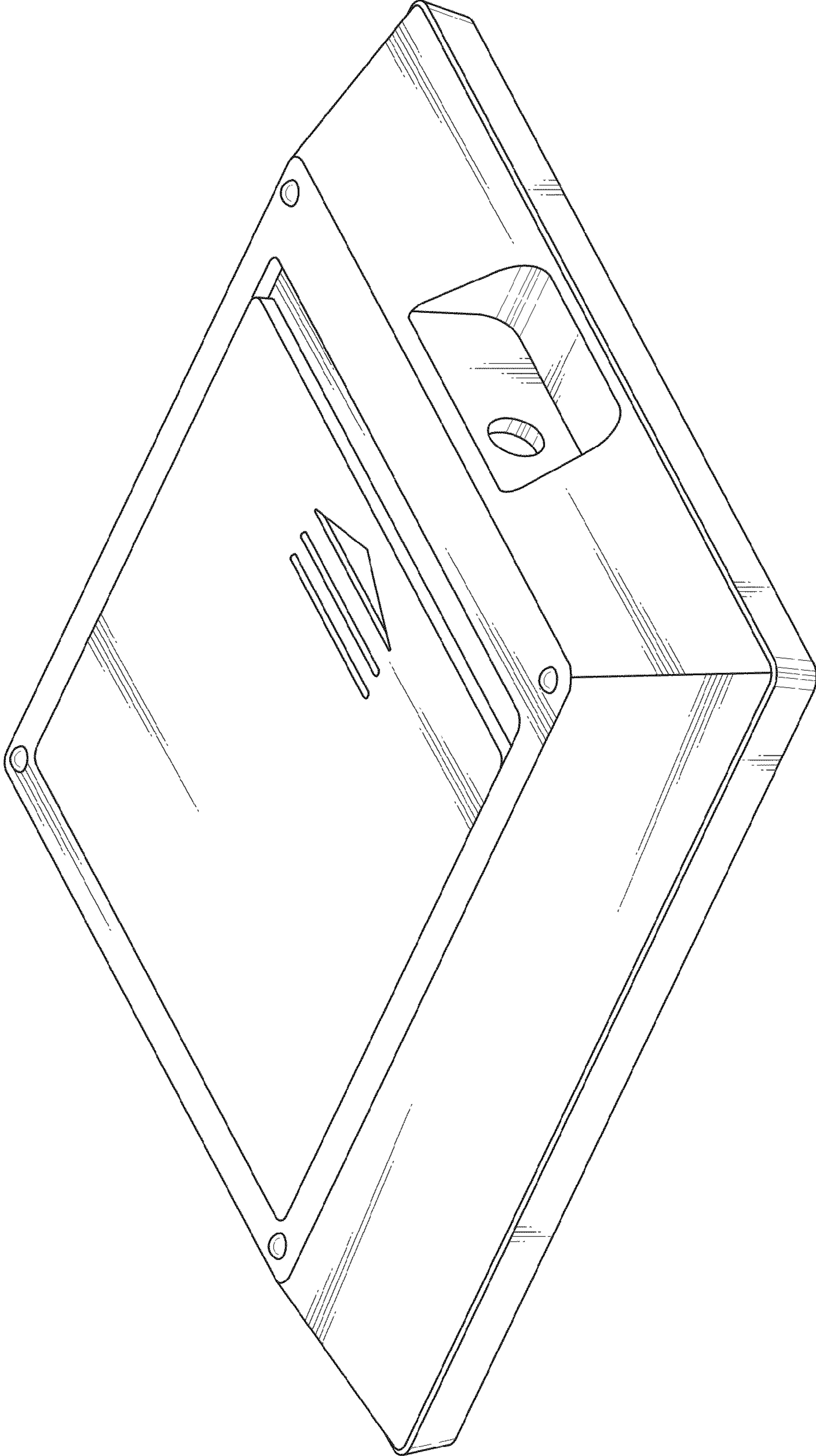


Fig. 3

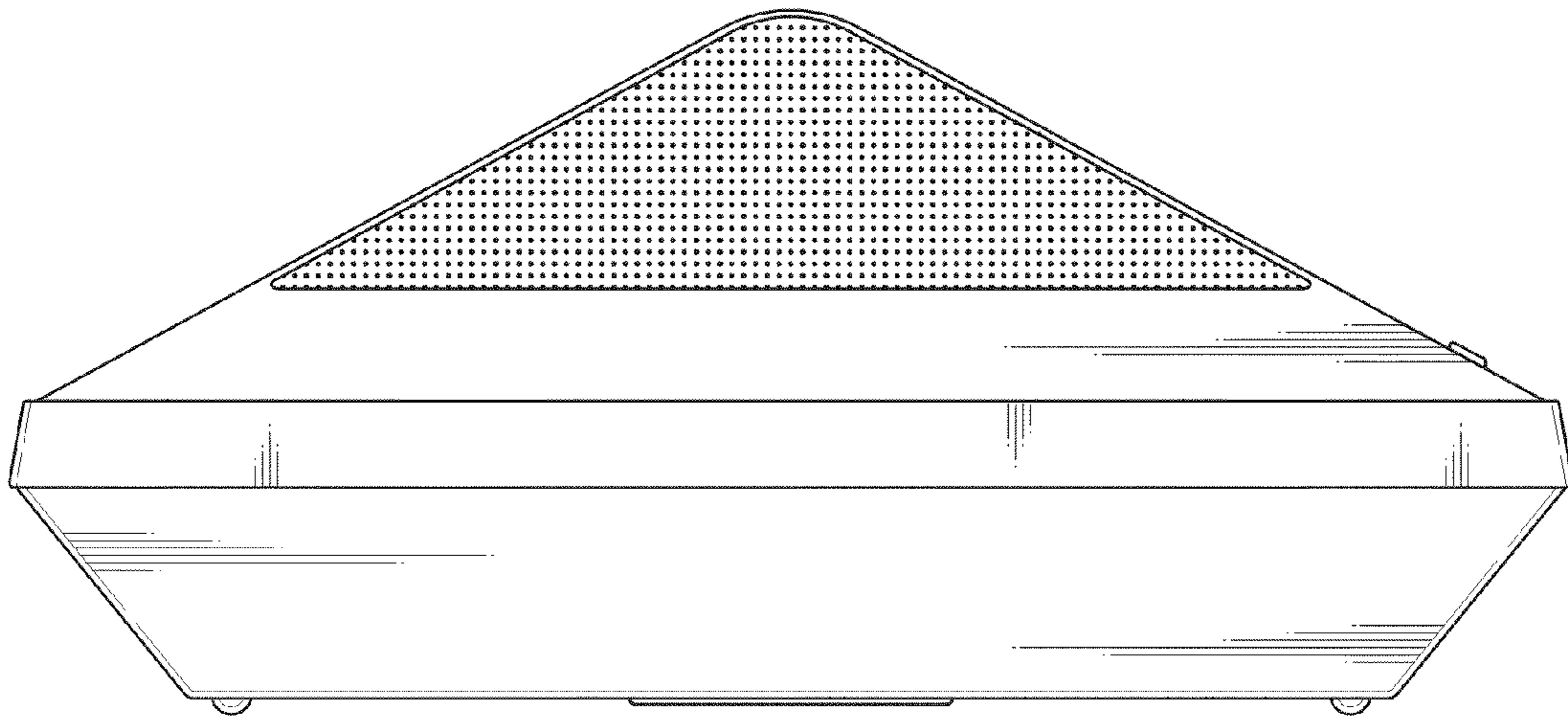


Fig. 4

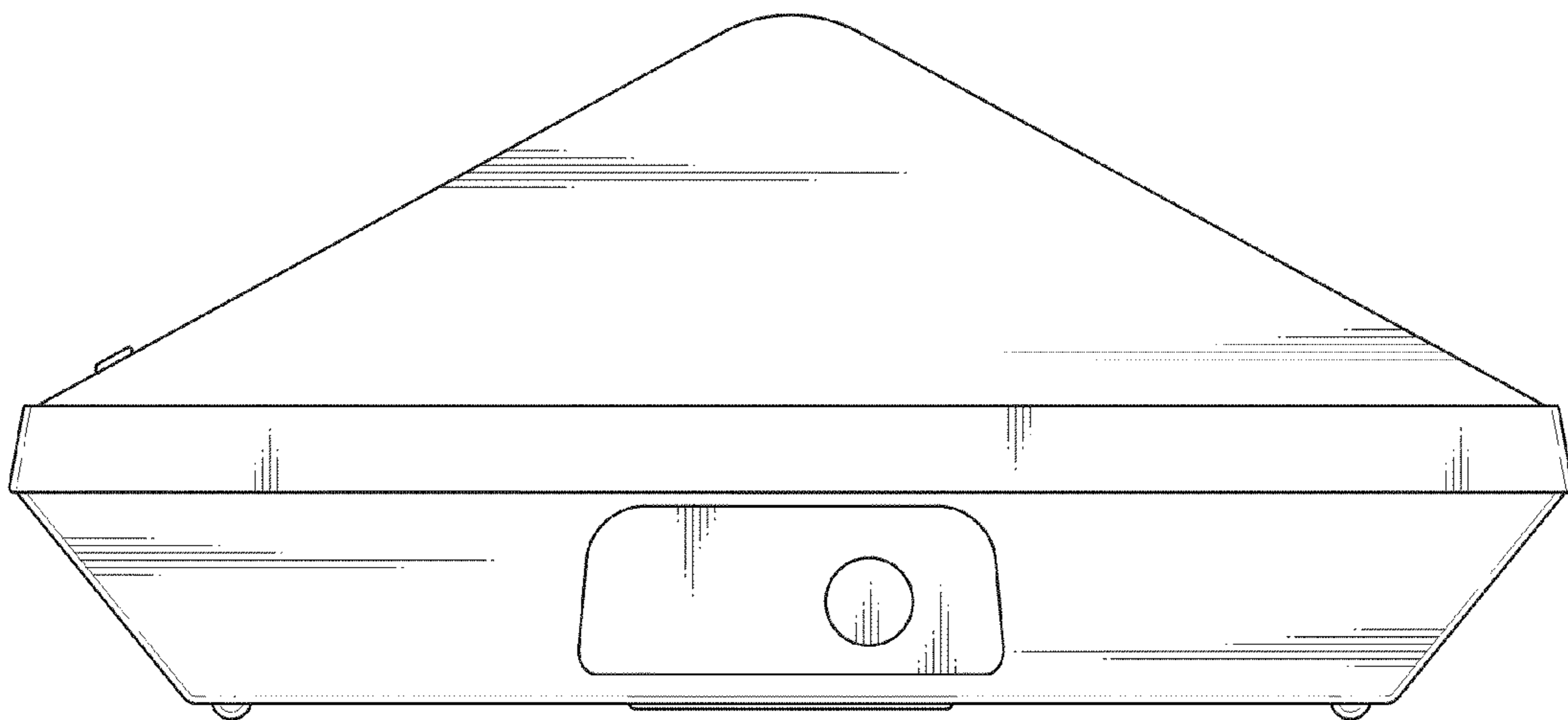


Fig. 5

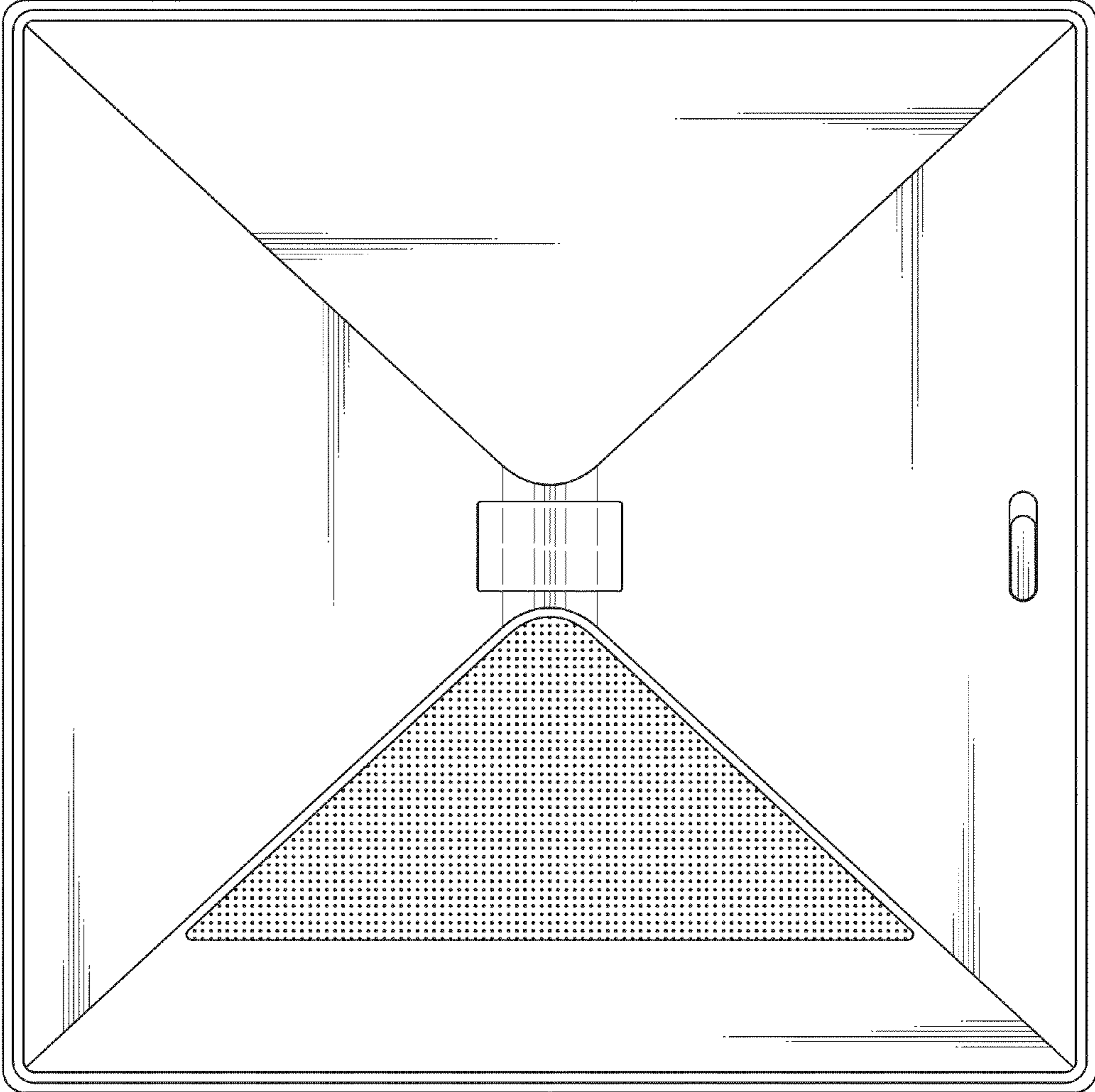


Fig. 6

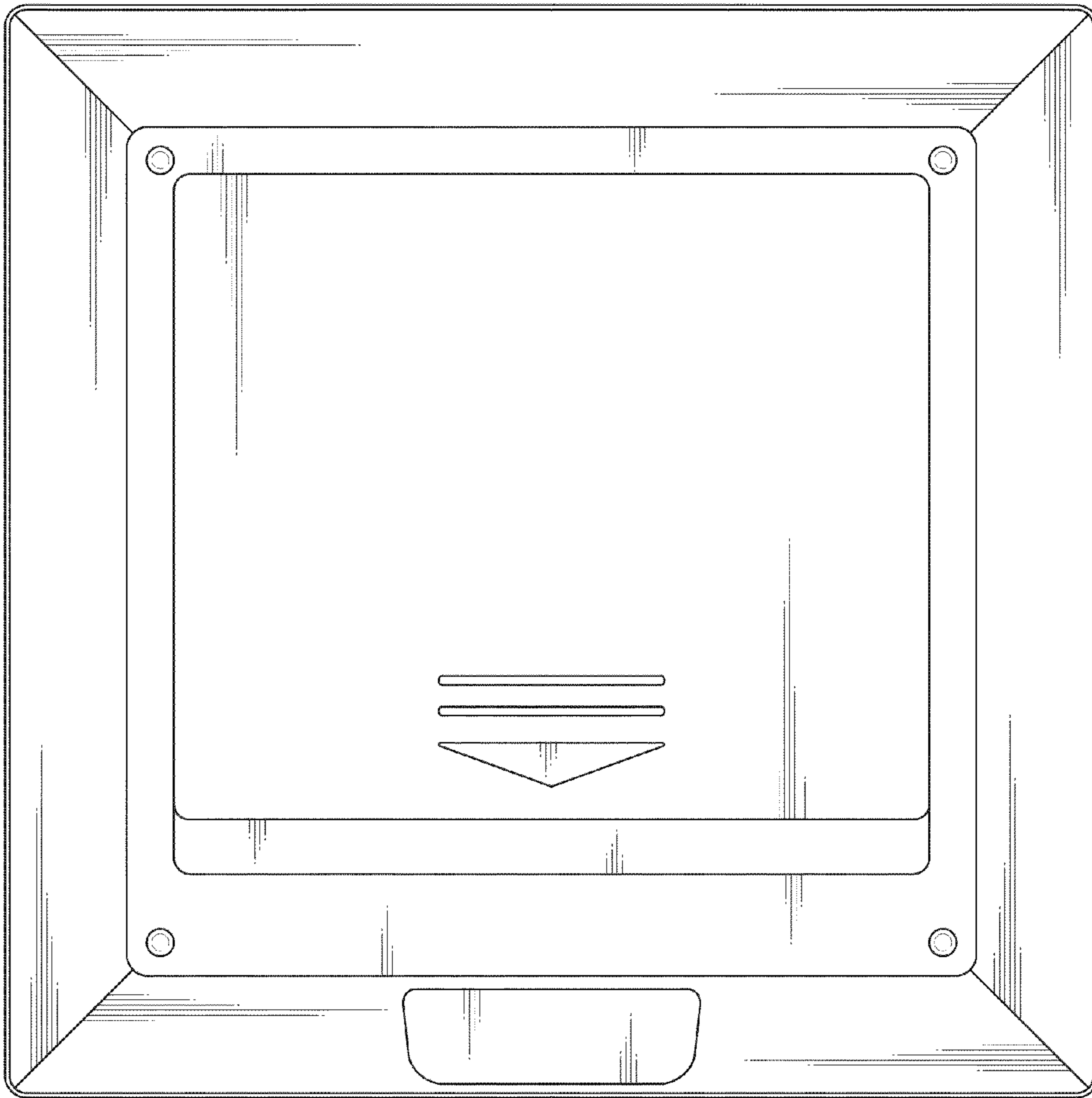


Fig. 7

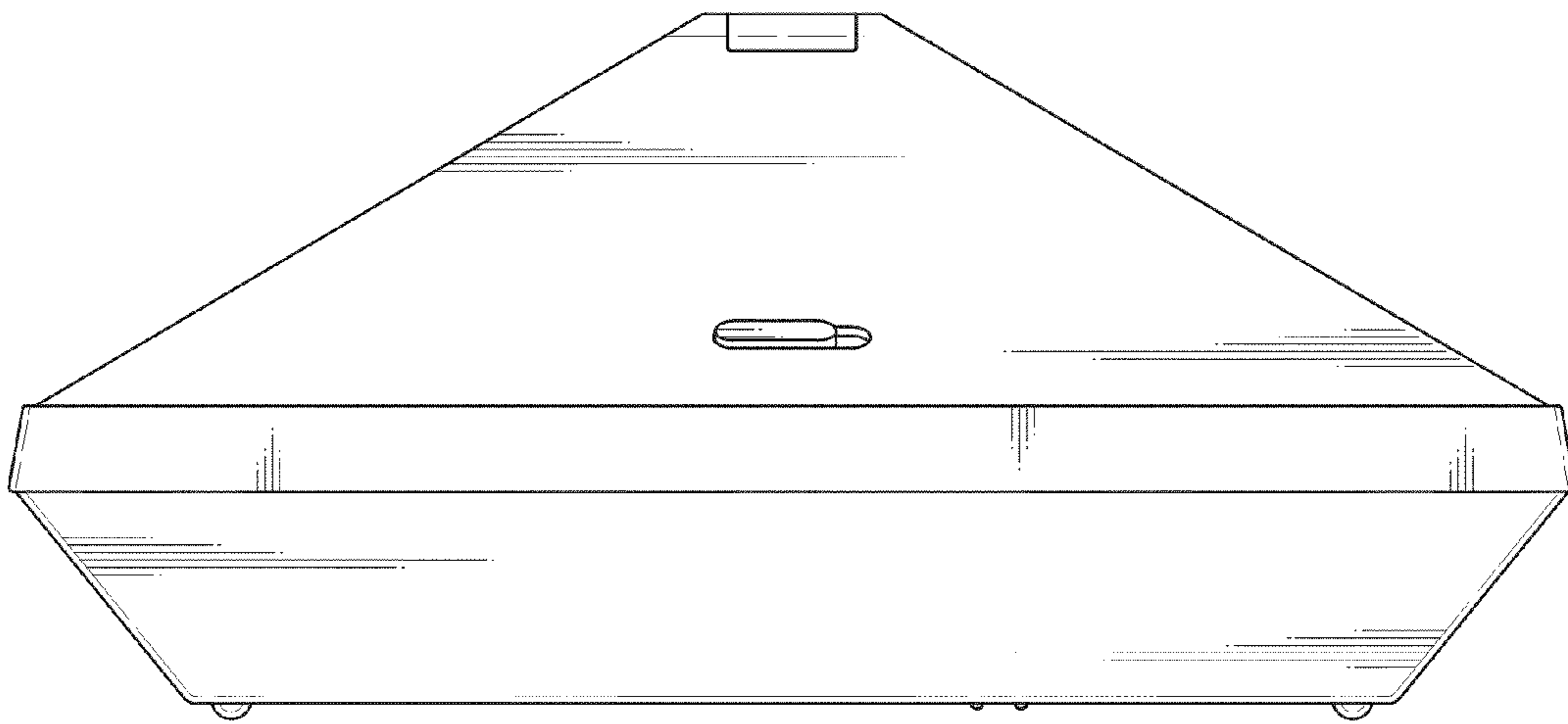


Fig. 8

