

US00D652392S

(12) **United States Design Patent**
Duckworth et al.

(10) **Patent No.:** **US D652,392 S**
(45) **Date of Patent:** **** Jan. 17, 2012**

(54) **ELECTRICAL DEVICE**

(75) Inventors: **Paul Duckworth**, Holland, MI (US);
Gordon Stannis, Saugatuck, MI (US);
Kent Pilcher, Holland, MI (US); **Grant Carmichael**, Grand Rapids, MI (US);
Renjith Mathew, New Hyde Park, NY (US); **Selin Glickman**, Woodbury, NY (US); **Cheryl Samartano**, North Baldwin, NY (US)

(73) Assignee: **Leviton Manufacturing Co., Inc.**, Melville, NY (US)

(**) Term: **14 Years**

(21) Appl. No.: **29/392,713**

(22) Filed: **May 25, 2011**

Related U.S. Application Data

(62) Division of application No. 29/346,227, filed on Oct. 28, 2009, now Pat. No. Des. 640,640.

(51) **LOC (9) Cl.** **13-03**

(52) **U.S. Cl.** **D13/162**

(58) **Field of Classification Search** D13/158,
D13/162, 164, 168, 177, 184, 199; D8/302,
D8/315; 200/1 R, 5 R, 52 R, 81 R, 81.4,
200/83, 83 Q, 315, 310, 6 A, 302.1, 308,
200/314, 317, 520; 296/153; 297/411.21;
307/10.1; 362/501, 23, 276, 29, 464, 802,
362/85; D10/85, 96

See application file for complete search history.

(56) **References Cited**

U.S. PATENT DOCUMENTS

D275,194 S * 8/1984 Walker D13/162
D351,141 S * 10/1994 Van Akkeren et al. D13/168
D364,850 S * 12/1995 Estrada et al. D14/346

D450,305 S * 11/2001 Masuzoe et al. D13/168
D639,751 S * 6/2011 Tucker et al. D13/168
D640,640 S * 6/2011 Duckworth et al. D13/162

* cited by examiner

Primary Examiner — Thomas Johannes

(74) *Attorney, Agent, or Firm* — Marger Johnson & McCollom PC

(57) **CLAIM**

The ornamental design for an electrical device, as shown and described.

DESCRIPTION

A portion of the disclosure of this patent document contains material which is subject to copyright protection. The copyright owner has no objection to the facsimile reproduction by anyone of the patent disclosure, as it appears in the Patent and Trademark Office patent files or records, but otherwise reserves all copyright rights whatsoever.

FIG. 1 is a front elevation view of an electrical device showing our new design in a typical usage configuration;

FIG. 2 is a back elevation view thereof;

FIG. 3 is a left side elevation view thereof;

FIG. 4 is a right side elevation view thereof;

FIG. 5 is a top plan view thereof;

FIG. 6 is a bottom plan view thereof;

FIG. 7 is a front perspective view thereof;

FIG. 8 is a front elevation view of an electrical device showing our new design in an alternate typical usage configuration;

FIG. 9 is a back elevation view thereof;

FIG. 10 is a left side elevation view thereof;

FIG. 11 is a right side elevation view thereof;

FIG. 12 is a top plan view thereof;

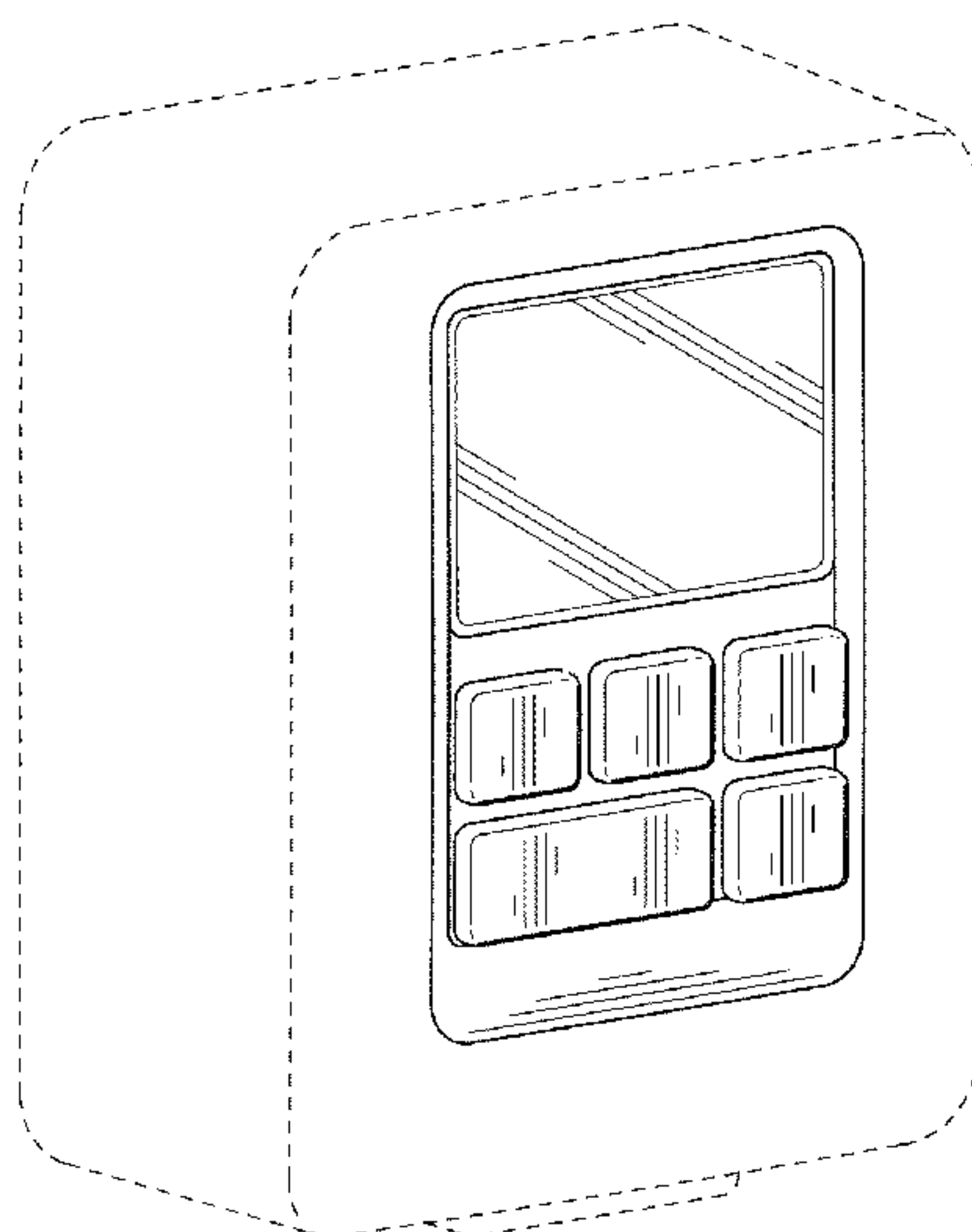
FIG. 13 is a bottom plan view thereof; and,

FIG. 14 is a front perspective view thereof.

The claimed design can be used, for example, as a plug-in timer.

The broken lines show unclaimed subject matter and form no part of the claimed design.

1 Claim, 9 Drawing Sheets



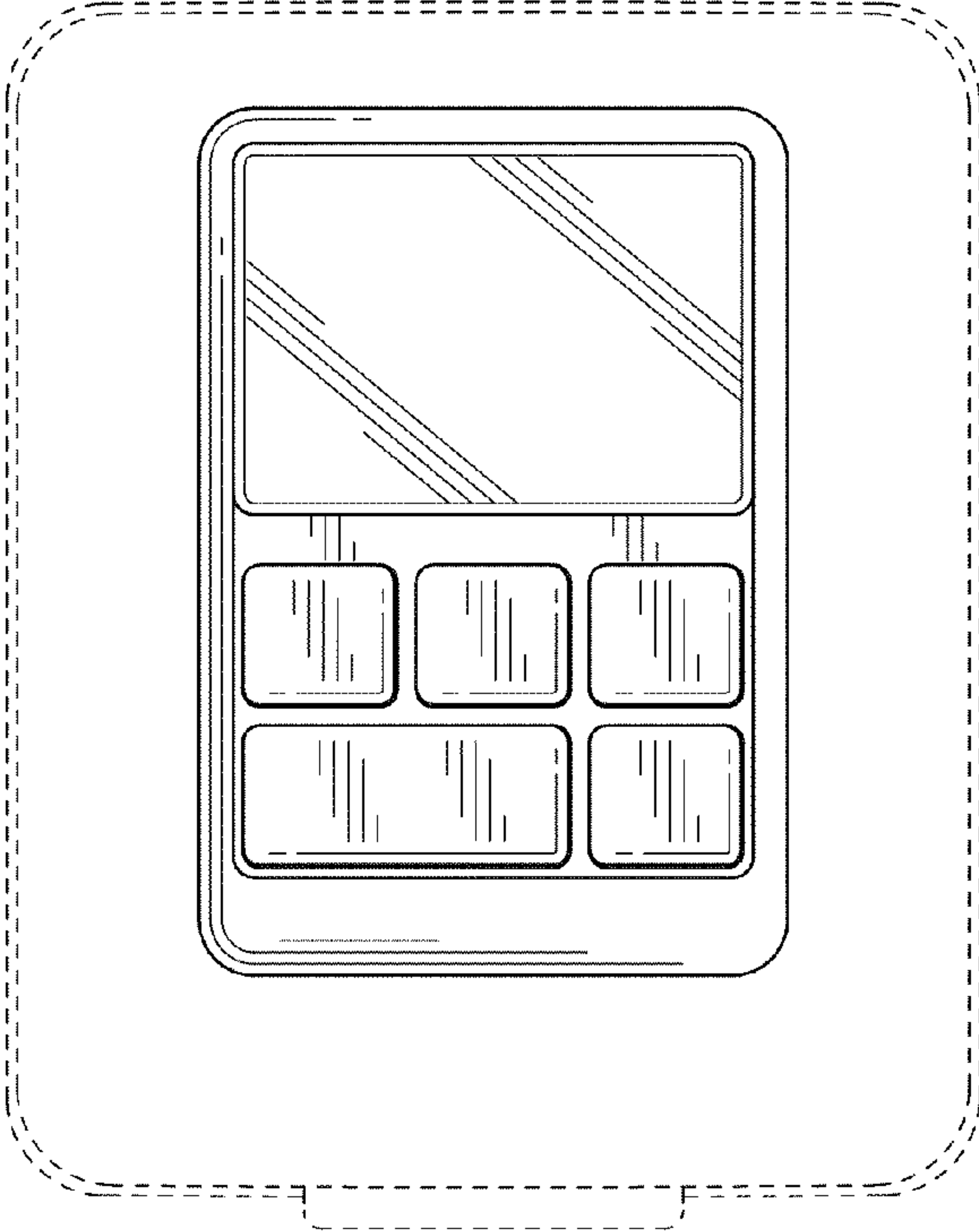


FIG. 1

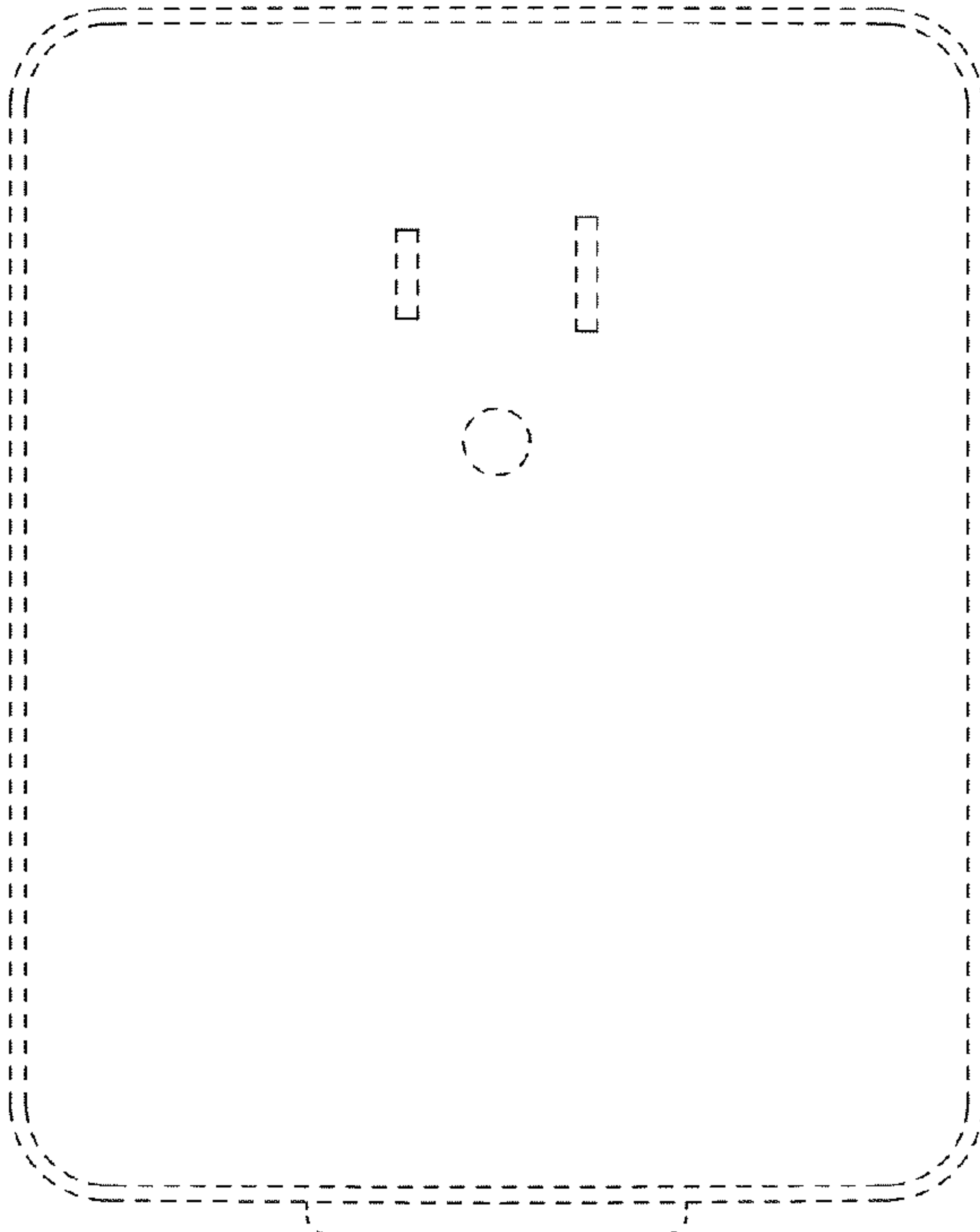


FIG. 2

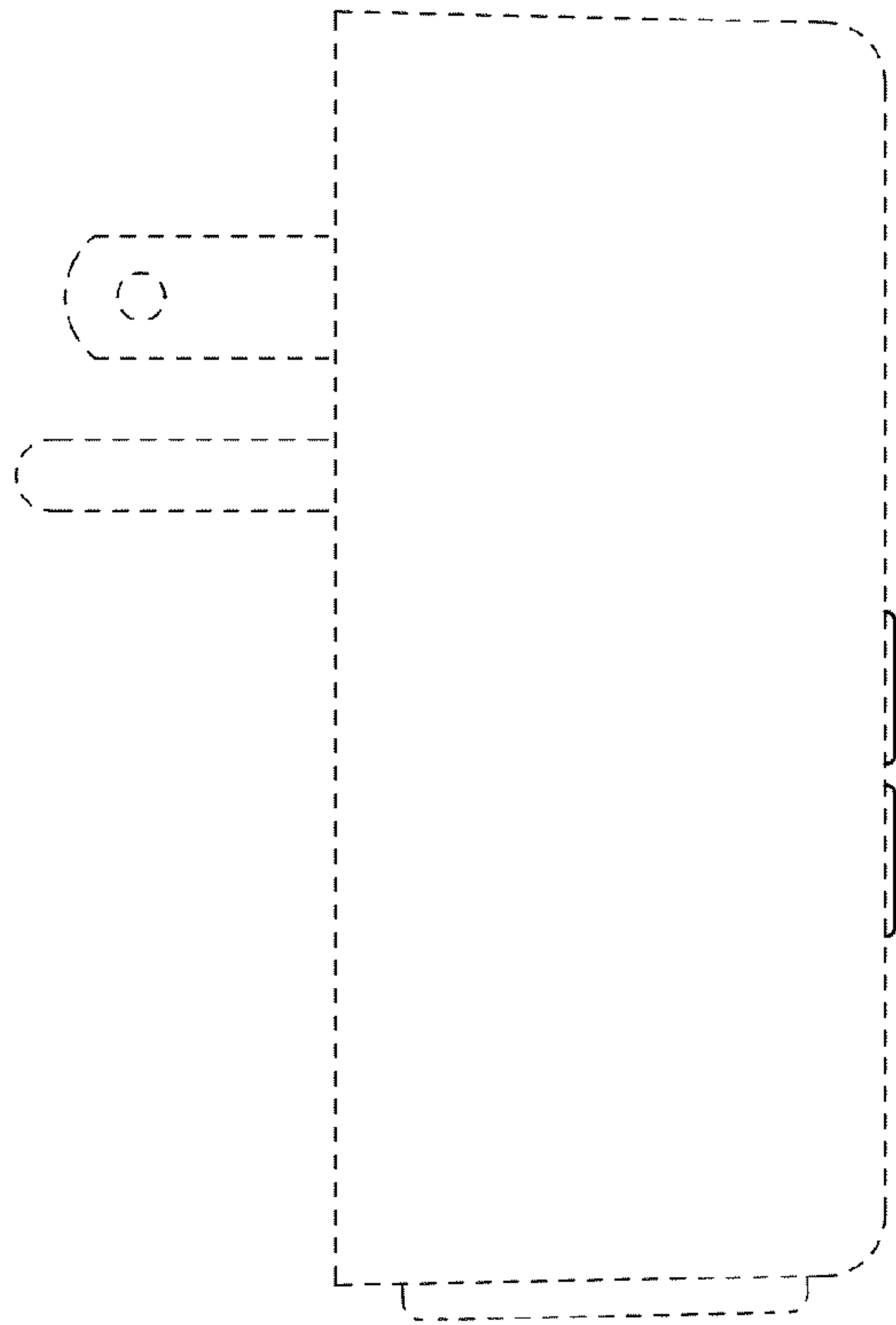


FIG.3

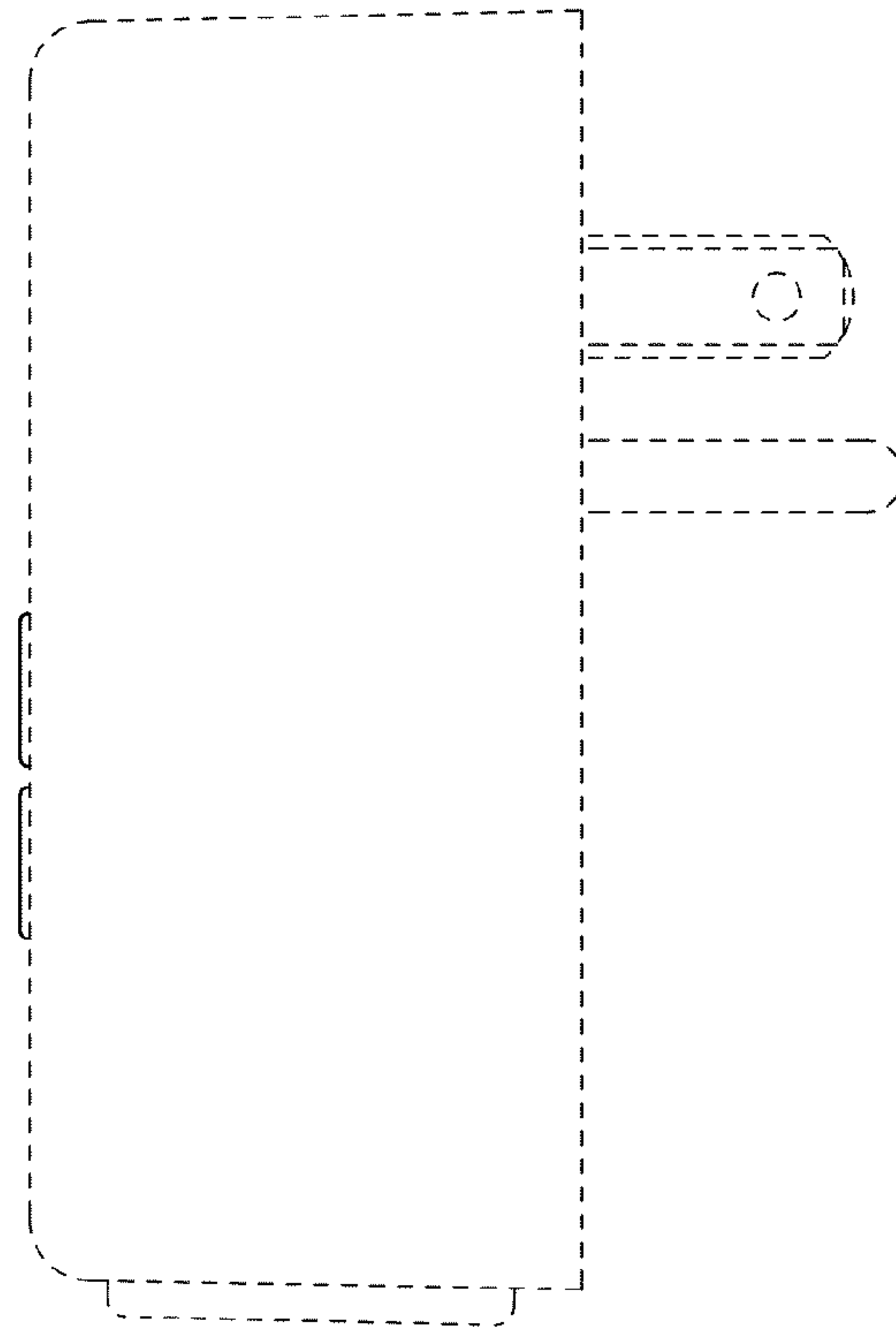


FIG.4

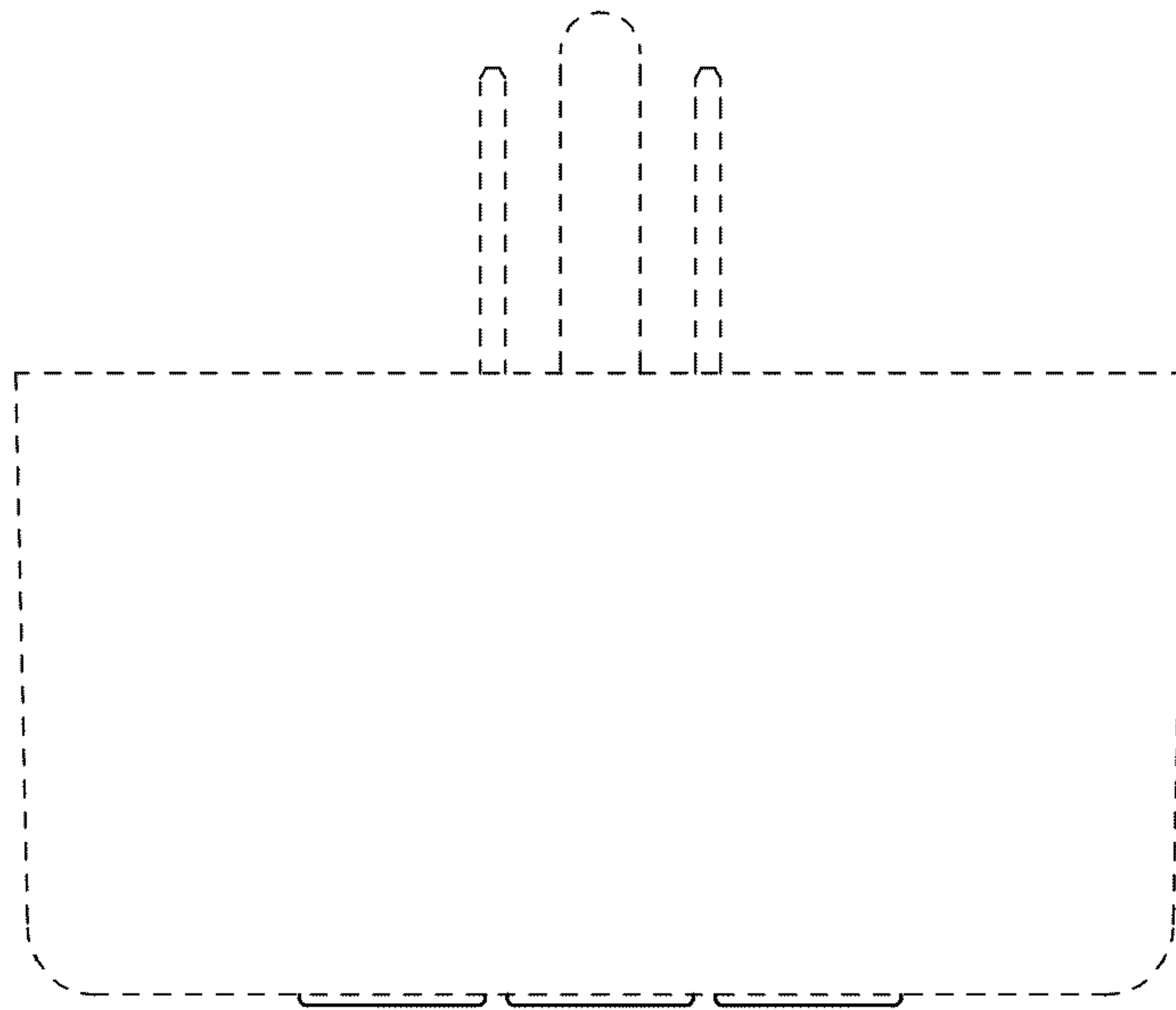


FIG.5

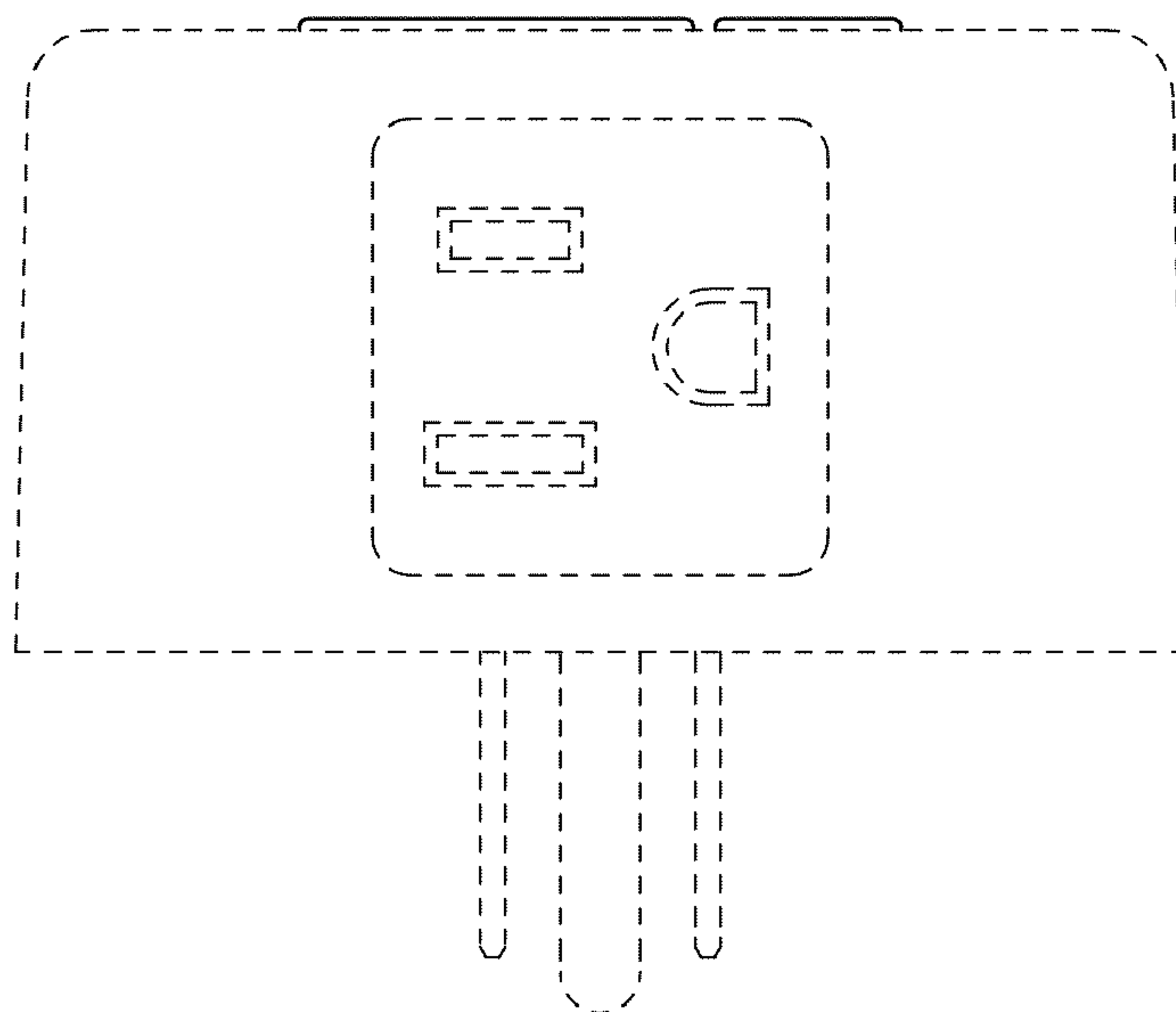


FIG.6

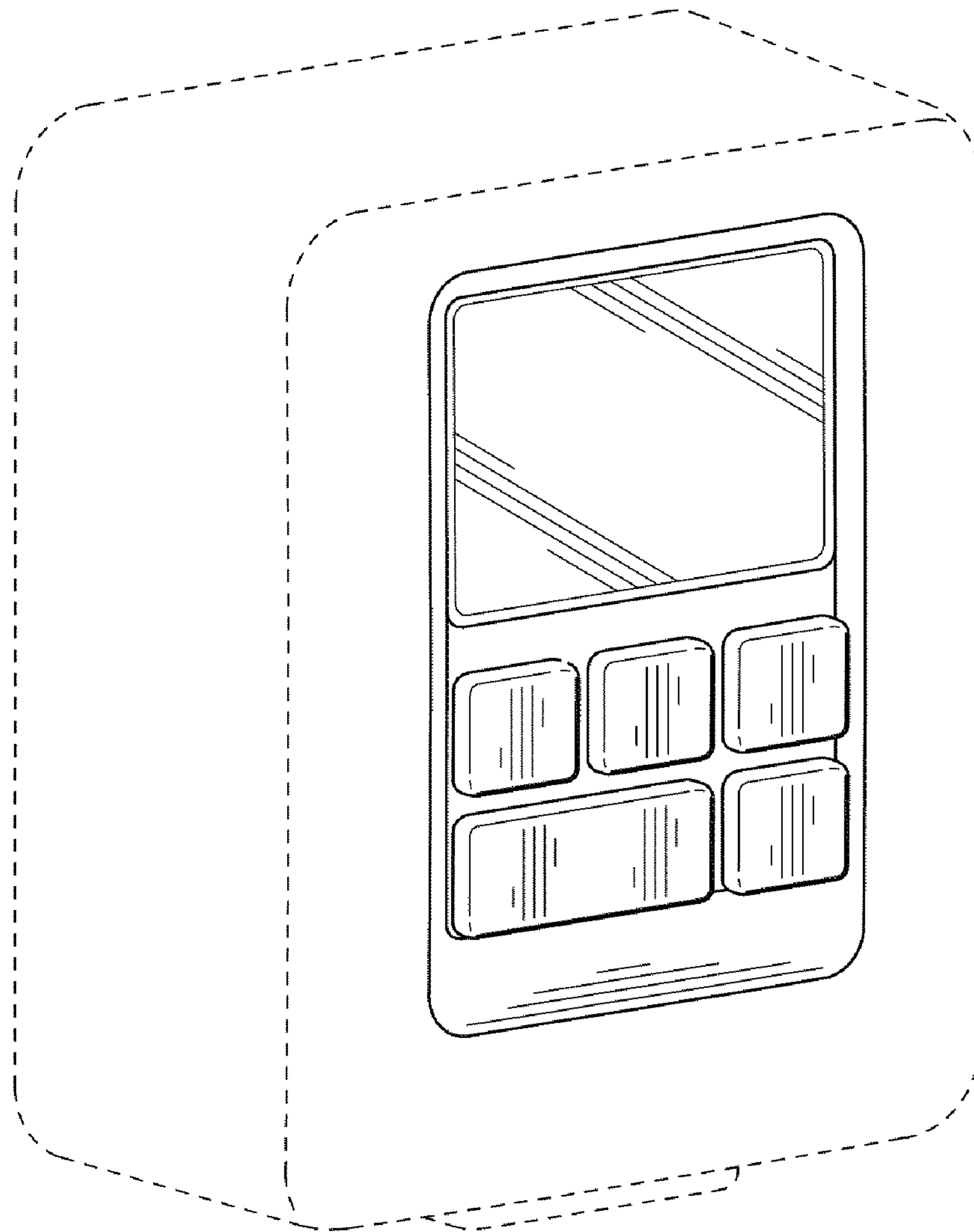


FIG. 7

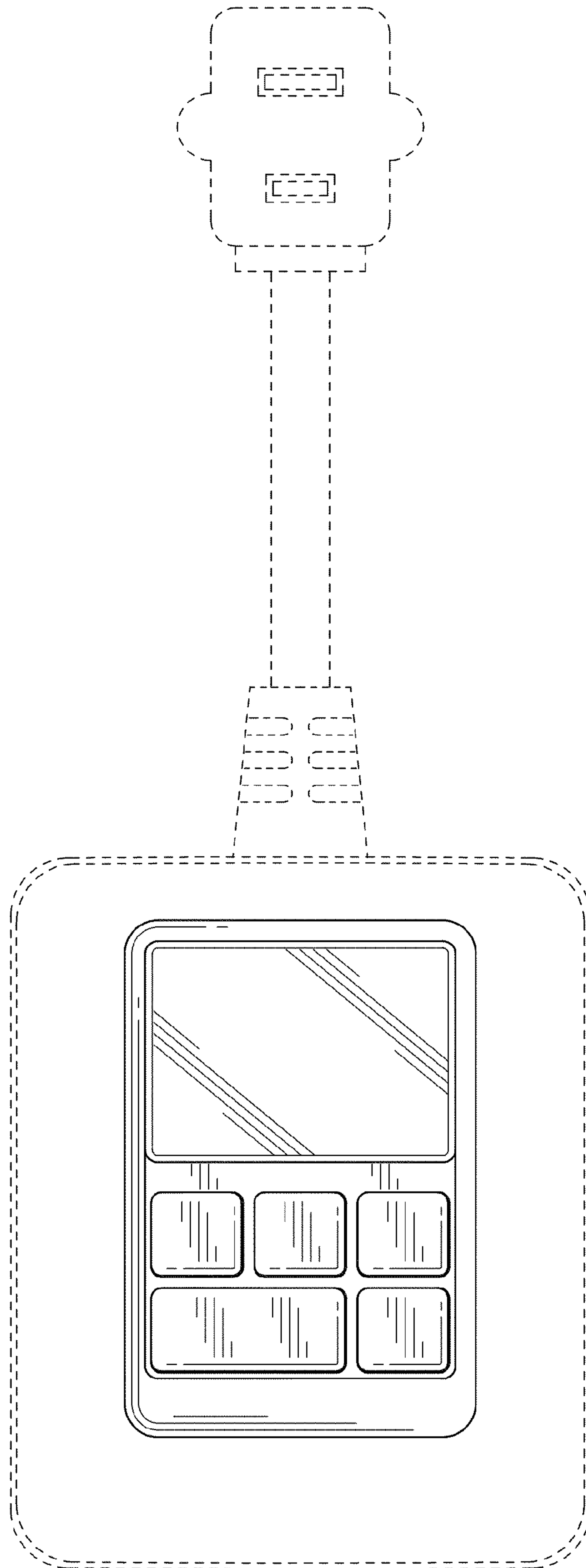


FIG.8

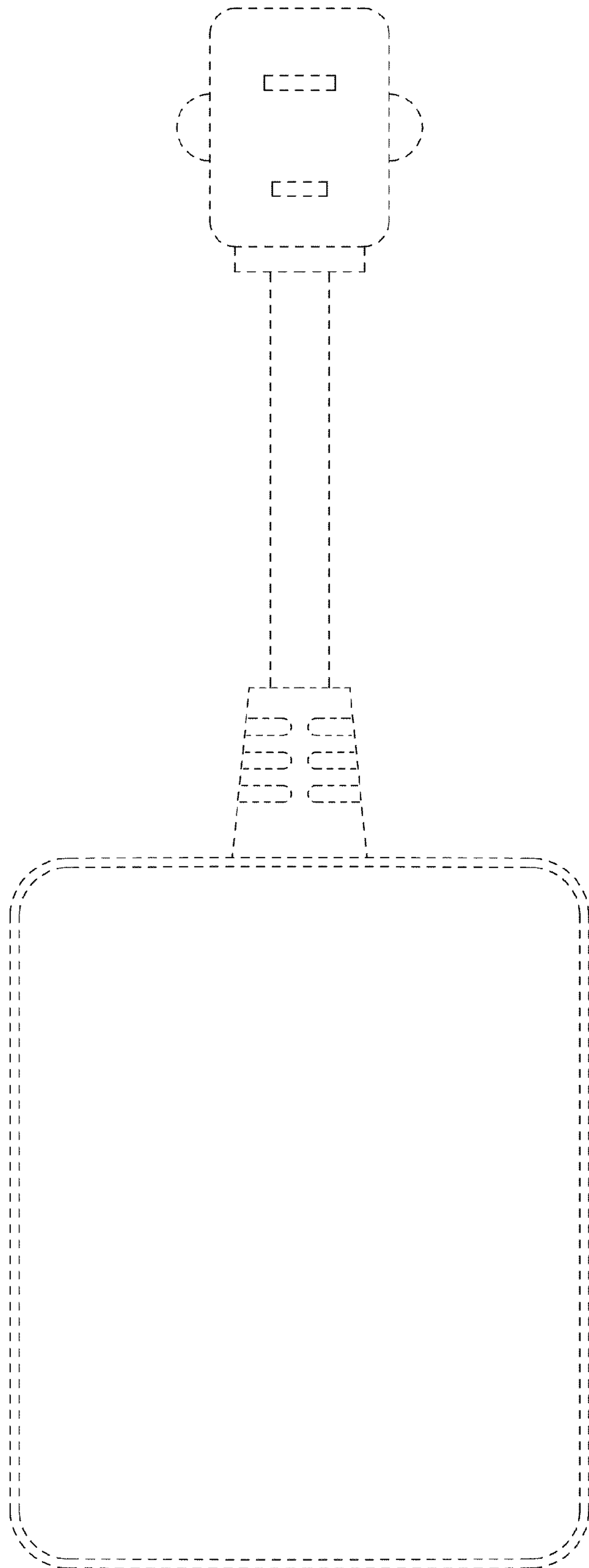


FIG. 9

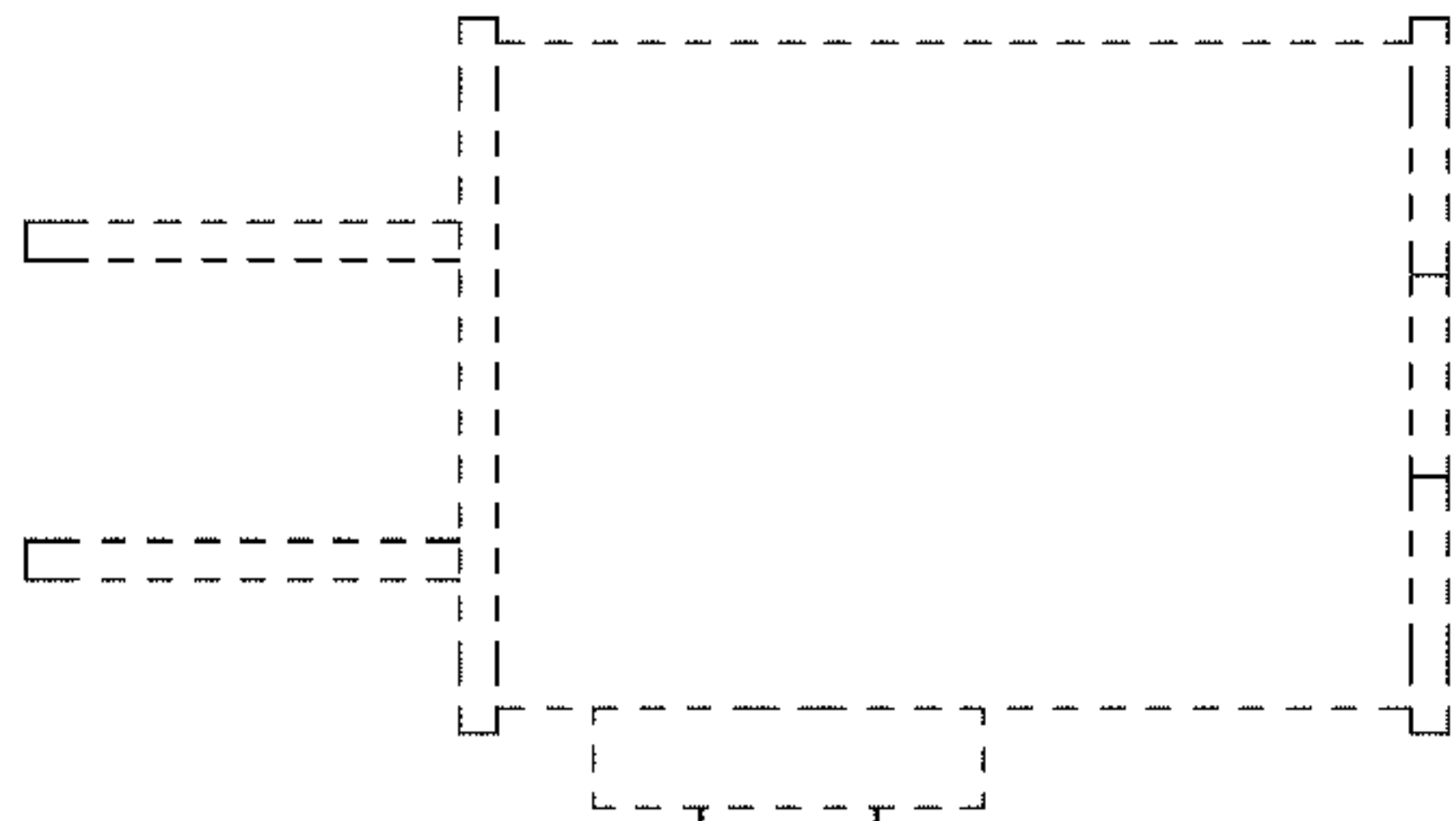


FIG. 10

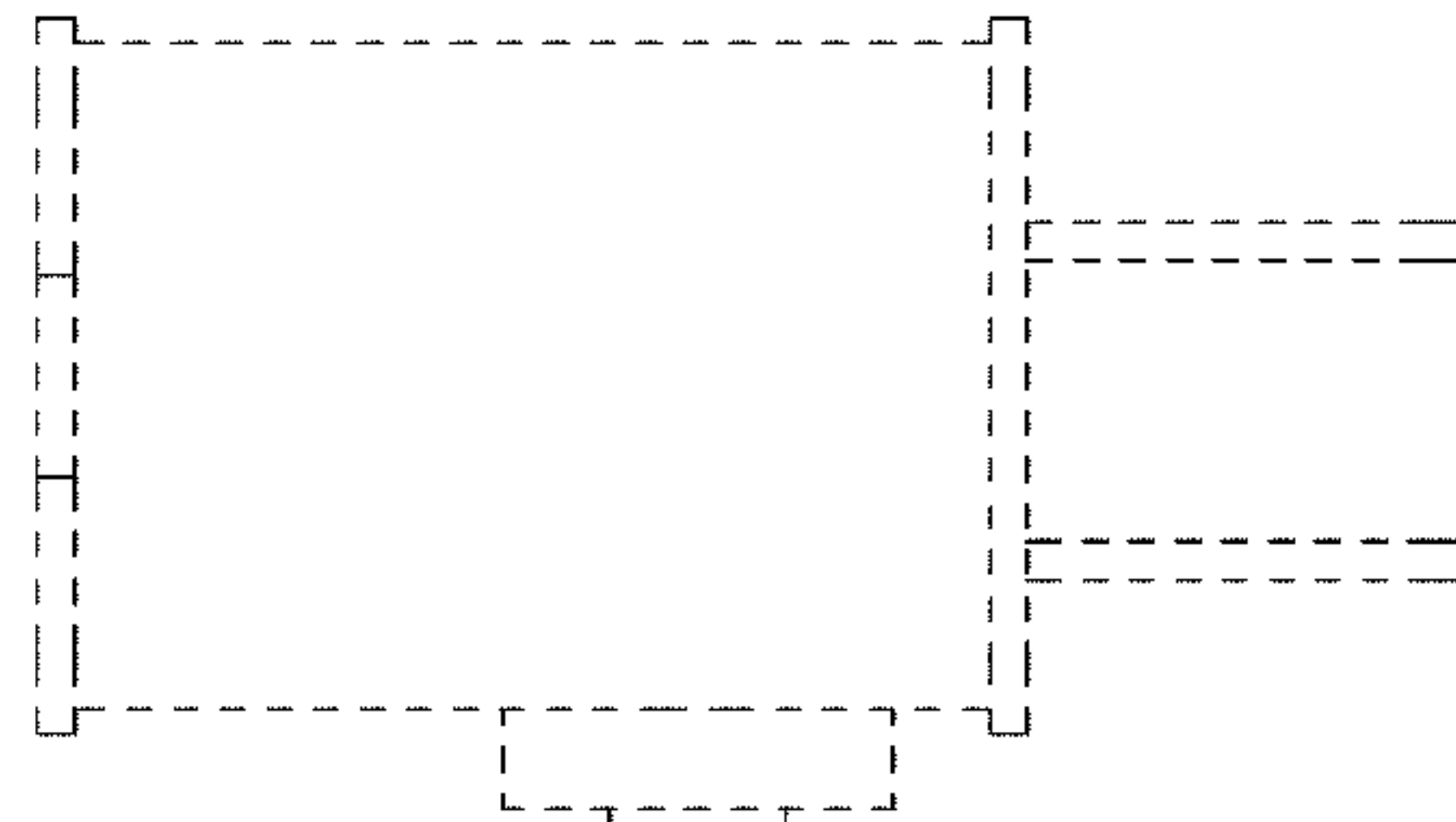
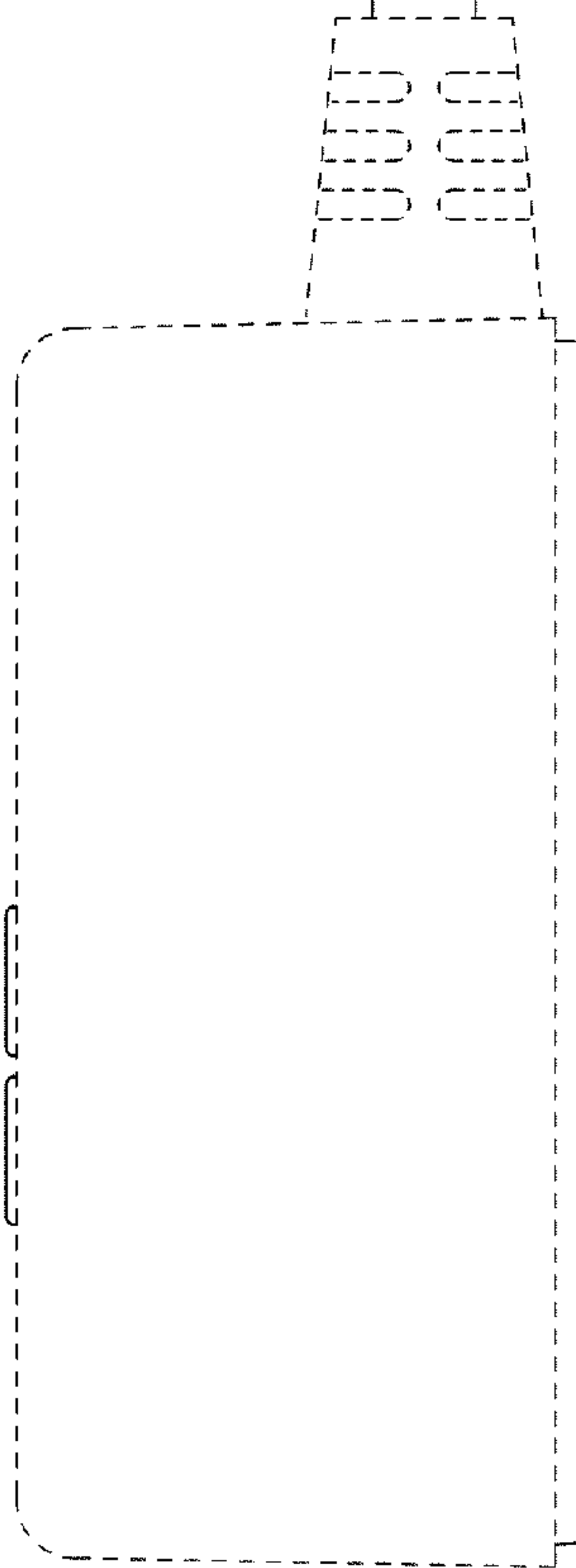
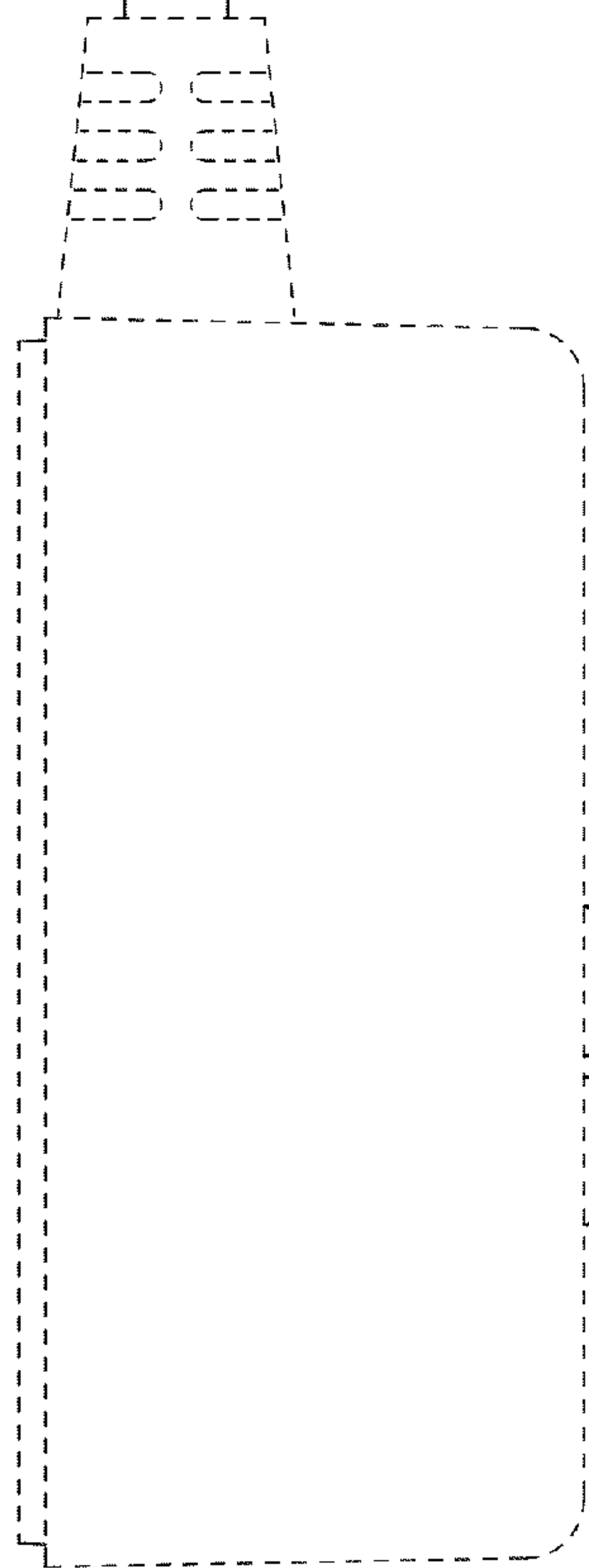


FIG. 11



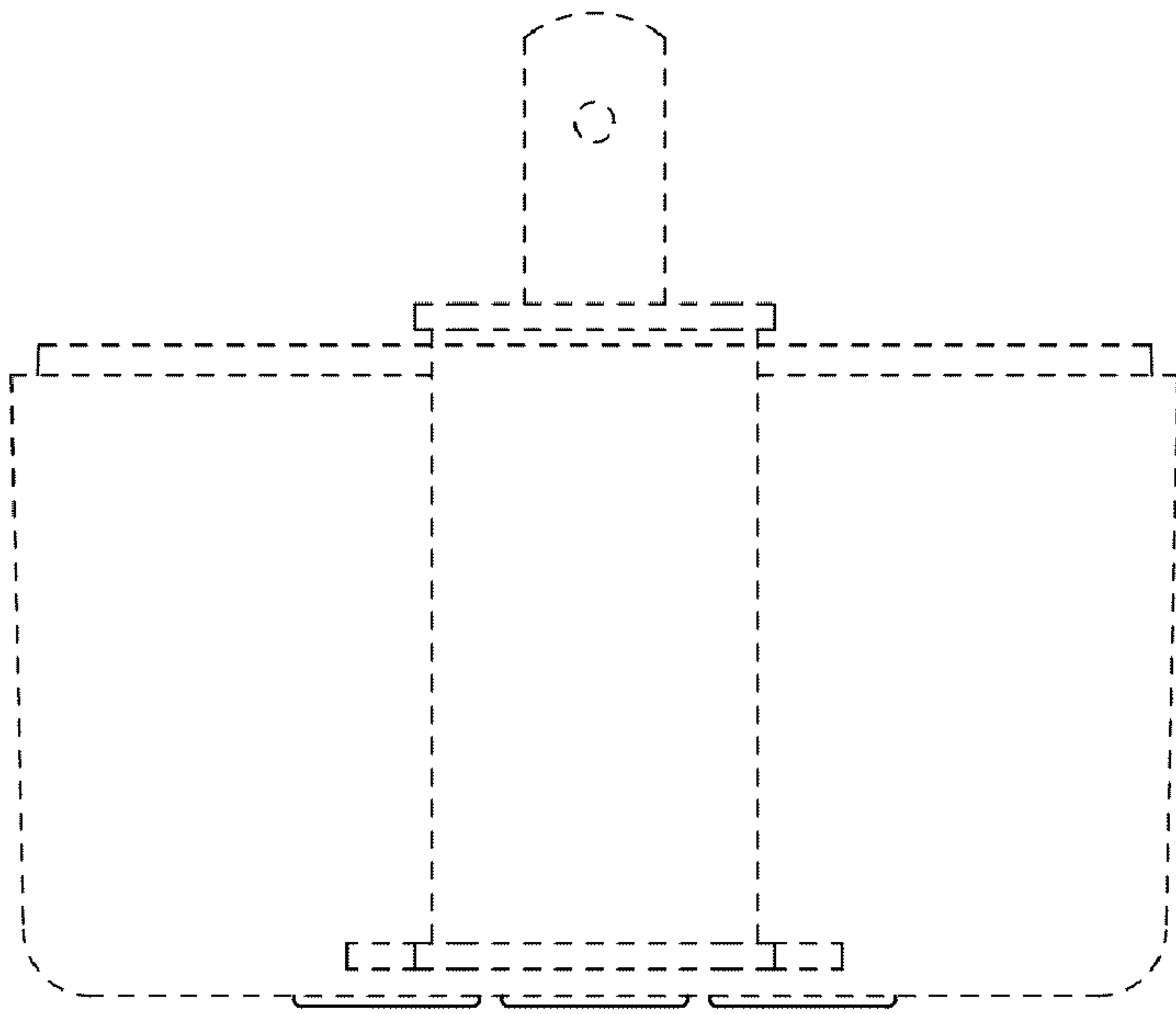


FIG. 12

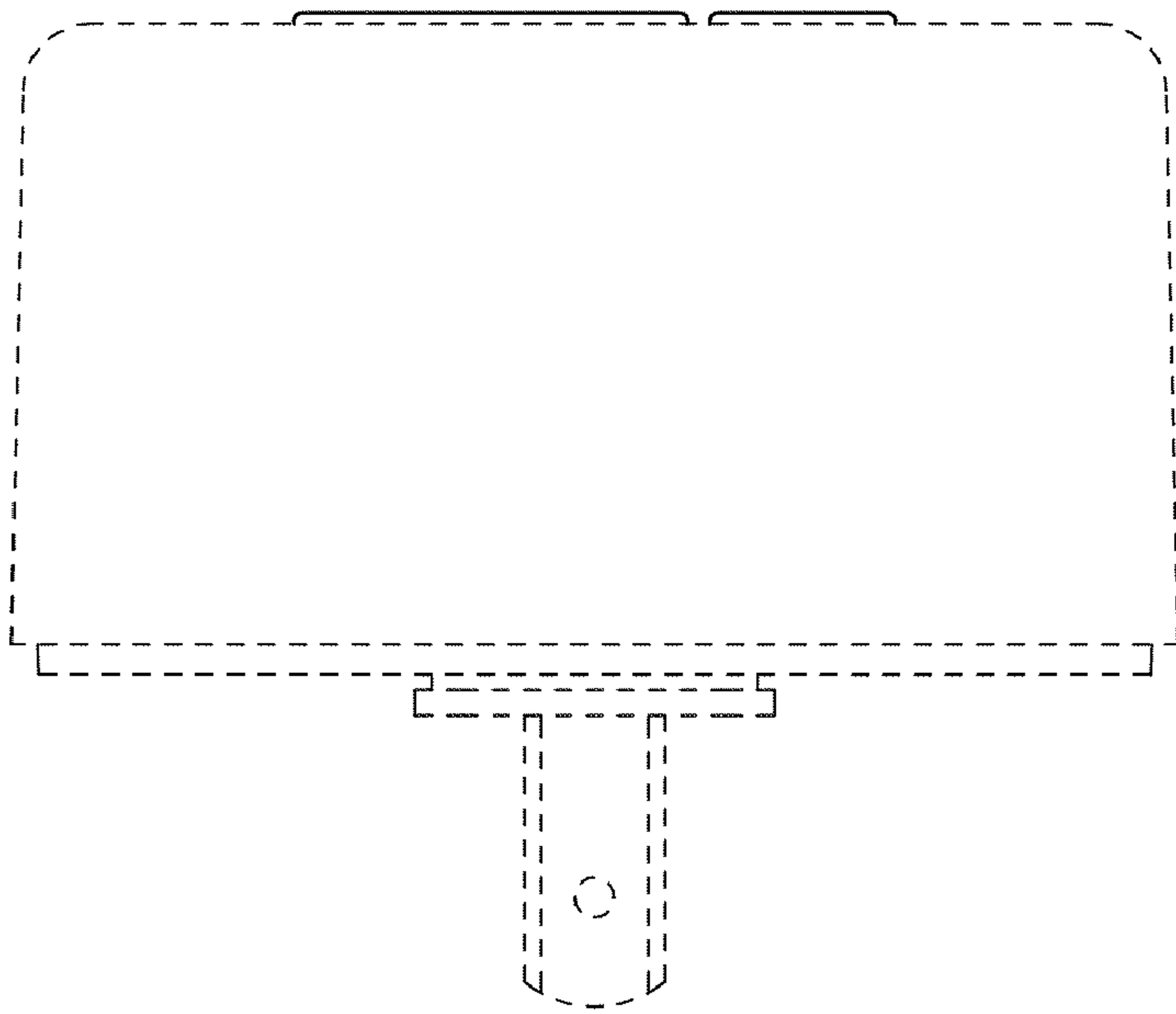


FIG. 13

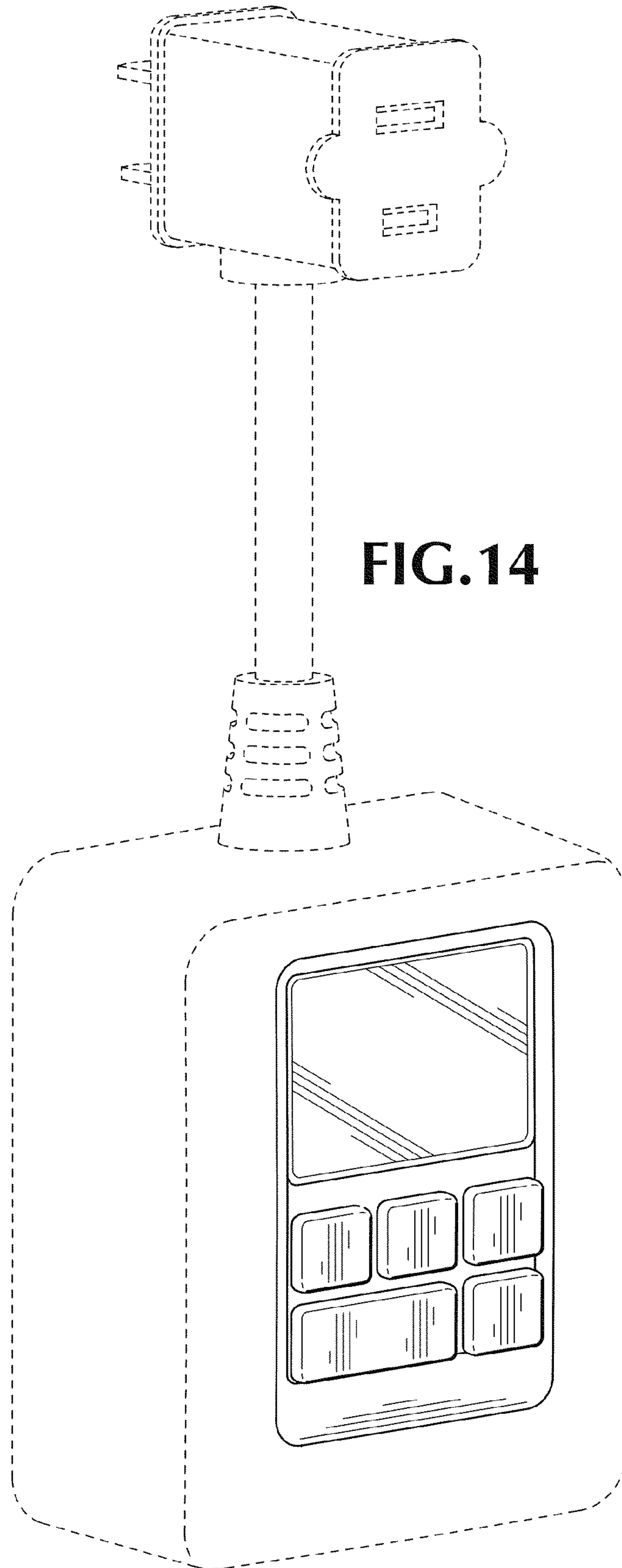


FIG. 14