



US00D652390S

(12) **United States Design Patent**
Boehm et al.

(10) **Patent No.:** **US D652,390 S**
(45) **Date of Patent:** **** Jan. 17, 2012**

(54) **SWITCH**

(75) Inventors: **Alexander Boehm**, Oelde (DE);
Thorsten Helm, Sassenberg (DE)

(73) Assignee: **Dewert Antriebs- und Systemtechnik GmbH**, Kirchlegern (DE)

(**) Term: **14 Years**

(21) Appl. No.: **29/390,079**

(22) Filed: **Apr. 20, 2011**

(30) **Foreign Application Priority Data**

Oct. 21, 2010 (EM) 001771148-0001

(51) **LOC (9) Cl.** **13-03**

(52) **U.S. Cl.** **D13/158; D13/169**

(58) **Field of Classification Search** D13/158,
D13/168, 169, 170, 171, 172, 173, 174, 184,
D13/199; 200/310, 314, 329, 4, 406, 524,
200/530, 532, 535, 536, 6, 6 A, 81 R; D14/247
See application file for complete search history.

(56) **References Cited**

U.S. PATENT DOCUMENTS

D292,204 S * 10/1987 Booty et al. D13/156
D316,249 S * 4/1991 King-Pei D13/167

D323,613 S * 2/1992 Cummins et al. D8/353
D408,792 S * 4/1999 Hwang D13/171
D447,123 S * 8/2001 Winkler D13/158
D511,752 S * 11/2005 Wong et al. D13/174
D533,842 S * 12/2006 Tohyama et al. D13/158
D555,605 S * 11/2007 Parnell D13/171
D559,794 S * 1/2008 Kato et al. D13/171
D638,803 S * 5/2011 Sakakibara et al. D13/158
2003/0234169 A1 * 12/2003 Iwakiri 200/341

* cited by examiner

Primary Examiner — Thomas Johannes

(74) *Attorney, Agent, or Firm* — Crowell & Moring LLP

(57) **CLAIM**

The ornamental design for a switch, as shown and described.

DESCRIPTION

FIG. 1 is an elevated front perspective view of a switch according to our design;

FIG. 2 is a top view thereof;

FIG. 3 is a right side view thereof;

FIG. 4 is a front view thereof;

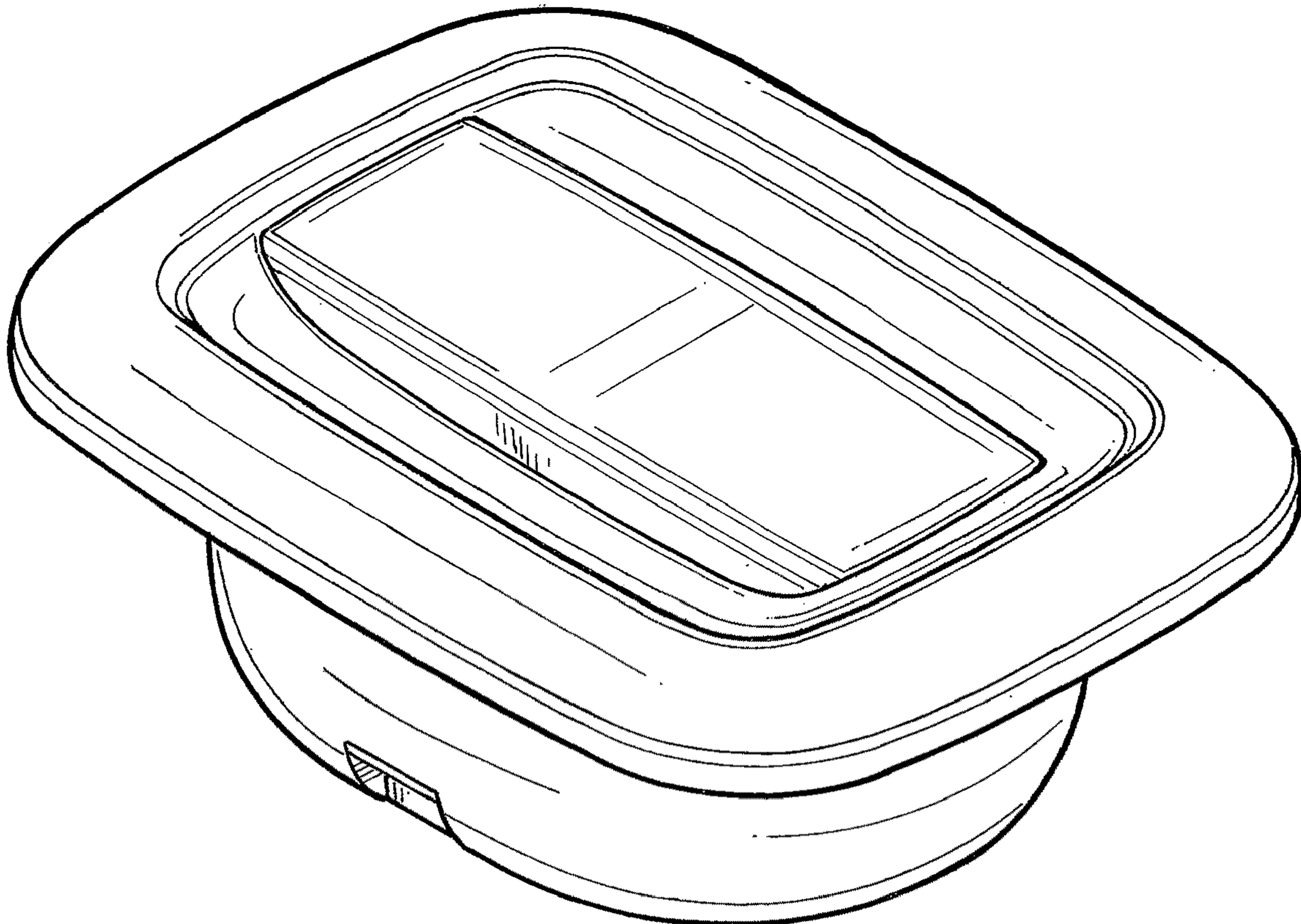
FIG. 5 is a left side view thereof;

FIG. 6 is a rear view thereof; and,

FIG. 7 is a bottom view thereof.

The broken line portion of the figure drawings is included to show unclaimed subject matter only and forms no part of the claimed design.

1 Claim, 4 Drawing Sheets



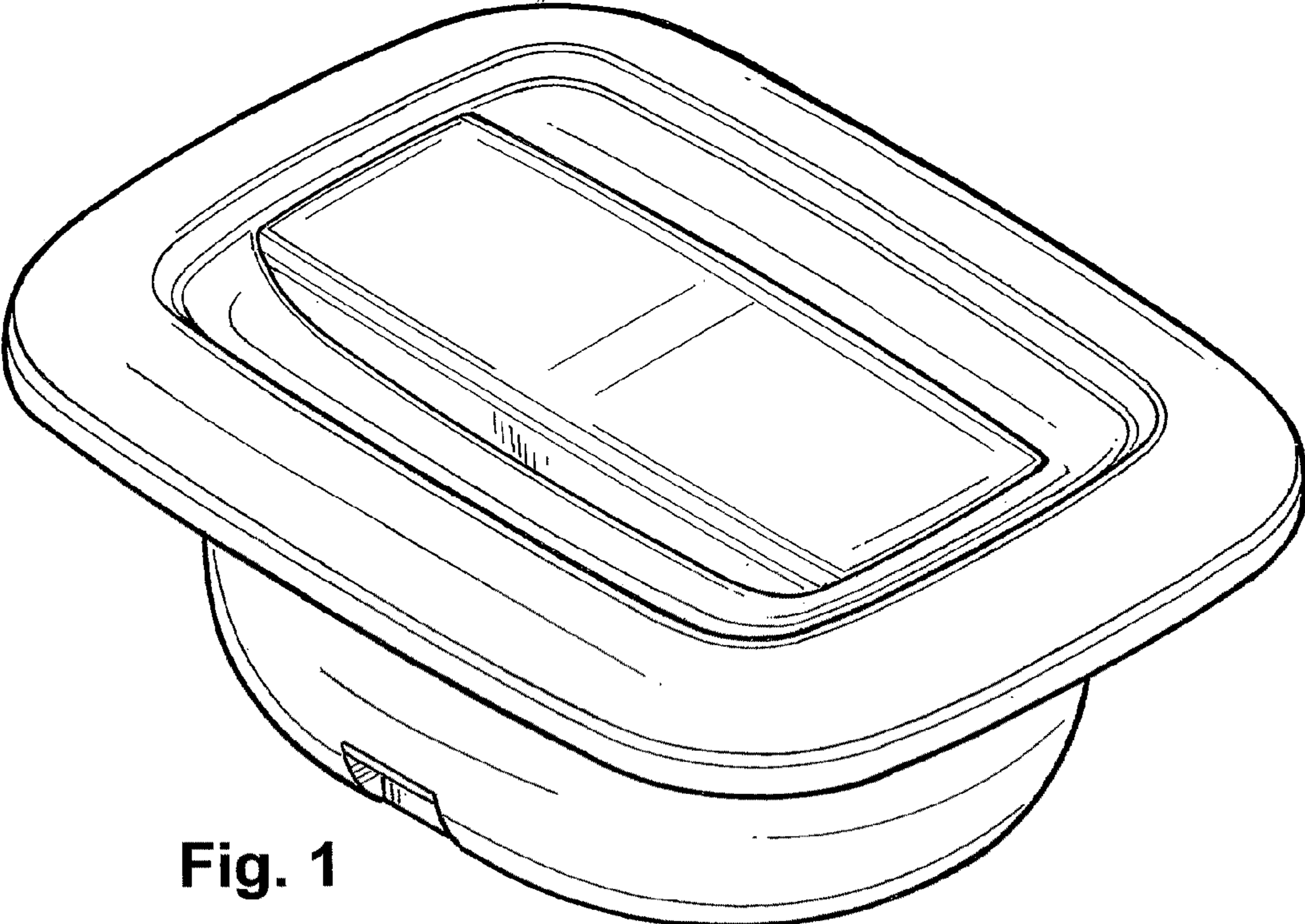


Fig. 1

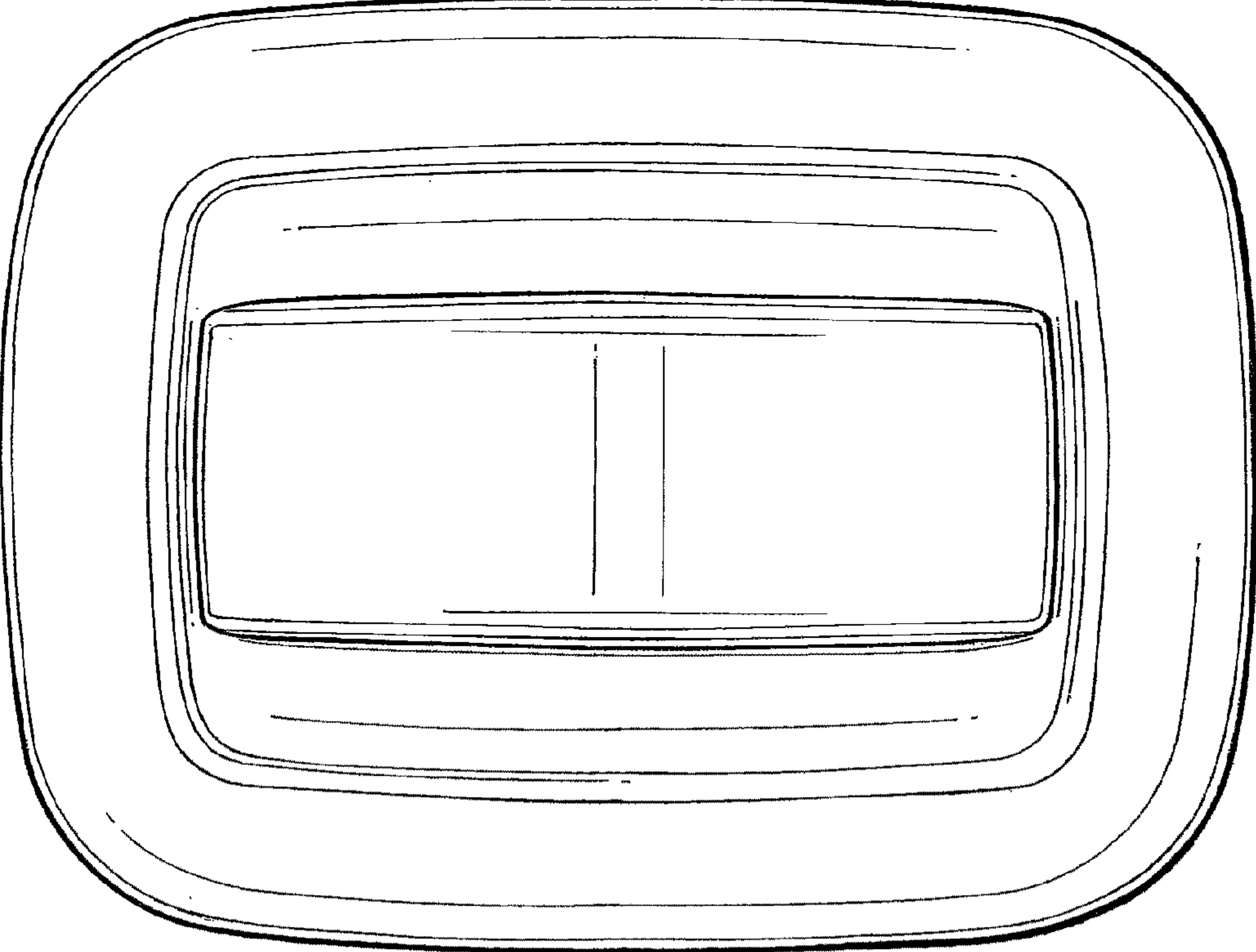


Fig. 2

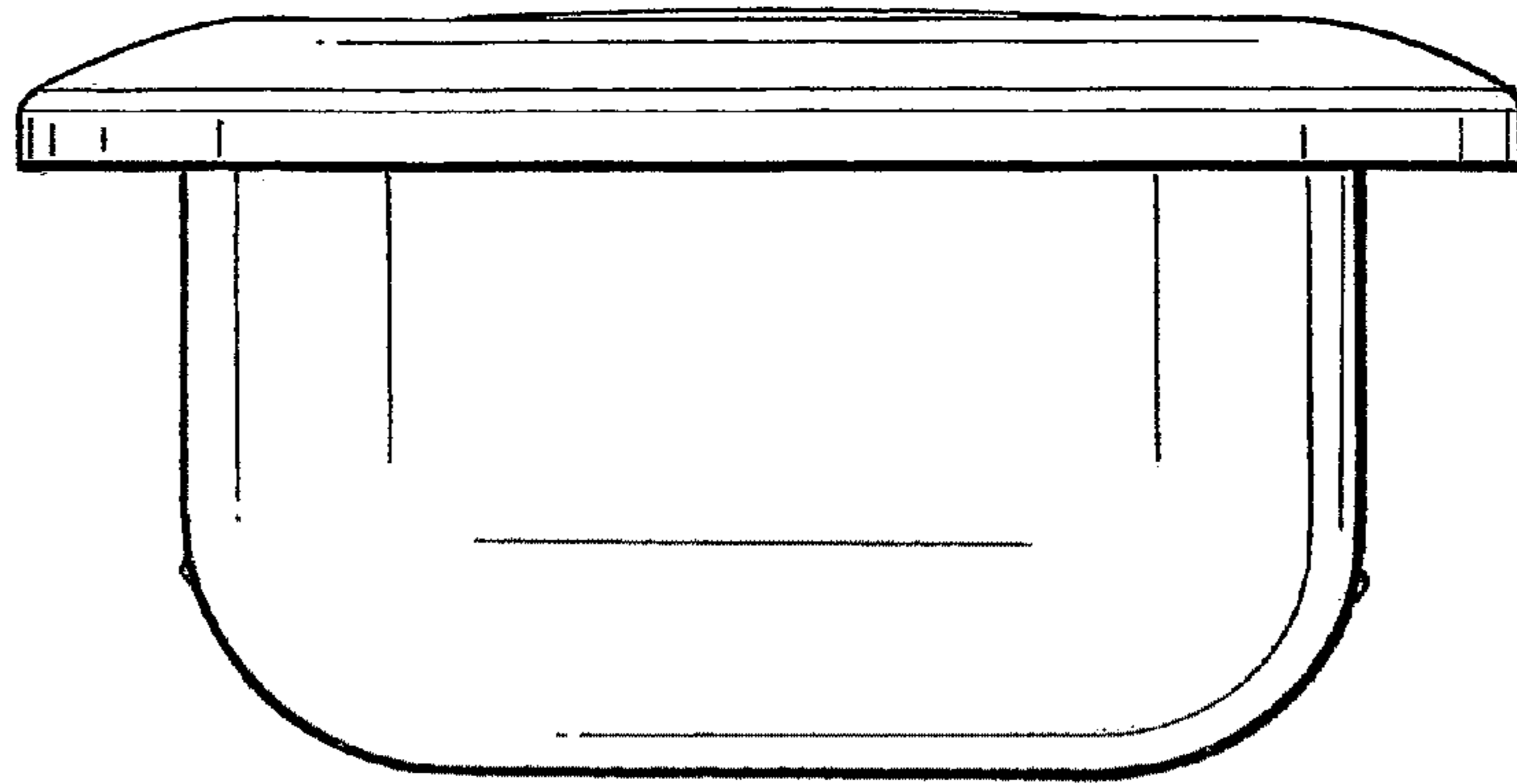


Fig. 3

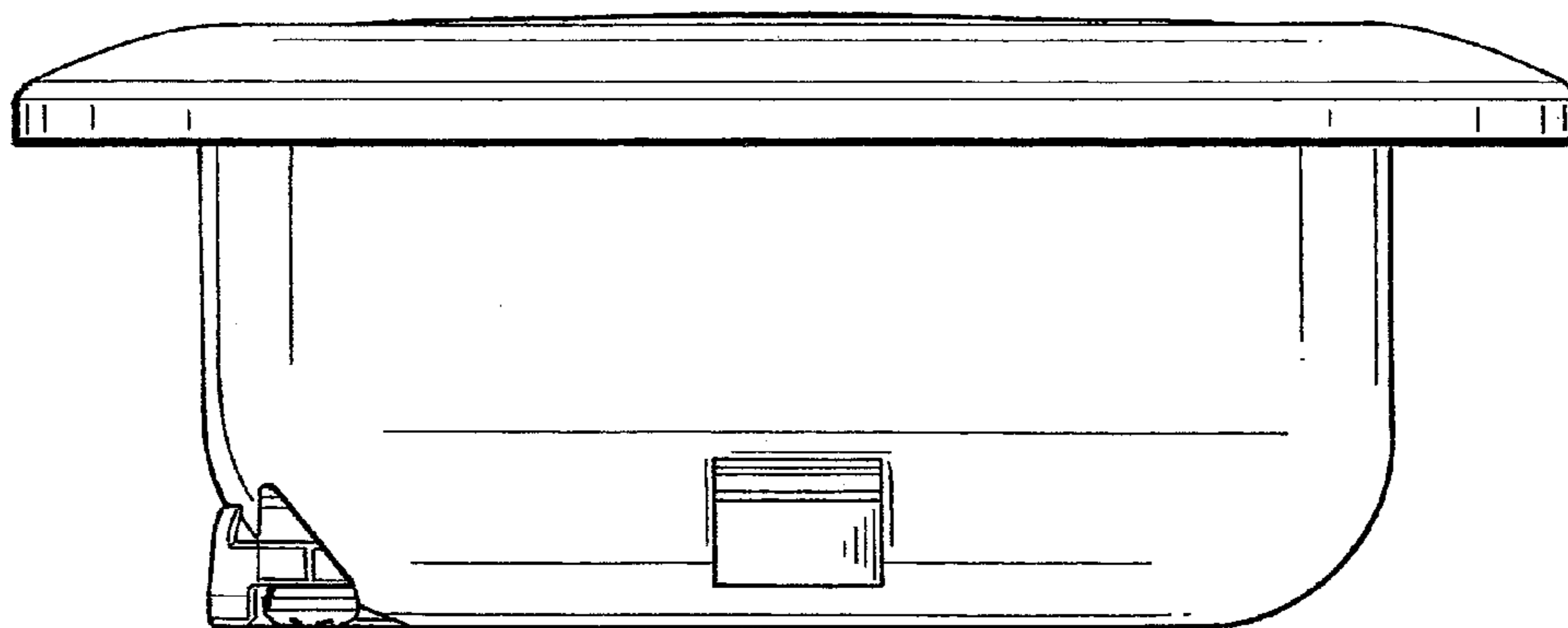


Fig. 4

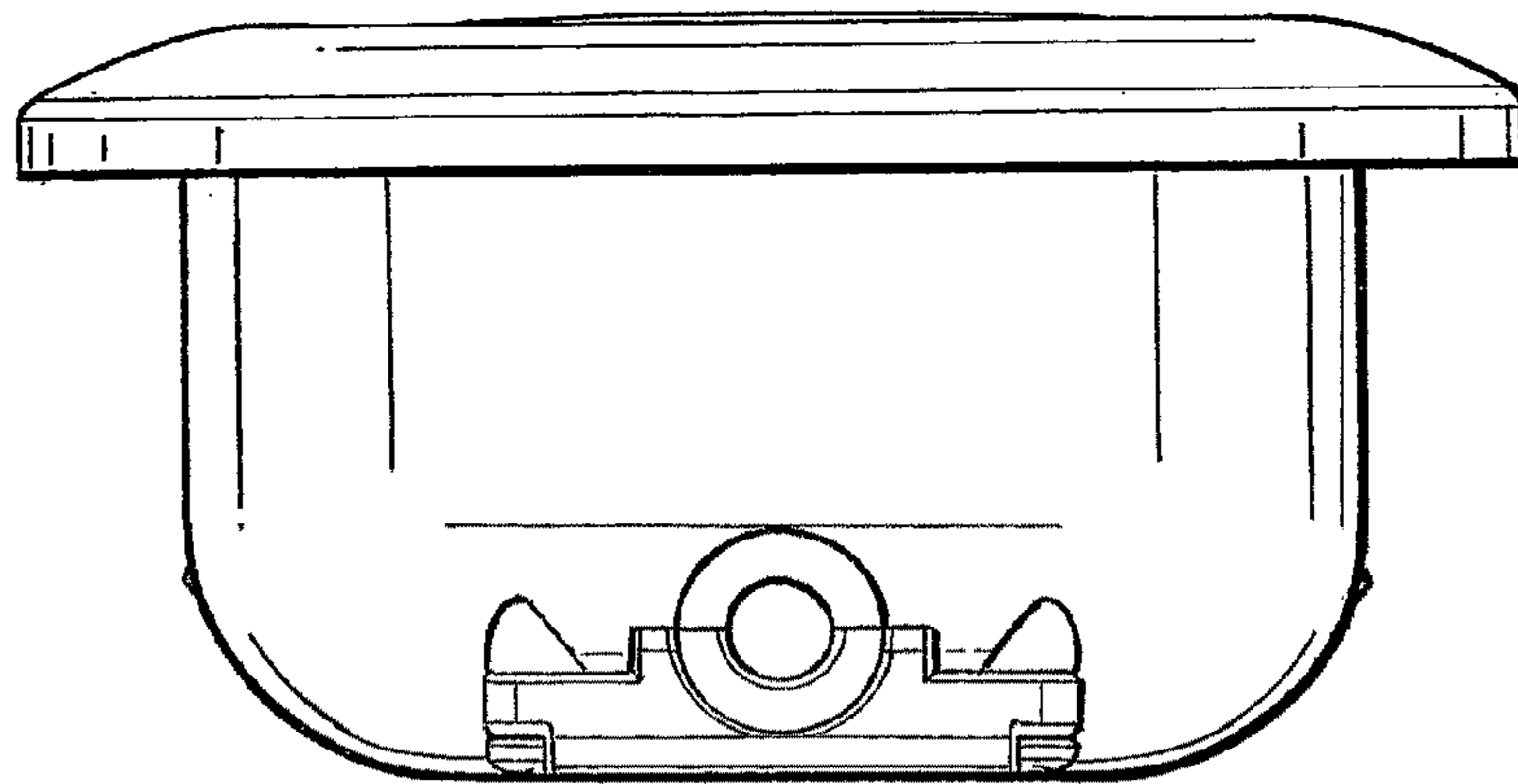


Fig. 5

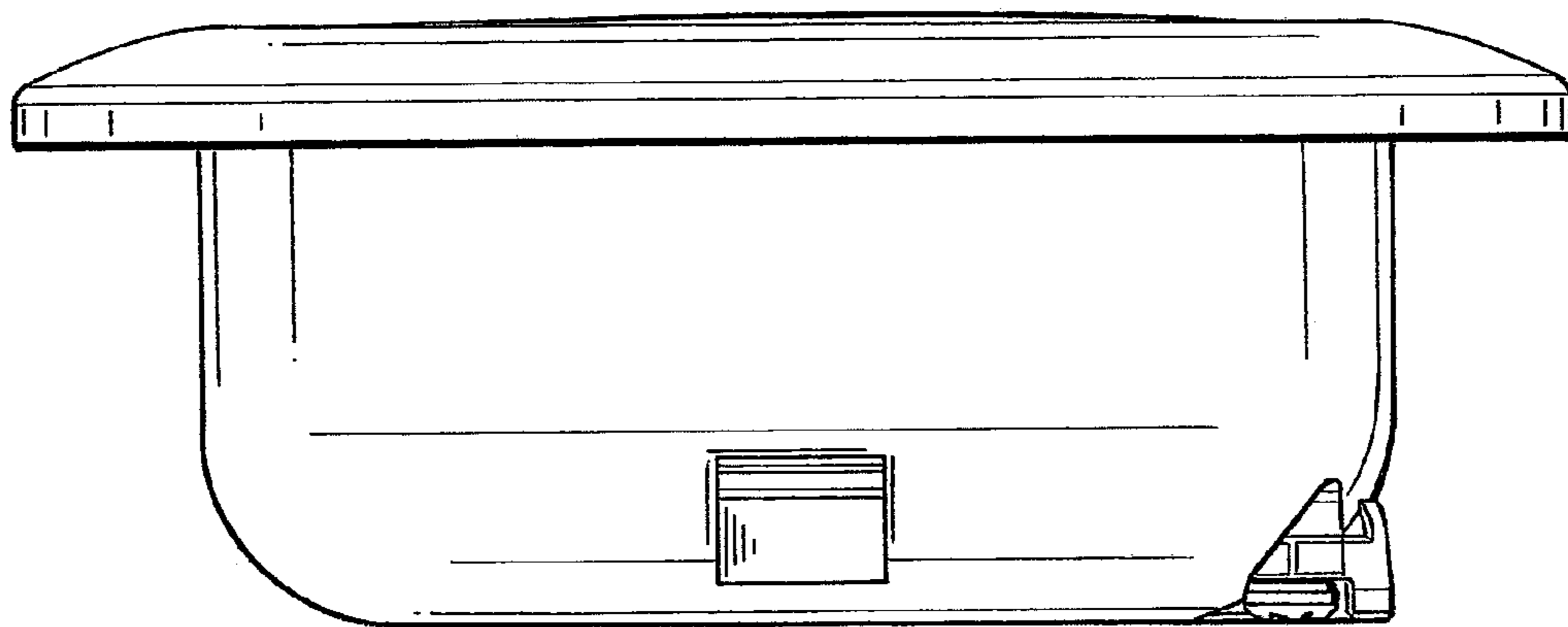


Fig. 6

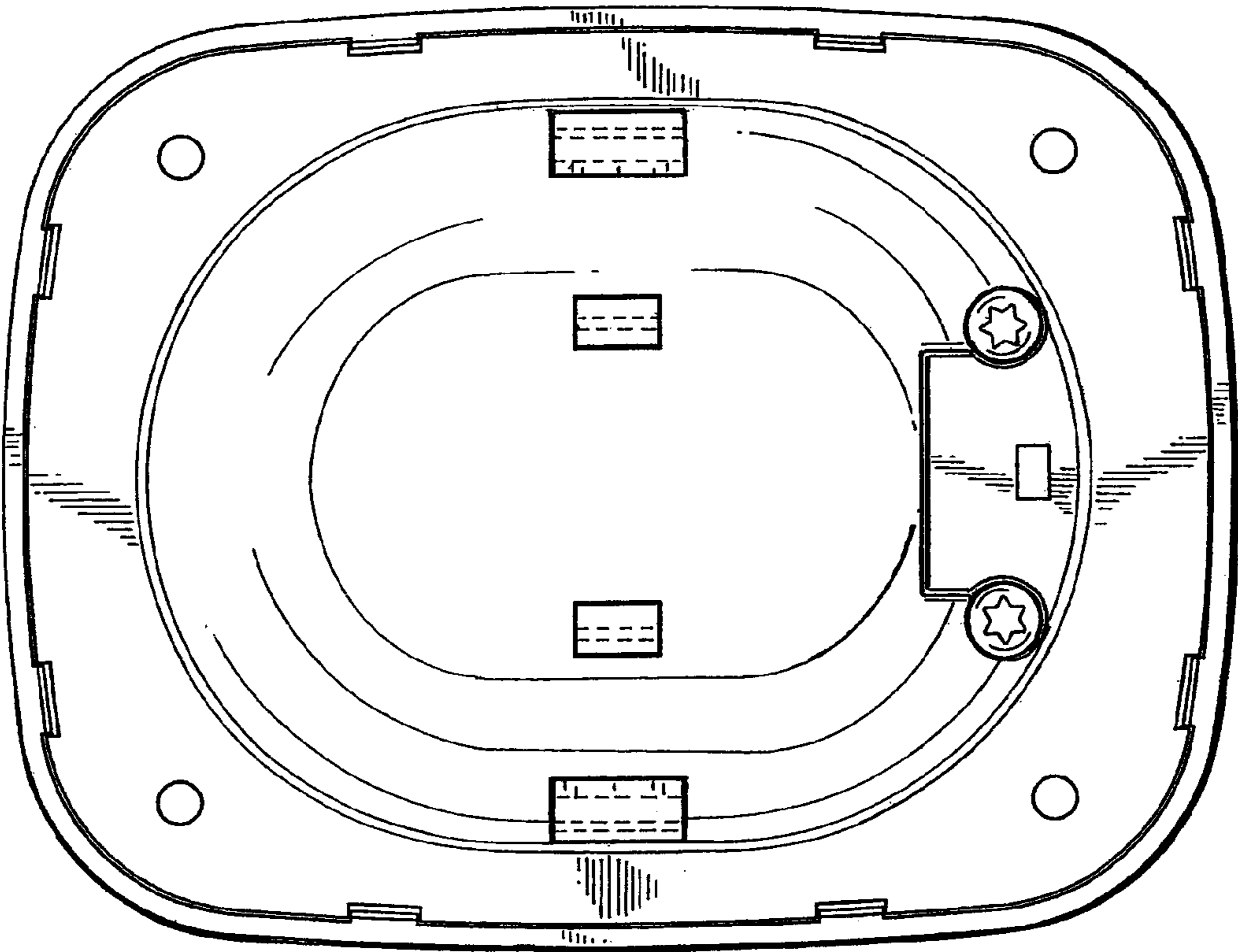


Fig. 7