



US00D652387S

(12) **United States Design Patent**
Ohkuma

(10) **Patent No.:** **US D652,387 S**
(45) **Date of Patent:** **** Jan. 17, 2012**

(54) **ELECTRICAL CONNECTOR**

(75) Inventor: **Yoshihito Ohkuma**, Kanagawa (JP)

(73) Assignee: **Iriso Electronics Co., Ltd.**, Kanagawa (JP)

(**) Term: **14 Years**

(21) Appl. No.: **29/375,877**

(22) Filed: **Sep. 29, 2010**

(30) **Foreign Application Priority Data**

Apr. 8, 2010 (JP) 2010-008964

(51) **LOC (9) Cl.** **13-03**

(52) **U.S. Cl.** **D13/147**

(58) **Field of Classification Search** D13/133,
D13/146-147, 154, 156, 184; 439/266, 345,
439/352, 357, 358, 476.1, 595, 607.01, 607.04,
439/607.05, 607.17, 607.25, 607.34, 607.41,
439/607.53, 660, 680, 682, 752

See application file for complete search history.

(56) **References Cited**

U.S. PATENT DOCUMENTS

D419,522 S *	1/2000	Kamagai	D13/120
D472,879 S *	4/2003	Ouchi et al.	D13/147
D473,192 S *	4/2003	Ouchi et al.	D13/147
D571,725 S *	6/2008	Hung et al.	D13/120
D592,135 S *	5/2009	Hung	D13/120
D613,688 S *	4/2010	Yang et al.	D13/120
D613,689 S *	4/2010	Yang et al.	D13/120

D614,569 S *	4/2010	Yang	D13/120
D618,172 S *	6/2010	Yang	D13/120
D641,700 S *	7/2011	Ohkuma	D13/133
D641,701 S *	7/2011	Ohkuma	D13/133

FOREIGN PATENT DOCUMENTS

JP D1378883 12/2009

* cited by examiner

Primary Examiner — Daniel Bui

(74) *Attorney, Agent, or Firm* — Lowe Hauptman Ham & Berner, LLP

(57) **CLAIM**

The new, original and ornamental design for an electrical connector, as shown.

DESCRIPTION

FIG. 1 is a front view of the electrical connector, showing my new design;

FIG. 2 is a rear view thereof;

FIG. 3 is a top plan view thereof;

FIG. 4 is a bottom plan view thereof;

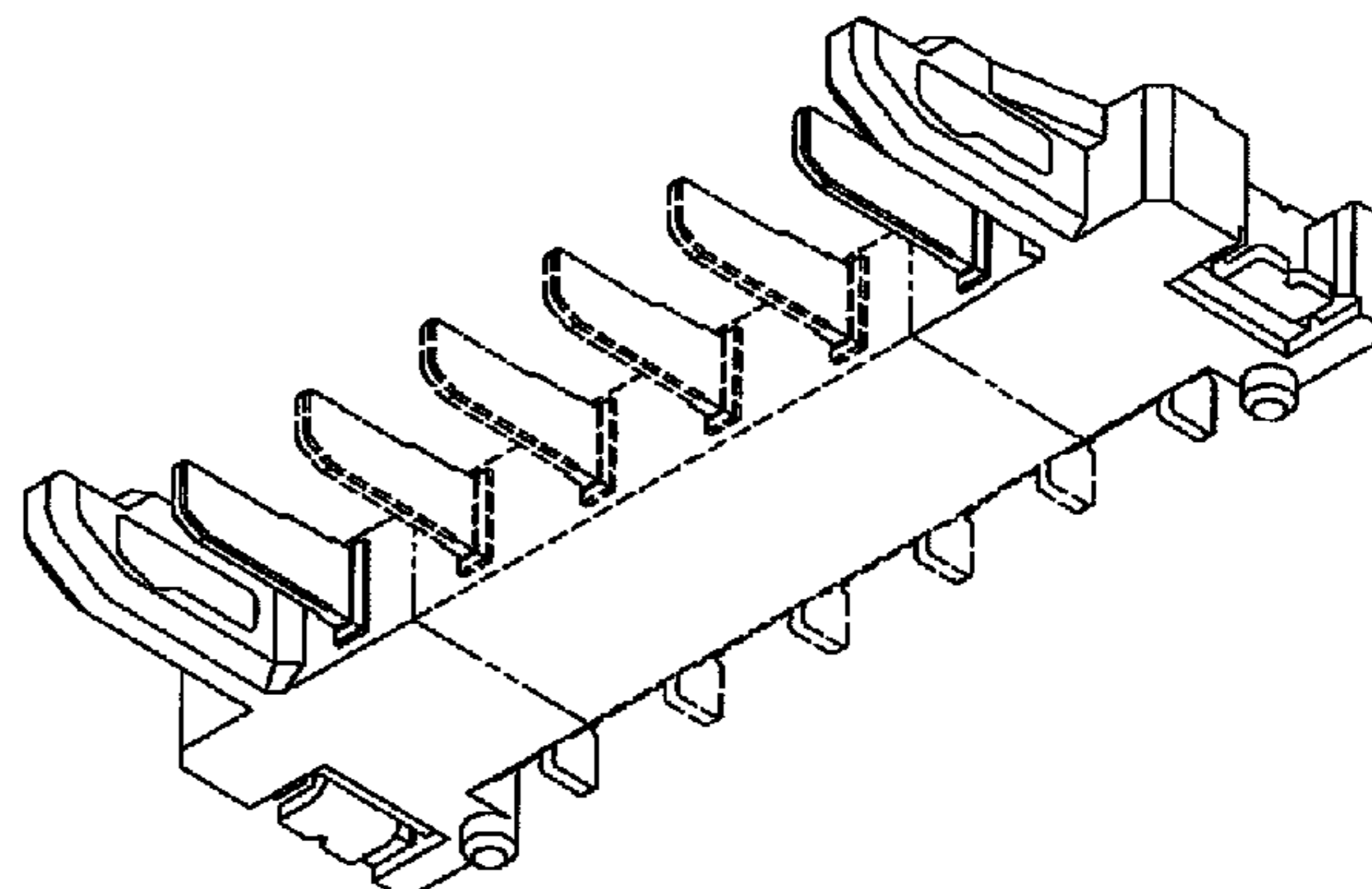
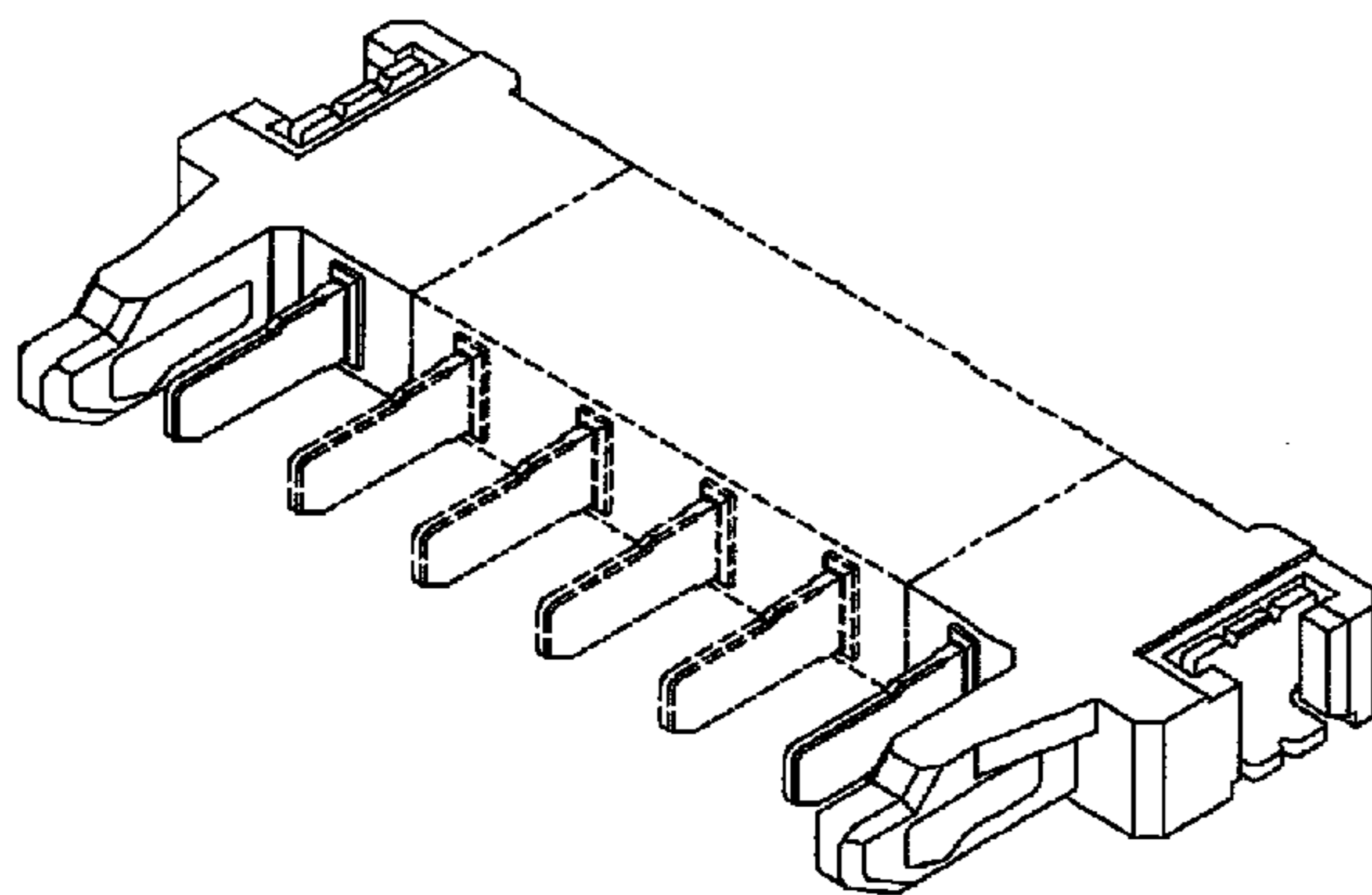
FIG. 5 is a left side view thereof, the right side view being a mirror image thereof;

FIG. 6 is a top side perspective view thereof; and,

FIG. 7 is a bottom side perspective view thereof.

In the figure drawings, the even-broken line shown in the figure drawings is included for the purpose of illustrating environment and forms no part of the claimed design. The dash-dot-dot line represents the boundary line of the claimed design.

1 Claim, 4 Drawing Sheets



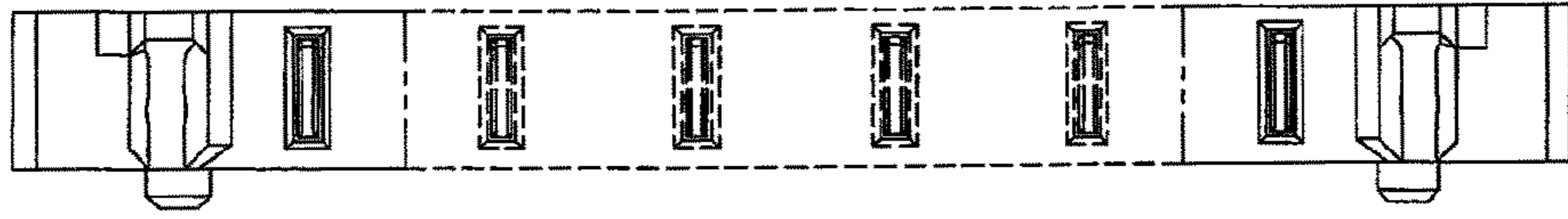


FIG. 1

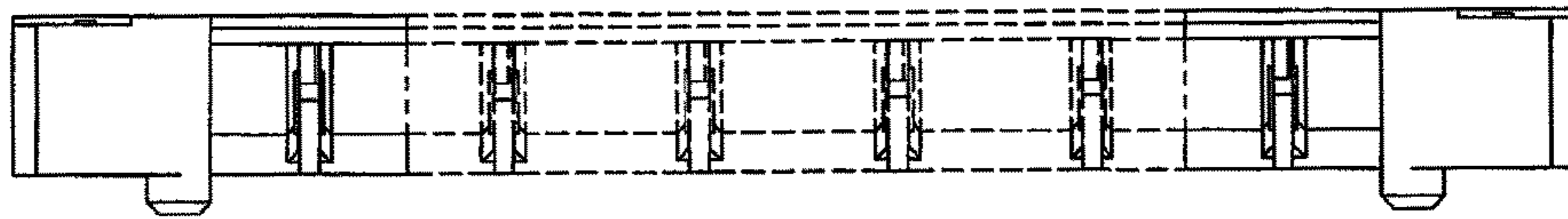


FIG. 2

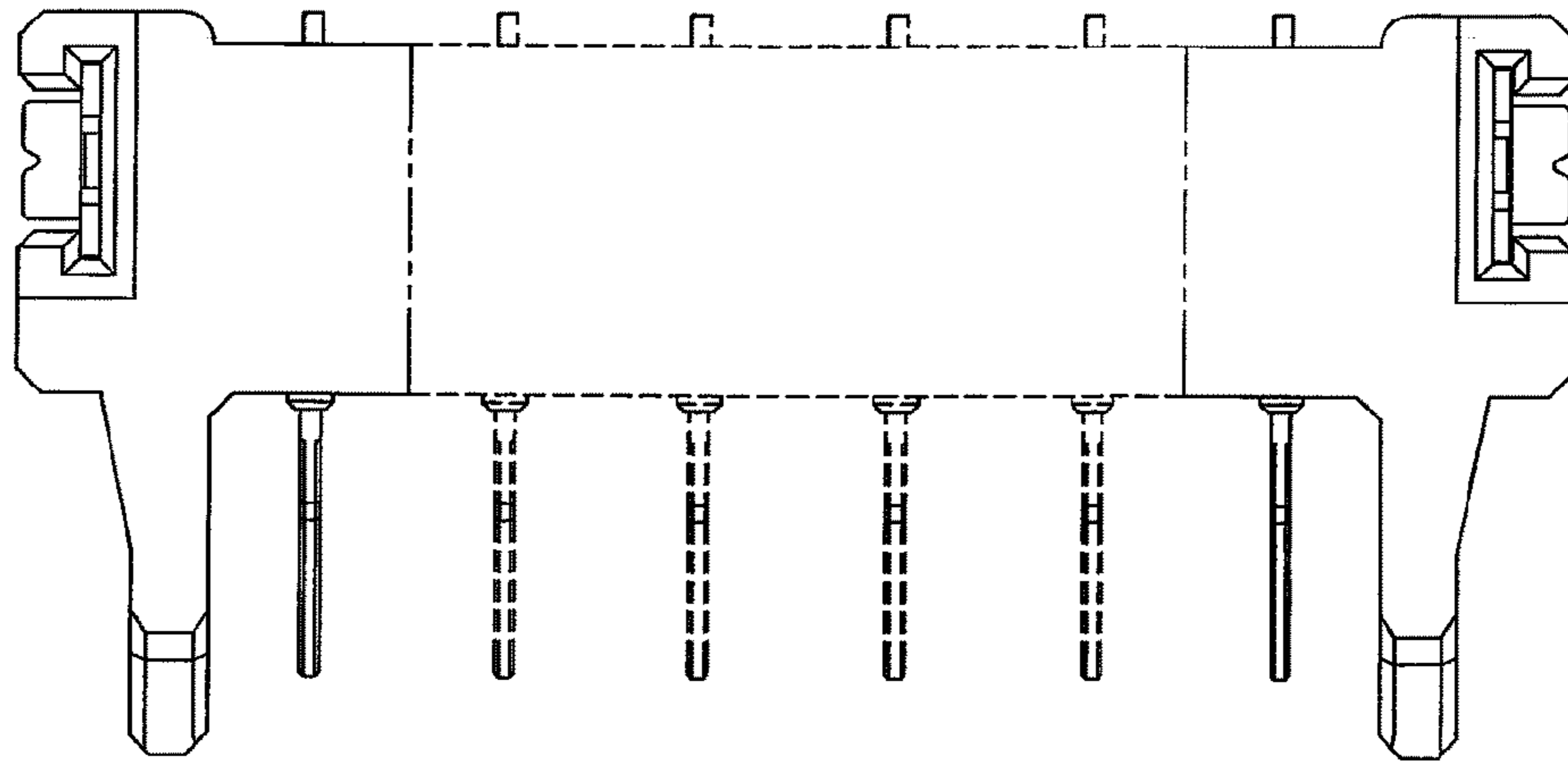


FIG. 3

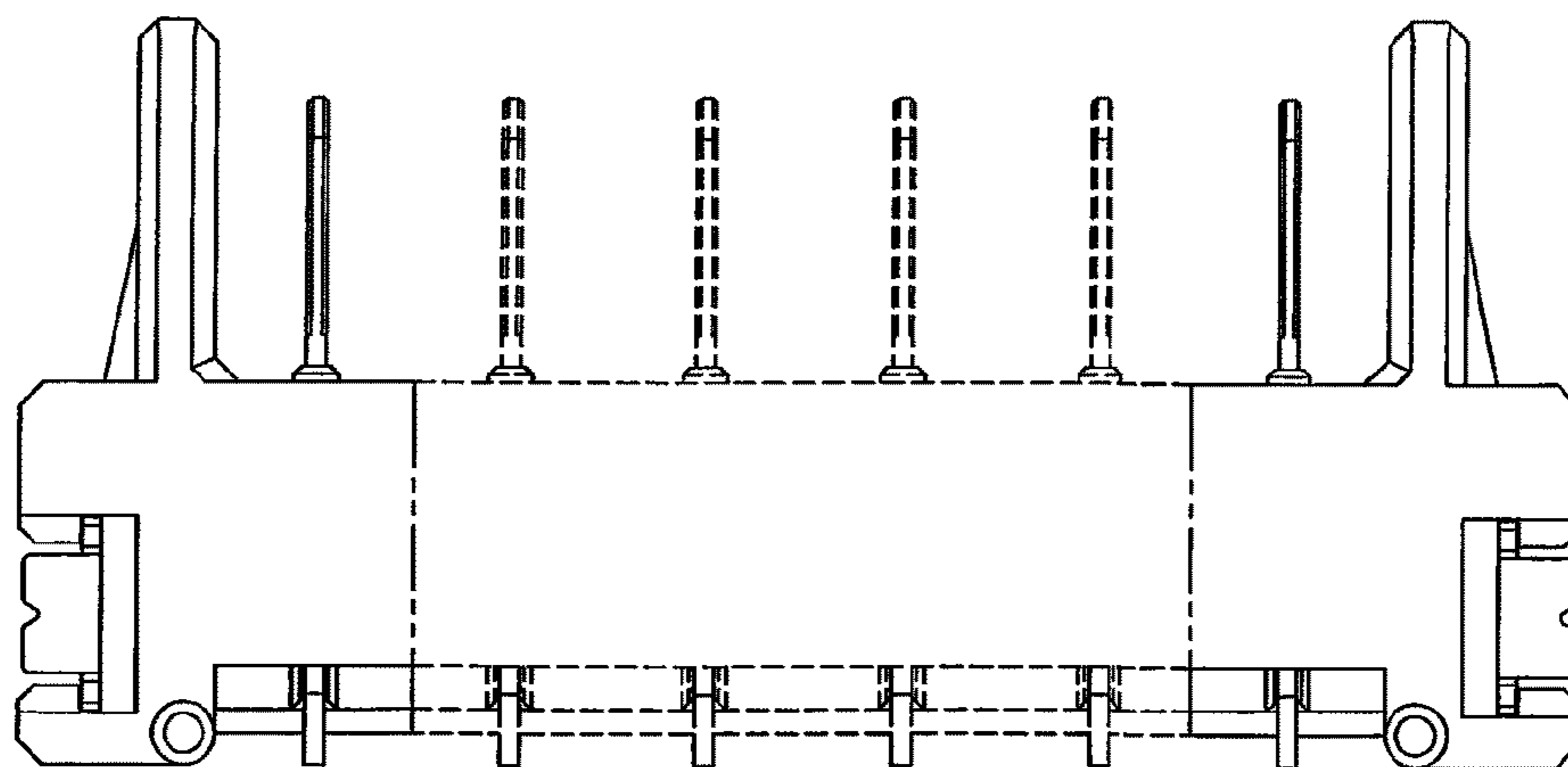


FIG. 4

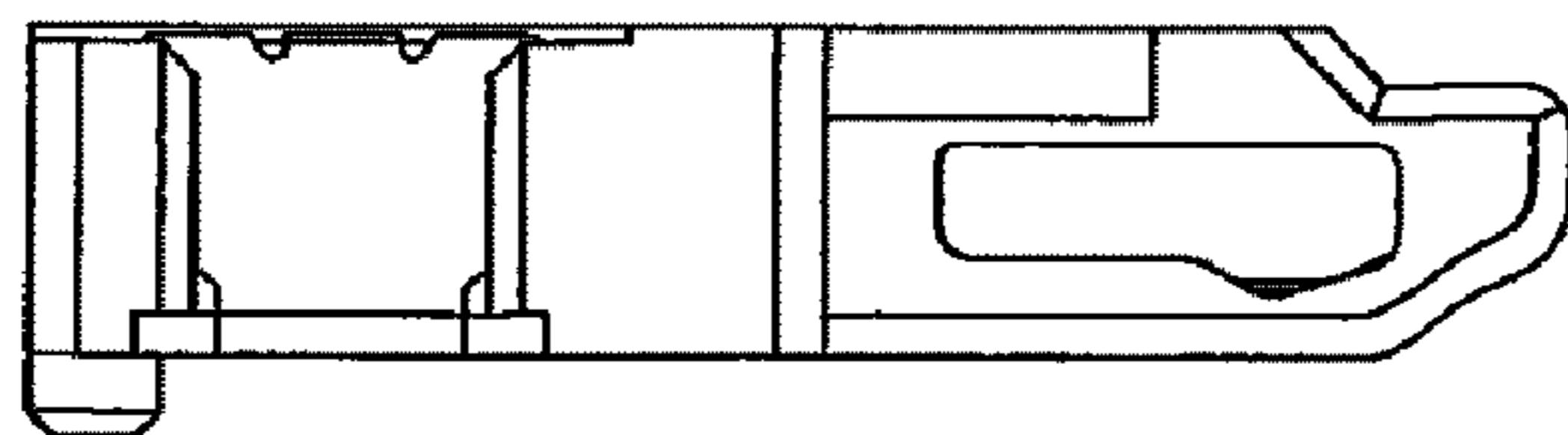


FIG. 5

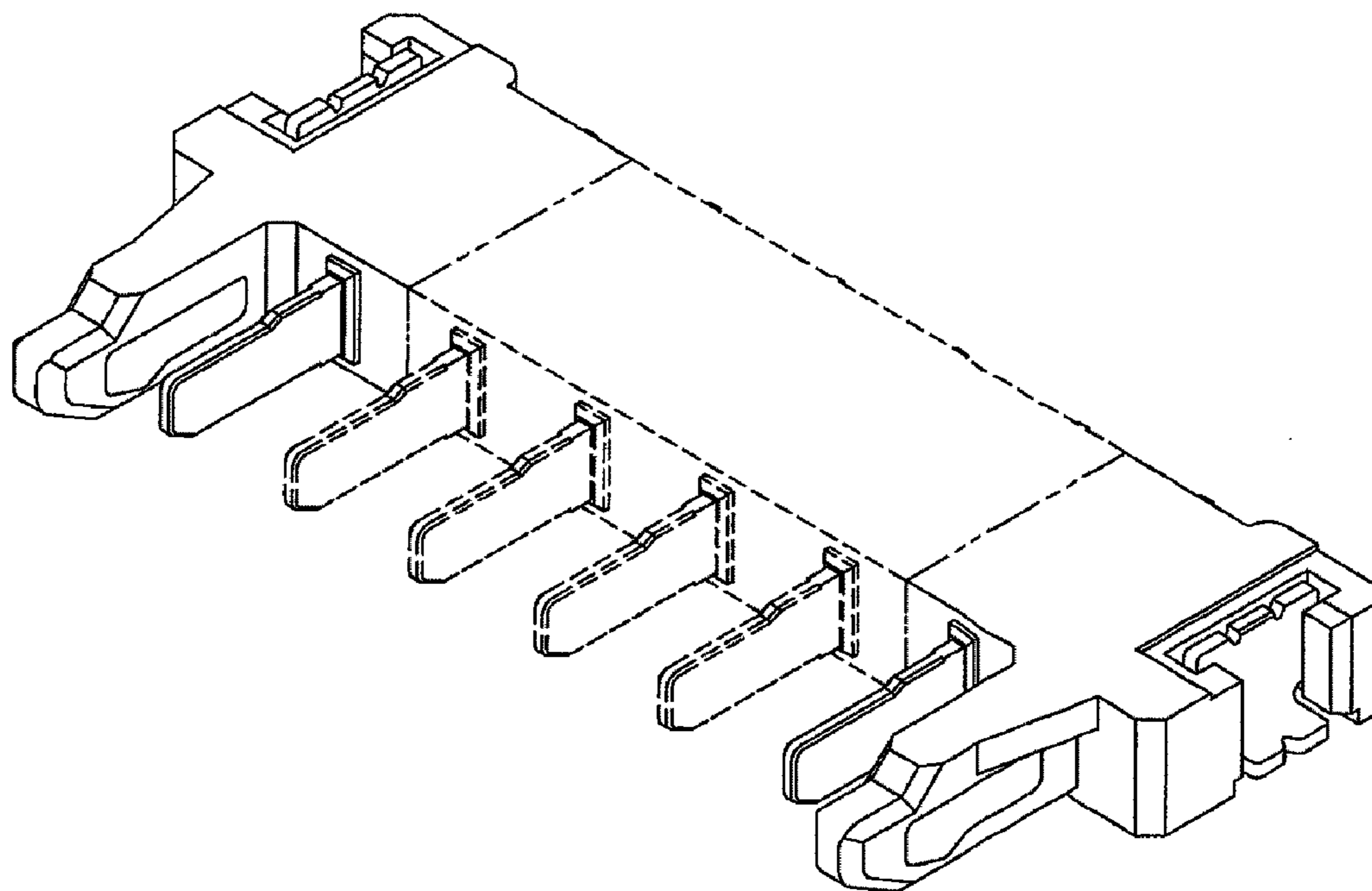


FIG. 6

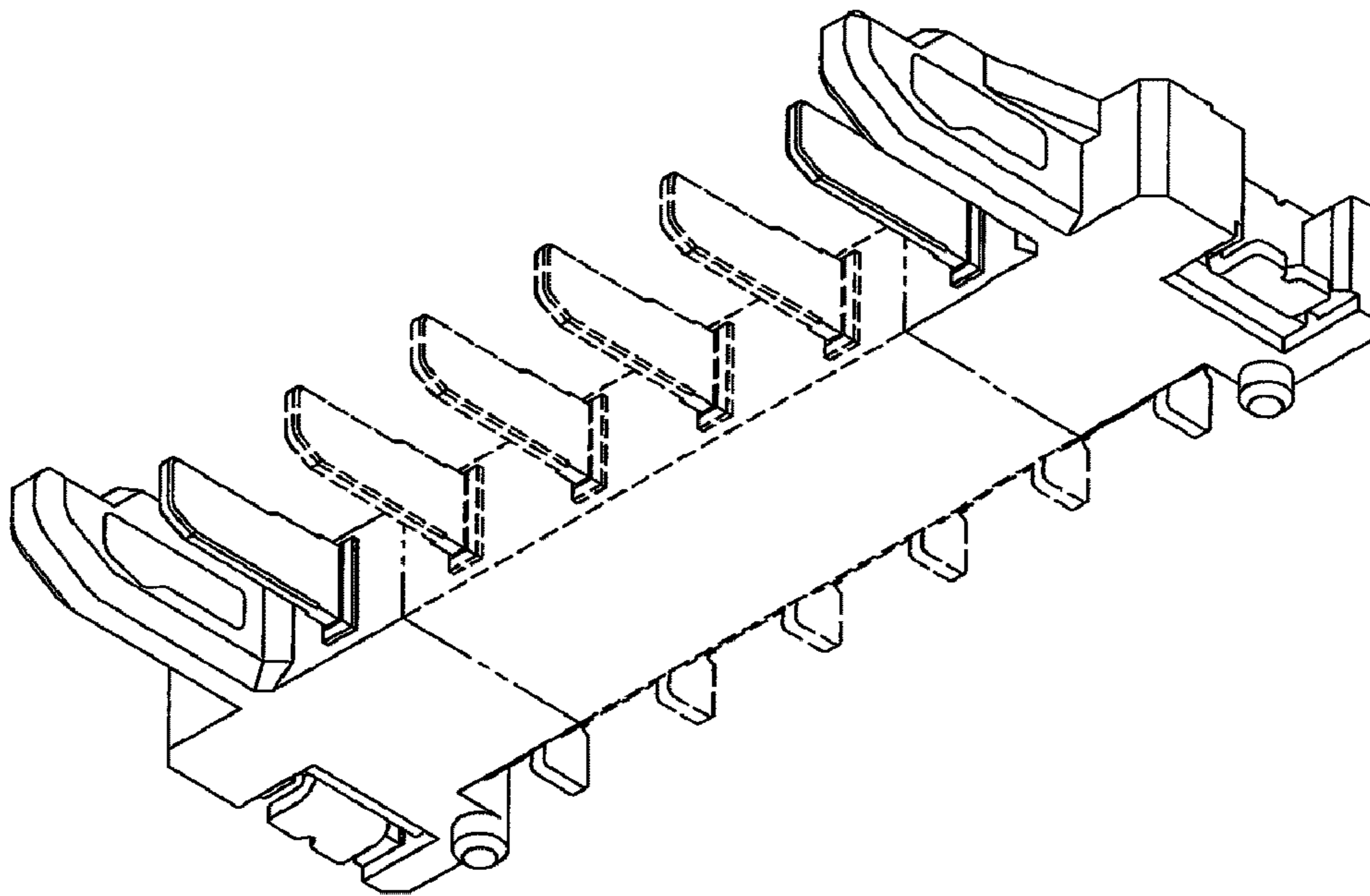


FIG. 7