



US00D652386S

(12) **United States Design Patent**
Ozeki

(10) **Patent No.:** **US D652,386 S**
(45) **Date of Patent:** **** Jan. 17, 2012**

(54) **ELECTRICAL CONNECTOR**

(75) Inventor: **Kosuke Ozeki**, Kanagawa (JP)

(73) Assignee: **I-Pex Co., Ltd.** (JP)

(**) Term: **14 Years**

(21) Appl. No.: **29/355,020**

(22) Filed: **Feb. 1, 2010**

(30) **Foreign Application Priority Data**

Aug. 6, 2009 (JP) 2009-018077
Jan. 18, 2010 (JP) 2010-000967

(51) **LOC (9) Cl.** **13-03**

(52) **U.S. Cl.** **D13/147**

(58) **Field of Classification Search** D13/147,
D13/154, 156, 184, 199; 439/64, 79, 159,
439/160, 260, 278, 325, 328, 329, 381, 395,
439/422, 630, 862, 892, 894

See application file for complete search history.

(56) **References Cited**

U.S. PATENT DOCUMENTS

D455,400 S * 4/2002 Hisatomi et al. D13/147
D541,750 S * 5/2007 Yoshikai D13/147
D590,777 S * 4/2009 Tanaka D13/147
D591,241 S * 4/2009 Yang D13/147
D626,079 S * 10/2010 Yotsutani D13/147
D628,164 S * 11/2010 Mashima D13/147
D629,759 S * 12/2010 Hara D13/147

FOREIGN PATENT DOCUMENTS

JP D1156339 9/2002
JP D1201844 2/2004
JP D1267584 2/2006
JP 1316780 11/2007

* cited by examiner

Primary Examiner — Daniel Bui

(74) *Attorney, Agent, or Firm* — Studebaker & Brackett PC;
Donald R. Studebaker

(57) **CLAIM**

The ornamental design for an electrical connector, as shown and described.

DESCRIPTION

FIG. 1 is a front, top and left side perspective view of a first embodiment of an electrical connector showing my new design;

FIG. 2 is a rear, top and right side perspective view thereof; FIG. 3 is a front, top and left side perspective view thereof, in use condition;

FIG. 4 is a top plan view thereof;

FIG. 5 is a front view thereof;

FIG. 6 is a bottom plan view thereof;

FIG. 7 is a rear view thereof;

FIG. 8 is a right side view thereof, the left side view is a mirror image thereto;

FIG. 9 is a front, top and left side perspective view of a second embodiment of an electrical connector showing my new design;

FIG. 10 is a rear, top and right side perspective view thereof; FIG. 11 is a front, top and left side perspective view thereof, in use condition;

FIG. 12 is a top plan view thereof;

FIG. 13 is a front view thereof;

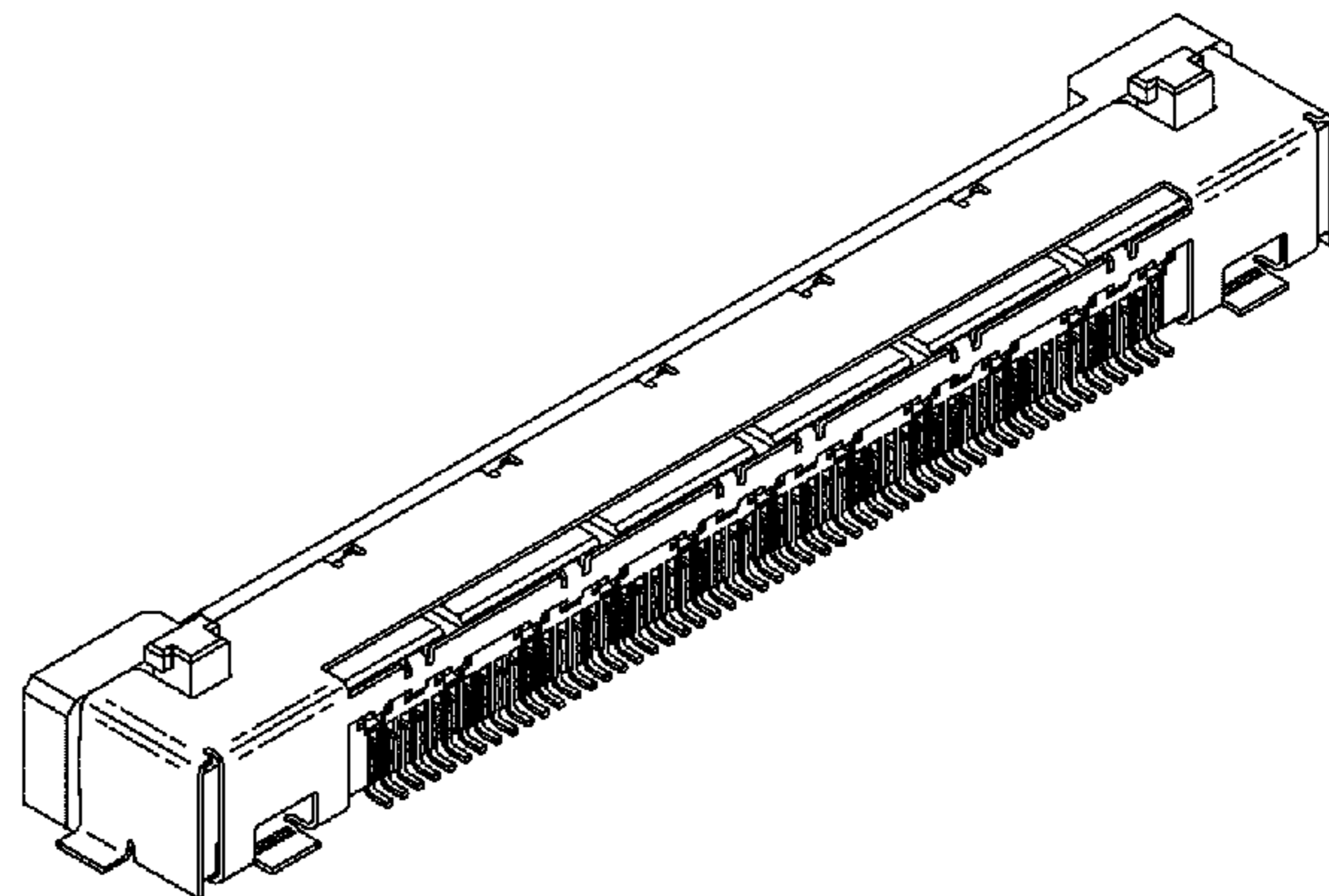
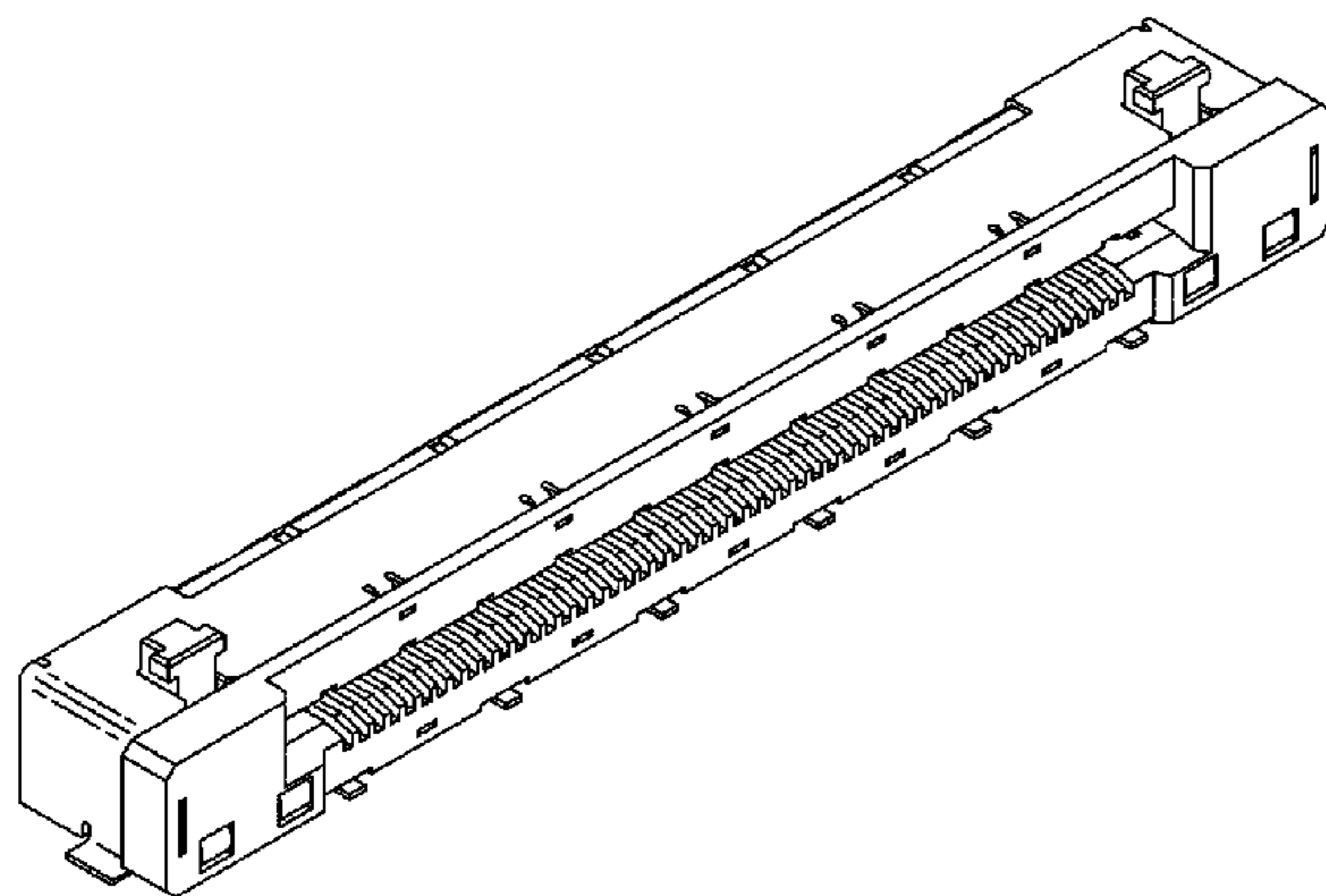
FIG. 14 is a bottom plan view thereof;

FIG. 15 is a rear view thereof; and,

FIG. 16 is a right side view thereof, the left side view is a mirror image thereto.

The broken line of the environment shown in each of FIGS. 3 and 11 is unclaimed subject matter and forms no part of the claimed design.

1 Claim, 12 Drawing Sheets



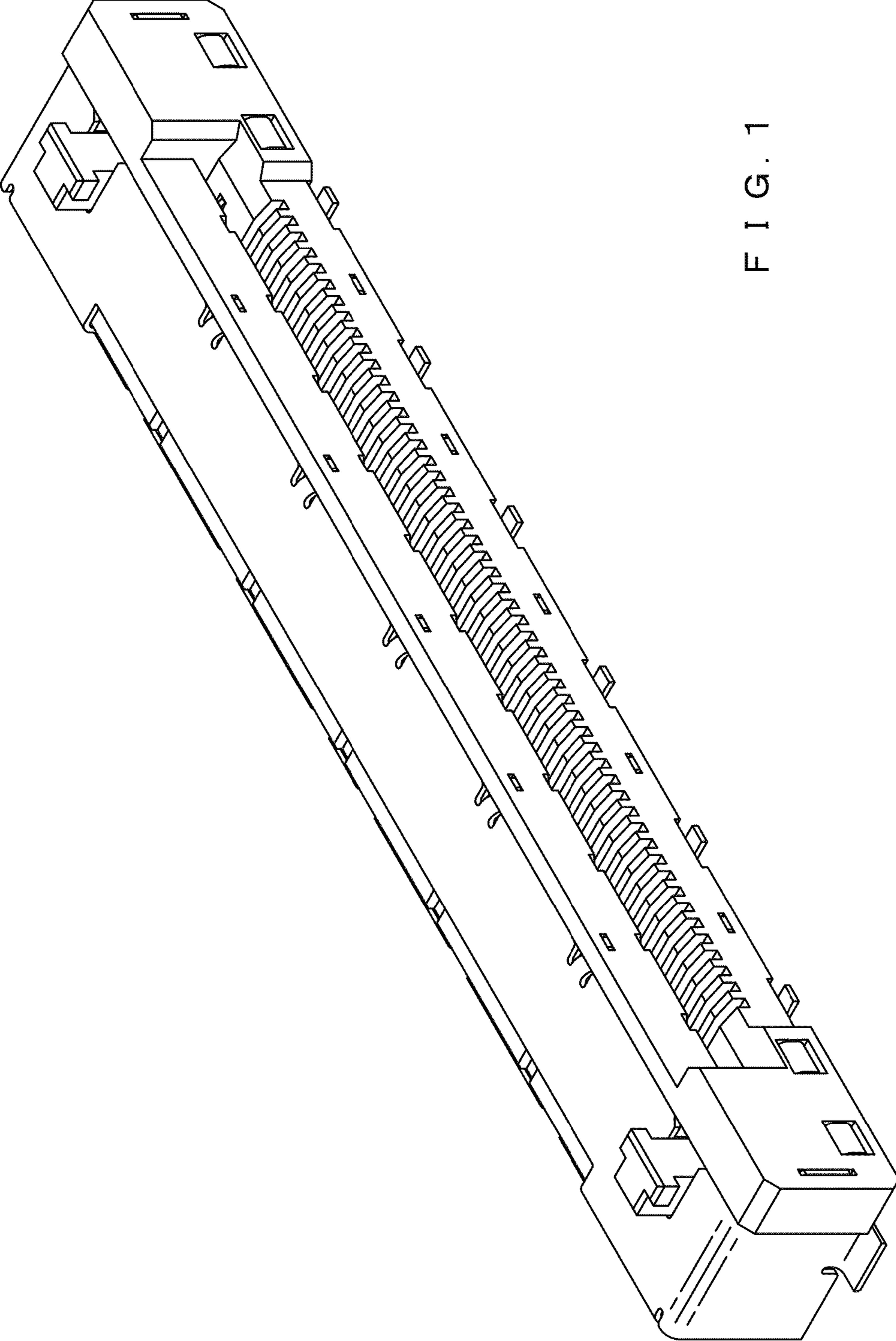


FIG. 1

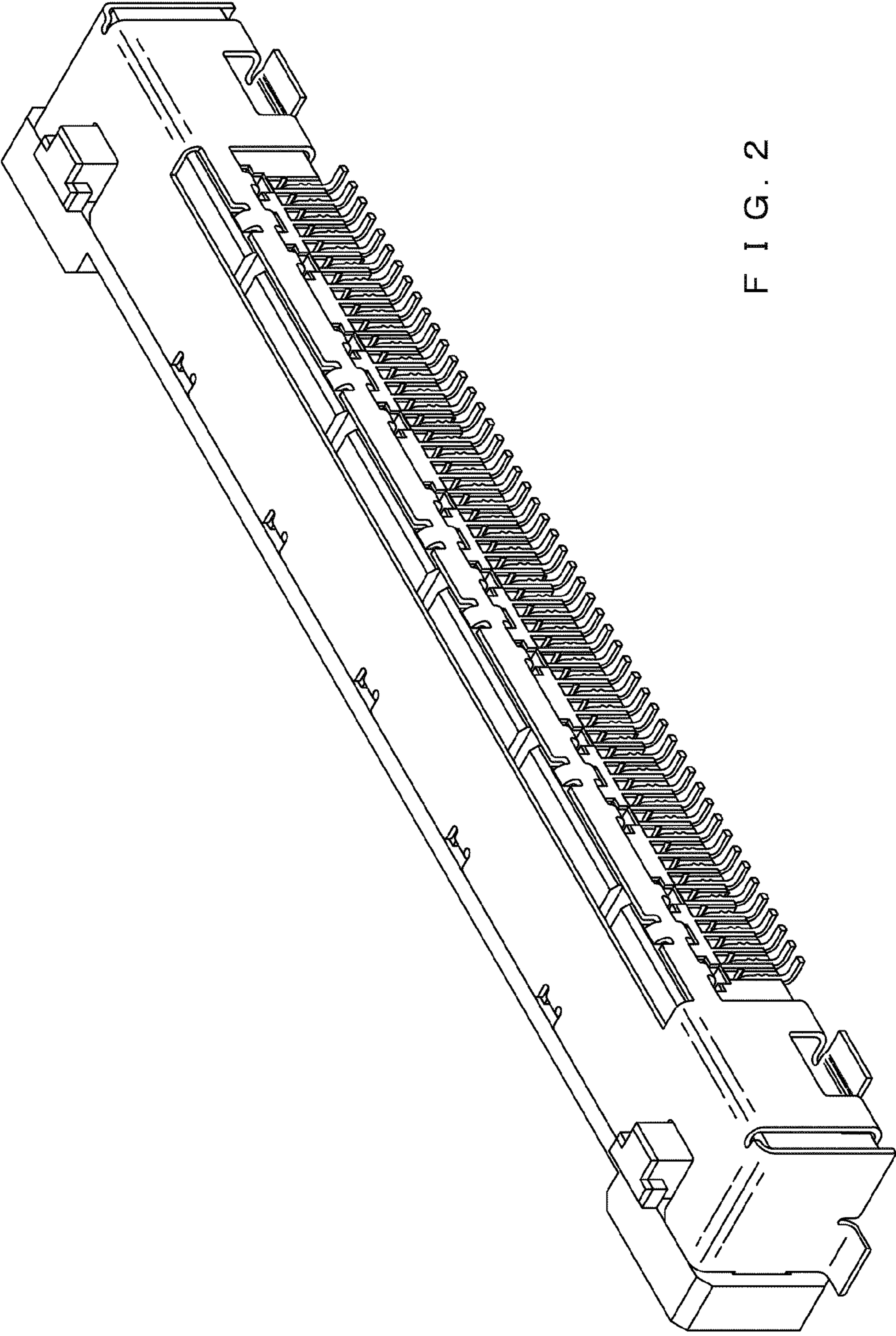


FIG. 2

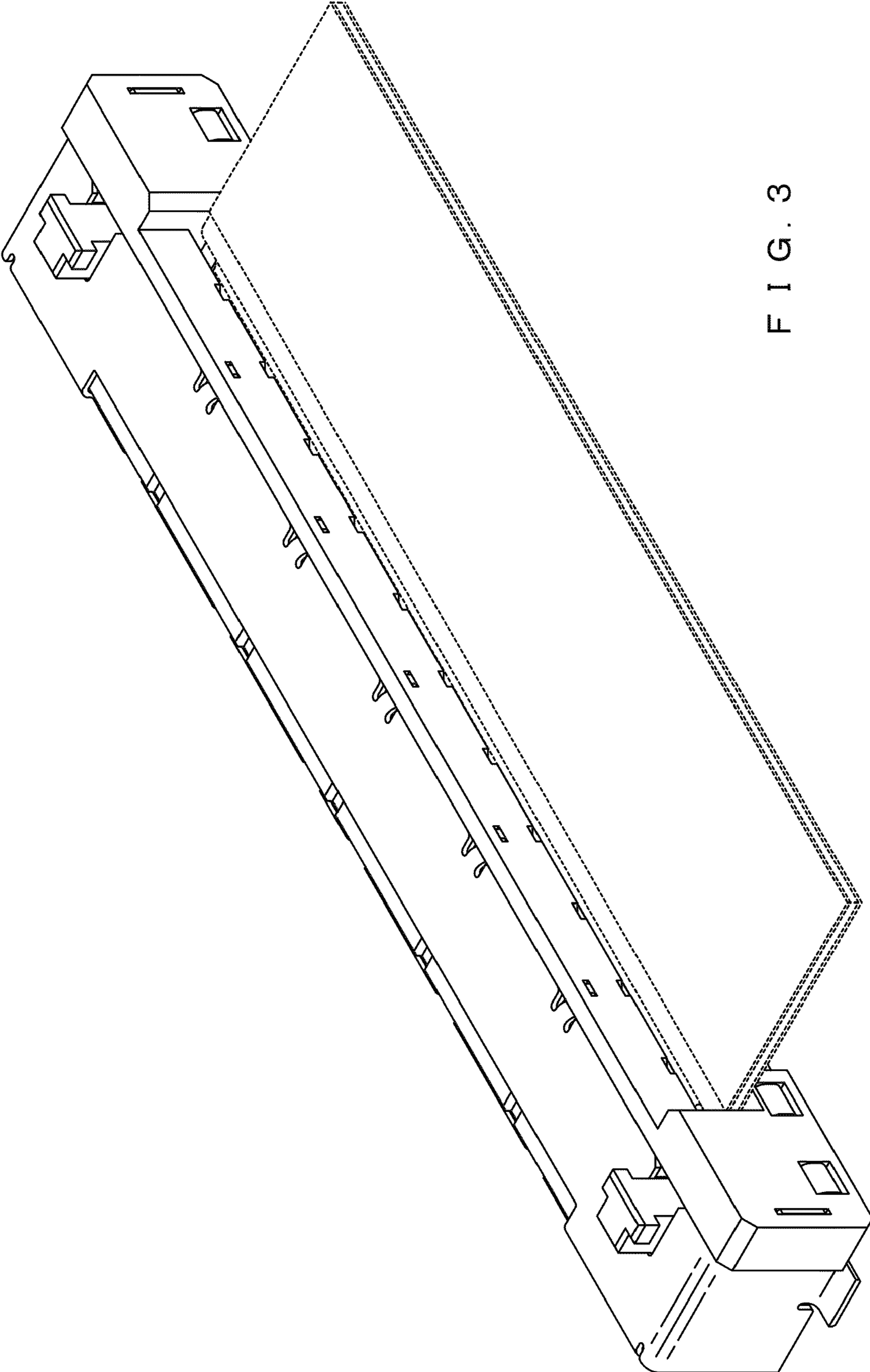


FIG. 3

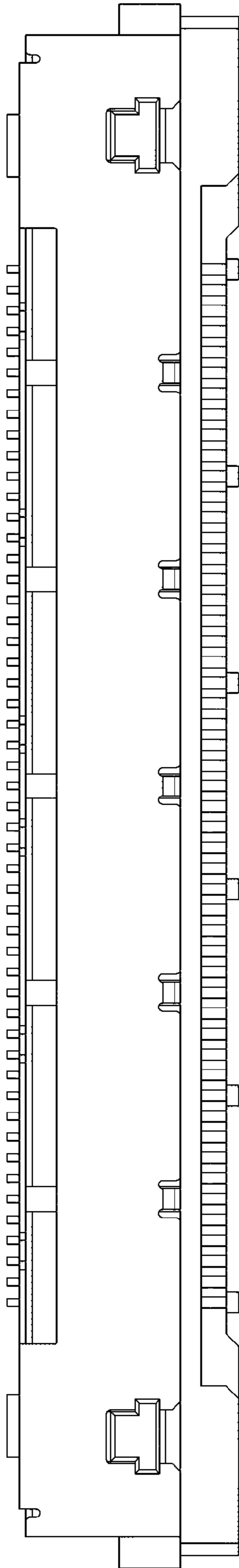


FIG. 4

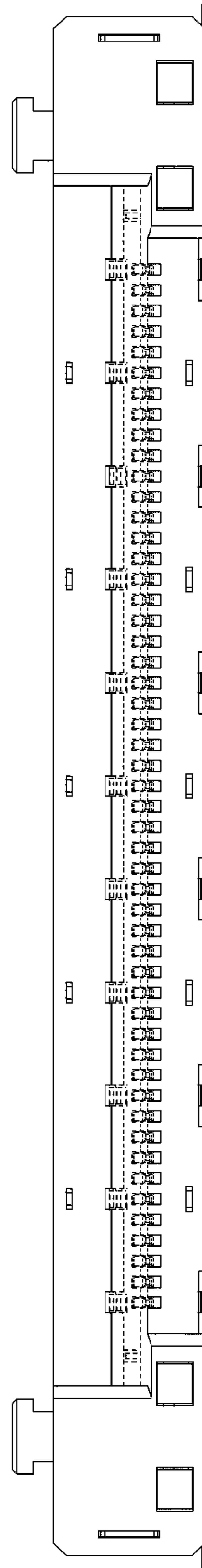


FIG. 5

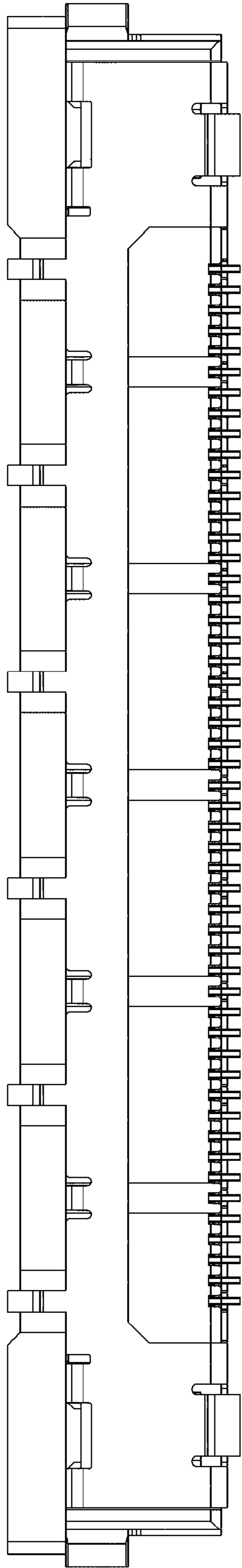


FIG. 6

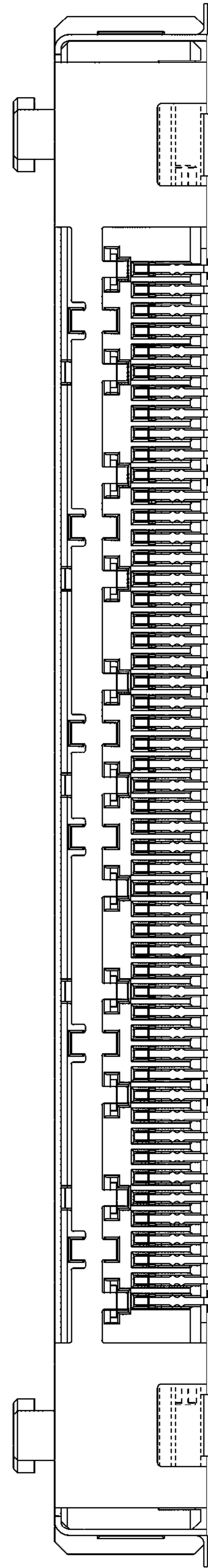


FIG. 7

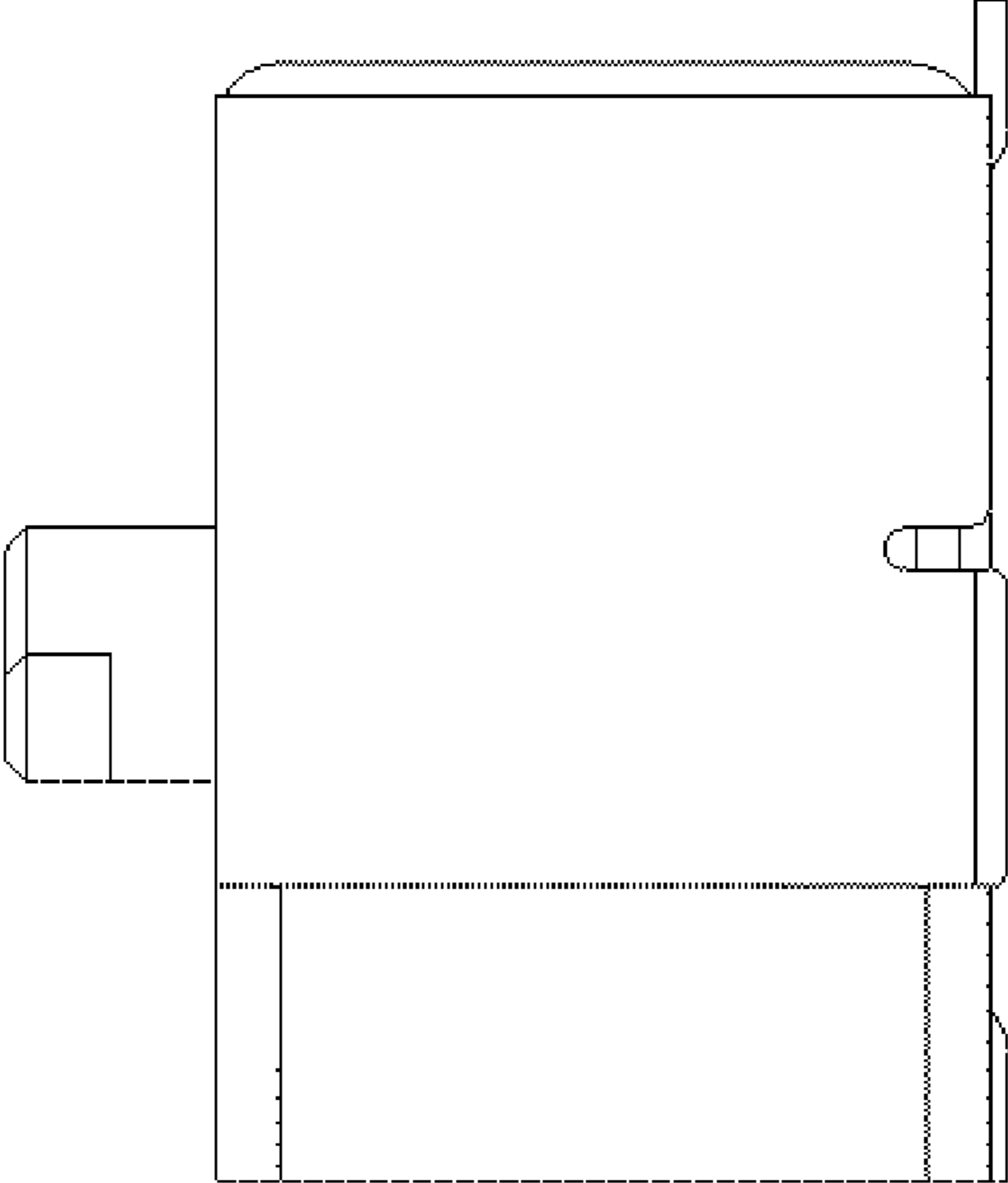


FIG. 8

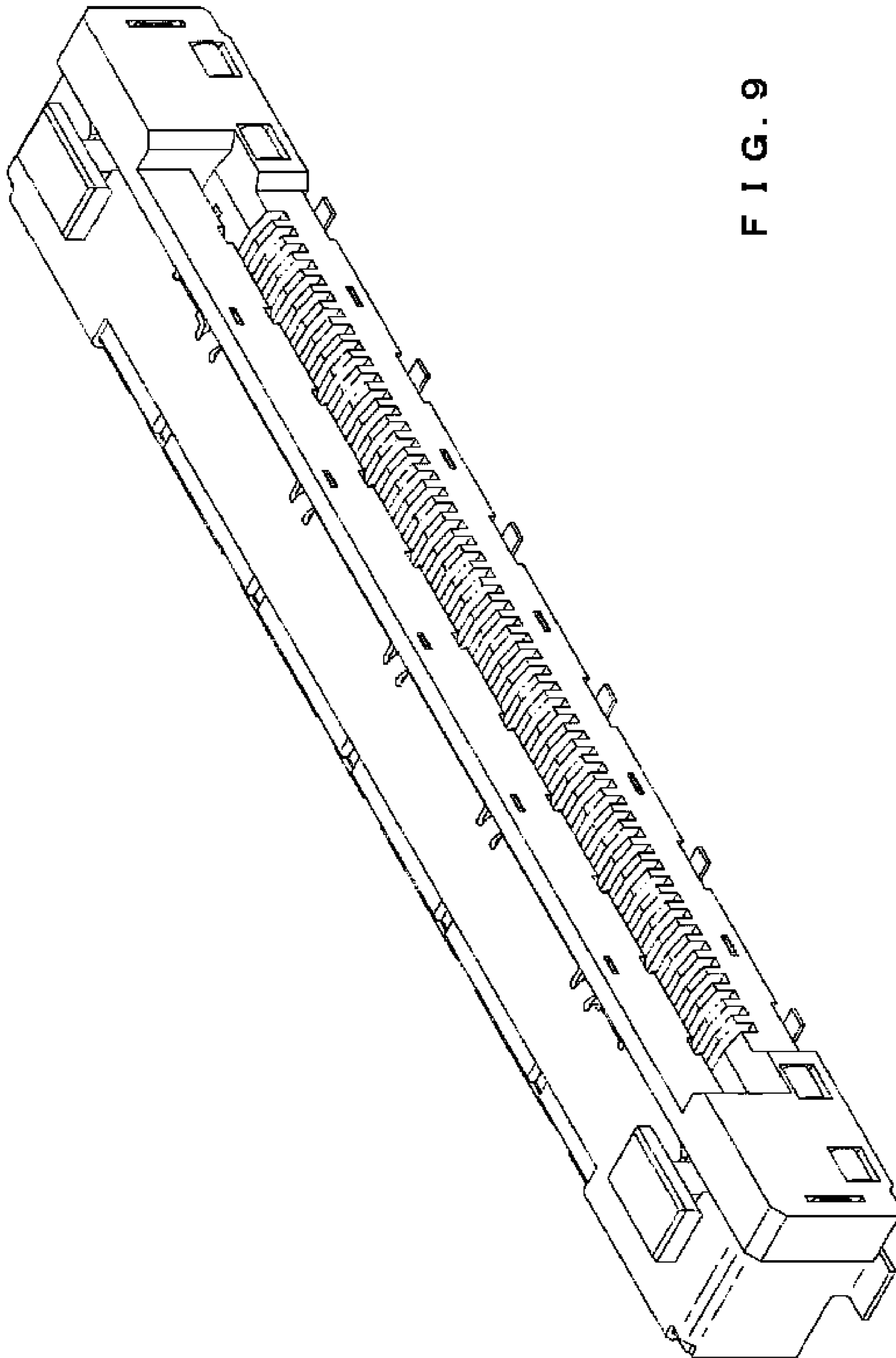


FIG. 9

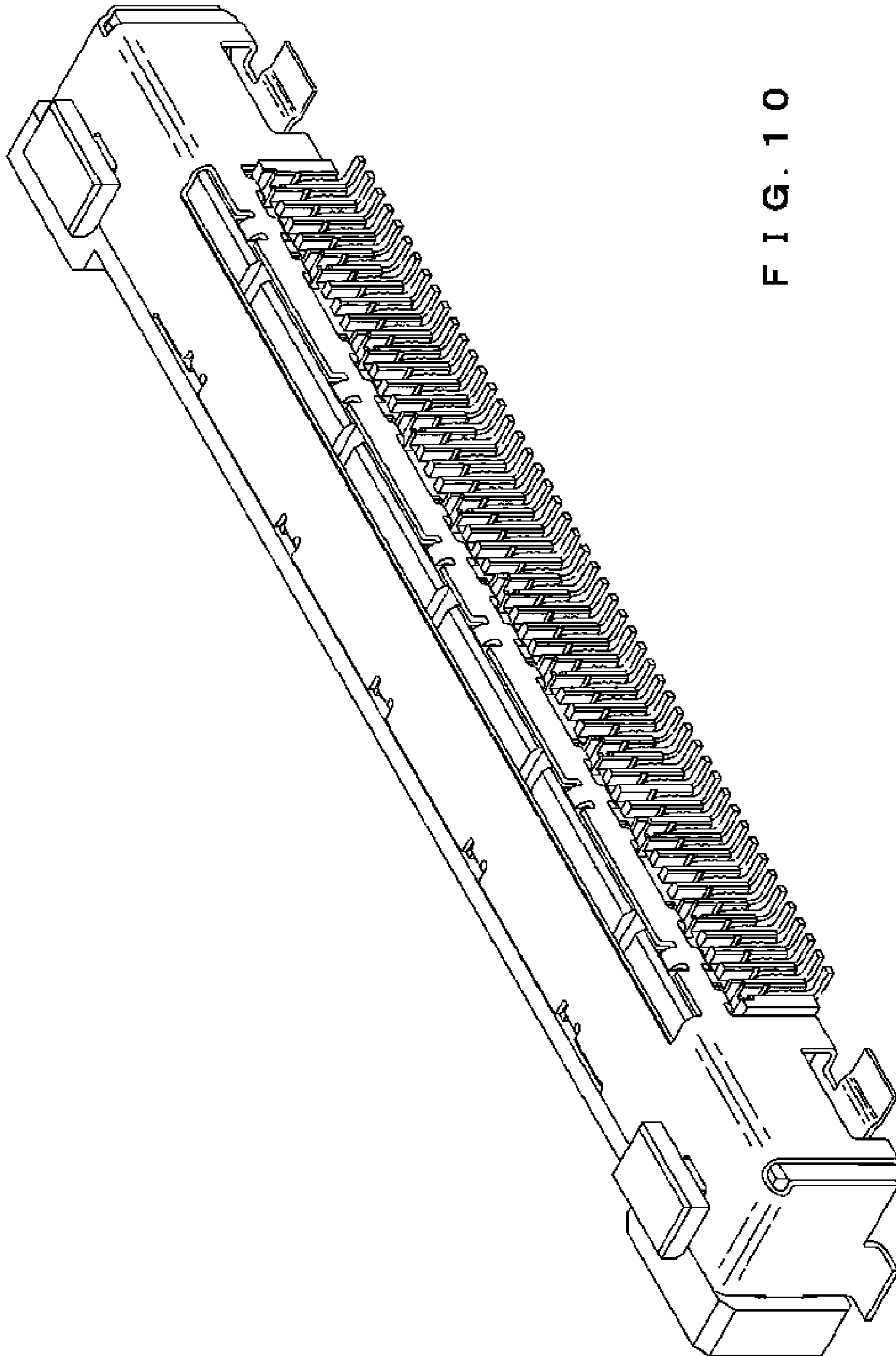


FIG. 10

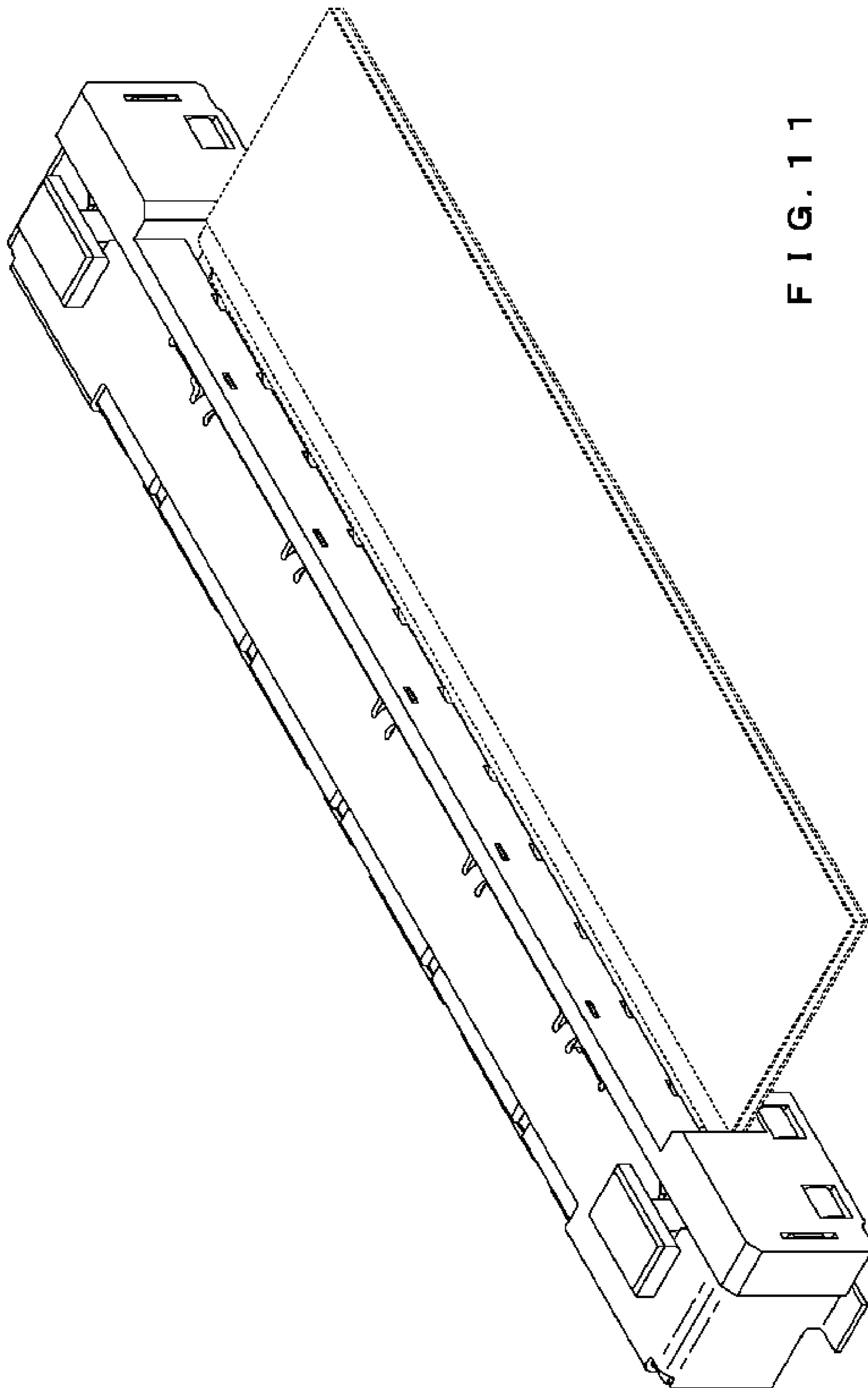


FIG. 11

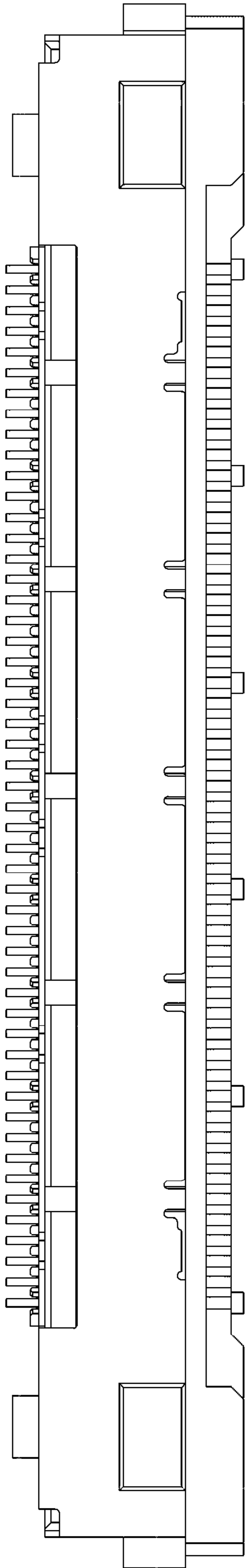


FIG. 12

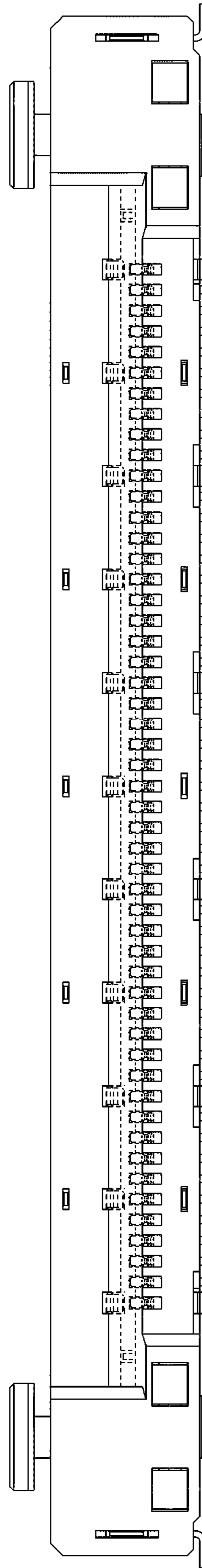


FIG. 13

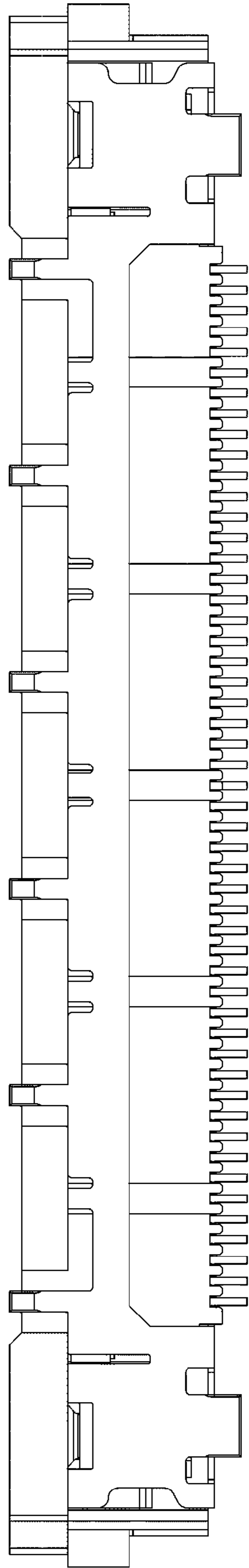


FIG. 14

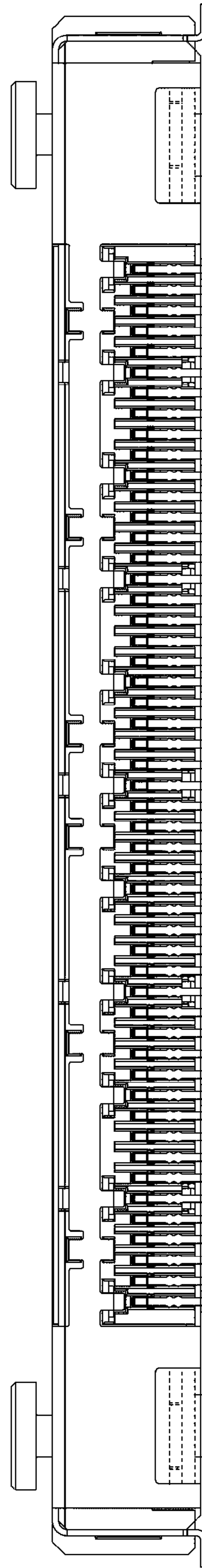


FIG. 15

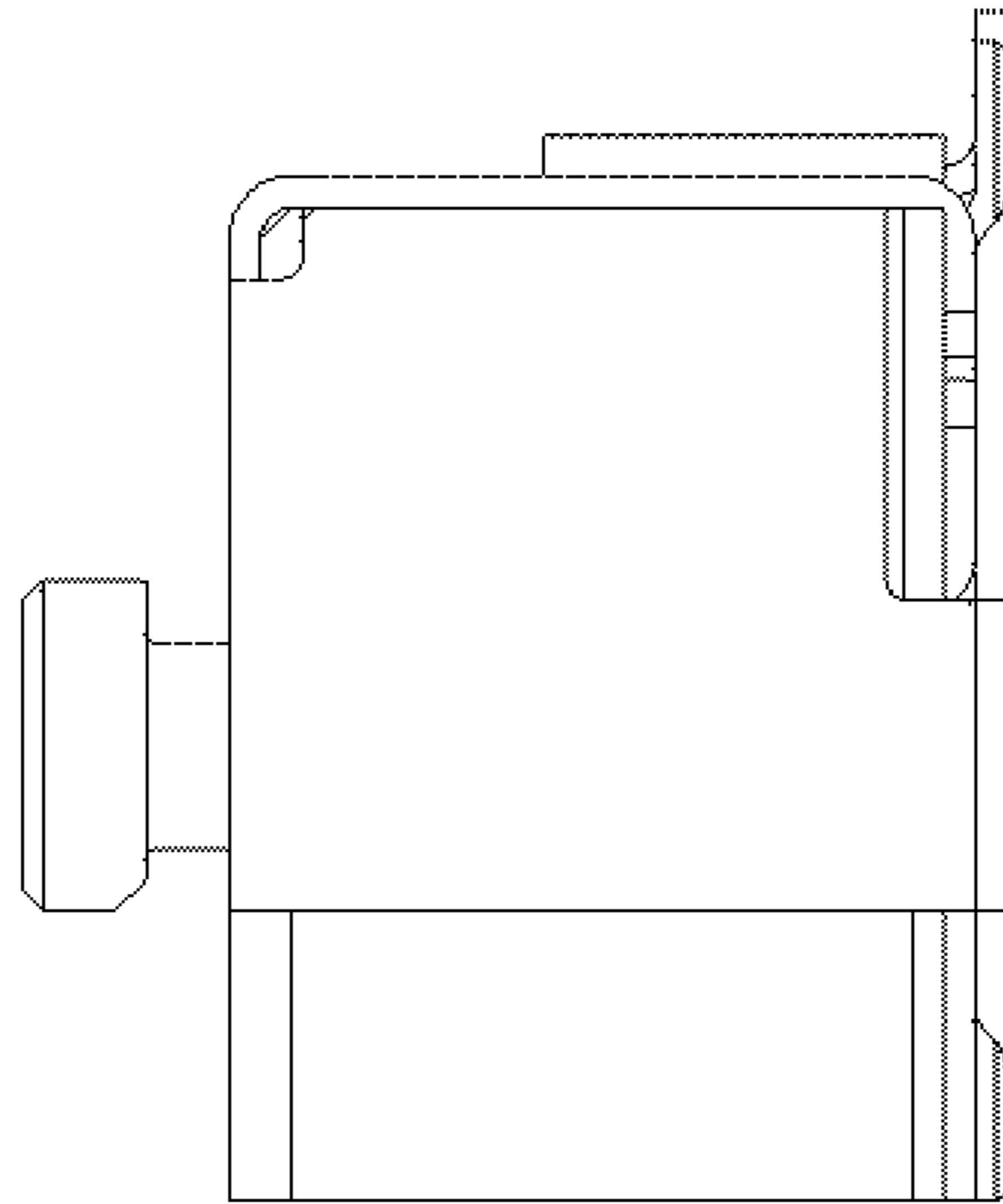


FIG. 16