



US00D652382S

(12) **United States Design Patent**
Yamauchi et al.

(10) **Patent No.:** **US D652,382 S**
(45) **Date of Patent:** **** Jan. 17, 2012**

(54) **STORAGE BATTERY**

(75) Inventors: **Yasuhiro Yamauchi**, Moriguchi (JP);
Toshiyuki Nohma, Moriguchi (JP)

(73) Assignee: **Sanyo Electric Co., Ltd.**, Osaka (JP)

(**) Term: **14 Years**

(21) Appl. No.: **29/371,619**

(22) Filed: **May 25, 2011**

Related U.S. Application Data

(62) Division of application No. 29/371,006, filed on Sep. 10, 2010, now Pat. No. Des. 645,813.

(30) **Foreign Application Priority Data**

Mar. 12, 2010 (JP) 2010-006037
Mar. 12, 2010 (JP) 2010-006038

(51) **LOC (9) Cl.** **13-02**

(52) **U.S. Cl.** **D13/119**

(58) **Field of Classification Search** D13/102-106,
D13/110, 118-12, 184; 429/96-100, 163,
429/176

See application file for complete search history.

(56) **References Cited**

U.S. PATENT DOCUMENTS

D130,616 S 12/1941 Sears
4,131,723 A 12/1978 Dalibard et al.
4,186,983 A * 2/1980 Kaye 439/350
D340,907 S * 11/1993 Smith et al. D13/110
D418,807 S * 1/2000 Suzuki et al. D13/104
D423,449 S * 4/2000 Naskali D13/103
6,045,883 A 4/2000 Akiyama et al.

D480,356 S * 10/2003 Omori et al. D13/104
D504,399 S 4/2005 Peled et al.
D509,182 S * 9/2005 Takeshita et al. D13/103
D548,685 S 8/2007 Eto et al.
D548,686 S 8/2007 Eto et al.
D556,687 S 12/2007 Miyamoto et al.
D568,840 S * 5/2008 Hsu D13/184
D583,756 S 12/2008 Walsh et al.
D587,646 S 3/2009 Ushijima et al.
D591,230 S 4/2009 Tasai
D592,129 S 5/2009 Masuda et al.
D594,402 S 6/2009 Inoue et al.
D600,207 S 9/2009 Lumpkins
D616,397 S 5/2010 Tai
D619,959 S * 7/2010 Takeshita et al. D13/103
7,794,871 B2 9/2010 Kim
2010/0143786 A1 6/2010 Kim
2010/0297484 A1 11/2010 Kim

* cited by examiner

Primary Examiner — Rosemary K Tarcza

(74) *Attorney, Agent, or Firm* — Rabin & Berdo, PC

(57) **CLAIM**

The ornamental design for a storage battery, as shown and described.

DESCRIPTION

FIG. 1 is a perspective view of an embodiment of a storage battery showing our new design;
FIG. 2 is a front elevation view of the embodiment;
FIG. 3 is a rear perspective view of the embodiment;
FIG. 4 is a top plan view of the embodiment;
FIG. 5 a bottom plan view of the embodiment; and,
FIG. 6 is a right side view of the embodiment, the left side view thereof being a mirror image.

The broken lines shown in the figures are for illustrative purposes only and form no part of the claimed design.

1 Claim, 4 Drawing Sheets

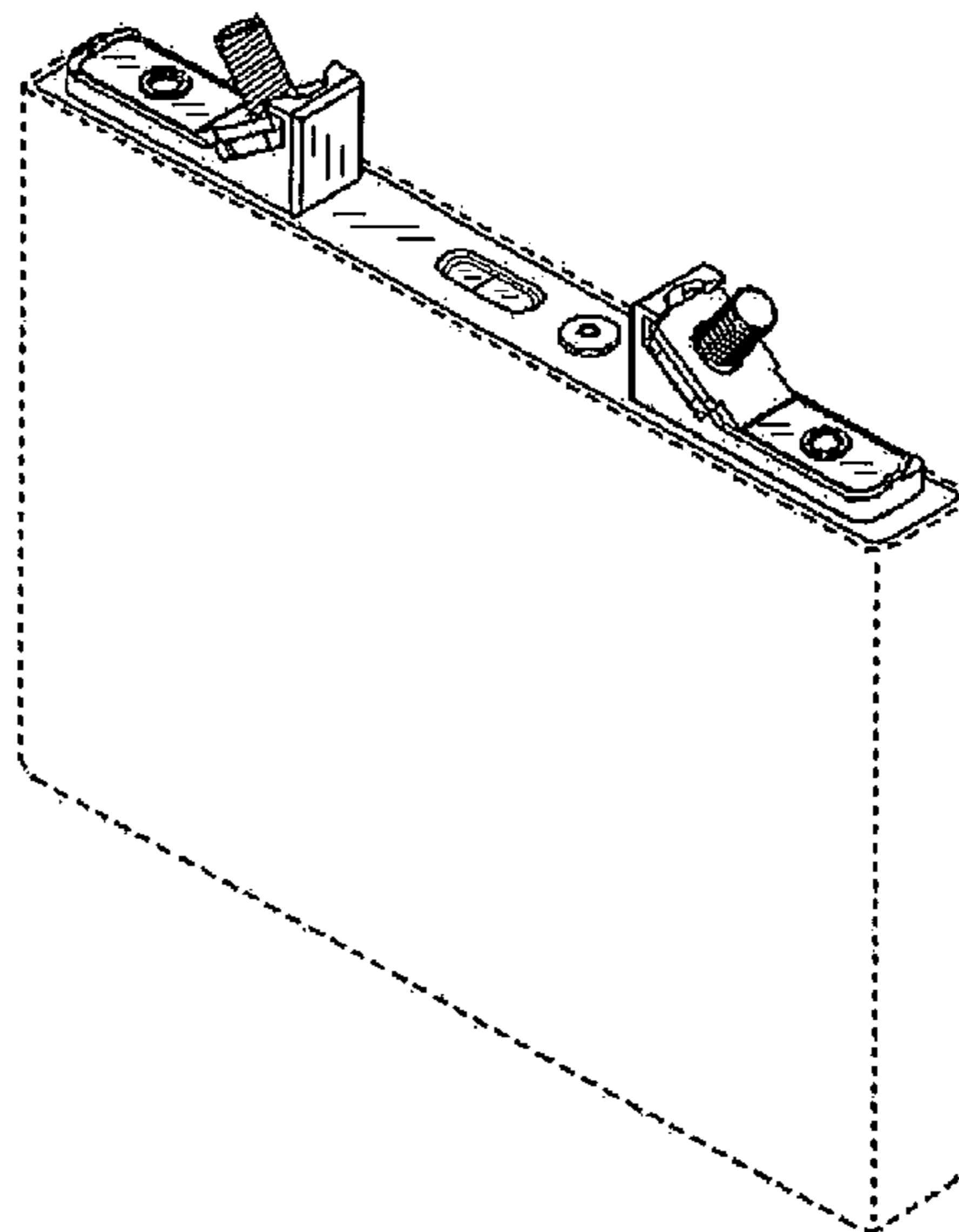


FIG. 1

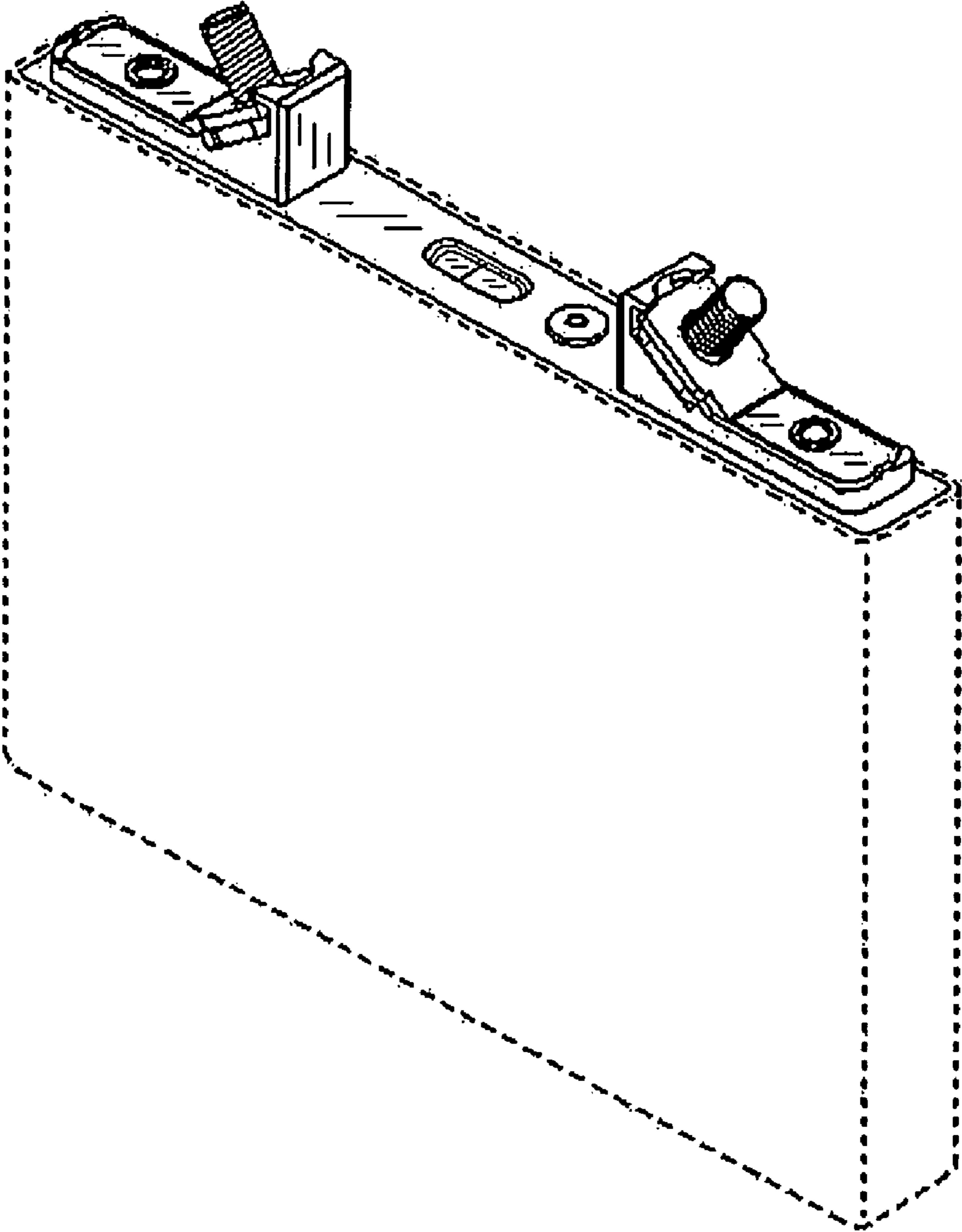


FIG. 2

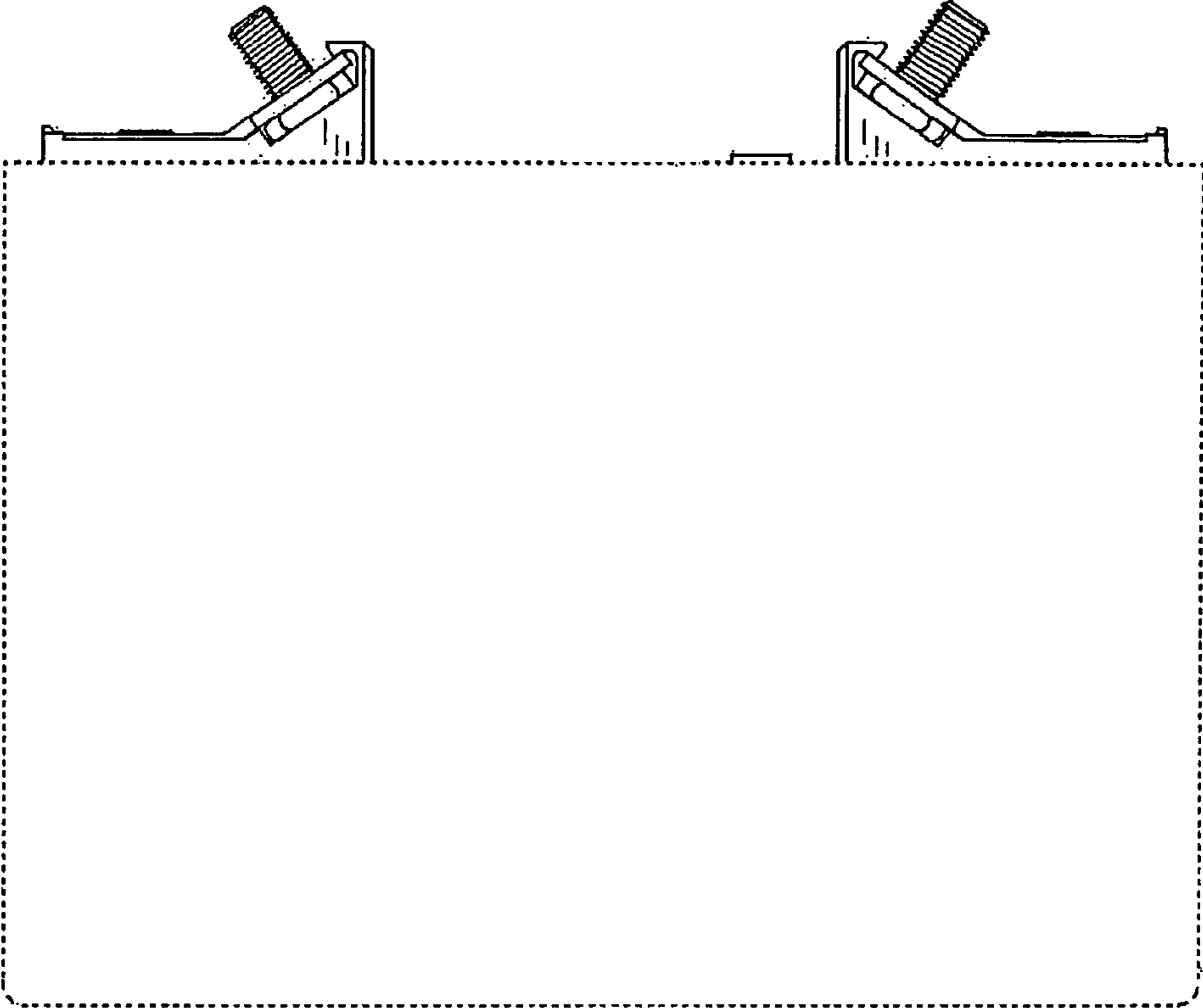


FIG. 3

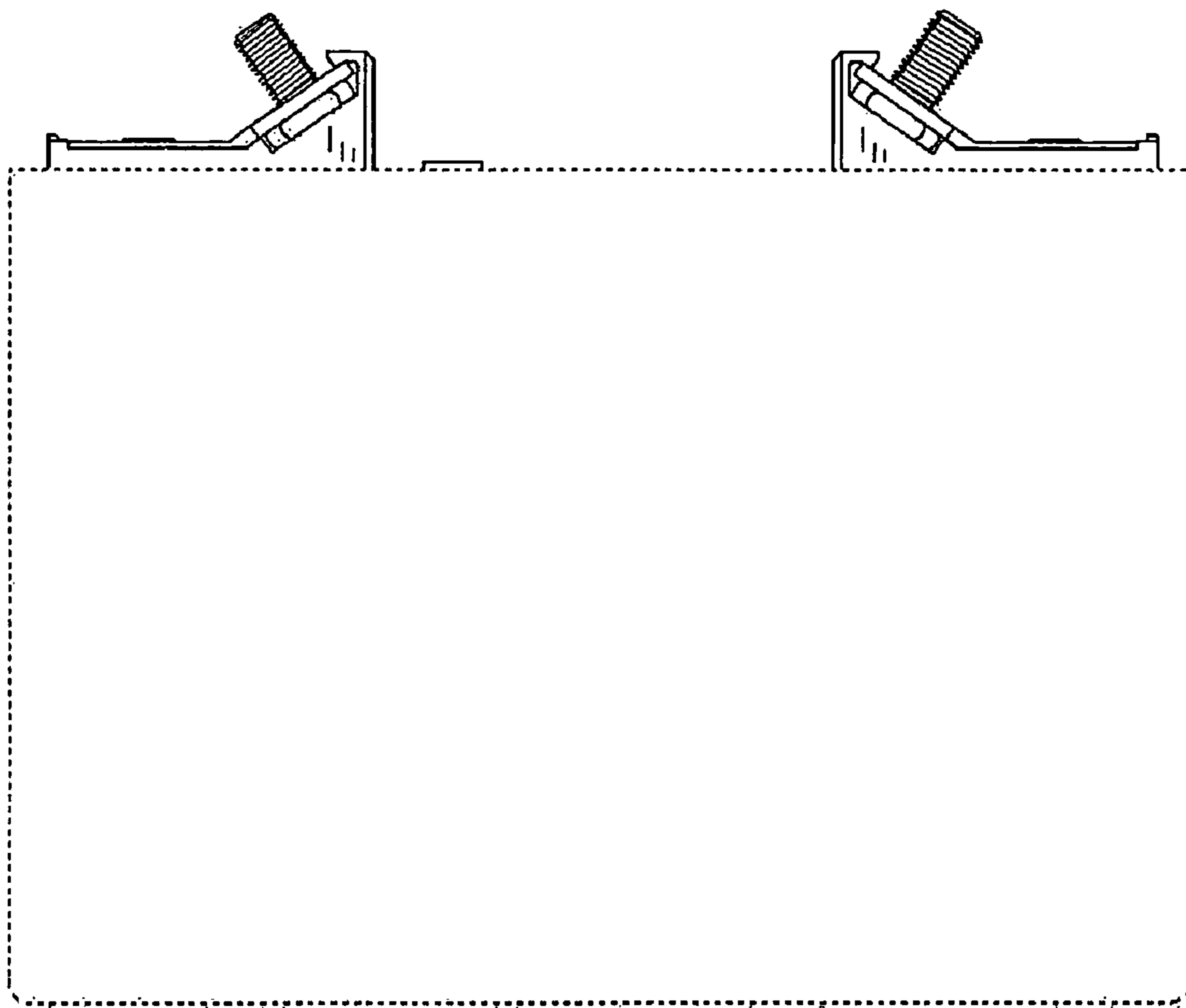


FIG. 4

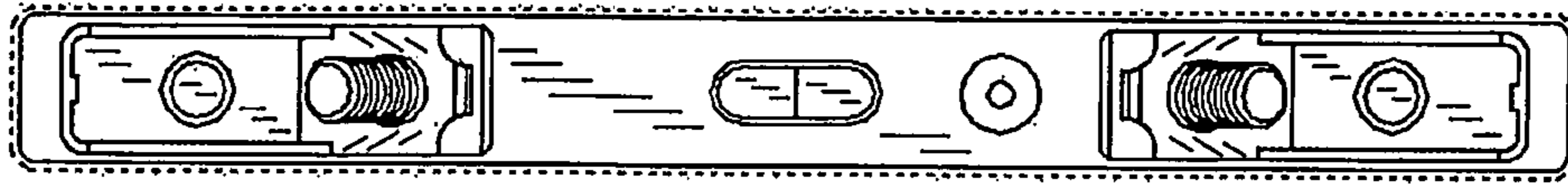


FIG. 5



FIG. 6

