



US00D652381S

(12) **United States Design Patent**
Tien

(10) **Patent No.:** **US D652,381 S**

(45) **Date of Patent:** **** Jan. 17, 2012**

(54) **POWER PLUG**

(75) **Inventor:** **Li-Wen Tien**, New Taipei (TW)

(73) **Assignee:** **Hon Hai Precision Industry Co., Ltd.**,
Tu-Cheng, New Taipei (TW)

(**) **Term:** **14 Years**

(21) **Appl. No.:** **29/402,211**

(22) **Filed:** **Sep. 21, 2011**

(51) **LOC (9) Cl.** **13-02**

(52) **U.S. Cl.** **D13/110**

(58) **Field of Classification Search** D13/110,
D13/107, 108, 118, 119, 123, 133, 137.1,
D13/184, 199; D14/251, 432, 434; 174/53,
174/54, 59, 61; 307/11, 150, 151; 320/107,
320/111, 112, 113, 114, 115; 361/679.01;
363/142, 146; 439/131, 172, 626, 628, 638
See application file for complete search history.

(56) **References Cited**

U.S. PATENT DOCUMENTS

D338,188	S	*	8/1993	Lee et al.	D13/110
D350,113	S	*	8/1994	Nagele	D13/110
5,613,863	A	*	3/1997	Klaus et al.	439/131
5,973,948	A	*	10/1999	Hahn et al.	363/146
D416,226	S	*	11/1999	Lohrding et al.	D13/110
6,086,395	A	*	7/2000	Lloyd et al.	439/172
D449,030	S	*	10/2001	Baxter et al.	D13/110

D456,008	S	*	4/2002	Kawanobe et al.	D13/110
6,669,495	B2	*	12/2003	Philips et al.	439/170
D484,853	S	*	1/2004	Alviar	D13/110
6,845,023	B2	*	1/2005	Philips et al.	363/132
D562,766	S	*	2/2008	Yang	D13/110
D593,031	S	*	5/2009	Miyatake et al.	D13/110

* cited by examiner

Primary Examiner — Derrick Holland

(74) *Attorney, Agent, or Firm* — Altis Law Group, Inc.

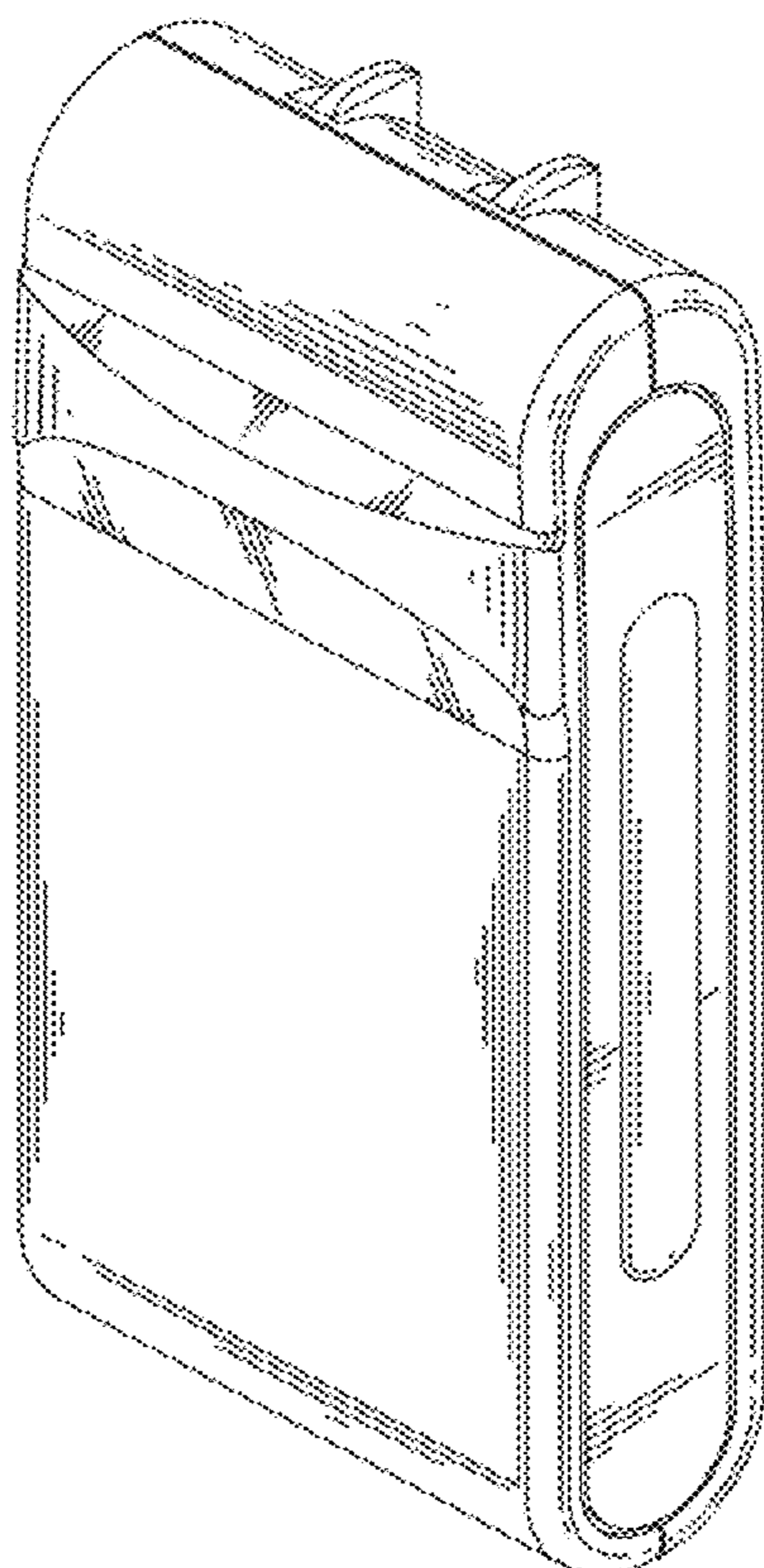
(57) **CLAIM**

The ornamental design for a power plug, as shown and described.

DESCRIPTION

FIG. 1 is a front perspective view of a power plug showing my new design, wherein two pins of the power plug are in a retracted position;
FIG. 2 is a front elevational view thereof;
FIG. 3 is a rear elevational view thereof;
FIG. 4 is a left side elevational view thereof;
FIG. 5 is a right side elevational view thereof;
FIG. 6 is a top plan view thereof;
FIG. 7 is a bottom plan view thereof; and,
FIG. 8 is a rear perspective view of the power plug, wherein the two pins of the power plug are in an extended position.
The broken lines of the figures are for the purpose of illustrating environment and form no part of the claimed design.

1 Claim, 8 Drawing Sheets



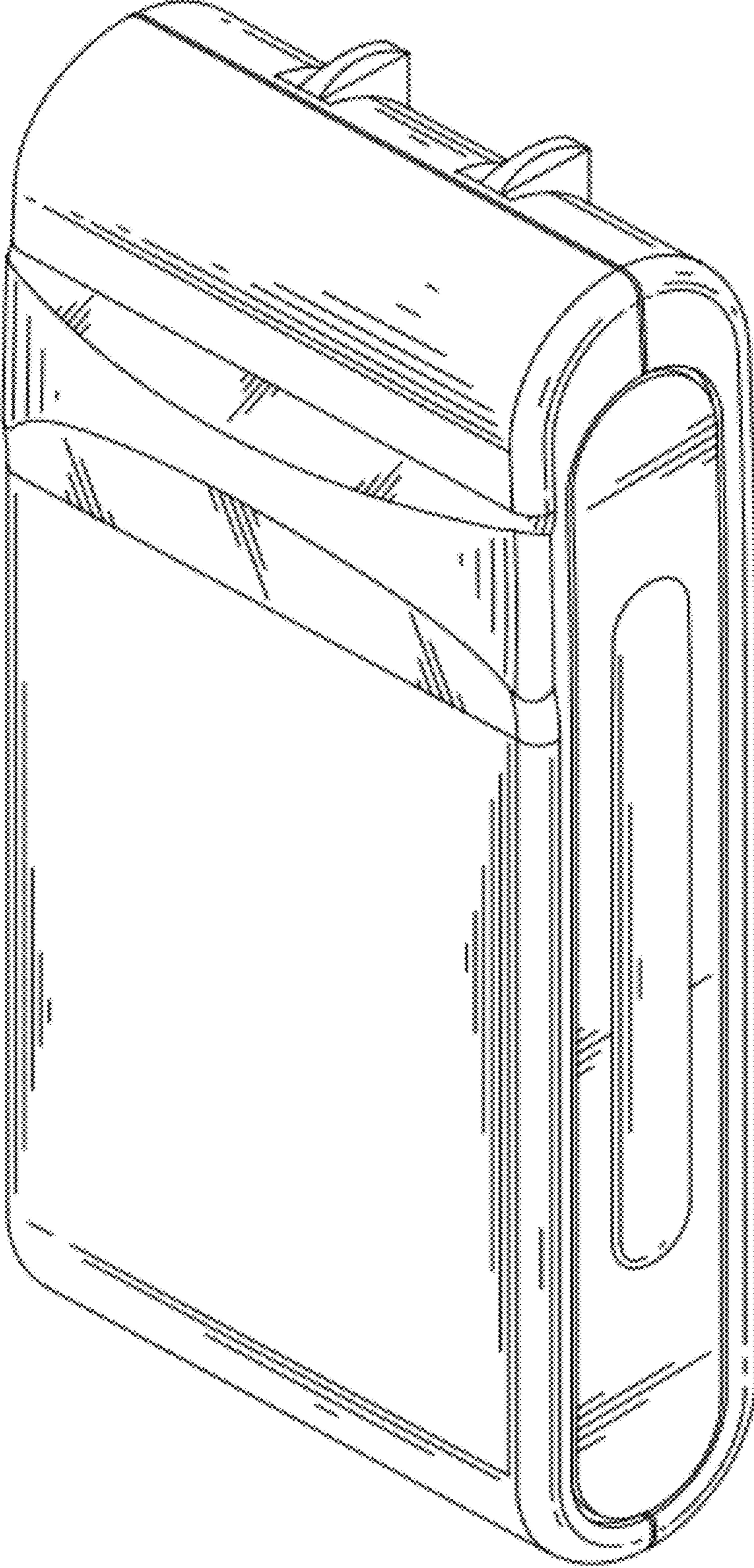


FIG. 1

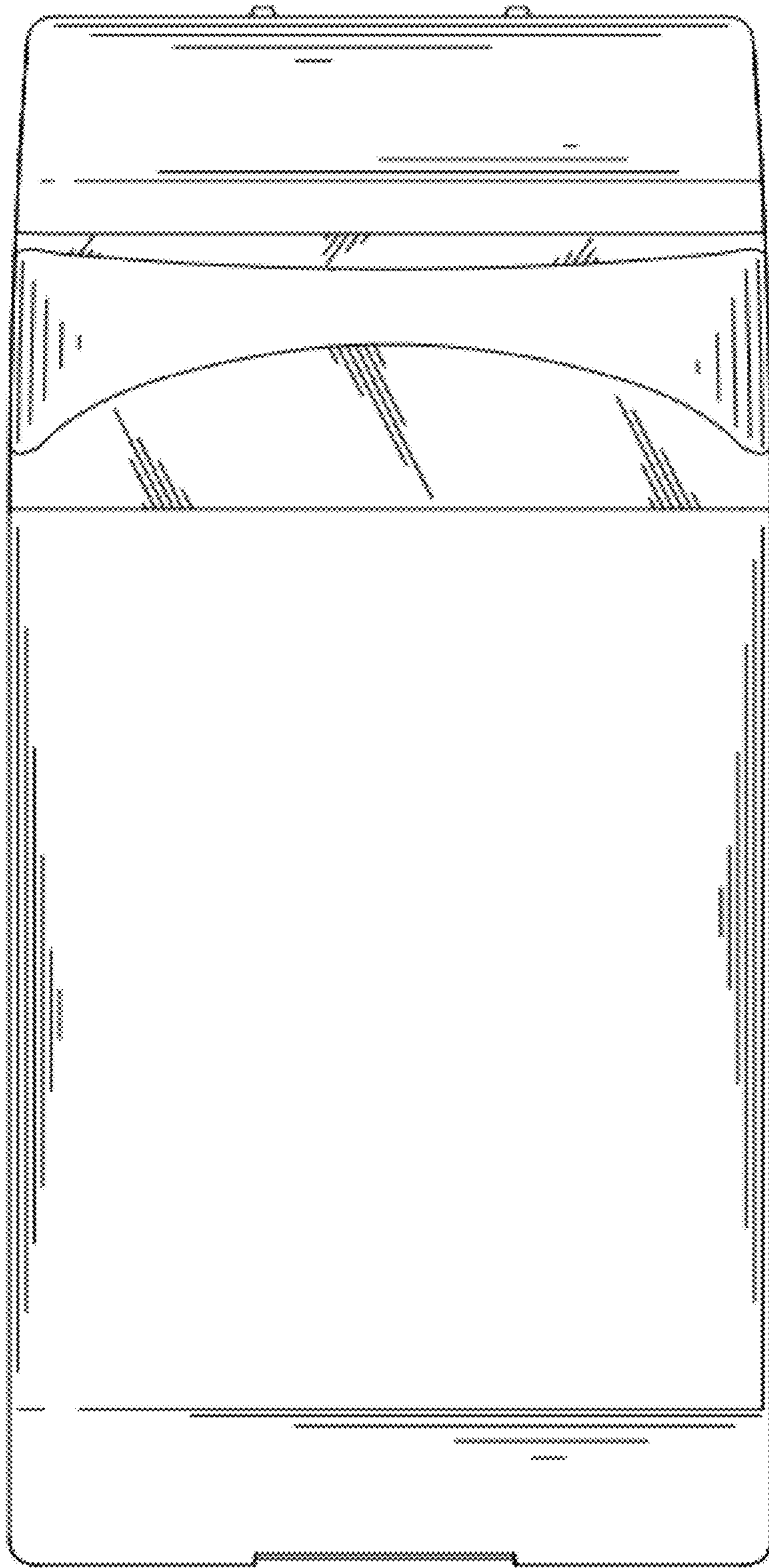


FIG. 2

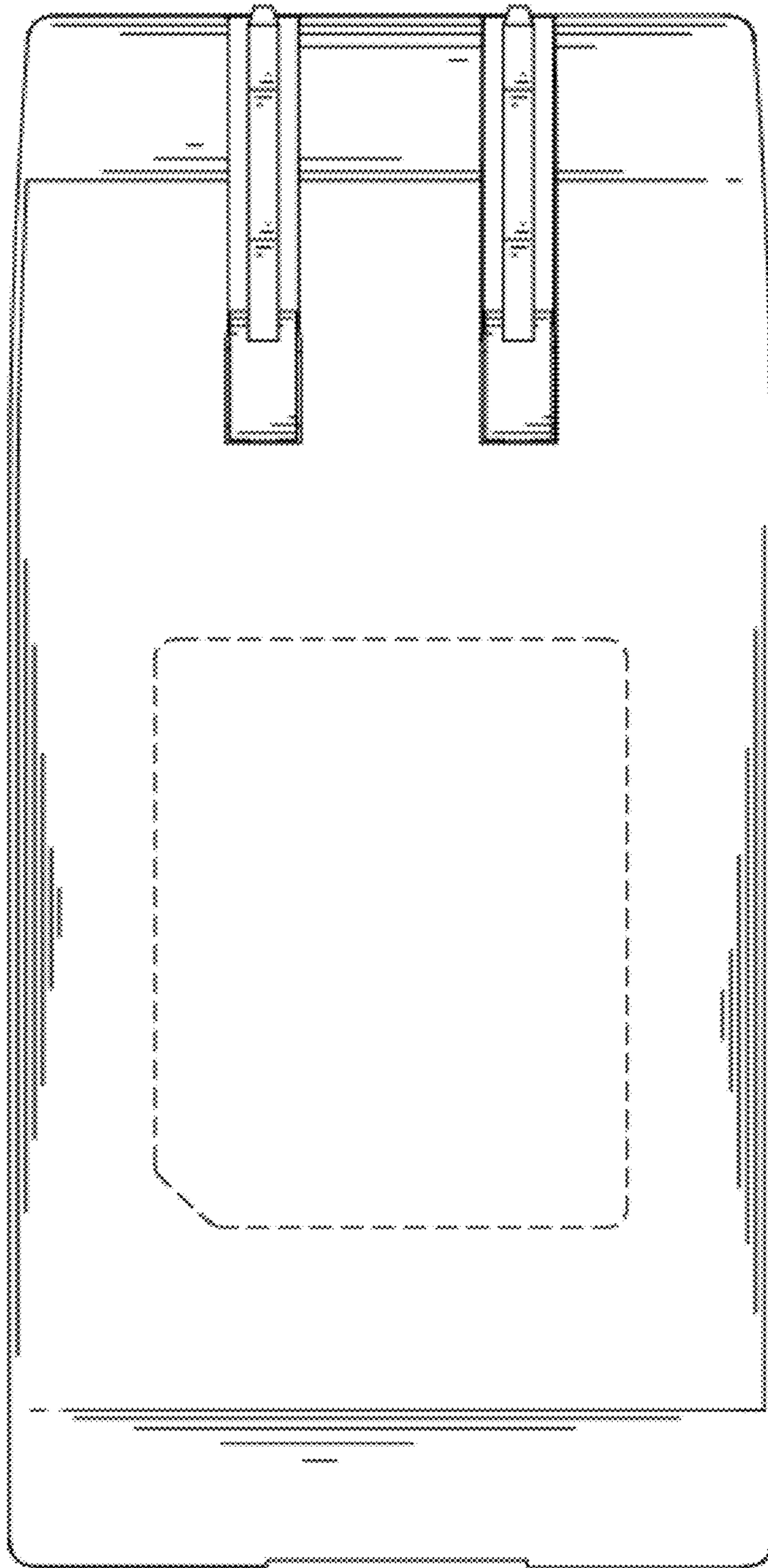


FIG. 3

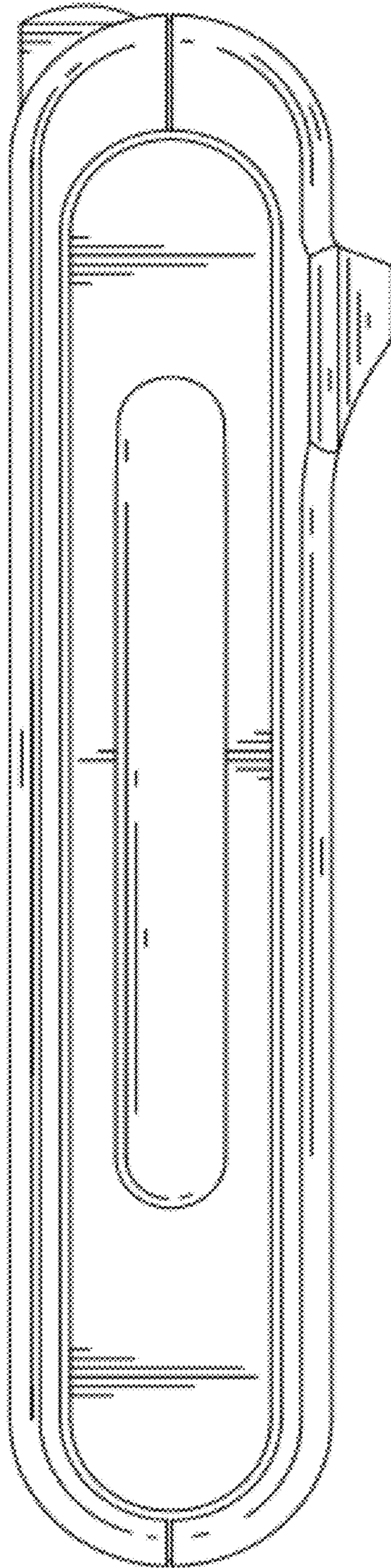


FIG. 4

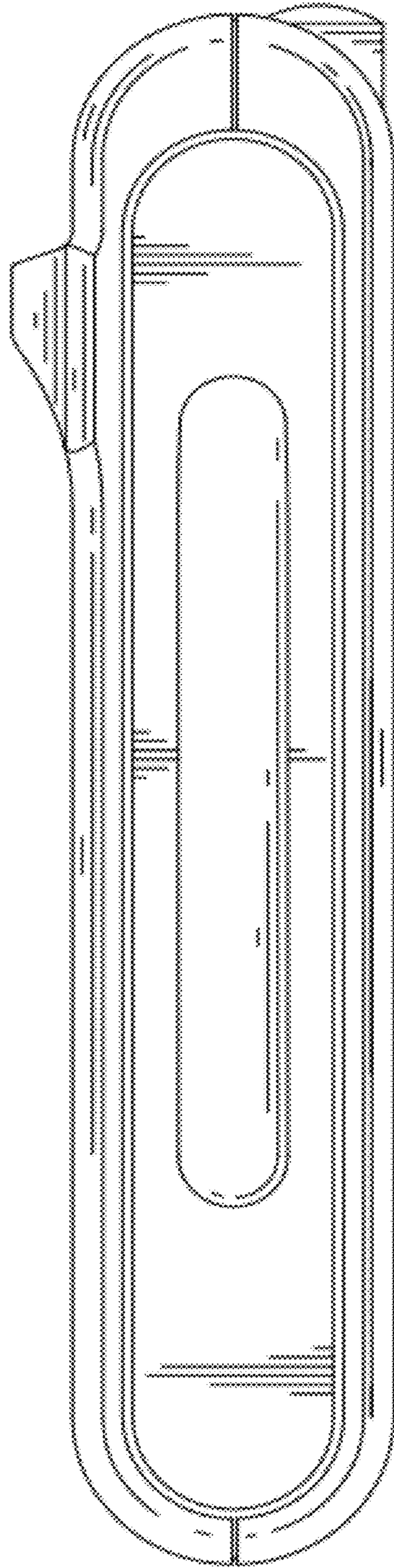


FIG. 5

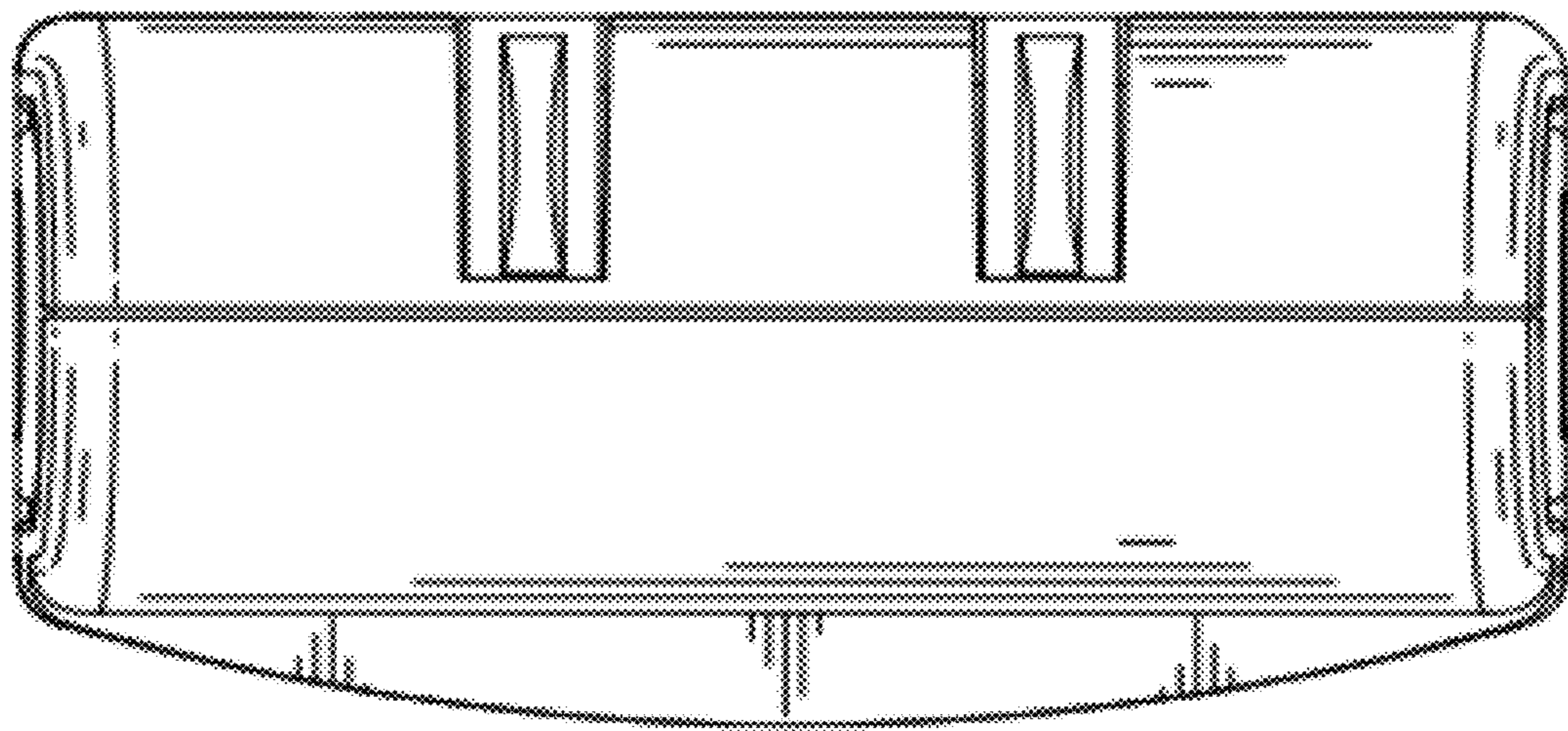


FIG. 6

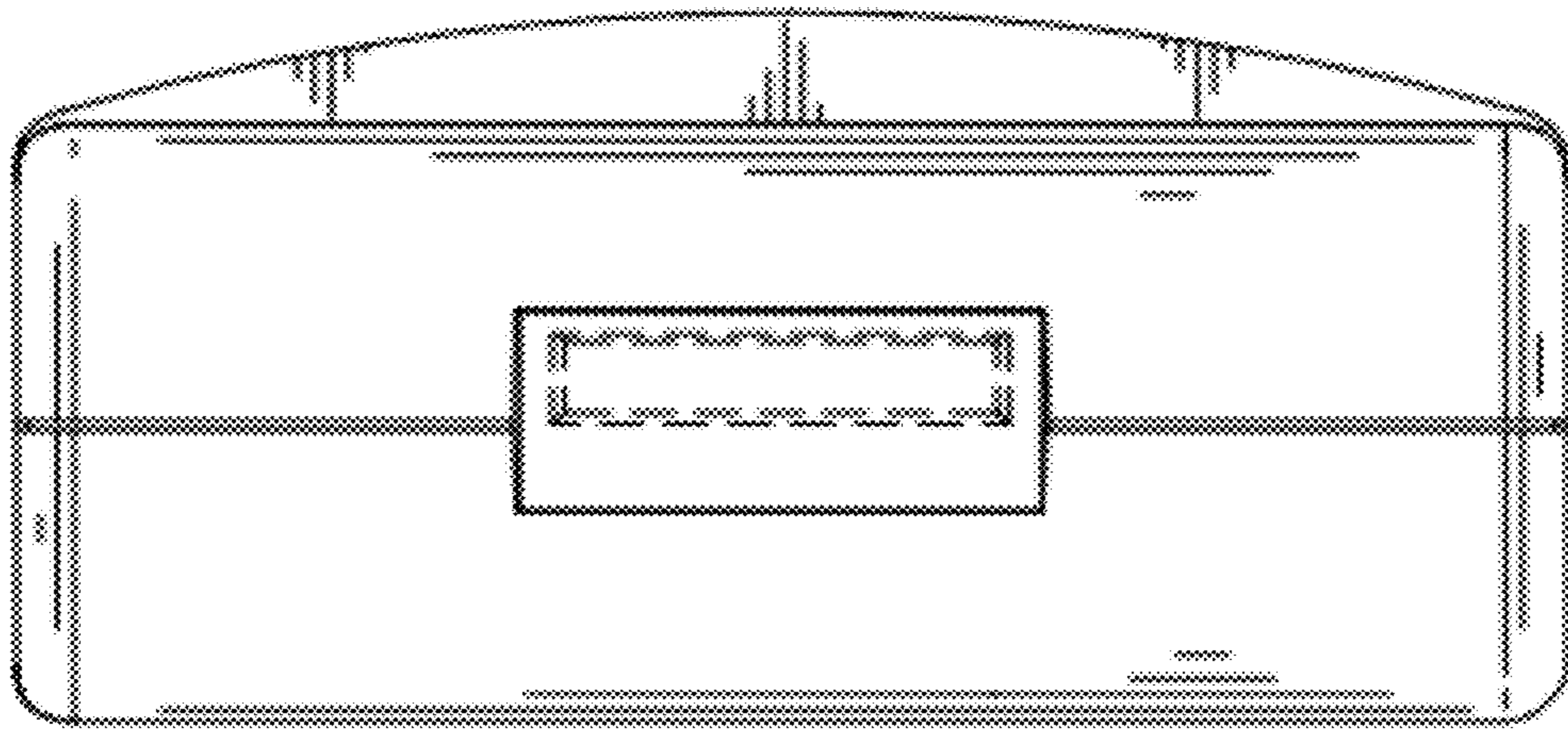


FIG. 7

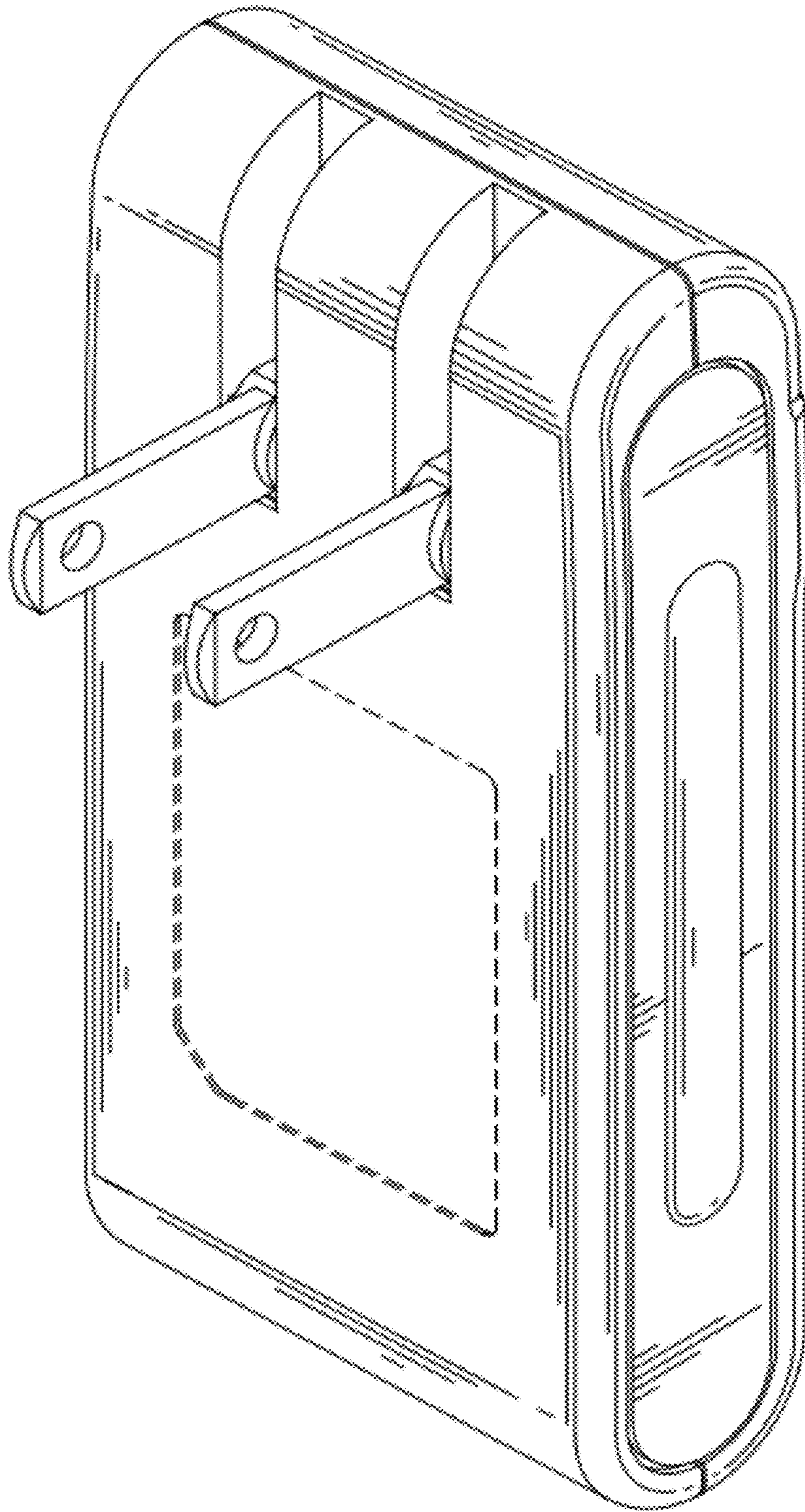


FIG. 8