



US00D652379S

(12) **United States Design Patent**
Vandiver

(10) **Patent No.:** **US D652,379 S**
(45) **Date of Patent:** **** Jan. 17, 2012**

(54) **PORTABLE ELECTRONIC DEVICE RECHARGER**

Primary Examiner — Rosemary K Tarcza
(74) *Attorney, Agent, or Firm* — Arent Fox LLP

(75) Inventor: **Jesse Vandiver**, Oxnard, CA (US)

(57) **CLAIM**

(73) Assignee: **Scosche Industries, Inc.**, Oxnard, CA (US)

The ornamental design for a portable electronic device recharger, as shown and described.

(**) Term: **14 Years**

(21) Appl. No.: **29/390,297**

DESCRIPTION

(22) Filed: **Apr. 22, 2011**

(51) **LOC (9) Cl.** **13-02**

(52) **U.S. Cl.** **D13/108**

(58) **Field of Classification Search** D13/107–110,
D13/118–119, 184, 199; D14/251, 253,
D14/432, 434, 480.1, 480.3, 480.6, 480.7;
320/107–115

See application file for complete search history.

FIG. 1 is a front perspective view of a portable electronic device recharger, according to one embodiment of the present invention;

FIG. 2 is a front view of the portable electronic device recharger illustrated in FIG. 1, according to one embodiment of the present invention;

FIG. 3 is a back view of the portable electronic device recharger illustrated in FIG. 1, according to one embodiment of the present invention;

FIG. 4 is a top view of the portable electronic device recharger illustrated in FIG. 1, according to one embodiment of the present invention;

FIG. 5 is a bottom view of the portable electronic device recharger illustrated in FIG. 1, according to one embodiment of the present invention;

FIG. 6 is a right hand view of the portable electronic device recharger illustrated in FIG. 1, according to one embodiment of the present invention;

FIG. 7 is a left hand view of the portable electronic device recharger illustrated in FIG. 1, according to one embodiment of the present invention;

FIG. 8 is a back perspective view of the portable electronic device recharger illustrated in FIG. 1, according to one embodiment of the present invention; and,

FIG. 9 is another back perspective view of the portable electronic device recharger, according to a second embodiment of the present invention.

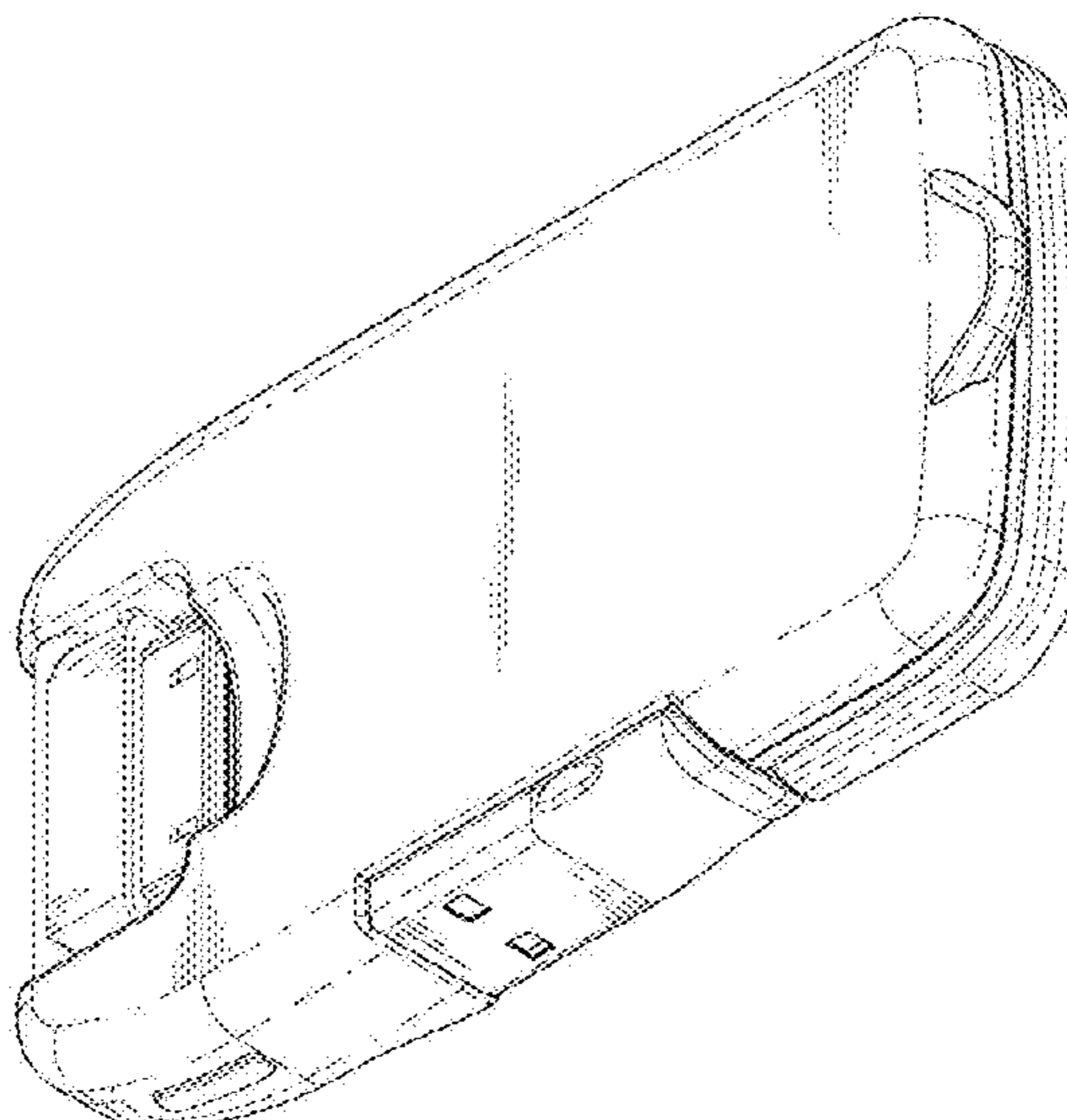
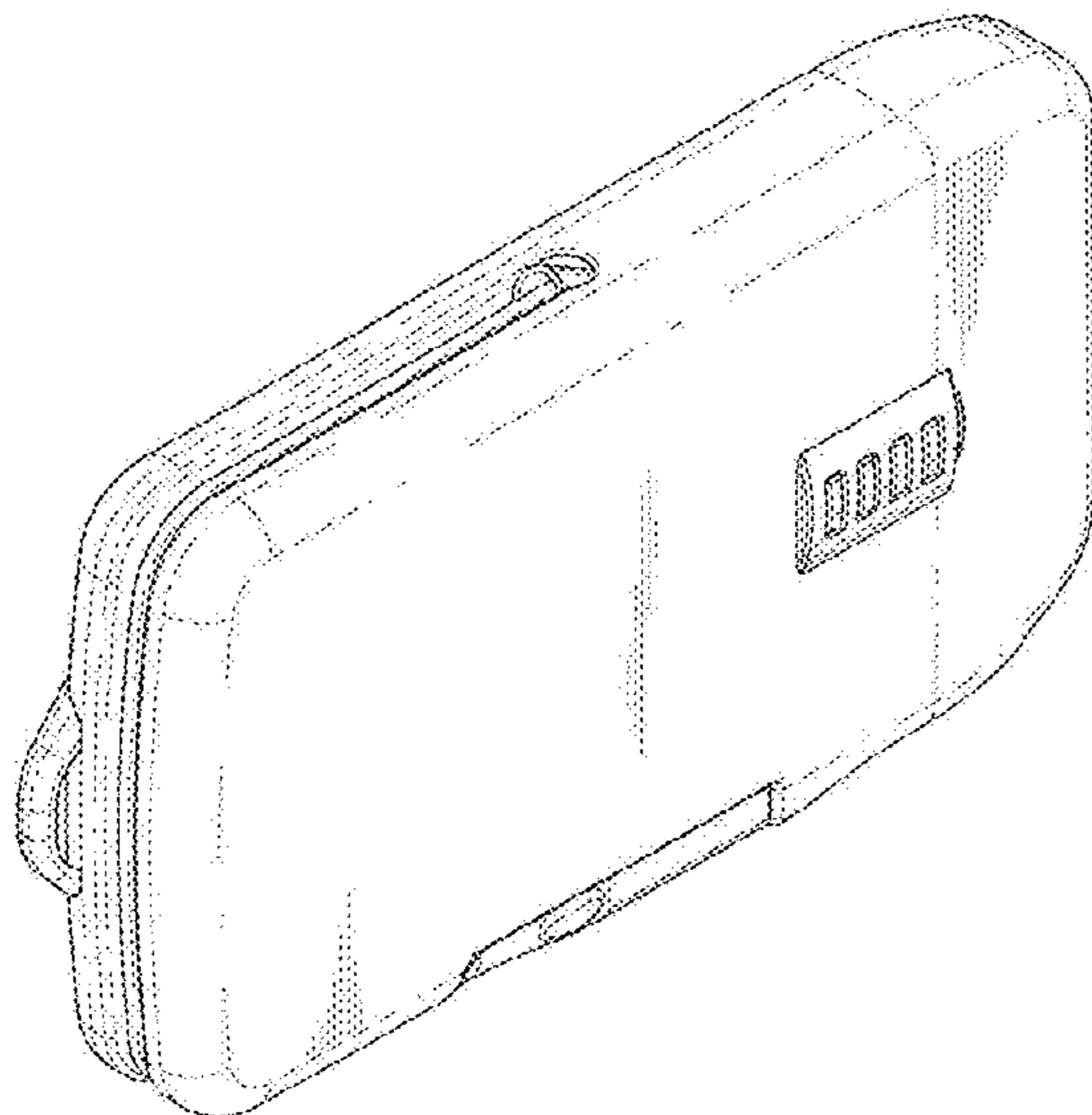
(56) **References Cited**

U.S. PATENT DOCUMENTS

5,859,523	A *	1/1999	Nierescher et al.	320/111
D514,103	S *	1/2006	Huang et al.	D14/480.6
D552,592	S *	10/2007	Deguchi	D14/480.7
D580,354	S *	11/2008	Dunbar et al.	D13/108
D600,693	S *	9/2009	Maiers et al.	D14/480.6
7,746,029	B2 *	6/2010	Toya	320/107
D619,999	S *	7/2010	Wu et al.	D14/240
D624,747	S *	10/2010	McSweyn	D3/208
D628,153	S *	11/2010	Fujii et al.	D13/108
D628,535	S *	12/2010	Cheng	D13/108
7,868,589	B2 *	1/2011	McSweyn et al.	320/114
D632,648	S *	2/2011	Yang	D13/108
D637,587	S *	5/2011	Pan	D14/242
D639,789	S *	6/2011	Kim et al.	D14/242
D639,790	S *	6/2011	Kim	D14/242
D641,695	S *	7/2011	Wegener et al.	D13/108
D645,049	S *	9/2011	Faranda et al.	D14/480.5
D645,050	S *	9/2011	Faranda et al.	D14/480.5

* cited by examiner

1 Claim, 7 Drawing Sheets



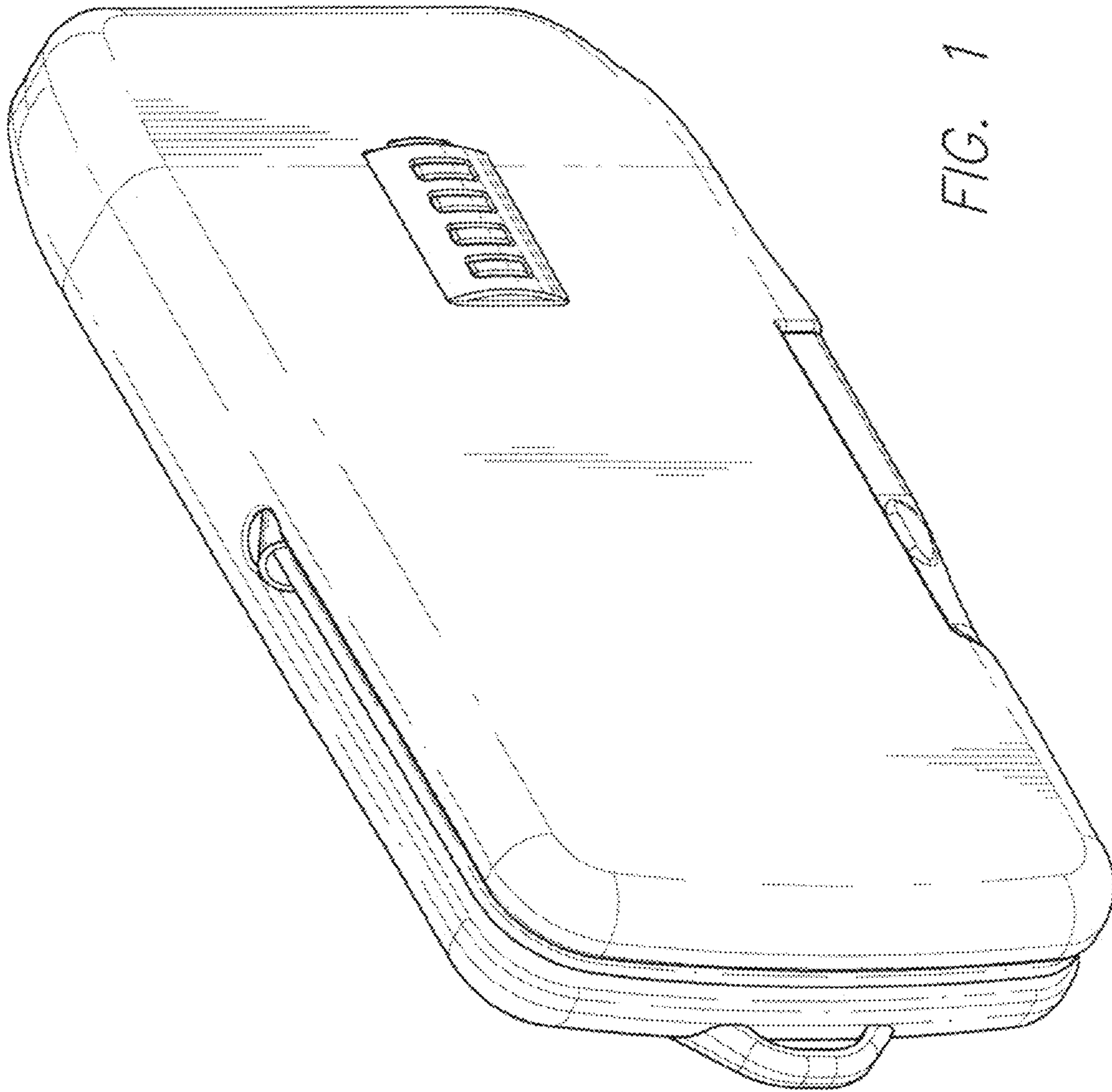


FIG. 1

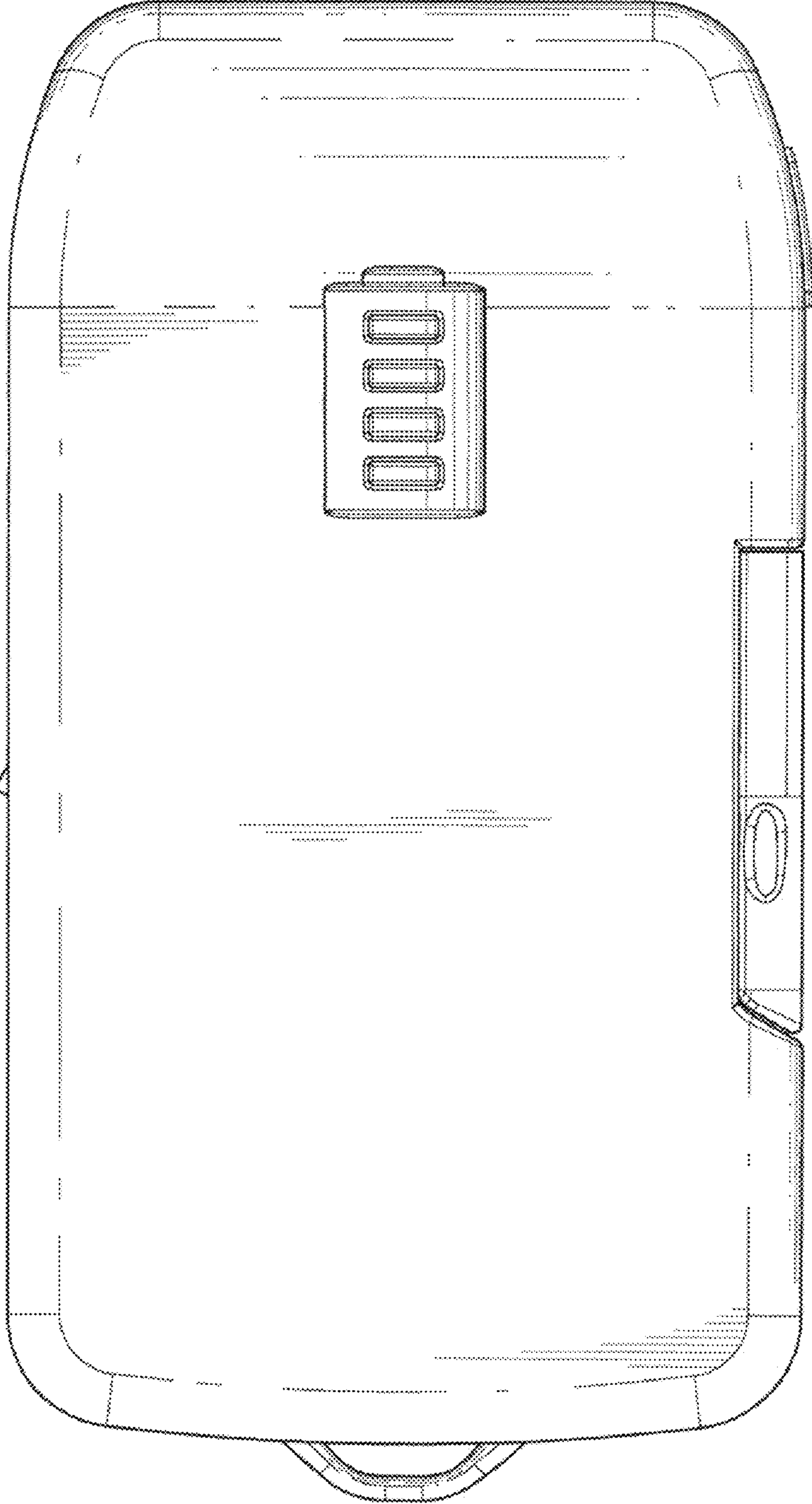


FIG. 2

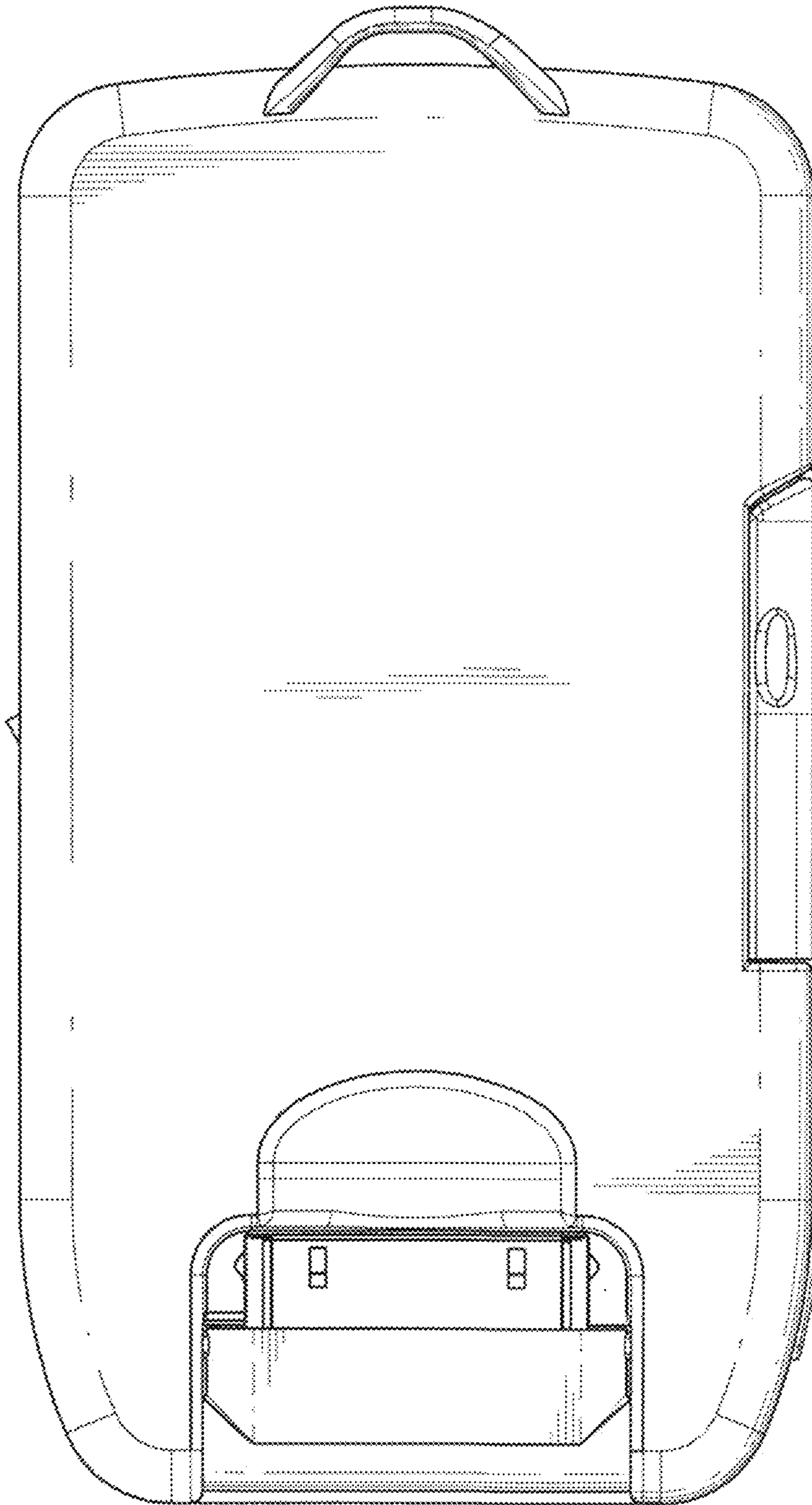


FIG. 3

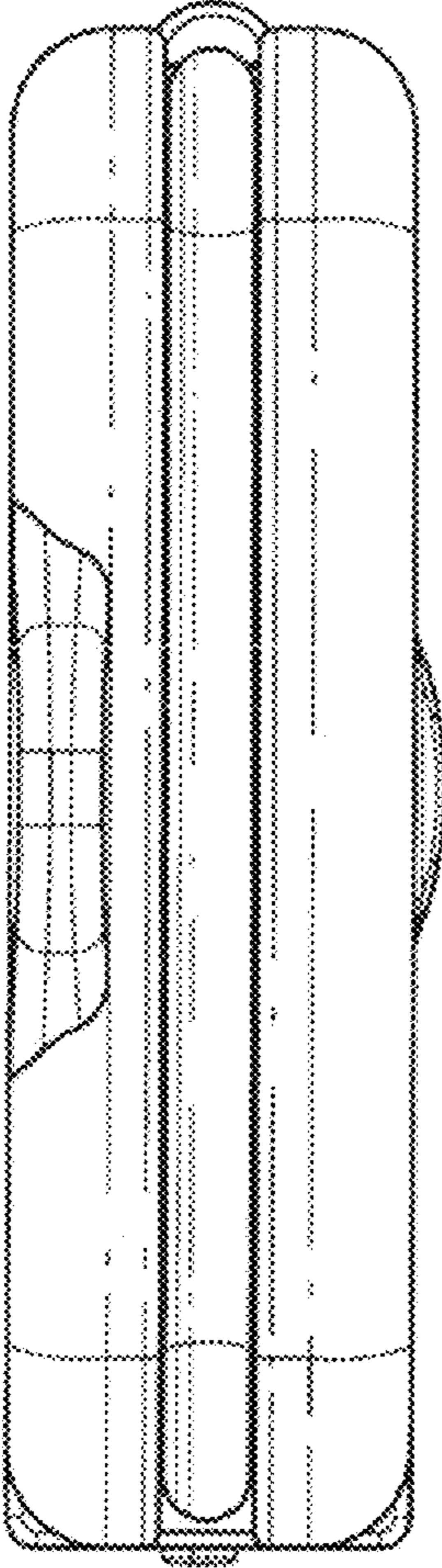


FIG. 4

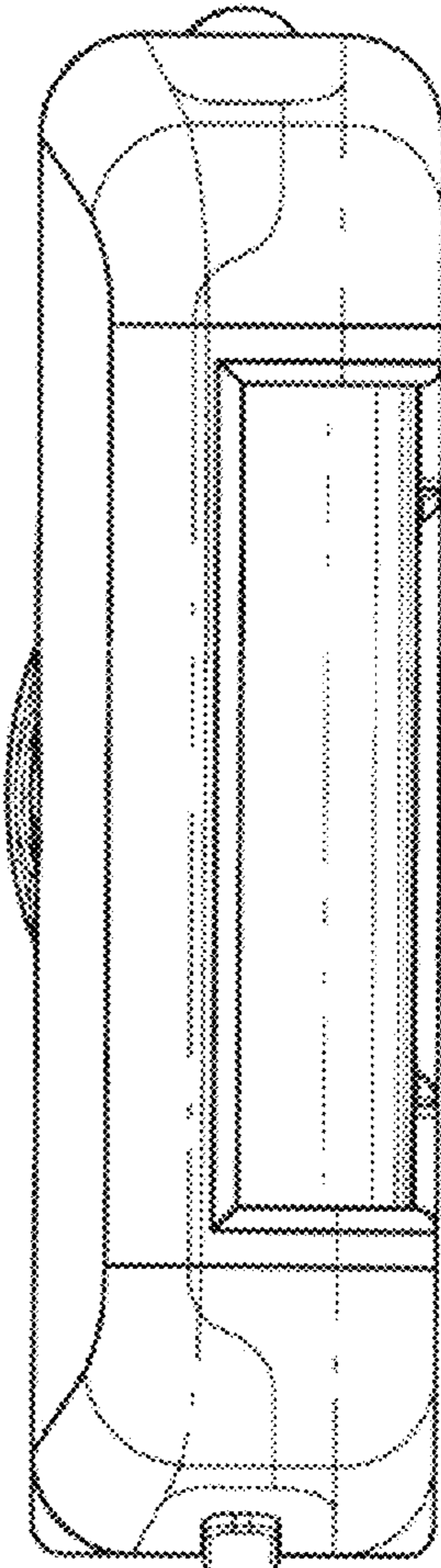


FIG. 5

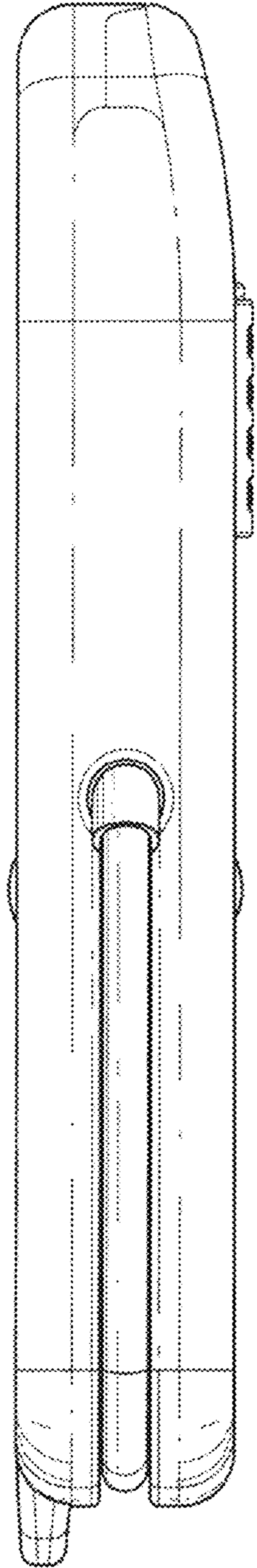


FIG. 6

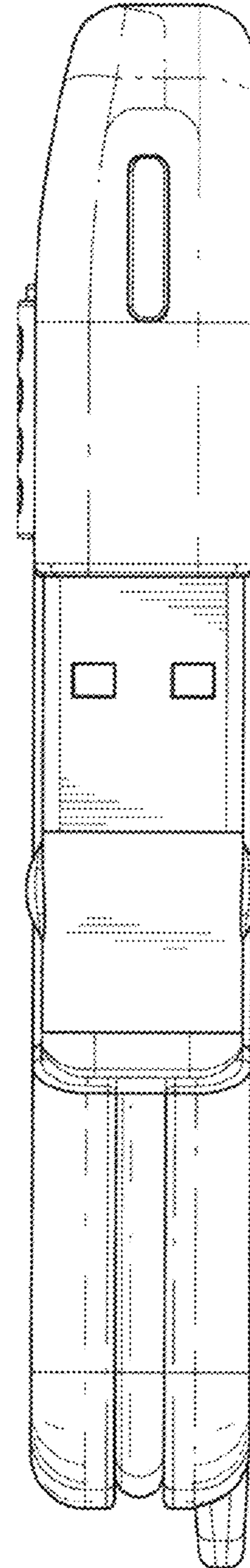


FIG. 7

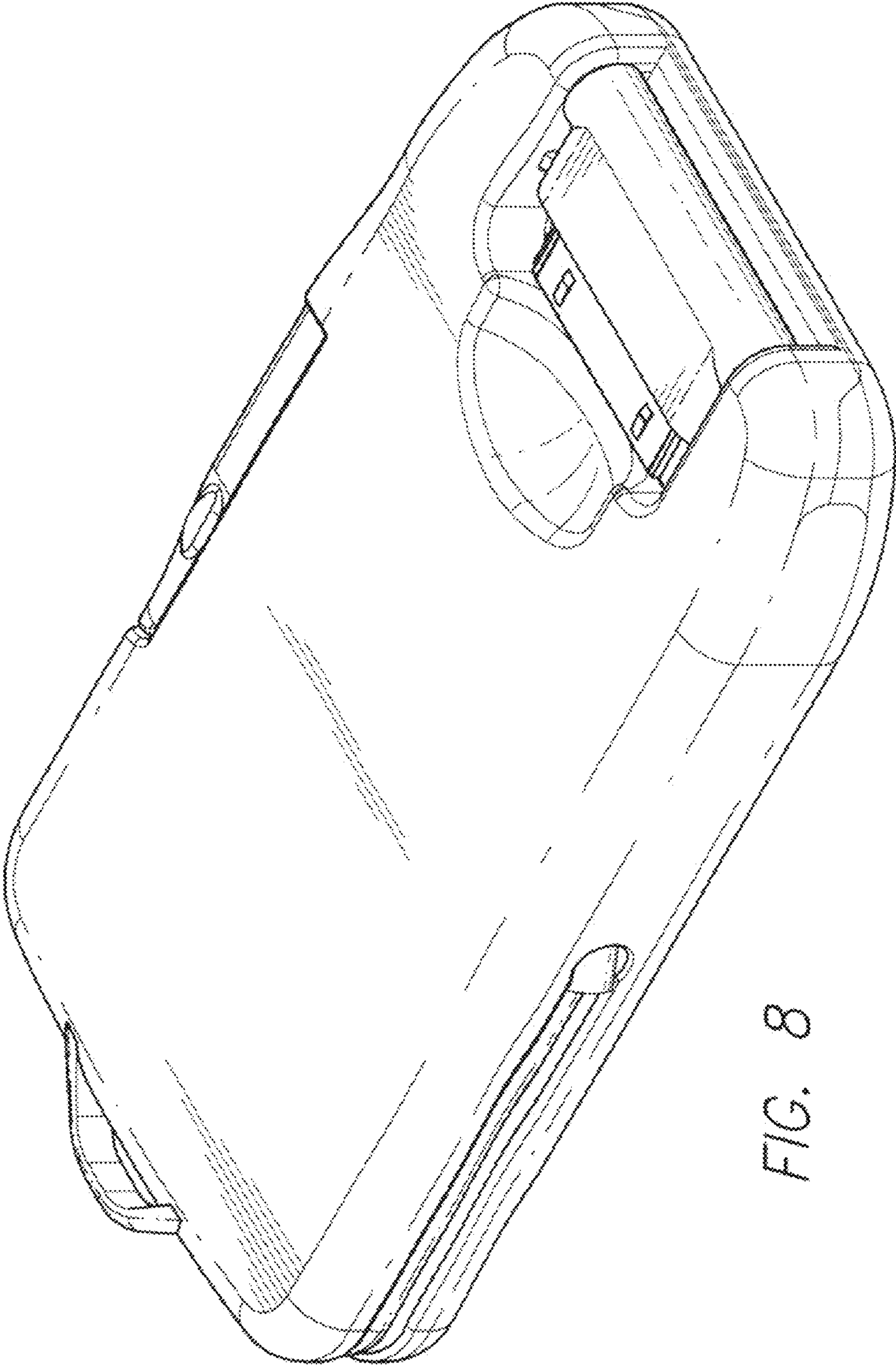


FIG. 8

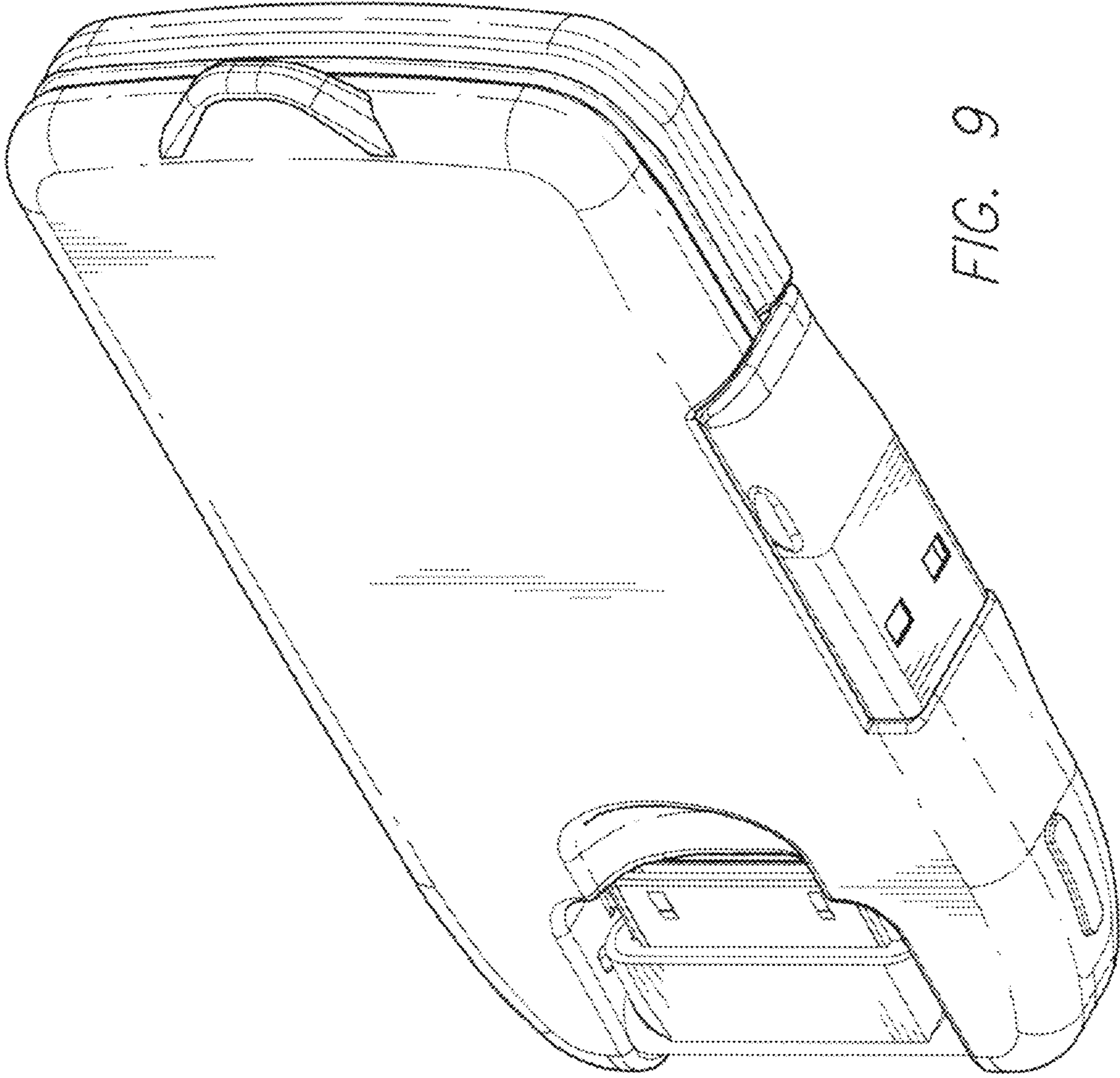


FIG. 9