



US00D652378S

(12) **United States Design Patent**
Liao

(10) **Patent No.:** **US D652,378 S**
(45) **Date of Patent:** **** Jan. 17, 2012**

(54) **FOLDABLE BATTERY DOCK**

(76) Inventor: **ZhuoWen Liao**, Shenzhen (CN)

(**) Term: **14 Years**

(21) Appl. No.: **29/384,198**

(22) Filed: **Jan. 28, 2011**

(51) **LOC (9) Cl.** **13-02**

(52) **U.S. Cl.** **D13/108**

(58) **Field of Classification Search** D13/107-110,
D13/118-119, 184, 199; D14/251, 253,
D14/432, 434; 320/107-115
See application file for complete search history.

(56) **References Cited**

U.S. PATENT DOCUMENTS

D412,487 S *	8/1999	Nagele et al.	D13/108
D606,545 S *	12/2009	Salmon	D14/434
D607,817 S *	1/2010	Tan	D13/108
D608,351 S *	1/2010	Song	D14/217
D631,838 S *	2/2011	Cheng	D13/108
D632,648 S *	2/2011	Yang	D13/108
D637,952 S *	5/2011	Tan	D13/108
D639,810 S *	6/2011	Hwang et al.	D14/434

D639,811 S *	6/2011	Hwang et al.	D14/434
2009/0051319 A1 *	2/2009	Fang et al.	320/115
2010/0315041 A1 *	12/2010	Tan	320/115

* cited by examiner

Primary Examiner — Rosemary K Tarcza

(74) *Attorney, Agent, or Firm* — Roger H. Chu

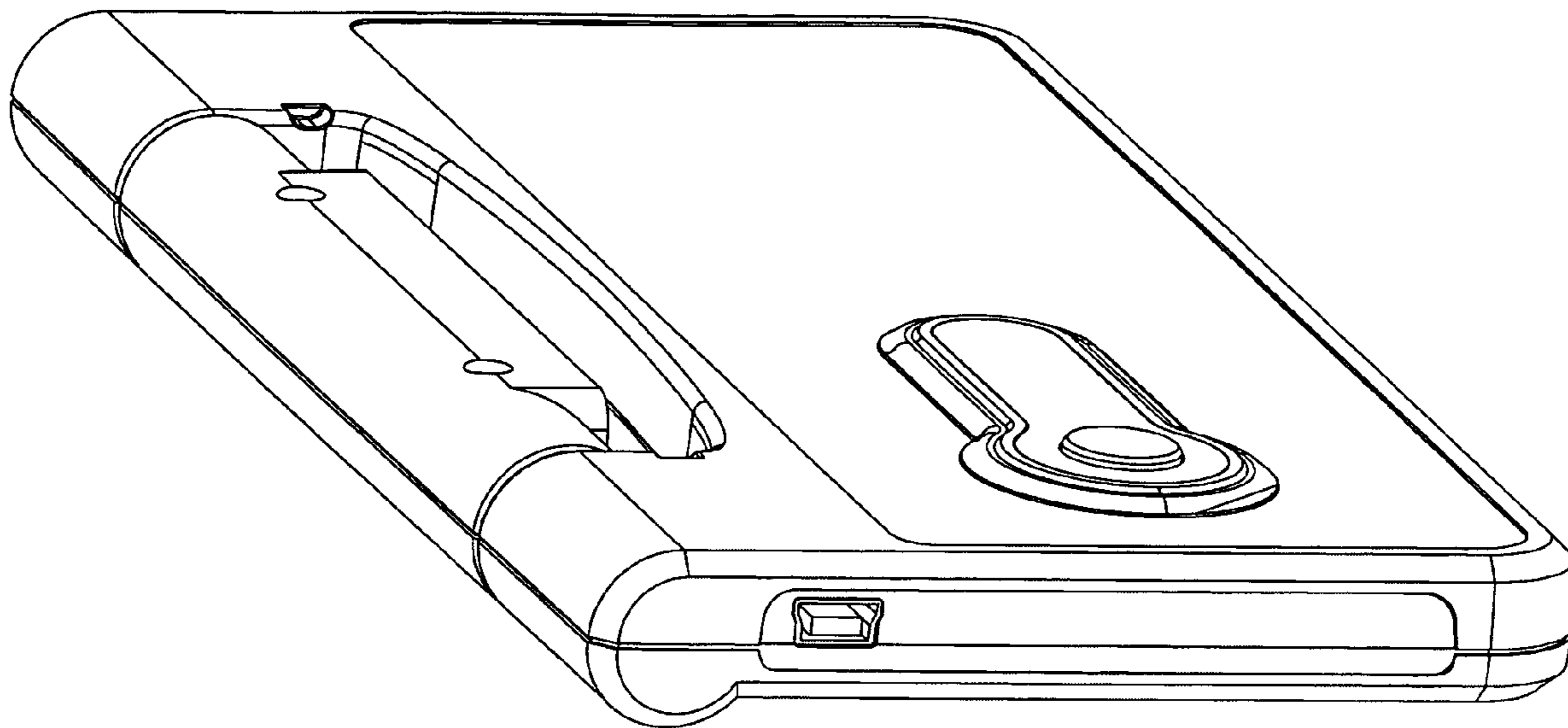
(57) **CLAIM**

The ornamental design for a foldable battery dock, as shown and described.

DESCRIPTION

FIG. 1 is a top front right perspective view of a Foldable Battery Dock showing my design;
 FIG. 2 is a bottom rear right perspective view thereof;
 FIG. 3 is a top front right perspective view thereof with the foldable panel in a fold-up position;
 FIG. 4 is a top rear left perspective view thereof with the foldable panel in a fold-up position;
 FIG. 5 is a top view thereof
 FIG. 6 is a bottom view thereof;
 FIG. 7 is a left side view thereof;
 FIG. 8 is a right side view thereof;
 FIG. 9 is a front view thereof; and,
 FIG. 10 is a rear view thereof.

1 Claim, 10 Drawing Sheets



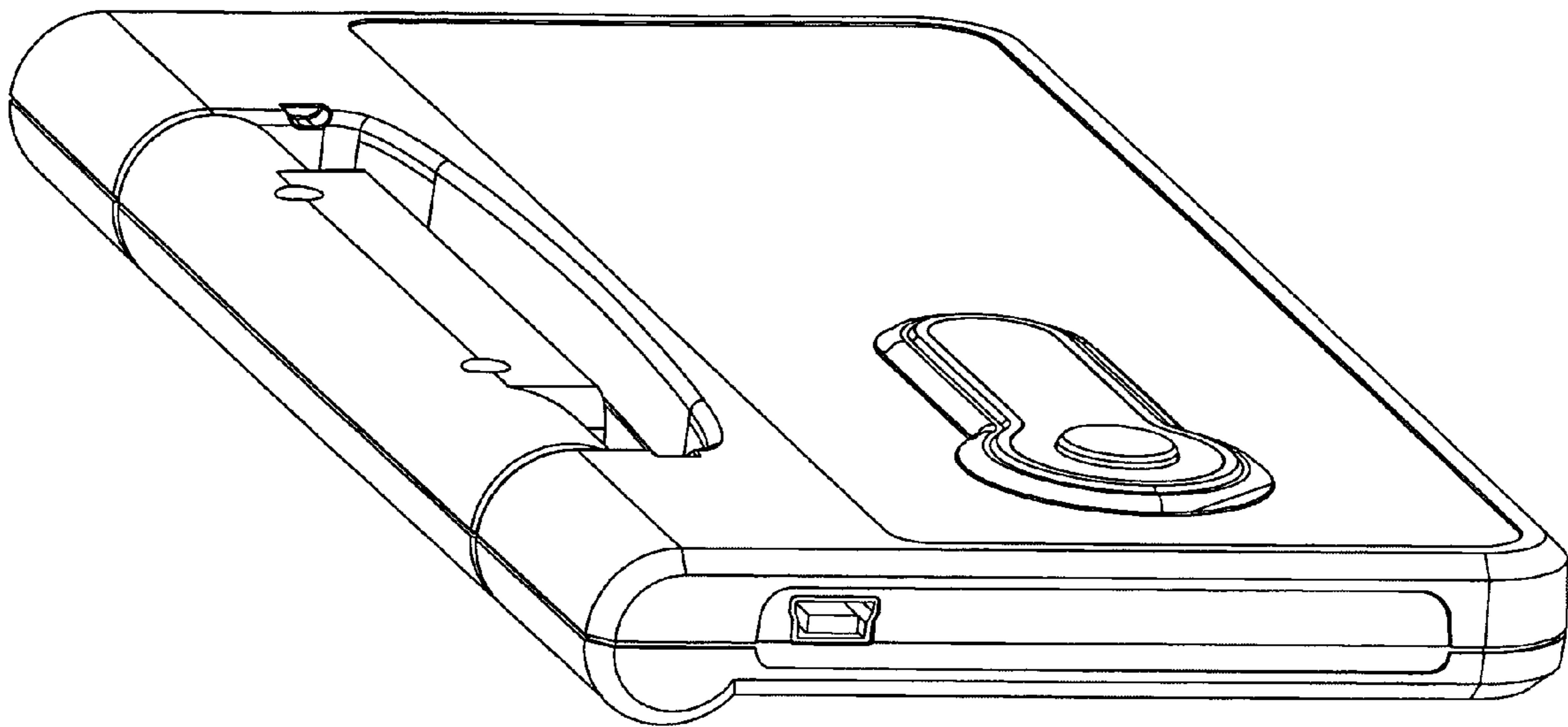


FIG. 1

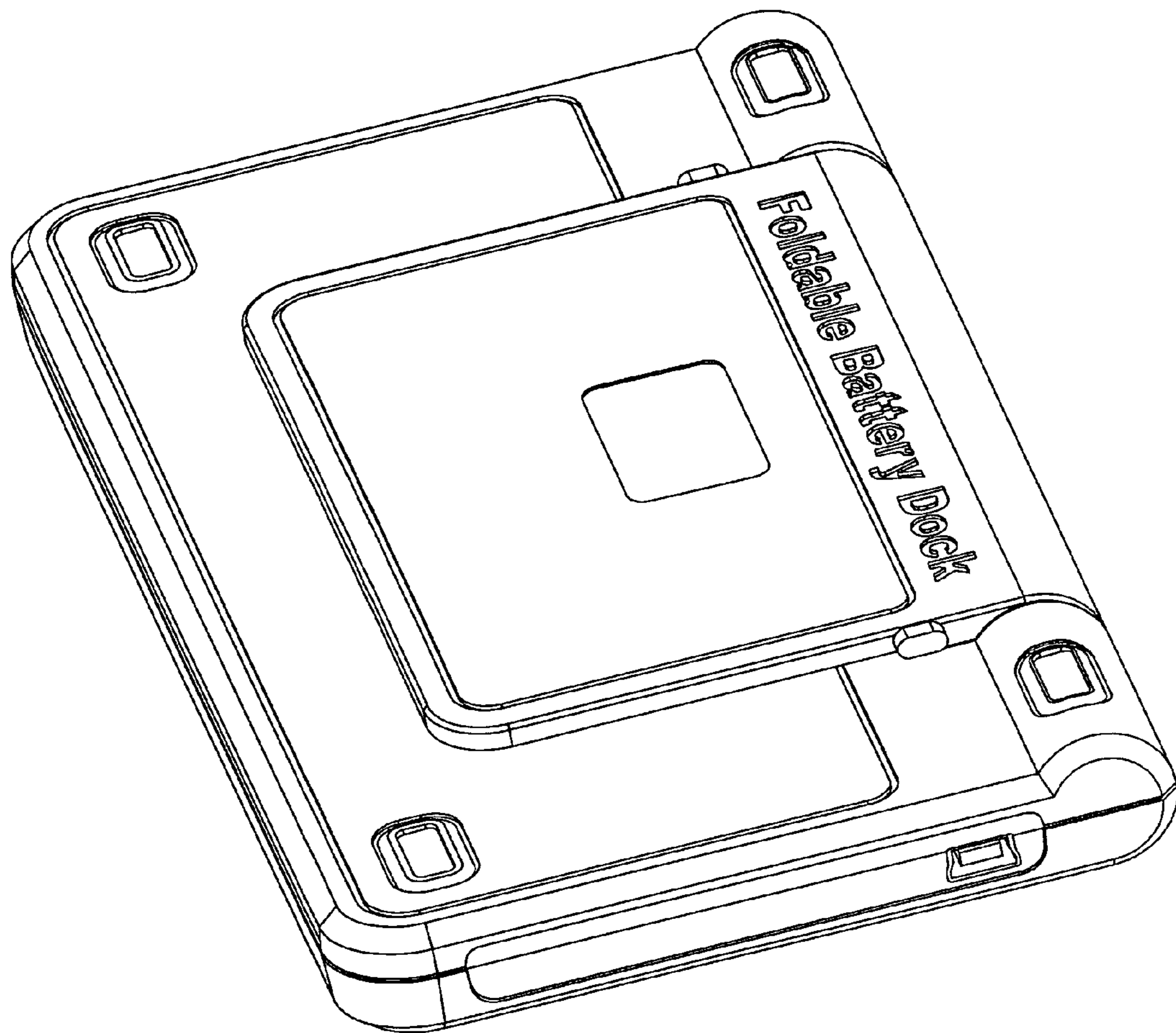


FIG. 2

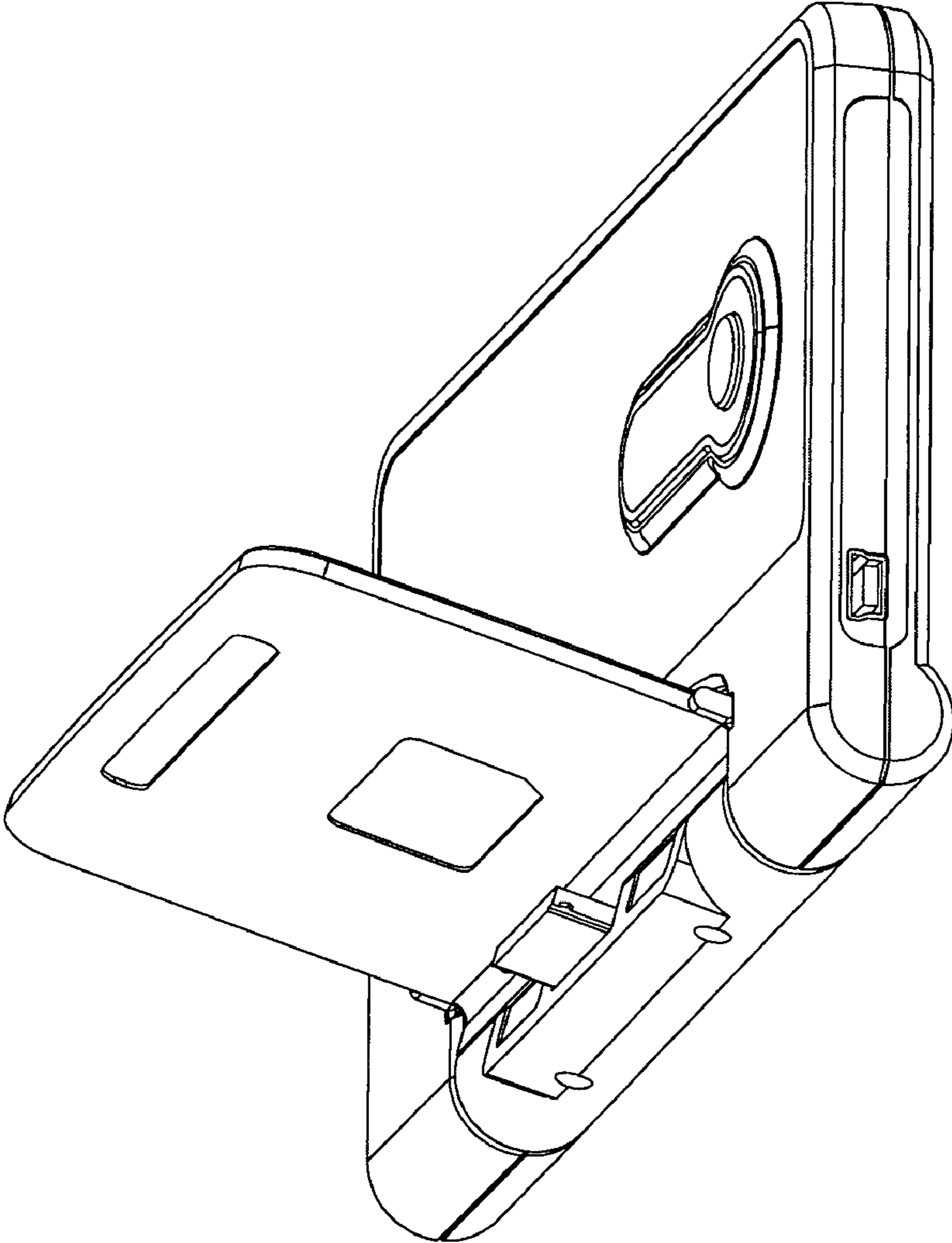


FIG. 3

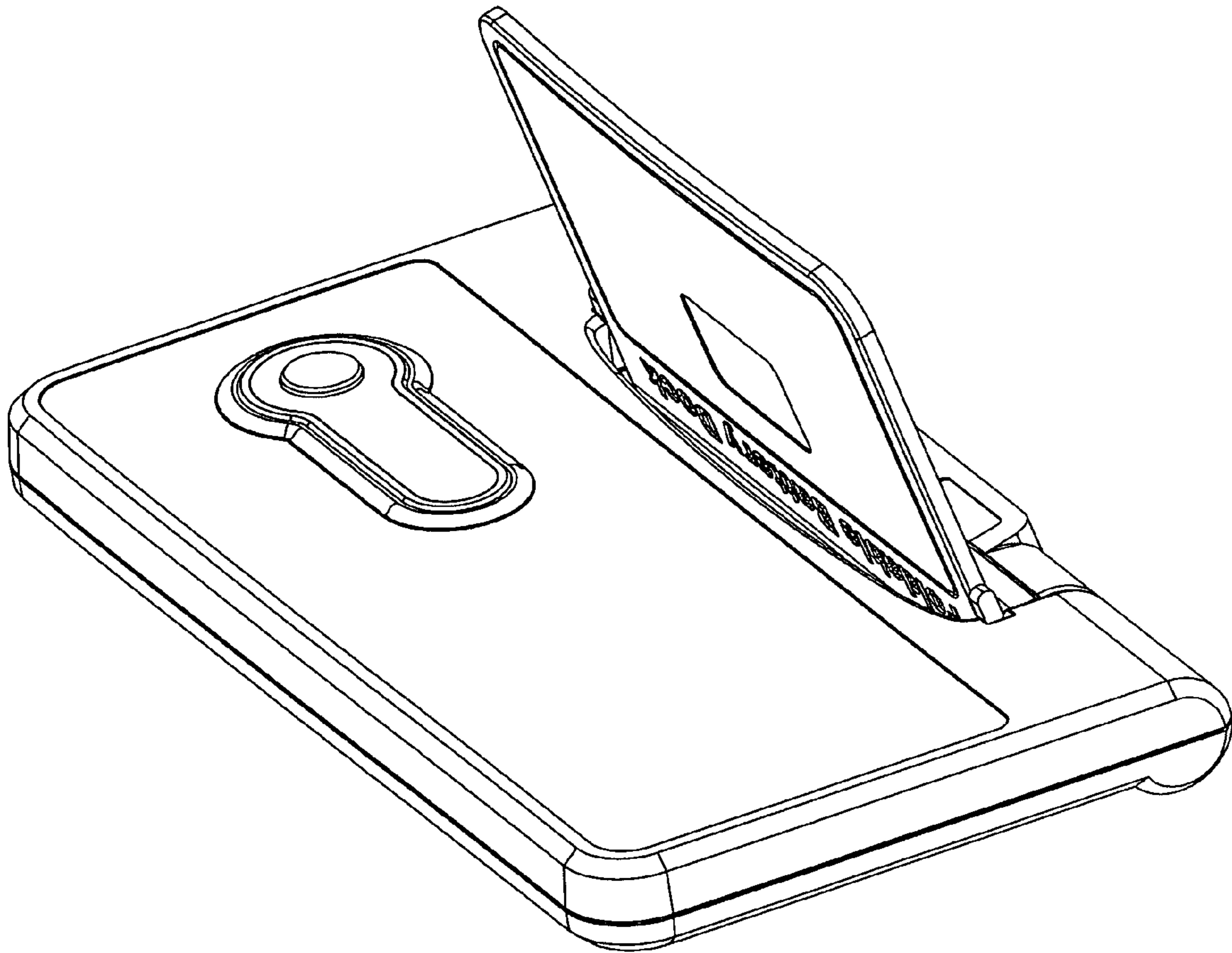


FIG. 4

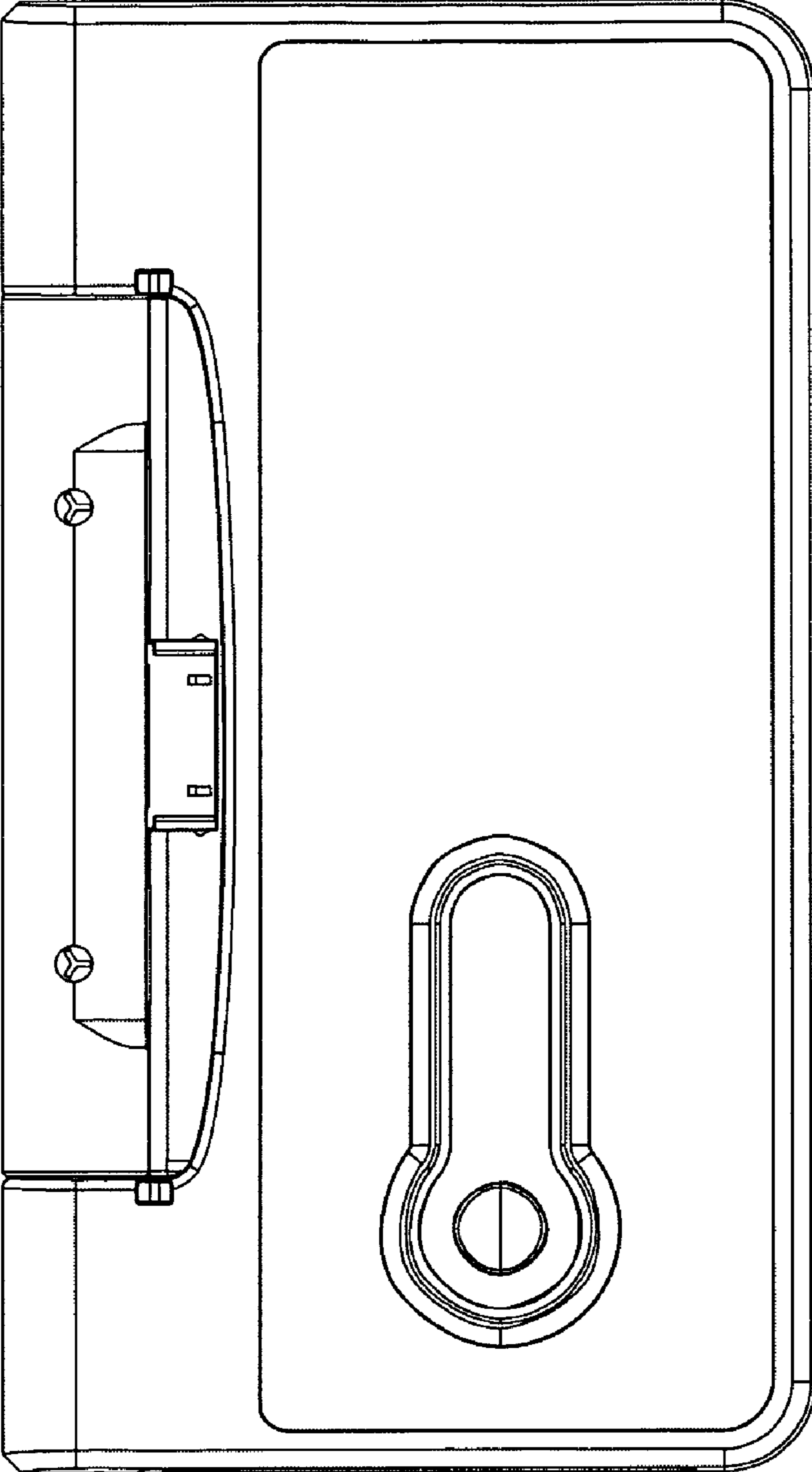


FIG. 5

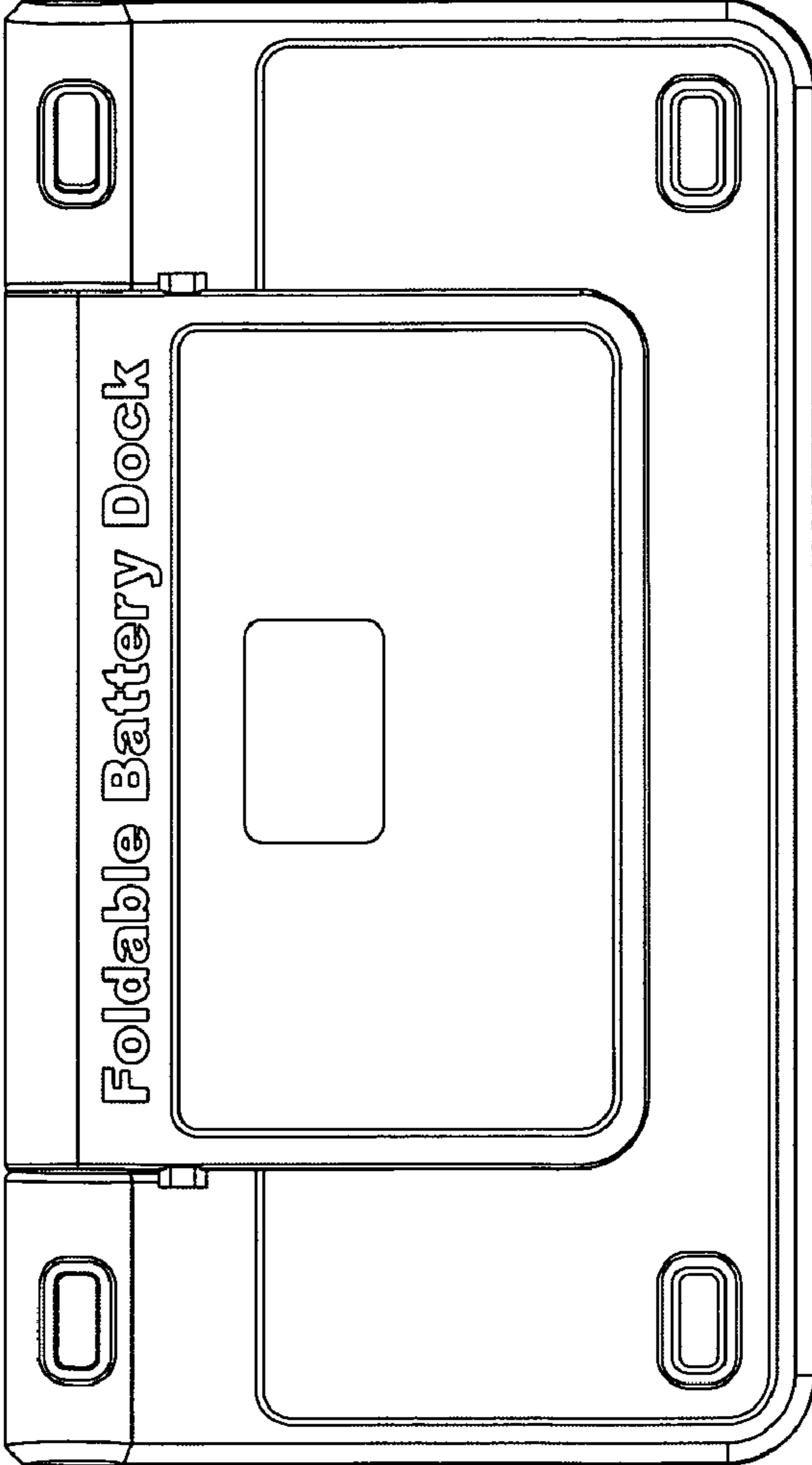


FIG. 6

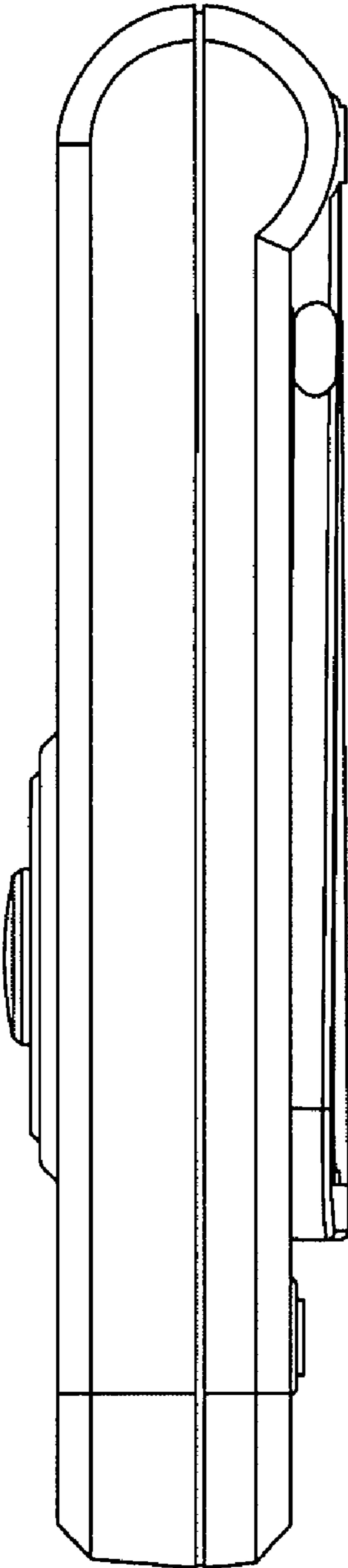


FIG. 7

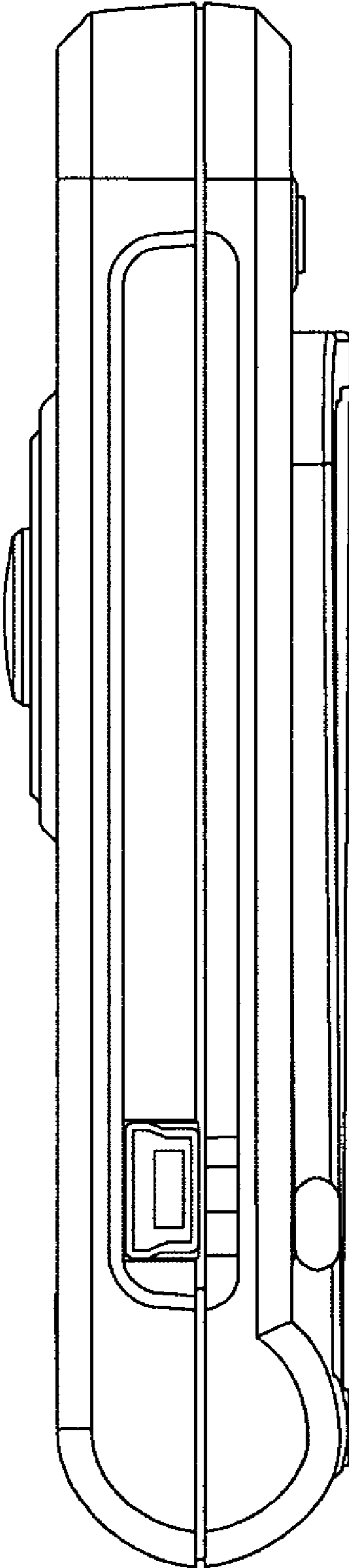


FIG. 8

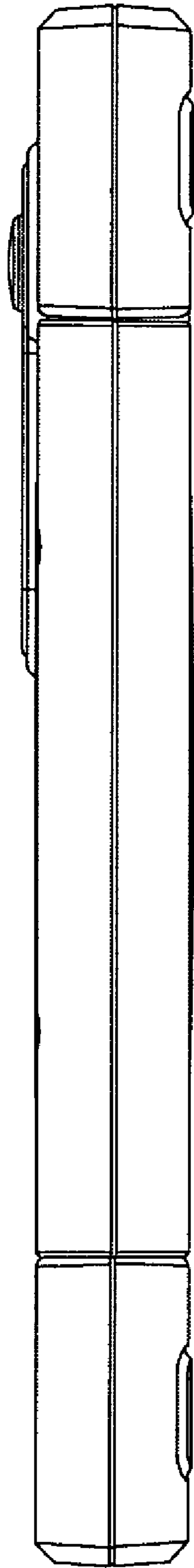


FIG. 9

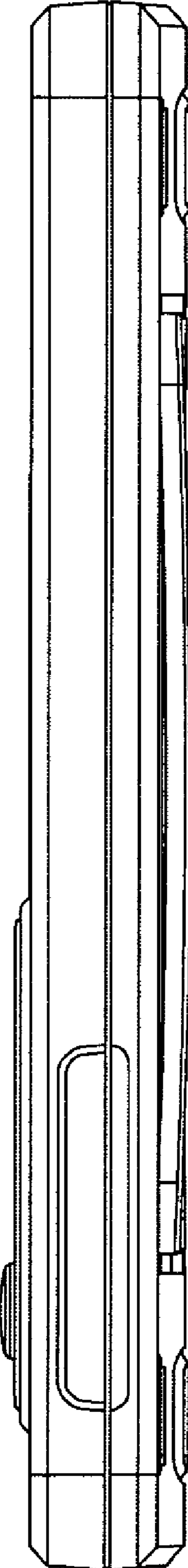


FIG. 10