



US00D652377S

(12) **United States Design Patent**
Butts et al.

(10) **Patent No.:** **US D652,377 S**
(45) **Date of Patent:** **** Jan. 17, 2012**

(54) **BATTERY CHARGER COMBINATION**

(75) Inventors: **Mark Butts**, Akron, OH (US); **Jack W. Gee, II**, Willoughby, OH (US); **Jamie Horvath**, Lakewood, OH (US); **Doug Rukavina**, Massillon, OH (US)

(73) Assignee: **Techtronic Floor Care Technology Limited**, Tortola (VG)

(**) Term: **14 Years**

(21) Appl. No.: **29/326,368**

(22) Filed: **Oct. 16, 2008**

(51) **LOC (9) Cl.** **13-02**

(52) **U.S. Cl.** **D13/107; D13/103**

(58) **Field of Classification Search** D13/102-110,
D13/118-121, 184, 199; D14/251, 253,
D14/432, 434; 320/107-115; 429/96-100,
429/165, 176

See application file for complete search history.

(56) **References Cited**

U.S. PATENT DOCUMENTS

4,225,814	A	9/1980	Gantz et al.	
4,644,606	A	2/1987	Luerken et al.	
4,670,701	A	6/1987	Sako et al.	
4,841,594	A	6/1989	Elson et al.	
4,920,606	A	5/1990	Gerke et al.	
4,928,346	A	5/1990	Elson et al.	
4,942,641	A	7/1990	Gerke, Jr. et al.	
5,605,953	A	2/1997	Esser	
D411,165	S *	6/1999	Deslyper et al.	D13/103
D414,158	S *	9/1999	Frye et al.	D13/103
5,966,774	A	10/1999	Bone et al.	
D438,170	S *	2/2001	Hofbauer	D13/107
6,311,366	B1	11/2001	Sepke et al.	
6,497,001	B2	12/2002	Di Nunzio et al.	
6,614,206	B1	9/2003	Wong et al.	
D495,336	S *	8/2004	Andre et al.	D14/434
6,839,934	B2	1/2005	Houghton et al.	
D508,018	S *	8/2005	Yokota	D13/103
D510,091	S *	9/2005	Mori et al.	D14/434
D530,717	S *	10/2006	Mori et al.	D14/434
D532,005	S *	11/2006	Leith	D14/253
D536,300	S *	2/2007	Kang et al.	D13/107

D554,115	S *	10/2007	Liu et al.	D14/253
7,386,916	B2	6/2008	Bone	
7,412,749	B2	8/2008	Thomas et al.	
D586,740	S *	2/2009	Song	D13/103
D589,876	S *	4/2009	Hong et al.	D13/108
D590,336	S *	4/2009	Tatehata et al.	D13/103
D590,770	S *	4/2009	Moss	D13/108
D593,940	S *	6/2009	Nomi et al.	D13/103
2003/0129487	A1 *	7/2003	Inoue et al.	429/176
2005/0011038	A1	1/2005	Coburn	
2009/0276974	A1	11/2009	Khalil et al.	

OTHER PUBLICATIONS

PCT/US2009/037314 International Search Report and Written Opinion, 7 pages, May 8, 2009.

* cited by examiner

Primary Examiner — Rosemary K Tarcza

(74) *Attorney, Agent, or Firm* — Michael Best & Friedrich LLP

(57) **CLAIM**

The ornamental design for a battery charger combination, as shown and described.

DESCRIPTION

FIG. 1 is a perspective view of the battery of the battery charger combination, taken from one wide side and one narrow side and the top of the battery pack of the battery charger combination, with the battery pack of the battery charger combination shown separate from the charger of the battery charger combination for ease of illustration, showing our new design;

FIG. 2 is a perspective view thereof, taken of the same wide side and the other narrow side of the battery pack of the battery charger combination as shown in FIG. 1 and the bottom of the battery pack of the battery charger combination; FIG. 3 is an elevation view thereof, taken from the other wide side from that shown in FIG. 1;

FIG. 4 is an elevation view thereof, taken from the narrow side shown in FIG. 1;

FIG. 5 is an elevation view thereof, taken from the other side thereof opposite the side shown in FIG. 3;

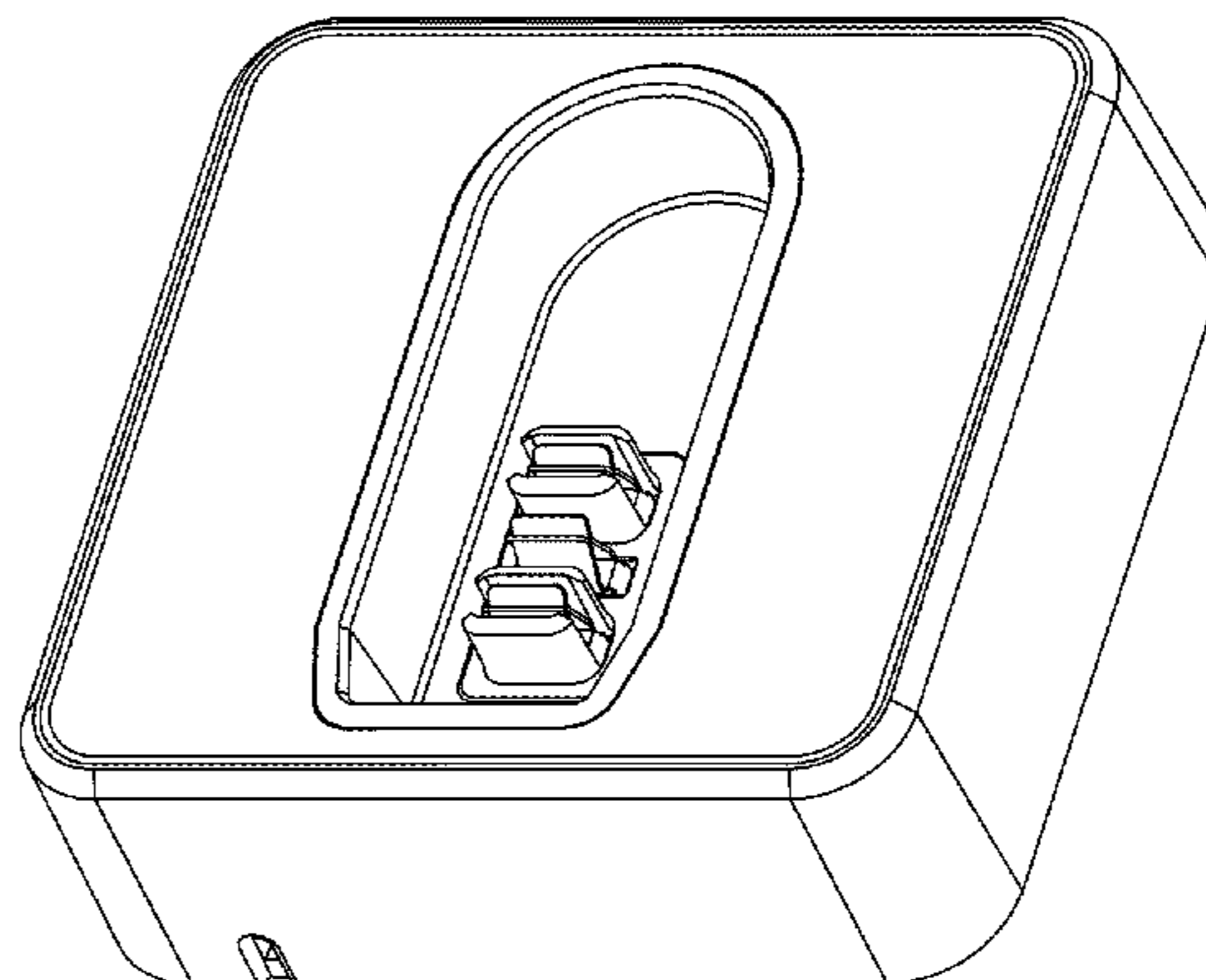
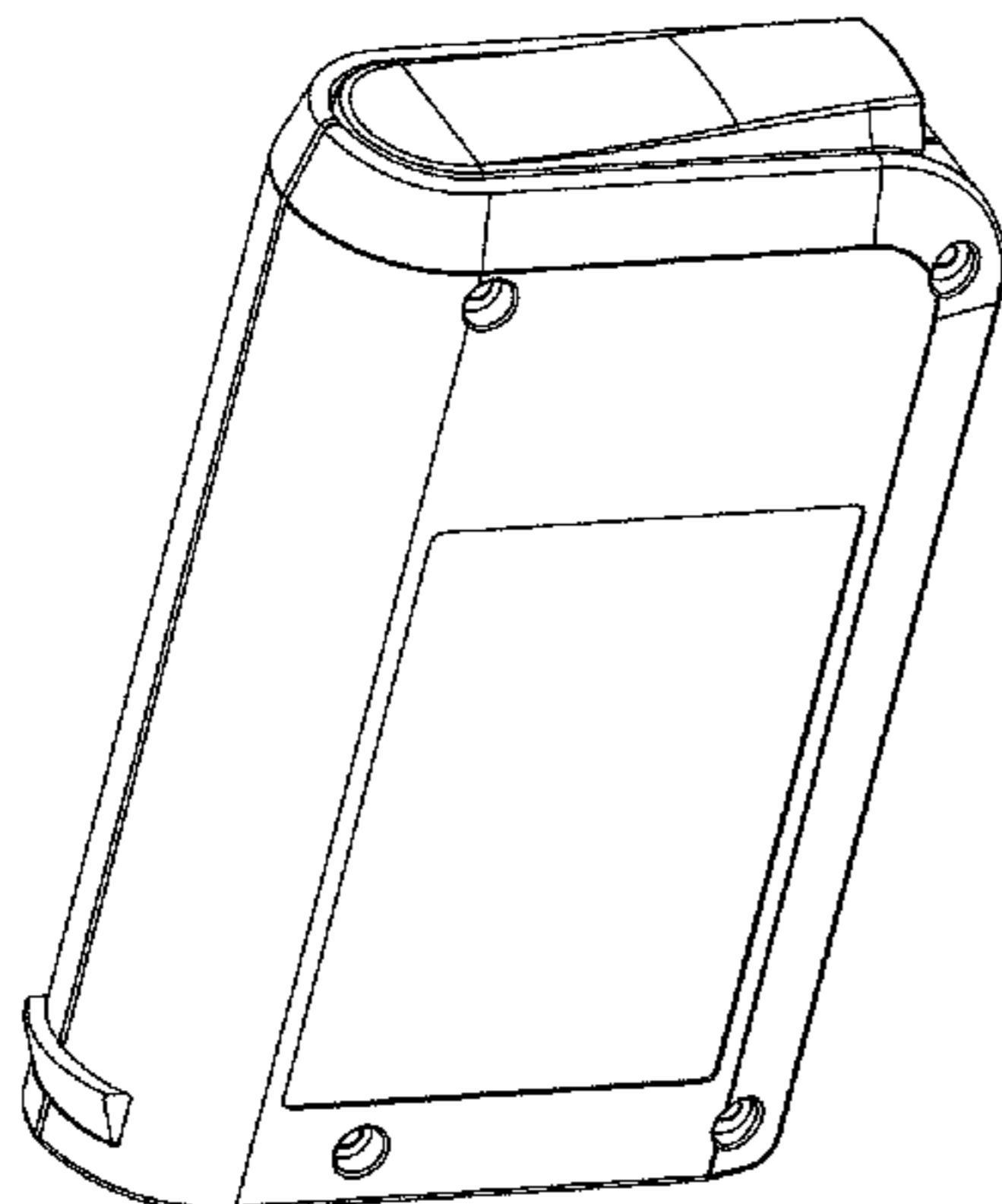


FIG. 6 is an elevation view thereof, taken from the other narrow side, opposite the narrow side shown in FIG. 4;
FIG. 7 is a top plan view thereof;
FIG. 8 is a bottom plan view thereof;
FIG. 9 is a perspective view of the top and two sides of the charger of the battery charger combination, shown separate from the battery of the battery charger combination for ease of illustration, showing our design;
FIG. 10 is a top plan view thereof;
FIG. 11 is a bottom plan view thereof;
FIG. 12 is an elevation view of a first side thereof, where the side of the charger of the battery charger combination is standing on its side;
FIG. 13 is an elevation view of a second side thereof, where the side of the charger of the battery charger combination is standing on its side;
FIG. 14 is an elevation view of a third side thereof, where the side of the charger of the battery charger combination is upside down;
FIG. 15 is an elevation view of a fourth side thereof, showing one of the sides shown in FIG. 9;
FIG. 16 is a perspective view of the battery charger combination, showing the battery pack inserted into the charger of

the battery charger combination, with the two adjoining sides and the top of the battery pack and two adjoining sides of our design;

FIG. 17 is a perspective view thereof, with two adjoining sides, opposite the wide and narrow sides, respectively, shown in FIG. 16, and the top of the battery pack of the battery charger combination and the two adjoining sides, opposite the wide and narrow sides, respectively shown in FIG. 16;

FIG. 18 is a perspective view thereof, with the battery pack of the battery charger combination showing two adjoining sides, one of which is the wide side as shown in FIG. 16 and the narrow side shown in FIG. 17, and the top of the battery pack of the battery charger combination, and similar adjoining sides of these same figures;

FIG. 19 is a perspective view thereof, with the battery pack of the battery charger combination showing two adjoining sides, one of which is the narrow side as shown in FIG. 16, and the wide side shown in FIG. 17, and the top of the battery pack of the battery charger combination, and similar adjoining sides of these same figures; and,

FIG. 20 is a top plan view thereof.

1 Claim, 7 Drawing Sheets

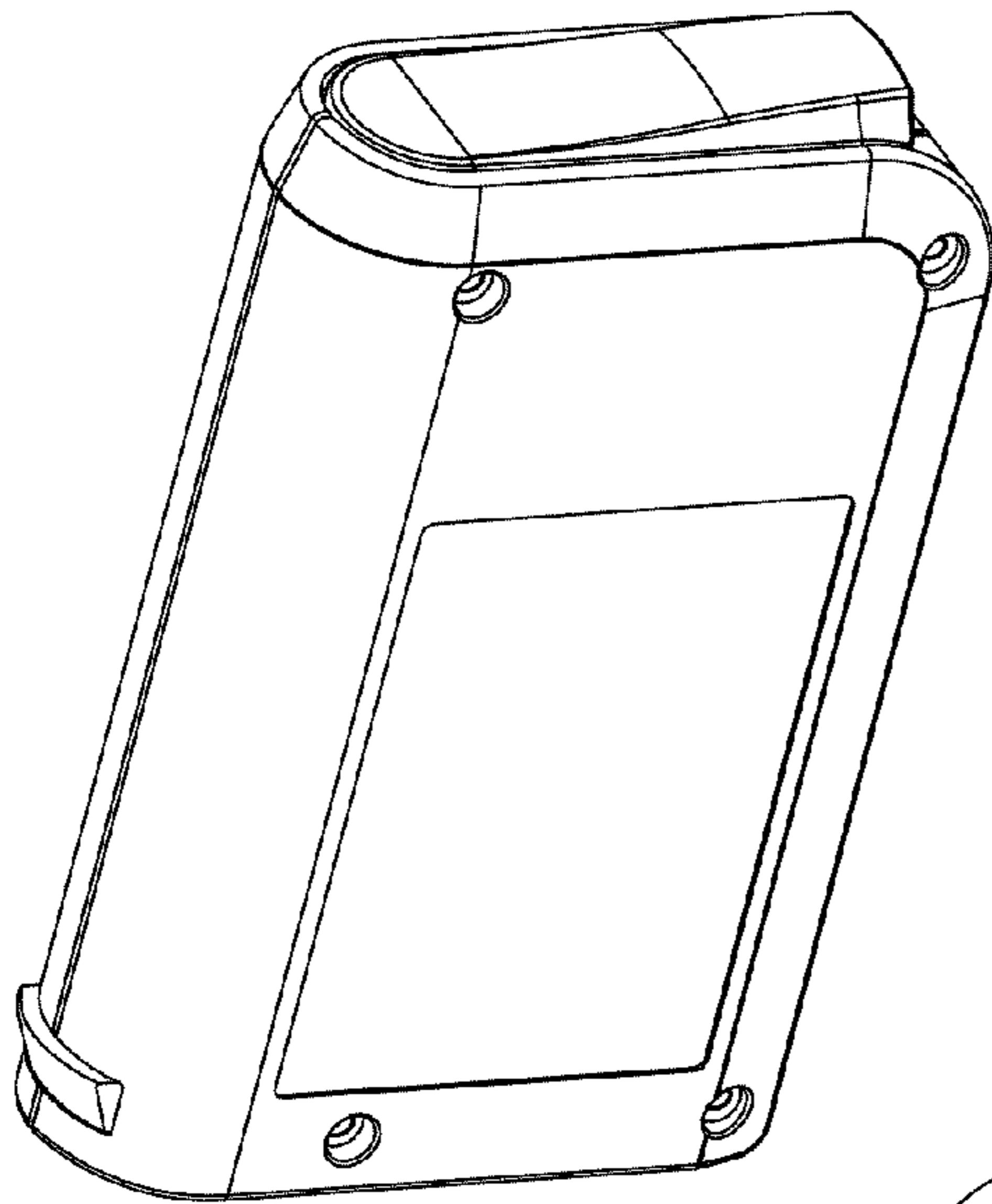


FIG. 1

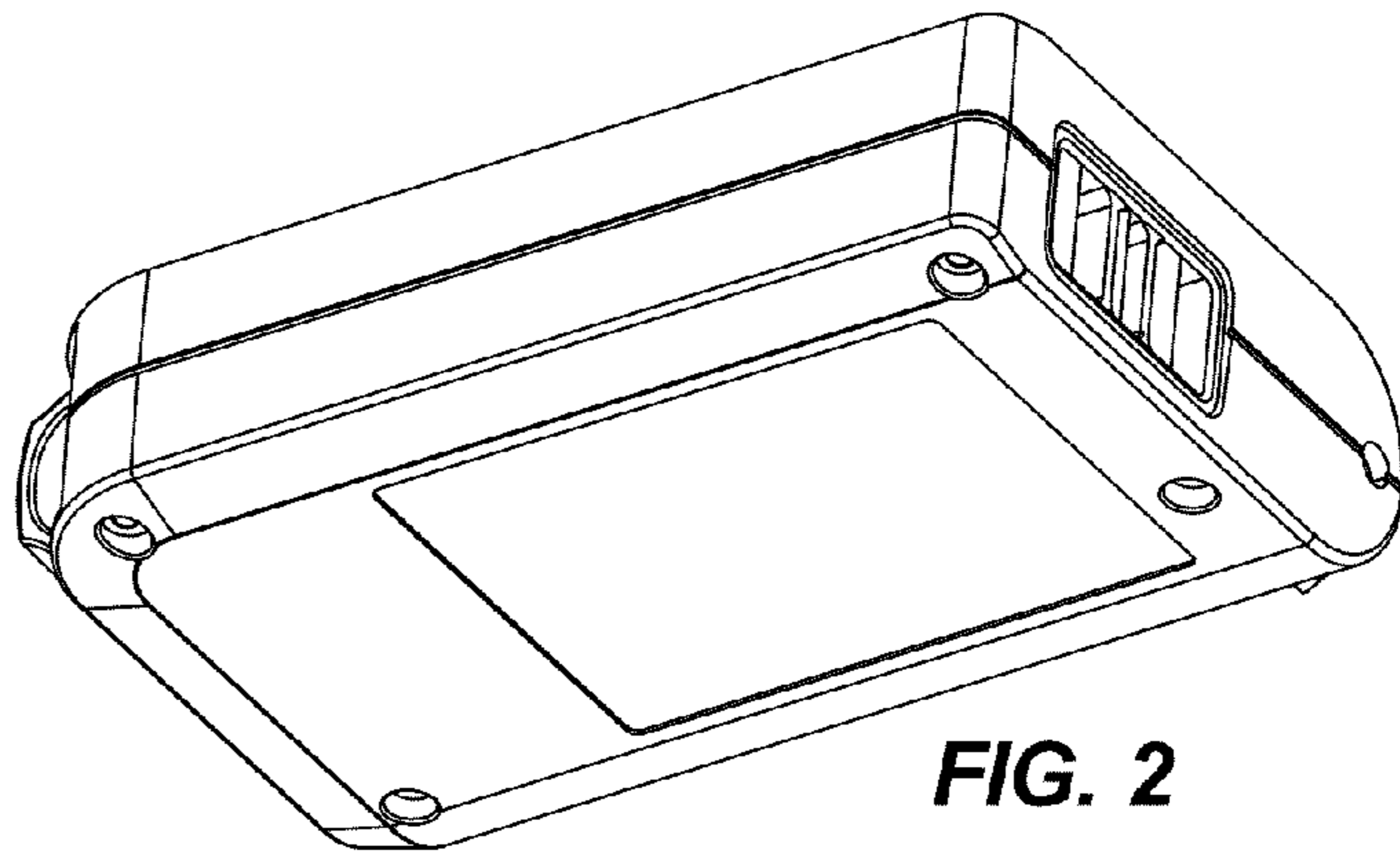


FIG. 2

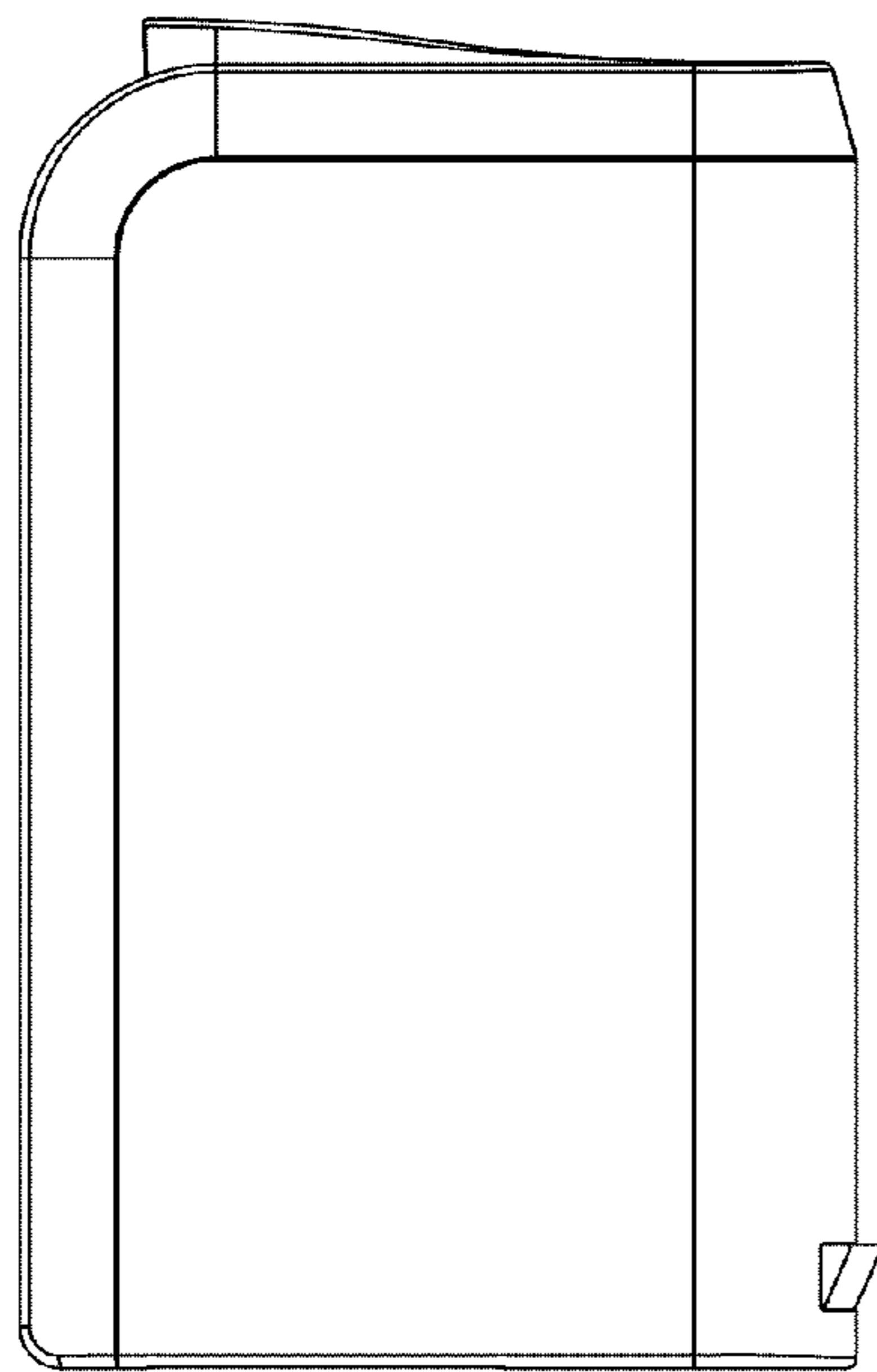


FIG. 3

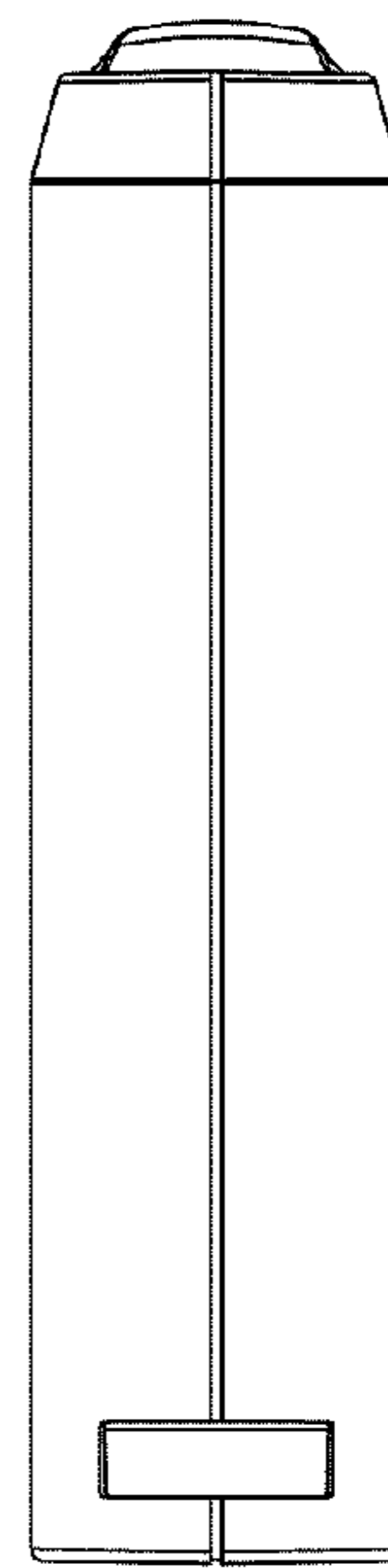


FIG. 4

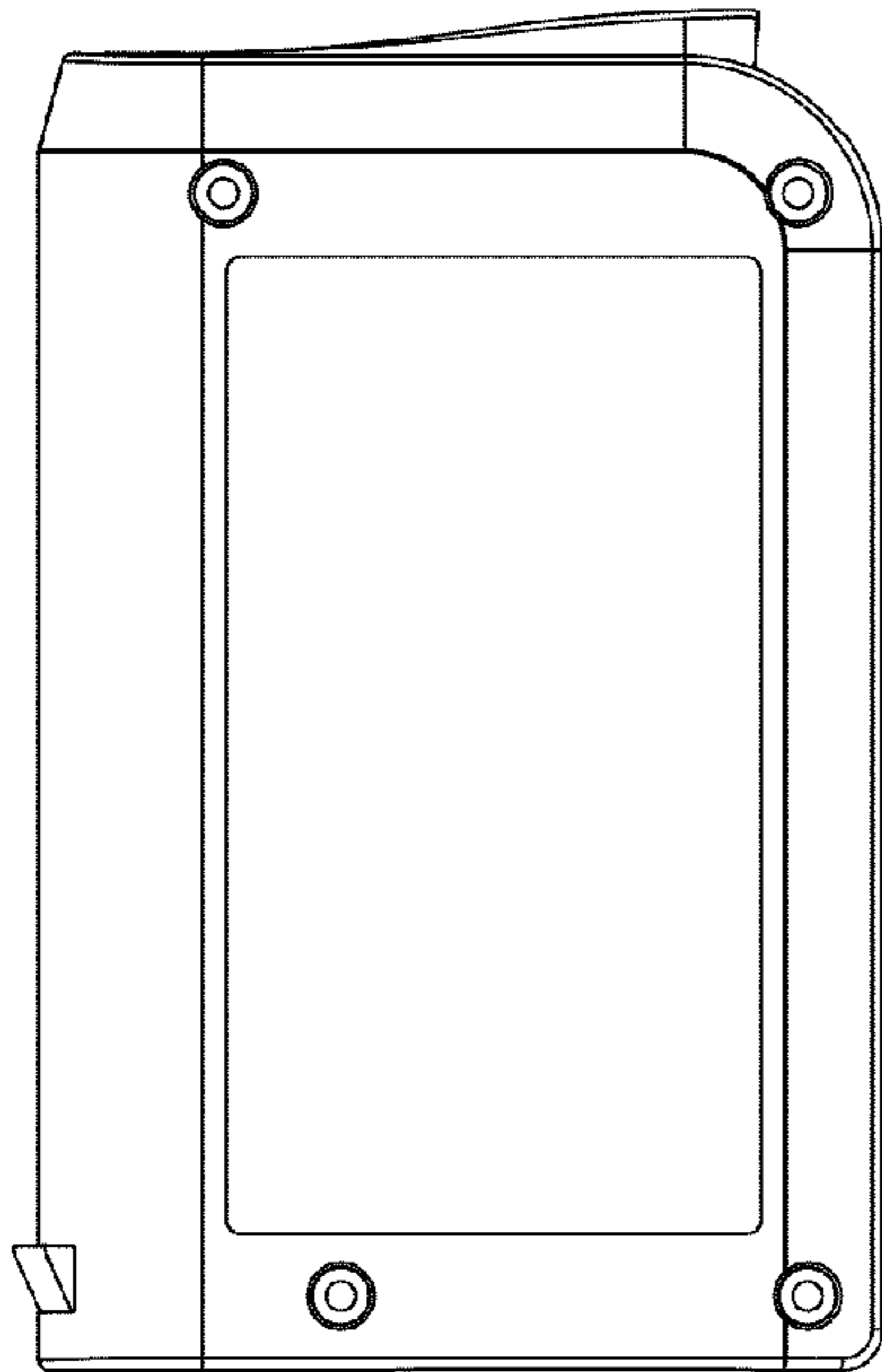


FIG. 5

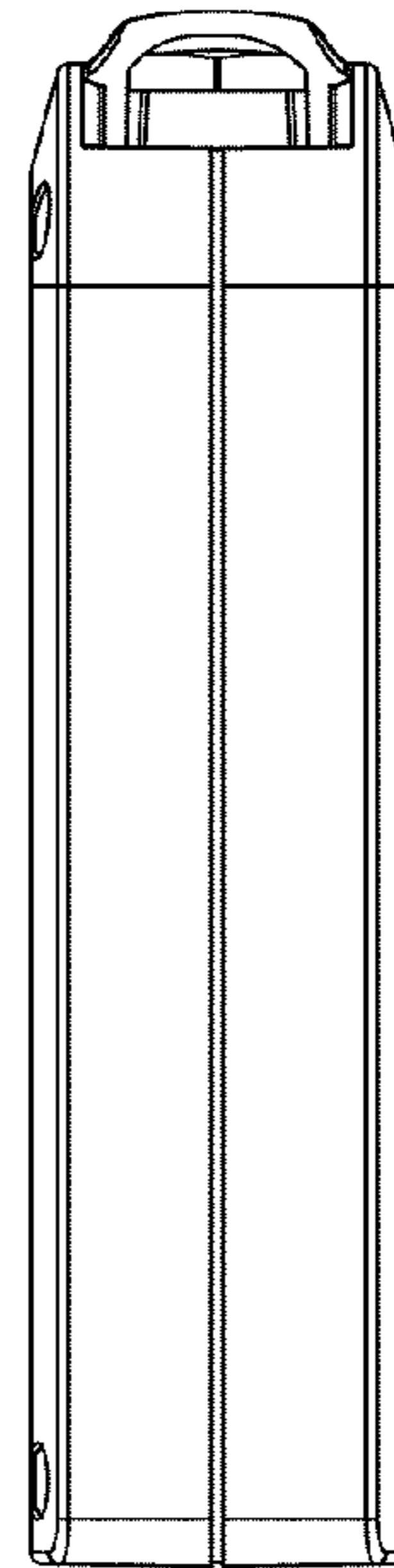


FIG. 6

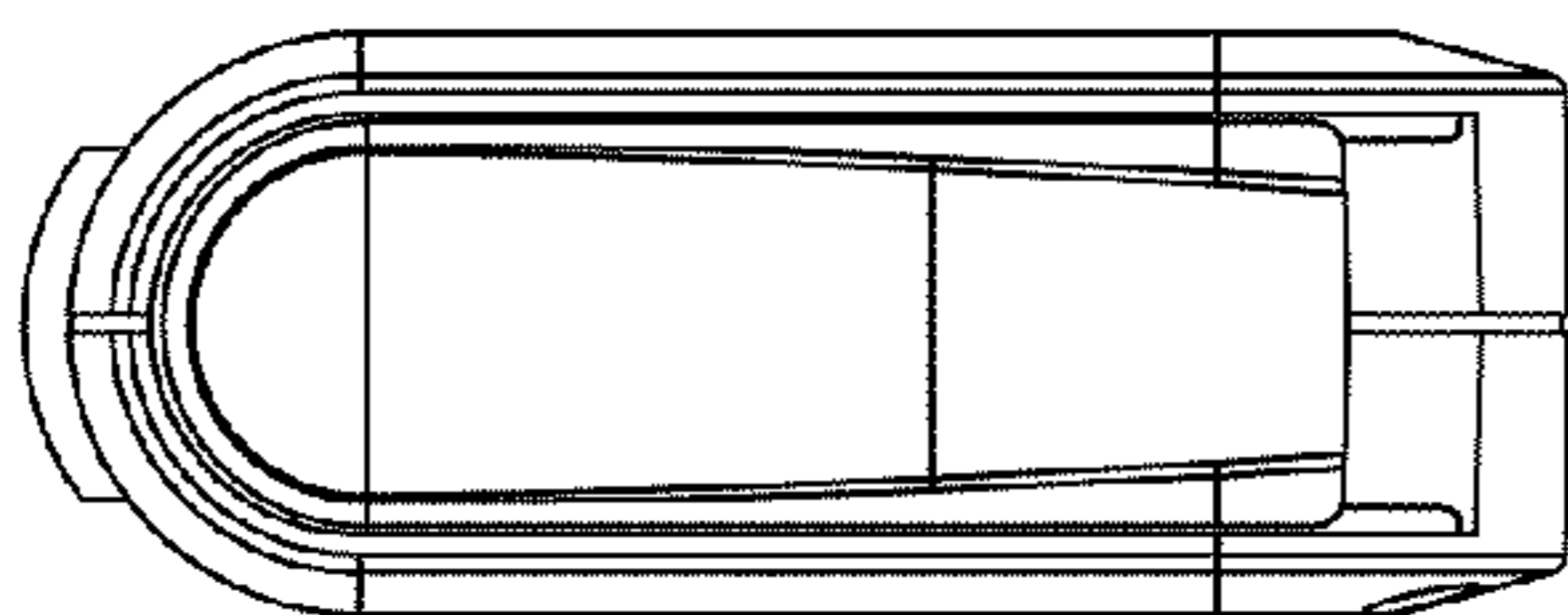


FIG. 7

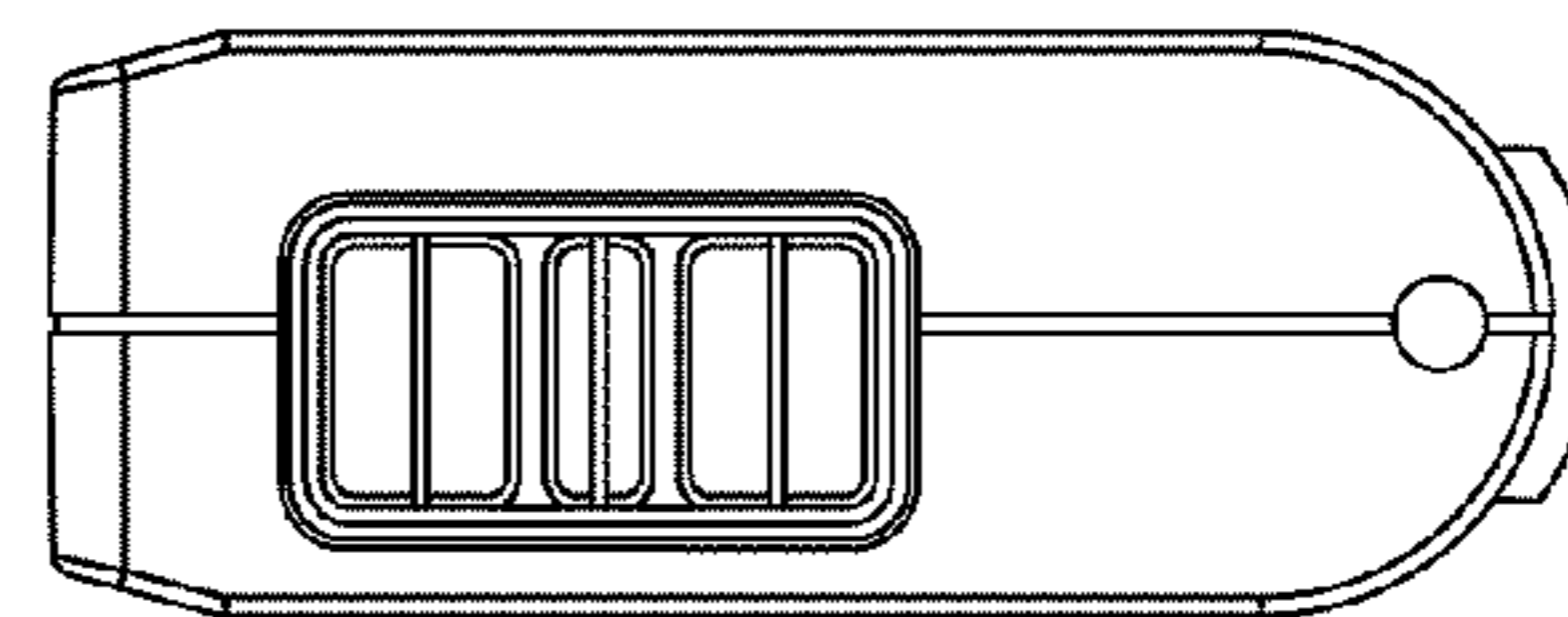


FIG. 8

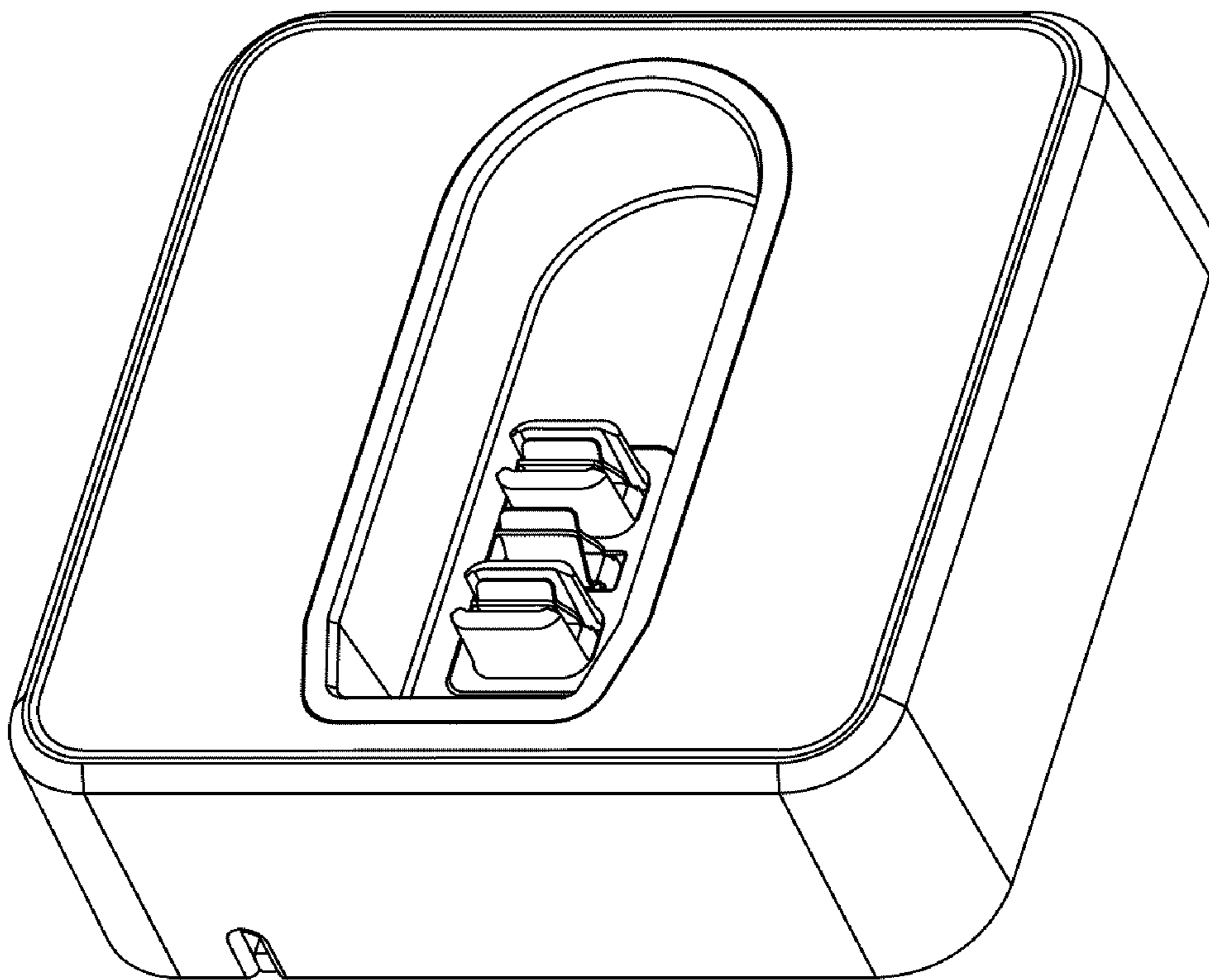


FIG. 9

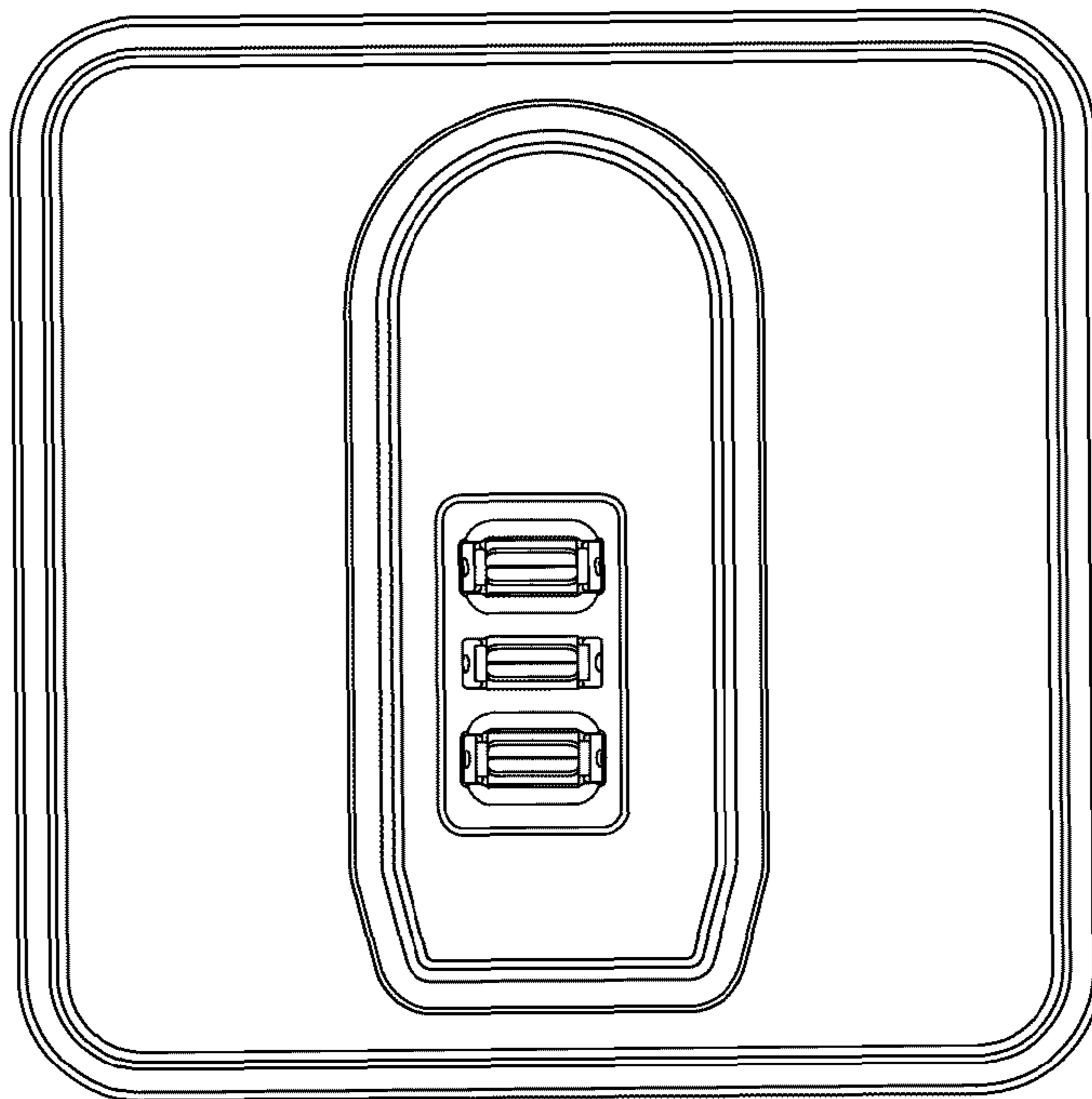


FIG. 10

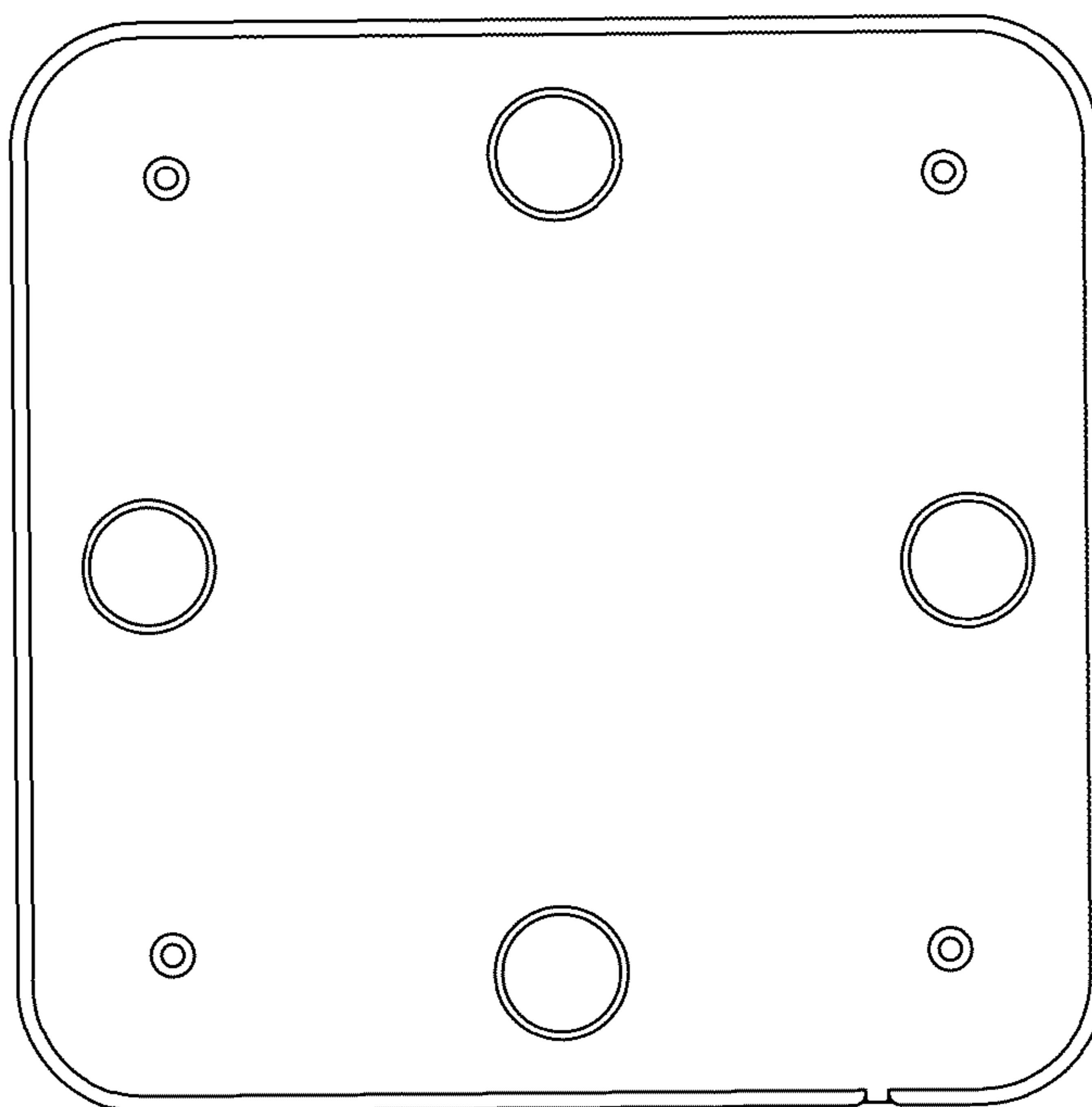


FIG. 11

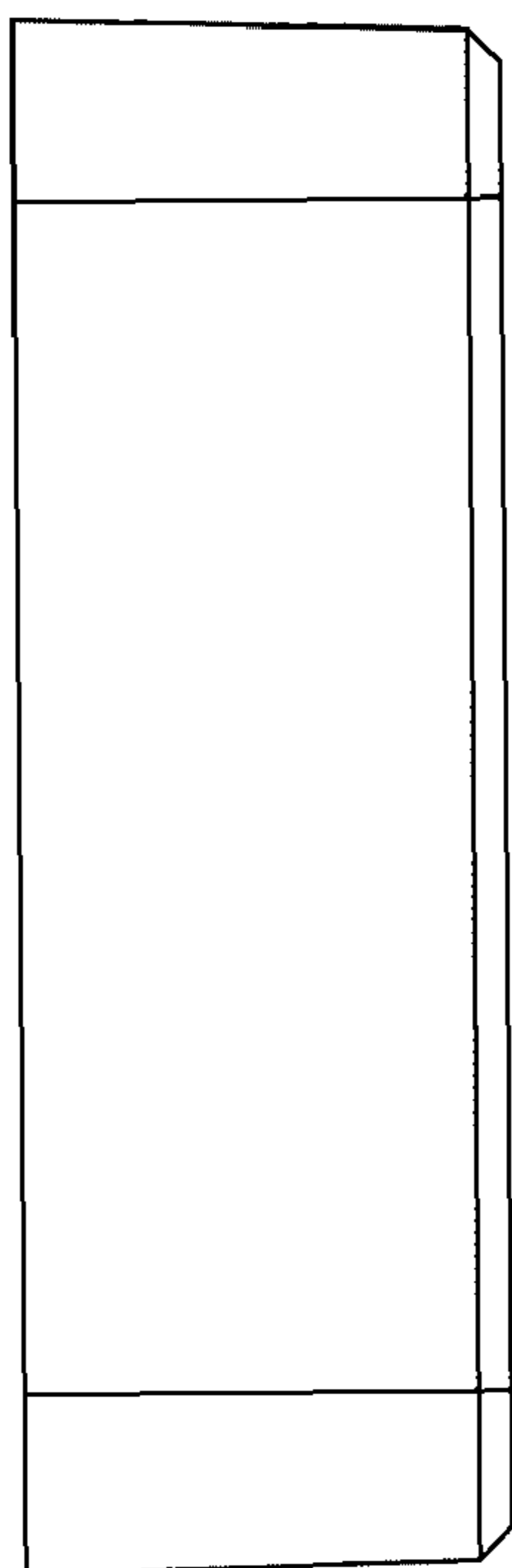


FIG. 12

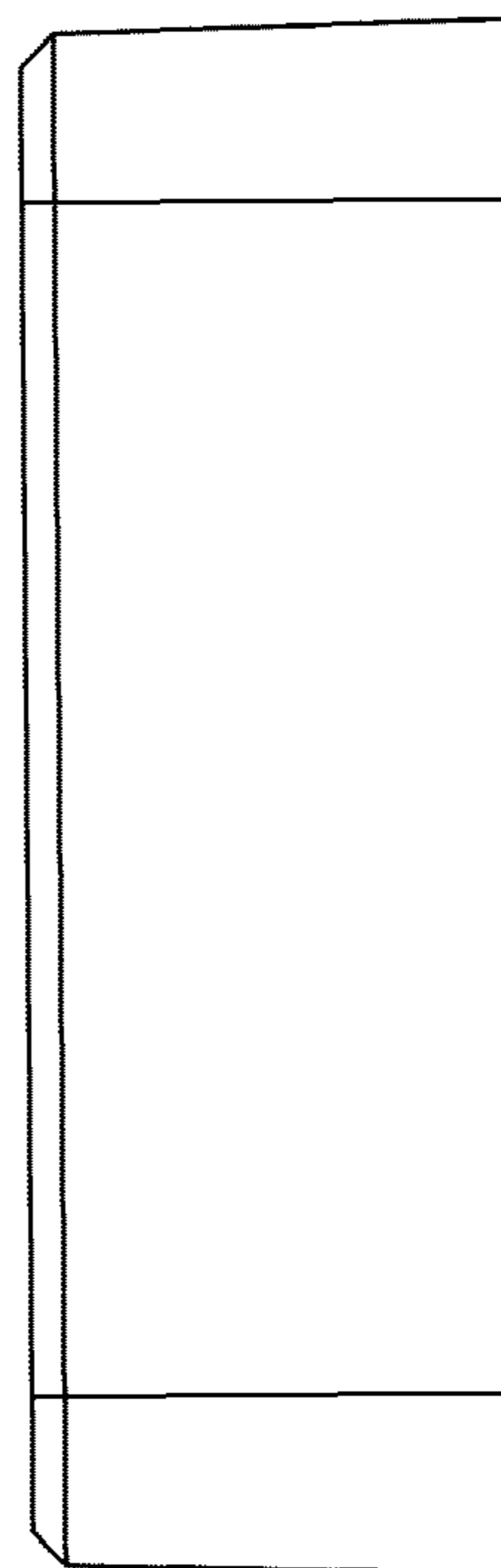


FIG. 13

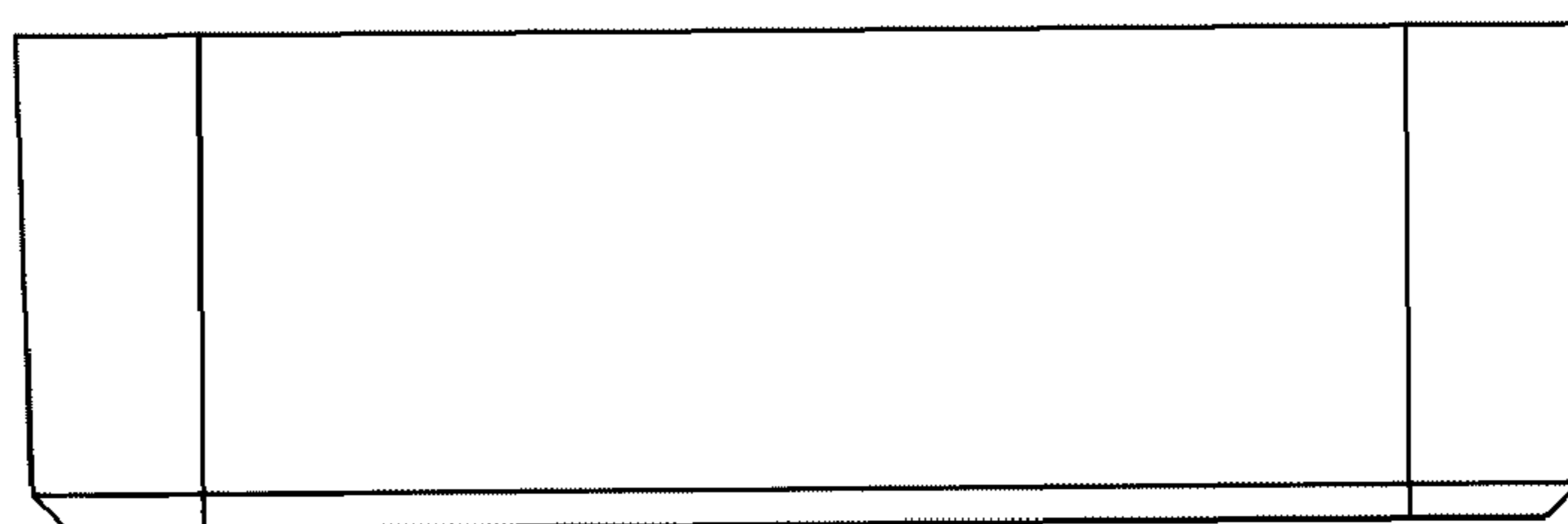


FIG. 14

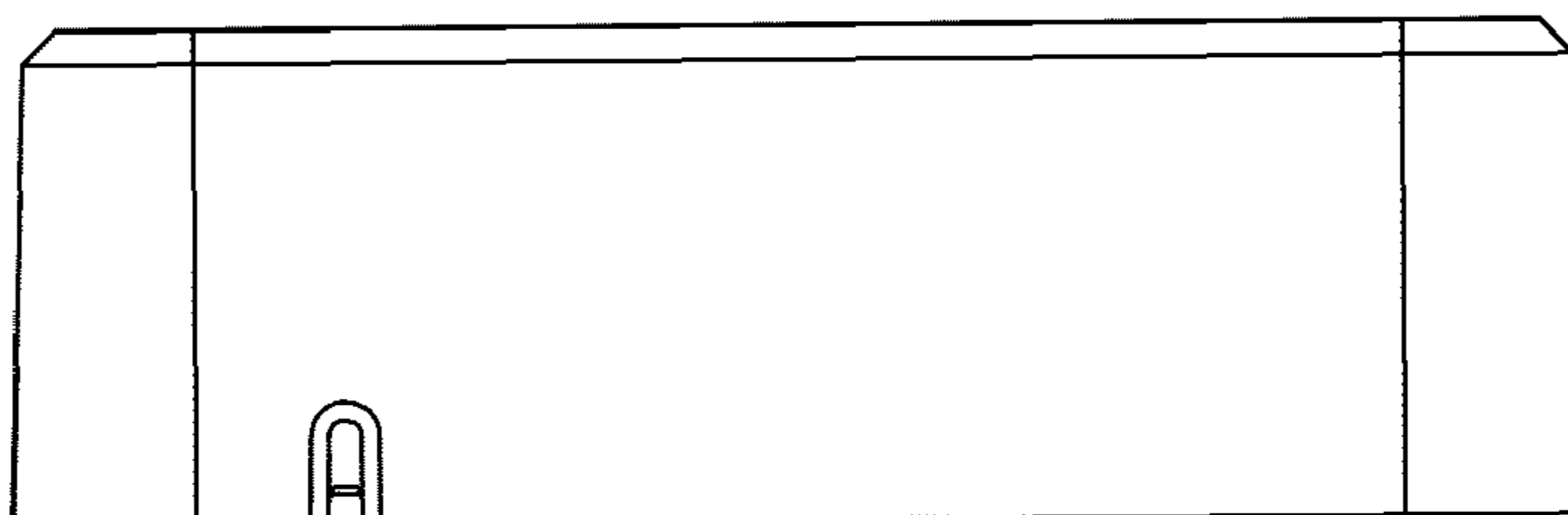


FIG. 15

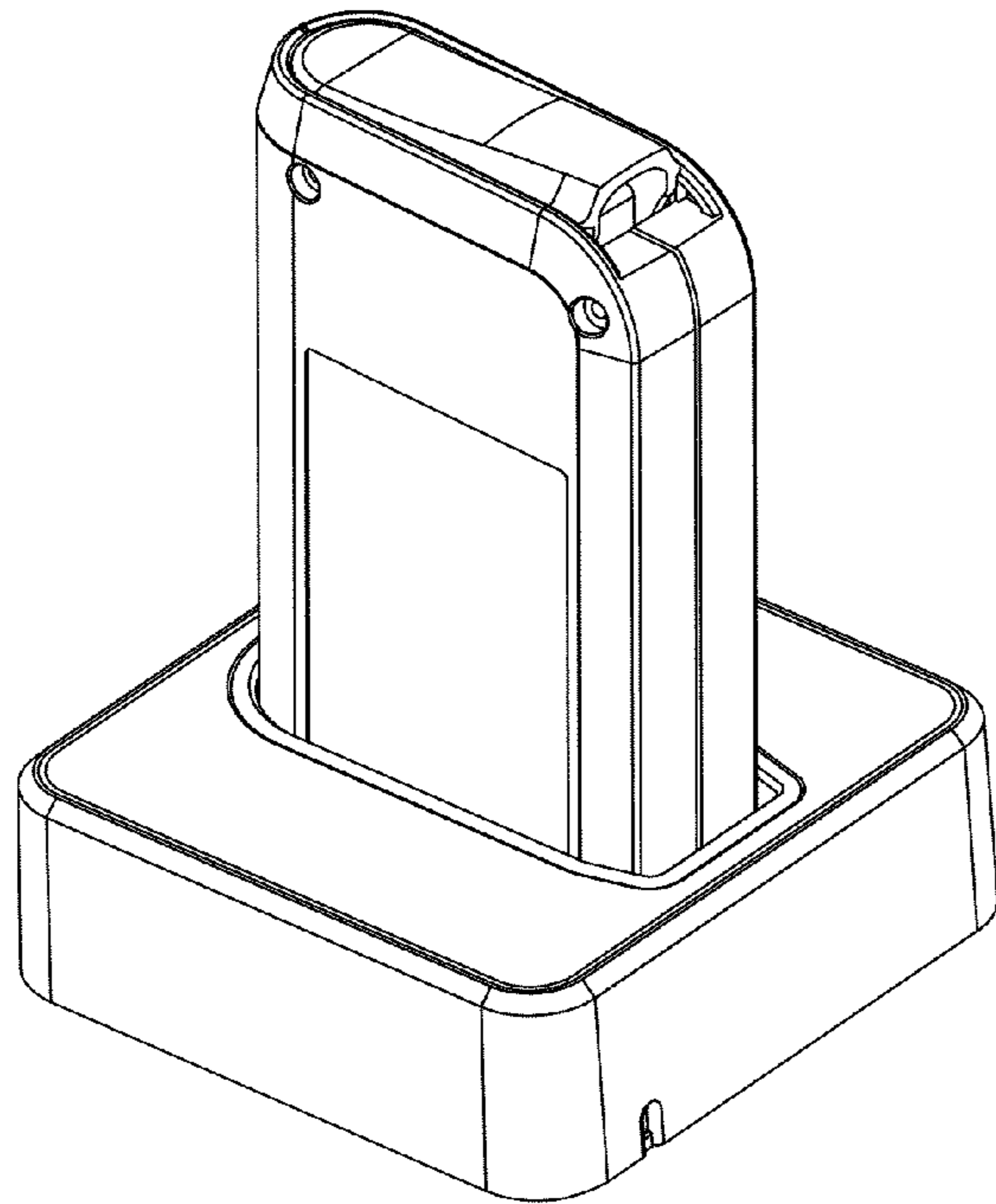


FIG. 16

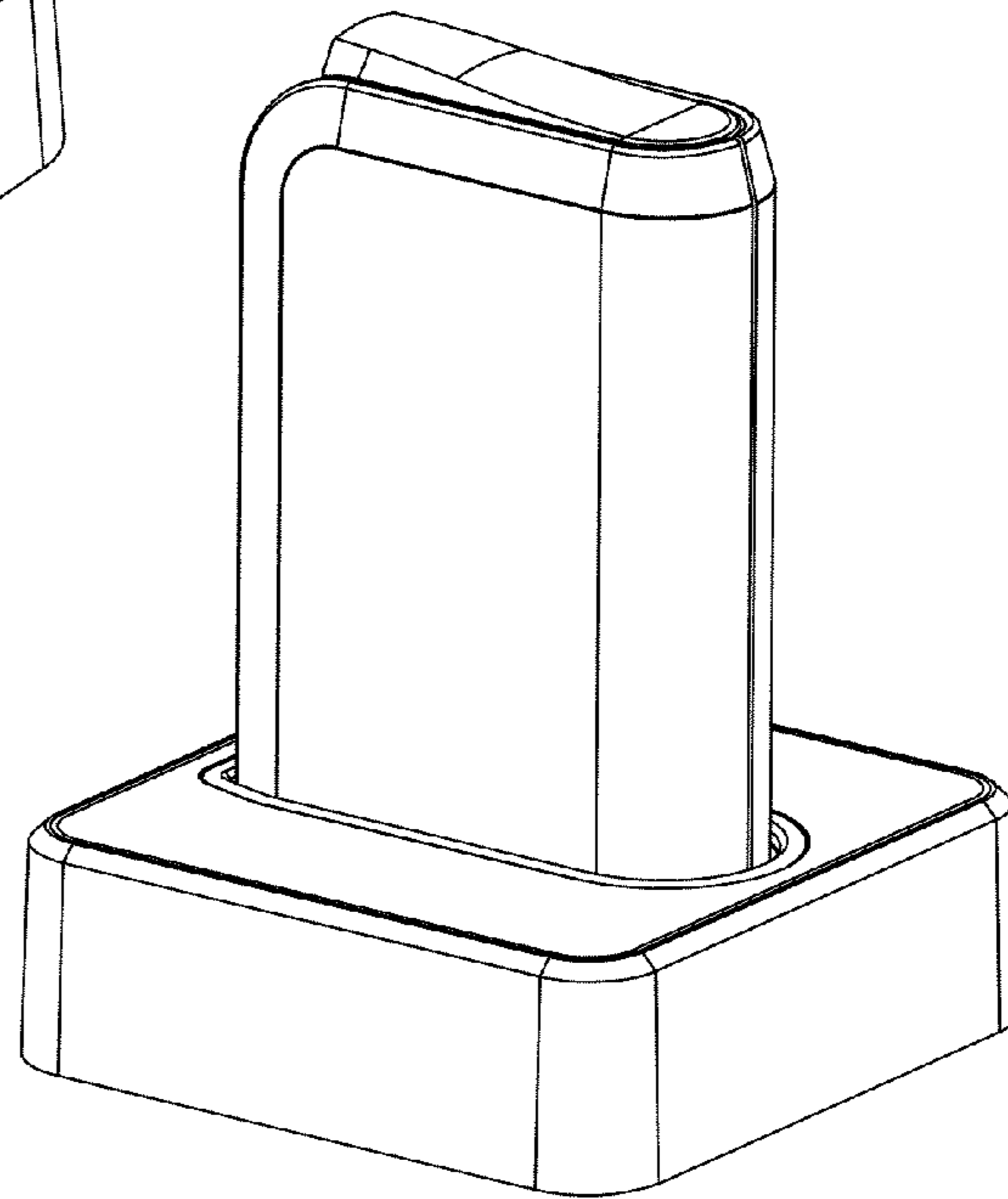


FIG. 17

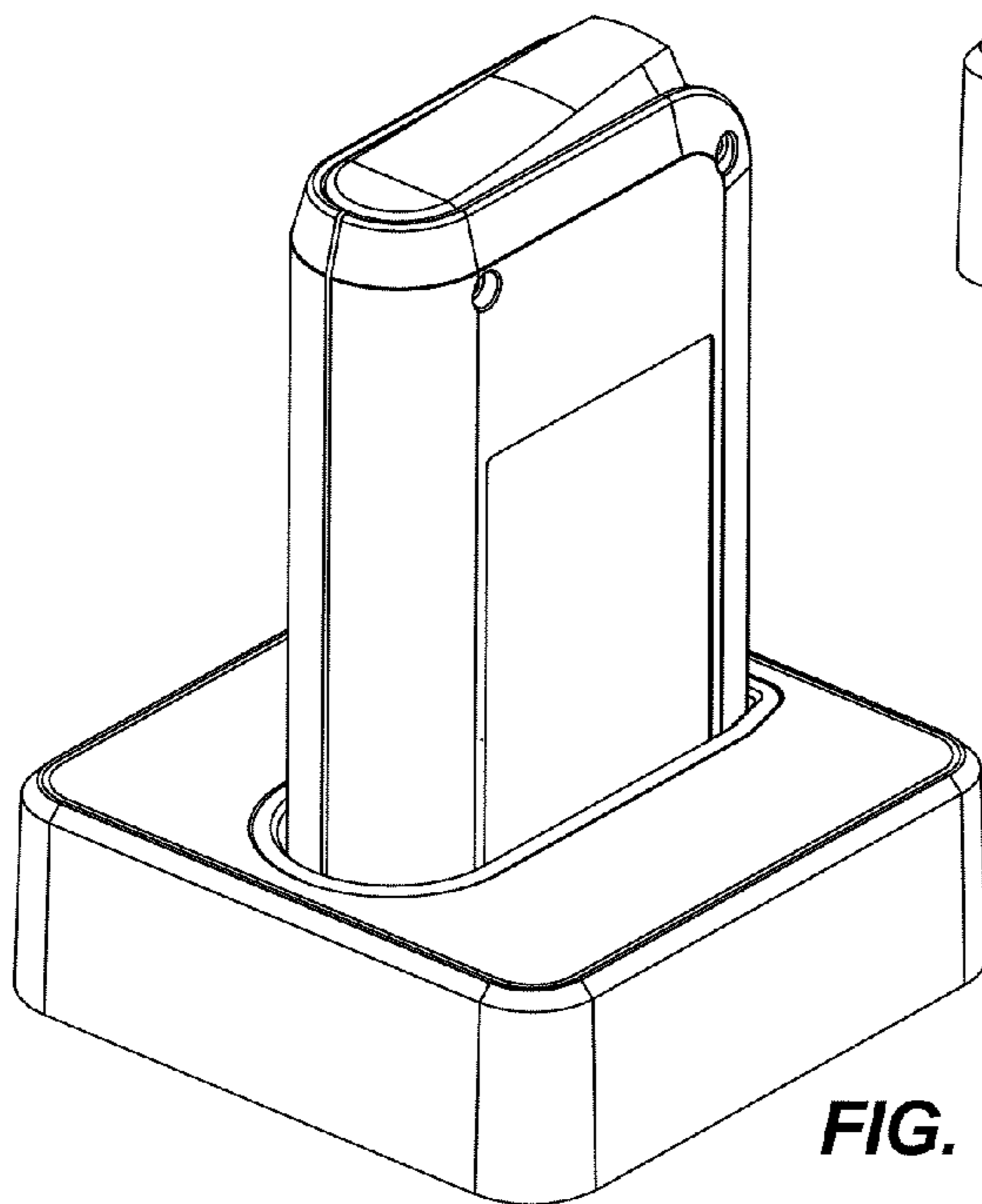


FIG. 18

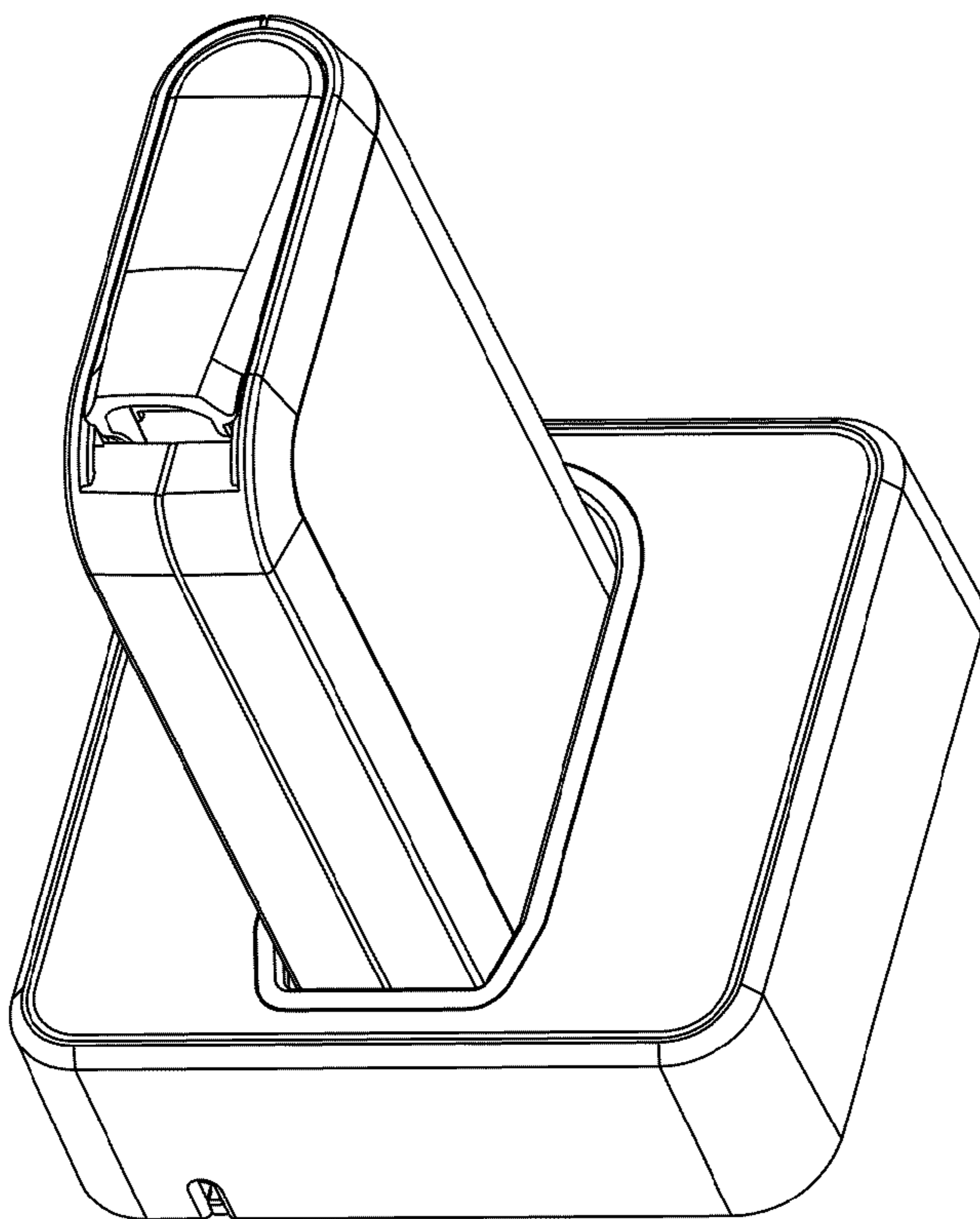


FIG. 19

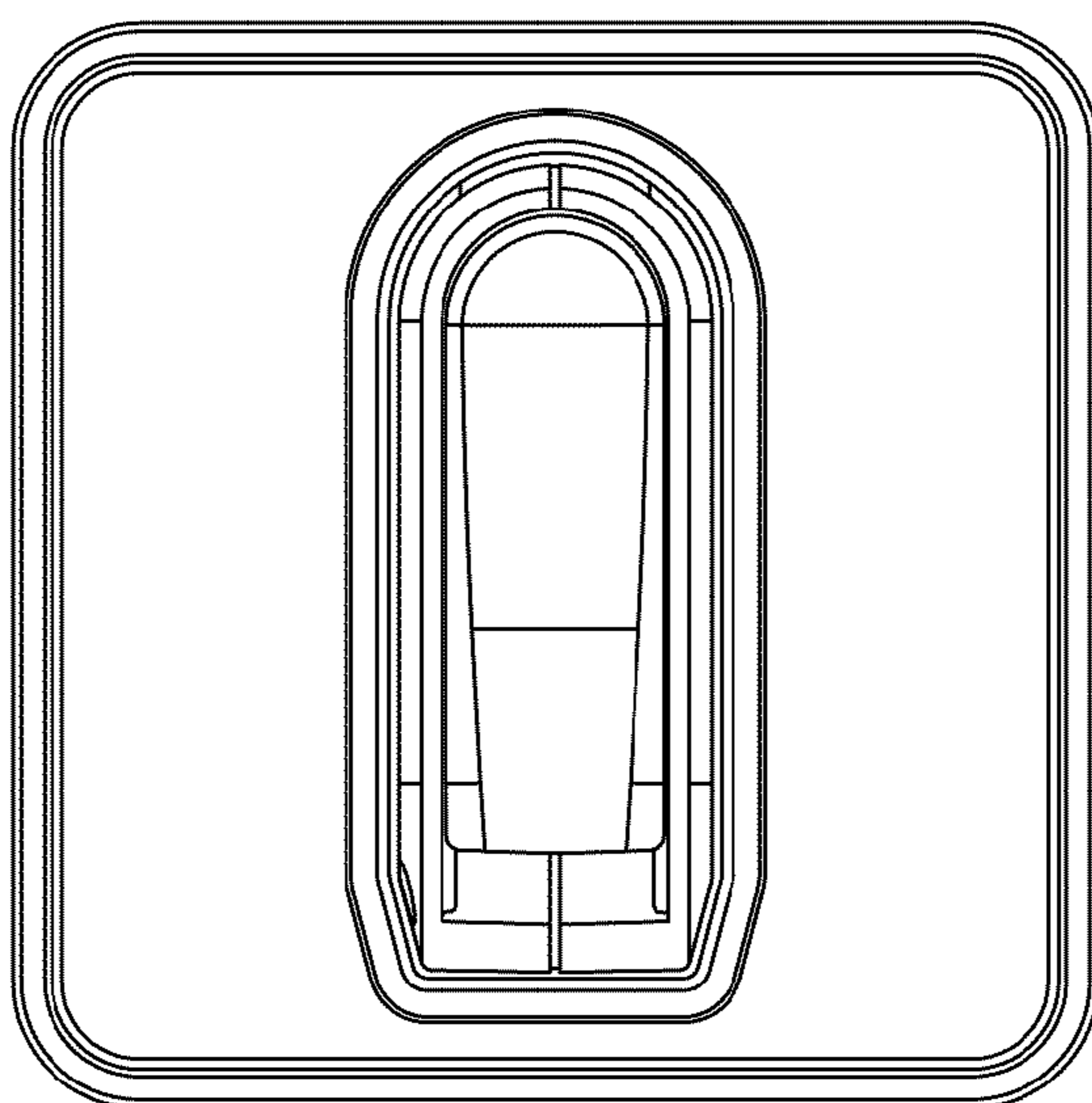


FIG. 20