



US00D652376S

(12) **United States Design Patent**  
**Nomi et al.**

(10) **Patent No.:** **US D652,376 S**  
(45) **Date of Patent:** **\*\* Jan. 17, 2012**

(54) **LIGHT WITH A SOLAR BATTERY**

FOREIGN PATENT DOCUMENTS

(75) Inventors: **Takuo Nomi**, Moriguchi (JP); **Shinji Oda**, Moriguchi (JP)

JP 1403313 S 12/2010

\* cited by examiner

(73) Assignee: **SANYO Electric Co., Ltd.**, Moriguchi-shi (JP)

*Primary Examiner* — Derrick Holland

(74) *Attorney, Agent, or Firm* — Westerman, Hattori, Daniels & Adrian, LLP

(\*\*) Term: **14 Years**

(21) Appl. No.: **29/402,334**

(57) **CLAIM**

The ornamental design for a light with a solar battery, as shown and described.

(22) Filed: **Sep. 22, 2011**

(30) **Foreign Application Priority Data**

**DESCRIPTION**

Apr. 22, 2011 (JP) ..... 2011-009312

(51) **LOC (9) Cl.** ..... **13-02**

(52) **U.S. Cl.** ..... **D13/102**

(58) **Field of Classification Search** ..... D13/102,  
D13/101, 103, 107, 108, 110, 199; 126/569,  
126/707, 712; 136/206, 243, 245, 251, 252;  
320/101; 323/906; D26/67, 68, 69, 70, 93,  
D26/104

See application file for complete search history.

FIG. 1 is a perspective view of a light with a solar battery, showing our new design;

FIG. 2 is a perspective view showing the rear thereof;

FIG. 3 is a front elevational view thereof;

FIG. 4 is a rear elevational view thereof;

FIG. 5 is a top plan view thereof;

FIG. 6 is a bottom plan view thereof;

FIG. 7 is a right side elevational view thereof;

FIG. 8 is a left side elevational view thereof;

FIG. 9 is a cross-sectional view taken along line 9-9 of FIG. 4;

FIG. 10 is a perspective view showing the light with a solar battery in use;

FIG. 11 is a perspective view showing the rear of the light with a solar battery in use; and,

FIG. 12 is an alternate perspective view showing the rear of the light with a solar battery in use.

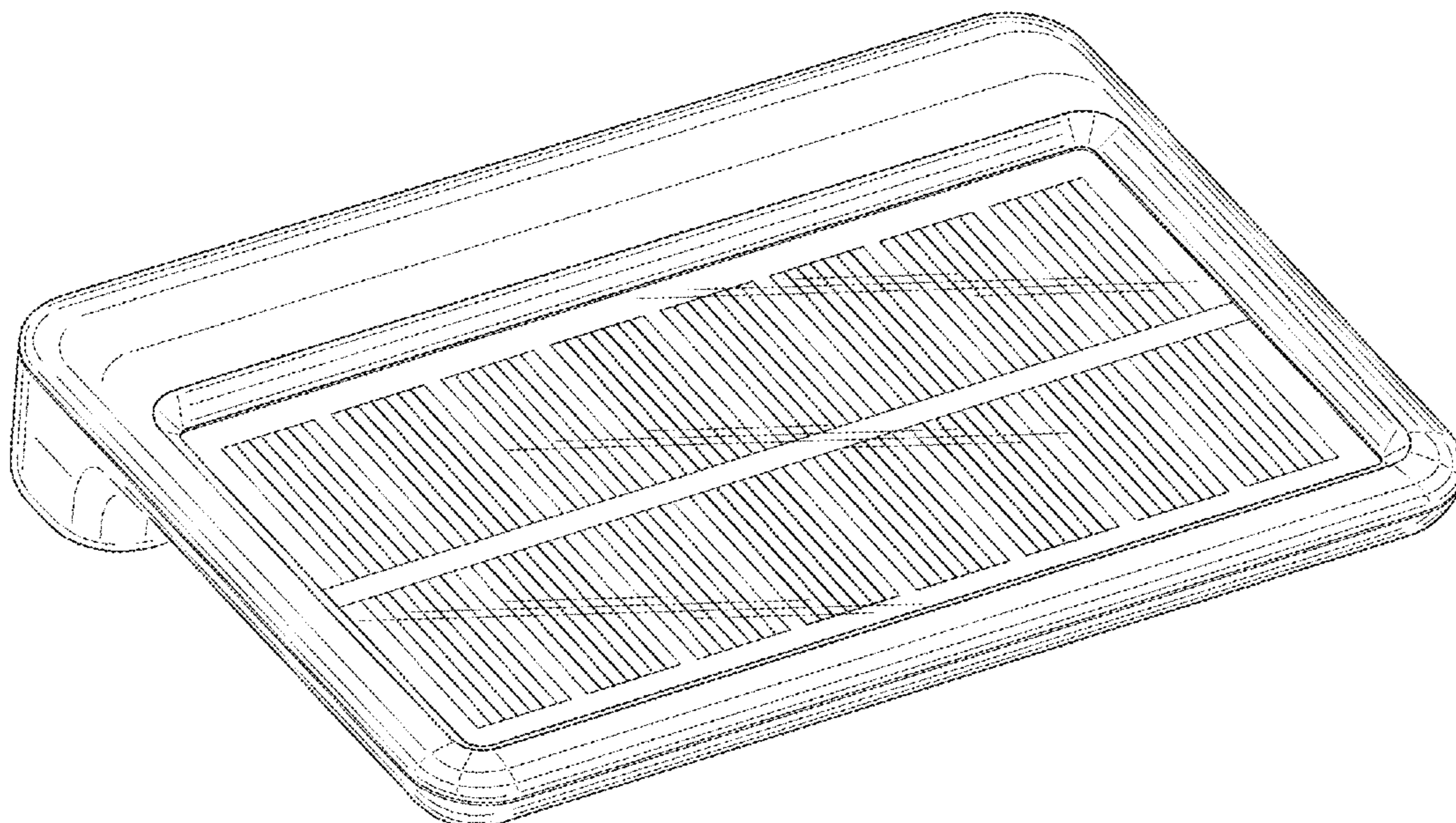
The broken lines illustrate environmental structure and form no part of the claimed design.

(56) **References Cited**

U.S. PATENT DOCUMENTS

4,786,851 A \* 11/1988 Fuji et al. .... 320/101  
D490,051 S \* 5/2004 Kikumoto ..... D13/102  
D574,769 S \* 8/2008 Fisher et al. .... D13/108  
D582,842 S \* 12/2008 Wei ..... D13/102  
D618,166 S \* 6/2010 Sanoner ..... D13/102  
D619,089 S \* 7/2010 Chen ..... D13/102  
D640,973 S \* 7/2011 Katsaros ..... D13/102

**1 Claim, 10 Drawing Sheets**



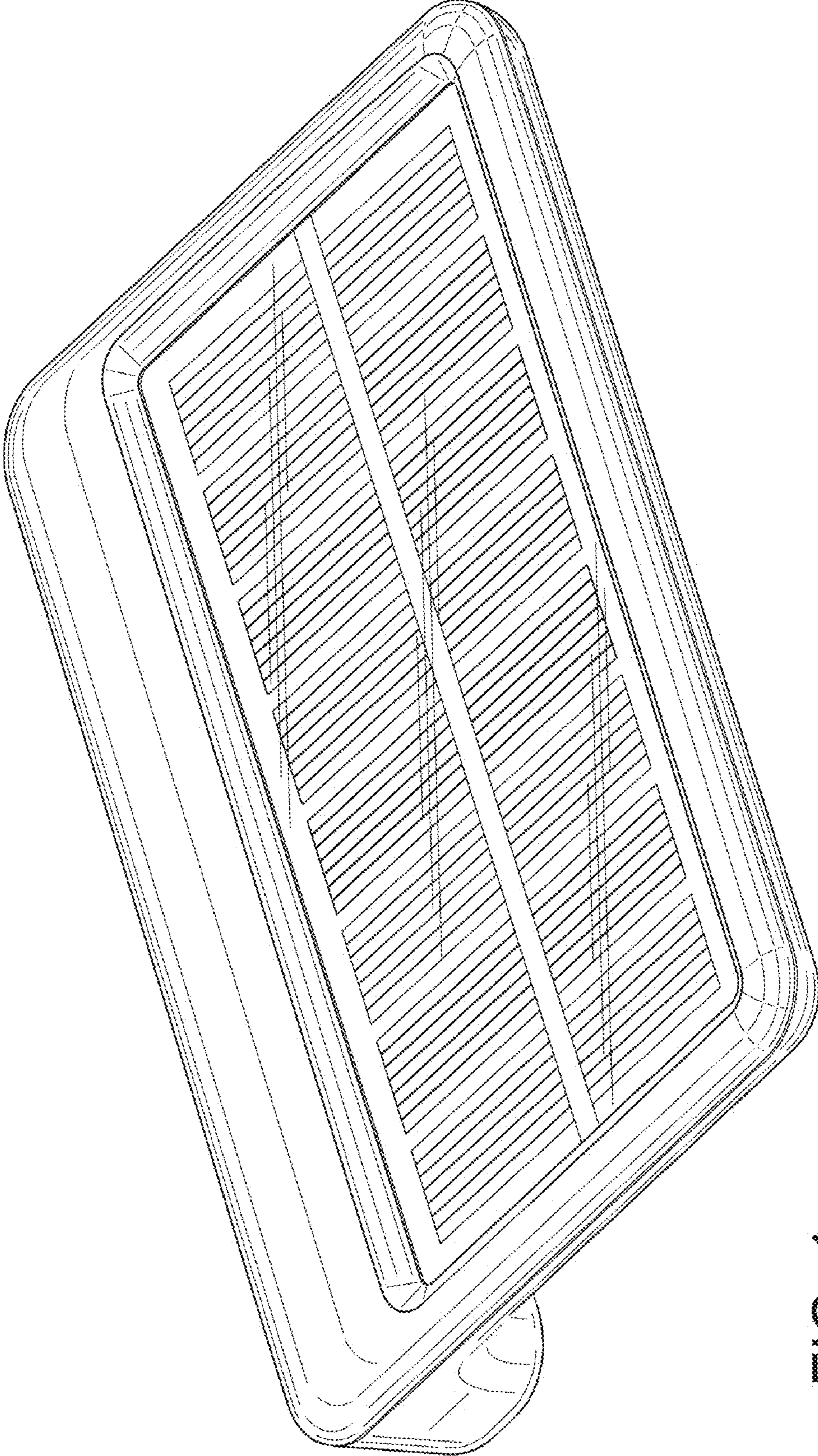


FIG. 1

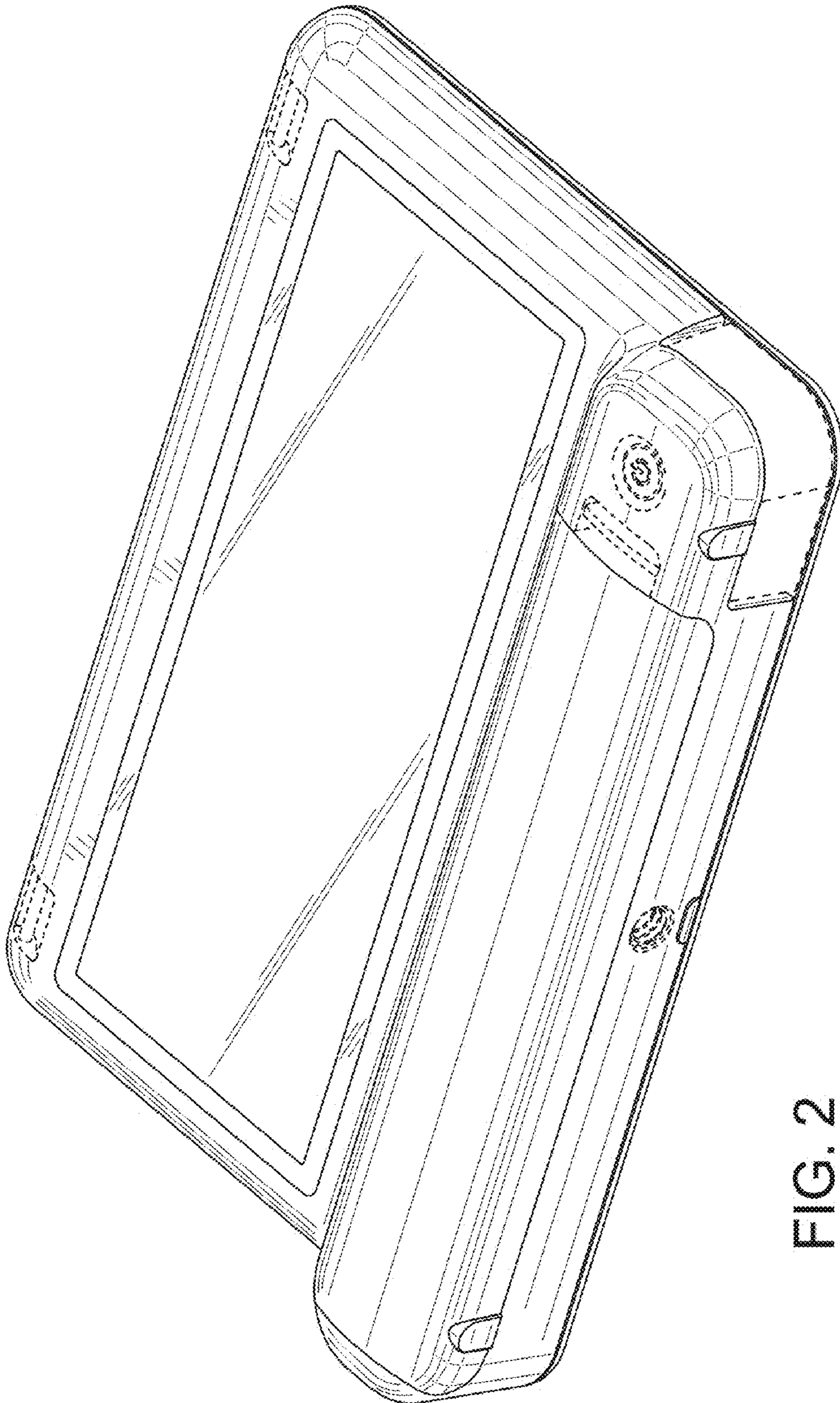


FIG. 2

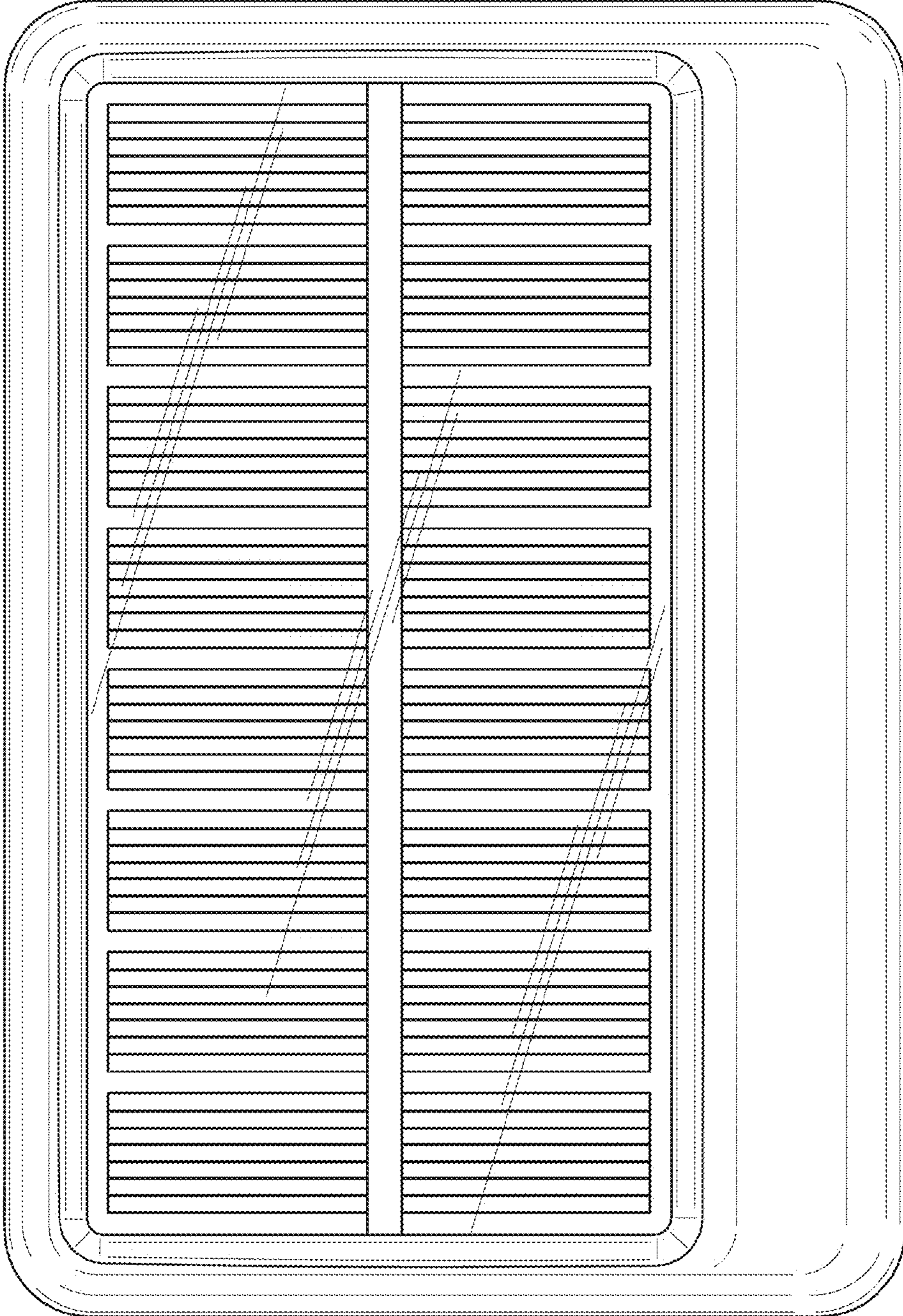


FIG. 3

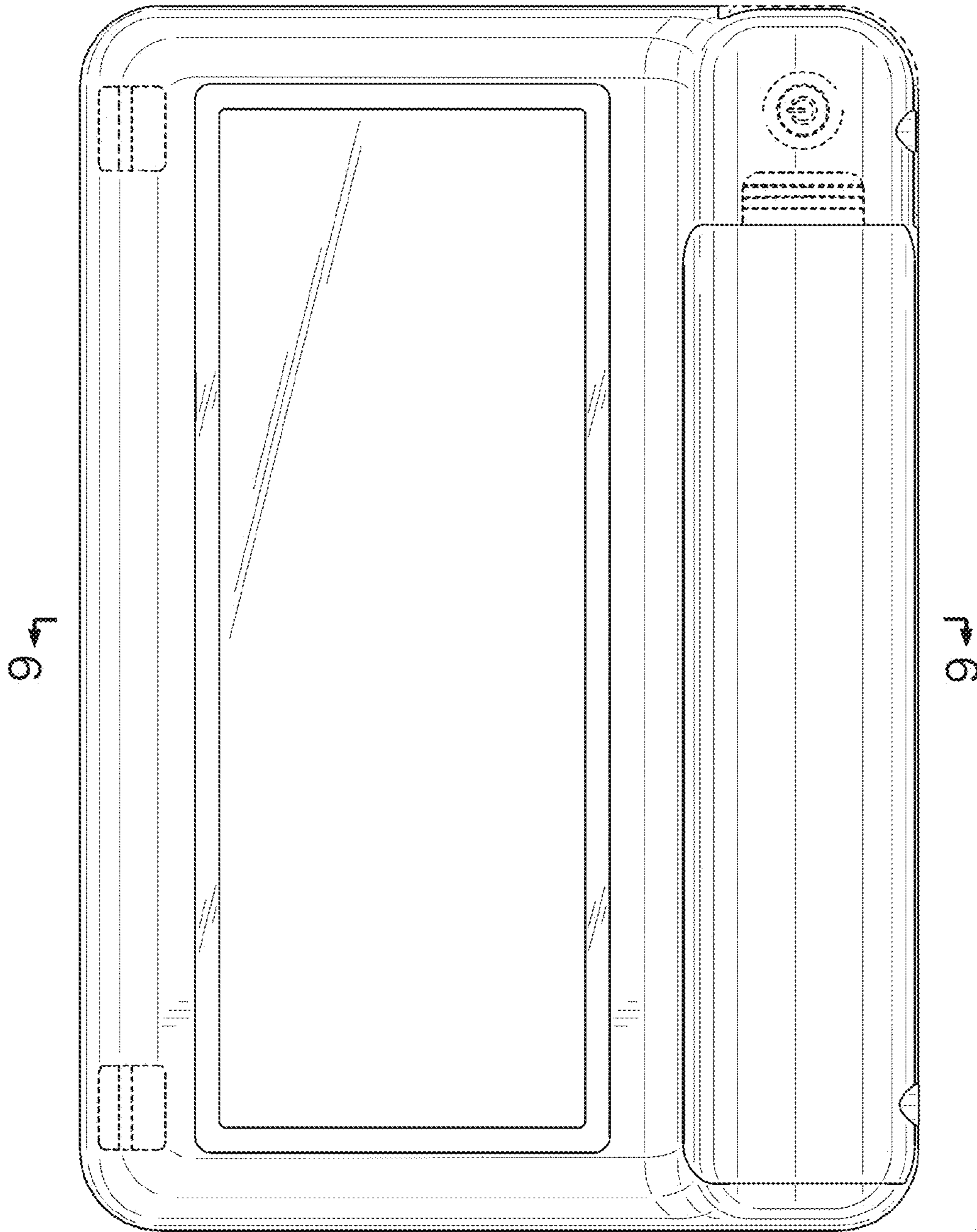


FIG. 4

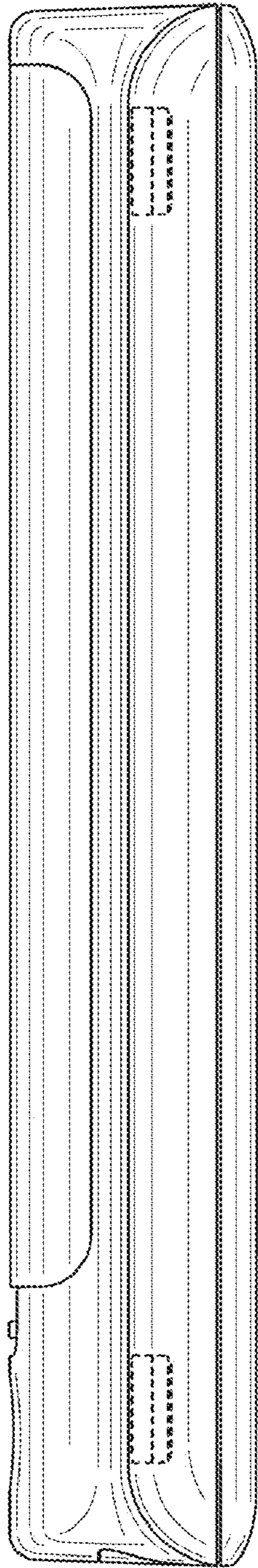


FIG. 5

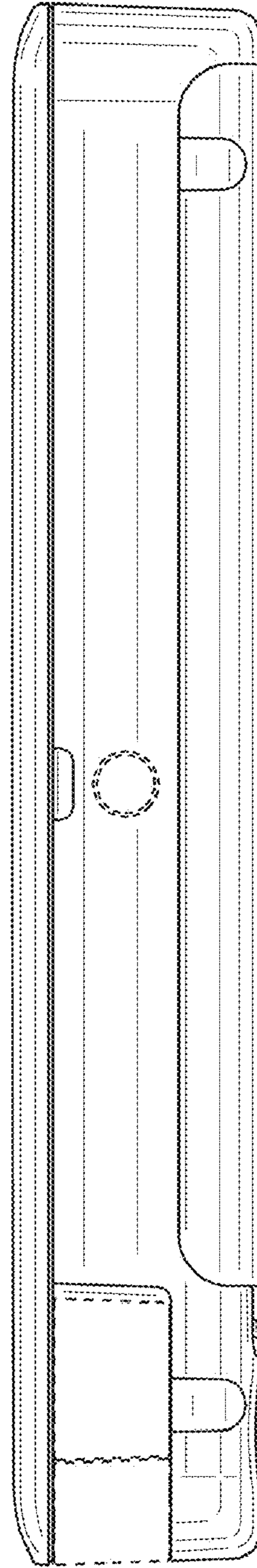


FIG. 6

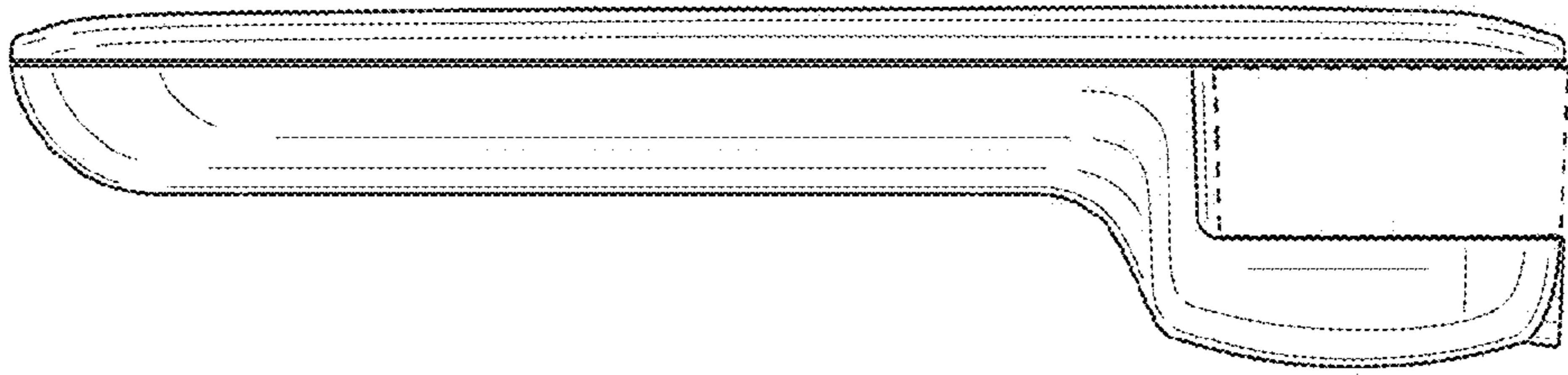


FIG. 8

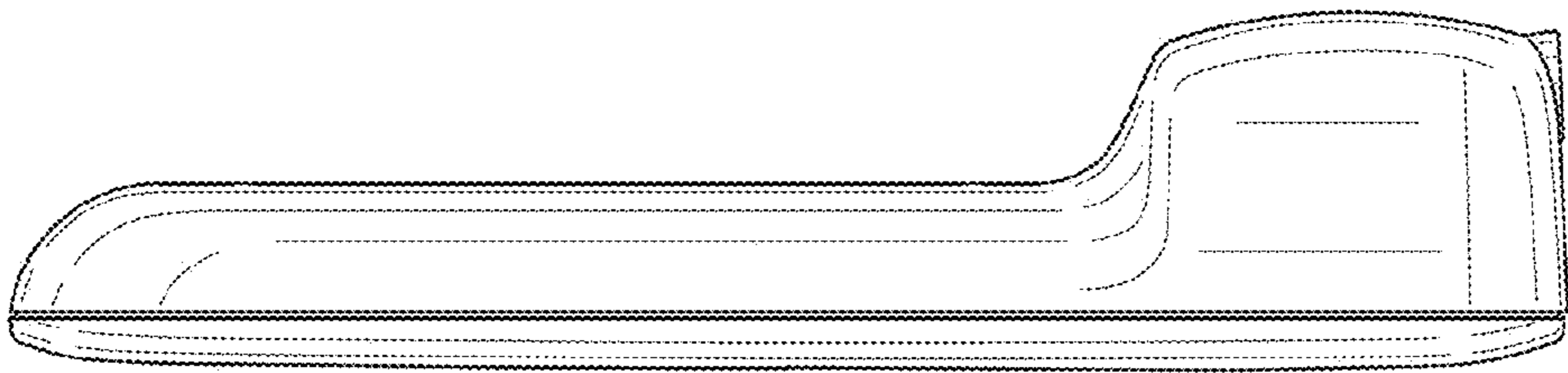


FIG. 7

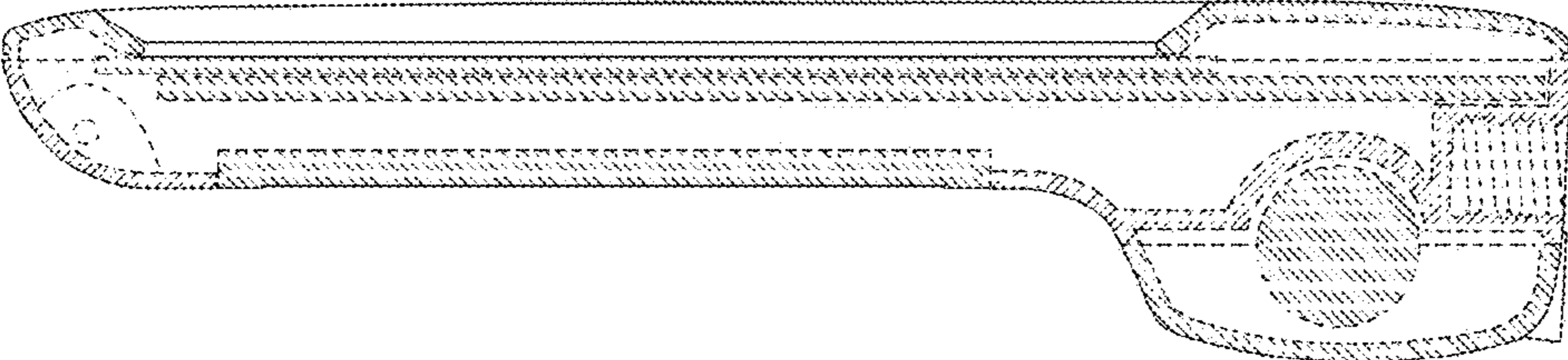


FIG. 9



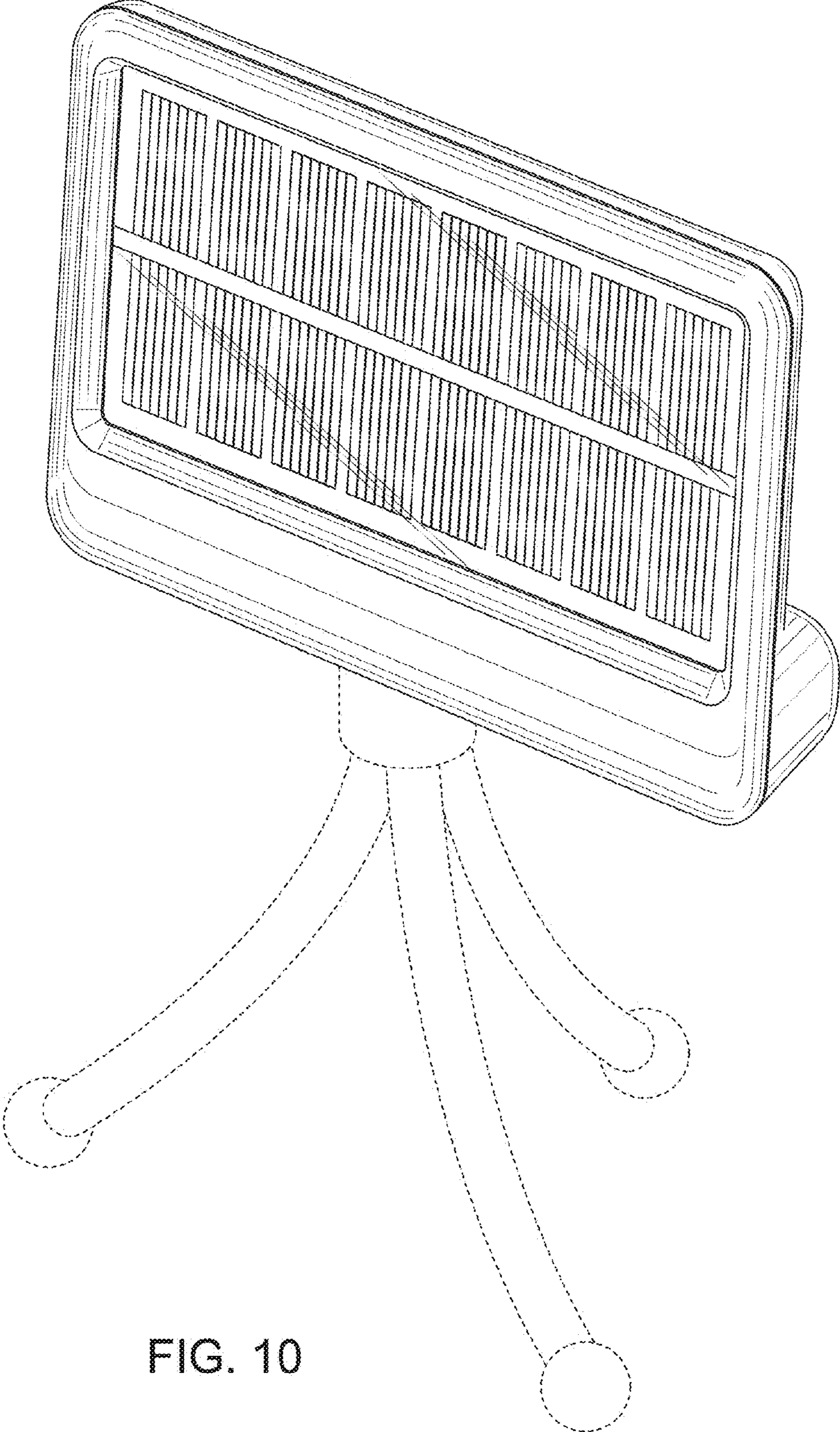


FIG. 10

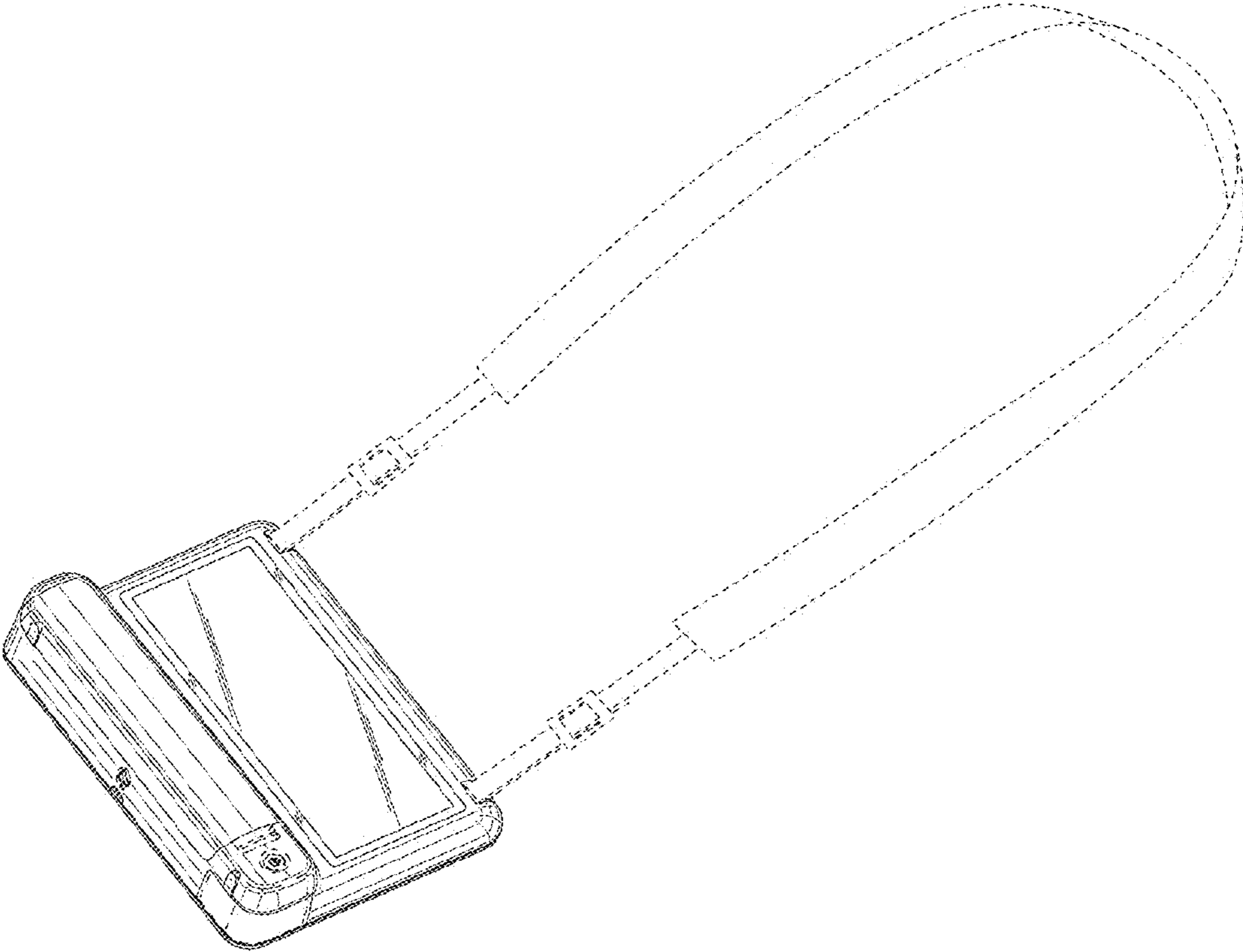


FIG. 11

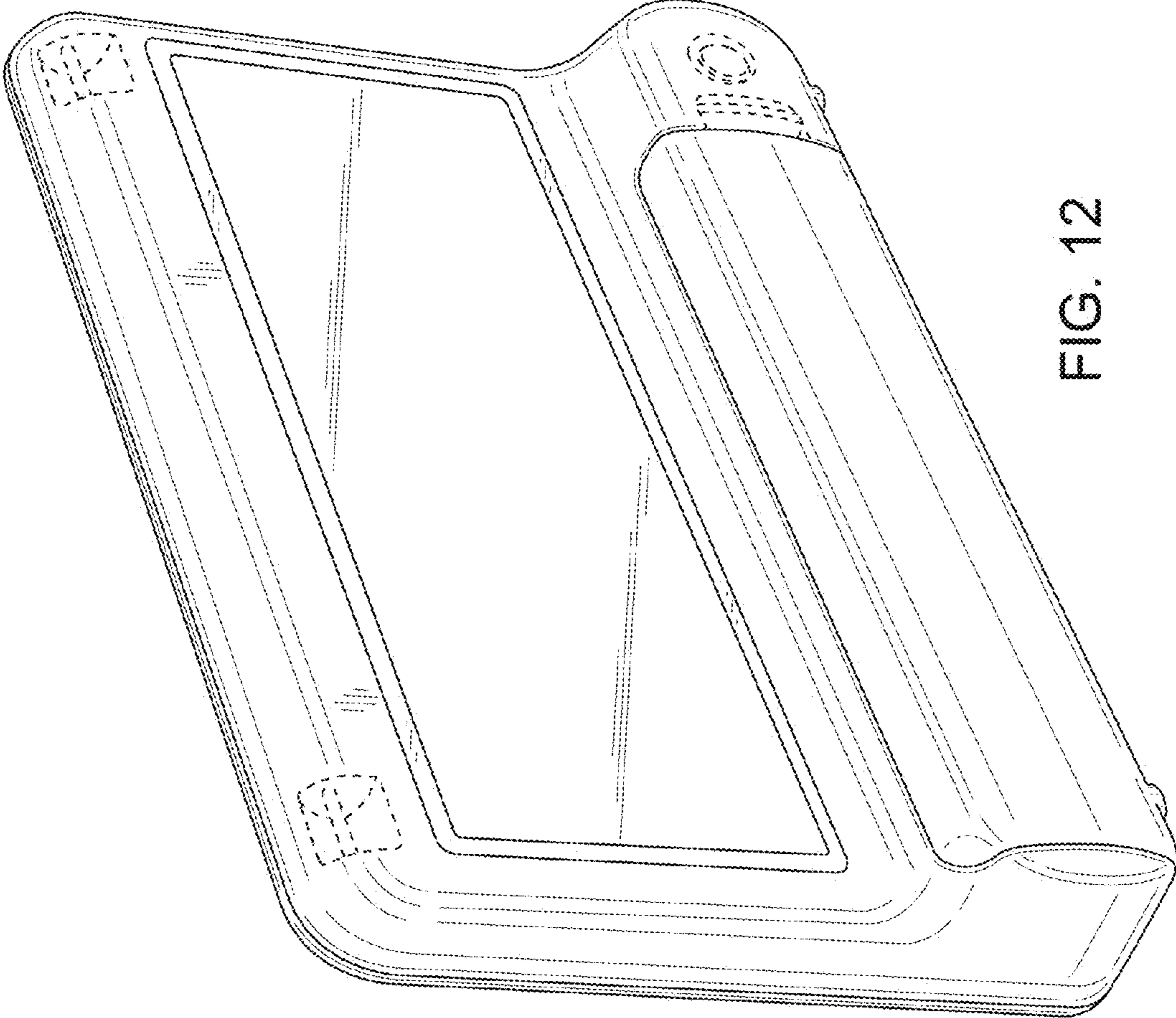


FIG. 12