

US00D652374S

(12) **United States Design Patent**
Mercer

(10) **Patent No.:** **US D652,374 S**
(45) **Date of Patent:** **** Jan. 17, 2012**

(54) **FLOAT MOUNTED SOLAR CHLORINE GENERATOR**

(76) Inventor: **Richard D Mercer**, Spring, TX (US)

(**) Term: **14 Years**

(21) Appl. No.: **29/392,613**

(22) Filed: **May 24, 2011**

(51) **LOC (9) Cl.** **13-02**

(52) **U.S. Cl.** **D13/102**

(58) **Field of Classification Search** D13/102,
D13/101, 118, 184, 199; D23/207, 208;
136/200, 206, 244-251, 256; 204/229.8,
204/267, 271, 272, 273; 244/172.7, 172.8

See application file for complete search history.

5,362,368 A	11/1994	Lynn	
5,795,459 A	8/1998	Sweeney	
D451,979 S	12/2001	VanErdewyk	
6,508,929 B1	1/2003	Mercer	
6,730,509 B2	5/2004	VanErdewyk	
D534,488 S *	1/2007	Rosene et al.	D13/102
D541,138 S	4/2007	Whalen	
D559,943 S	1/2008	Mercer	
7,388,146 B2 *	6/2008	Fraas et al.	136/246
D600,200 S *	9/2009	Dimov et al.	D13/102

* cited by examiner

Primary Examiner — Derrick Holland

(74) *Attorney, Agent, or Firm* — Kenneth L Nash

(57) **CLAIM**

The ornamental design for a float mounted solar chlorine generator, as shown and described.

DESCRIPTION

FIG. 1 is a perspective view of a float mounted solar chlorine generator showing my new design.

FIG. 2 is a front elevational view thereof.

FIG. 3 is a rear elevational view thereof.

FIG. 4 is a left side elevational view thereof.

FIG. 5 is a right side elevational view thereof.

FIG. 6 is a top plan view thereof; and,

FIG. 7 is a bottom plan view thereof.

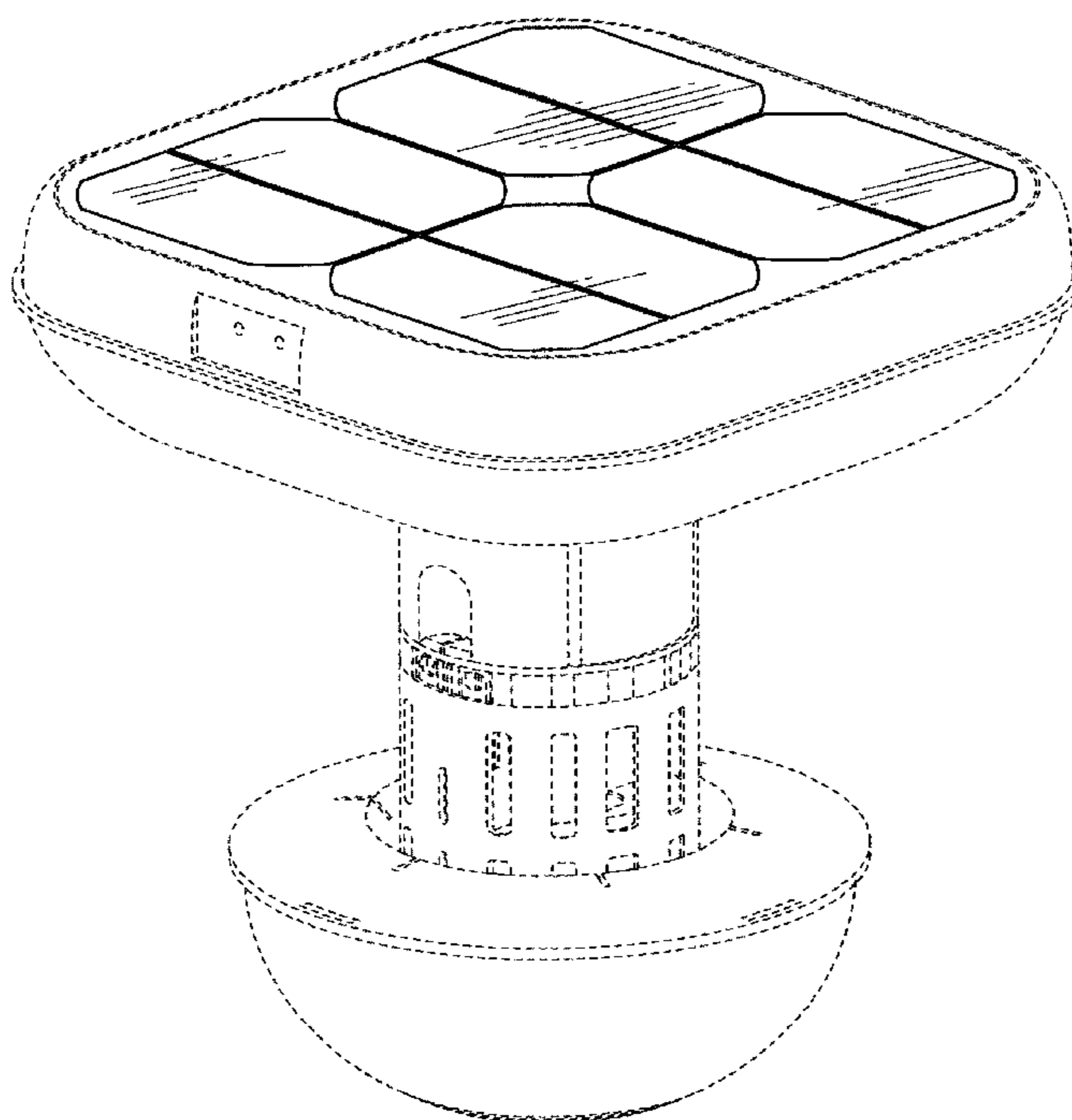
The broken lines shown represent unclaimed subject matter only and form no part of the claim. Where broken lines abut a claimed surface it is understood that those broken lines represent an unclaimed boundary between claimed and unclaimed surfaces. None of the broken lines form any part of the claimed design.

(56) **References Cited**

U.S. PATENT DOCUMENTS

4,097,356 A	6/1978	Yates	
4,217,331 A	8/1980	Schaub	
4,248,715 A	2/1981	Olivier	
4,250,126 A	2/1981	Yates	
4,256,552 A	3/1981	Sweeney	
D261,415 S	10/1981	Yates	
4,321,416 A *	3/1982	Tennant	136/244
4,337,136 A	6/1982	Dahlgren	
4,630,634 A	12/1986	Sasaki	
4,724,059 A	2/1988	Collier	
5,037,519 A	8/1991	Wiscombe	
5,053,205 A	10/1991	Taylor	
5,055,183 A	10/1991	Buchan	
5,059,296 A	10/1991	Sherman	
5,085,753 A	2/1992	Sherman	

1 Claim, 4 Drawing Sheets



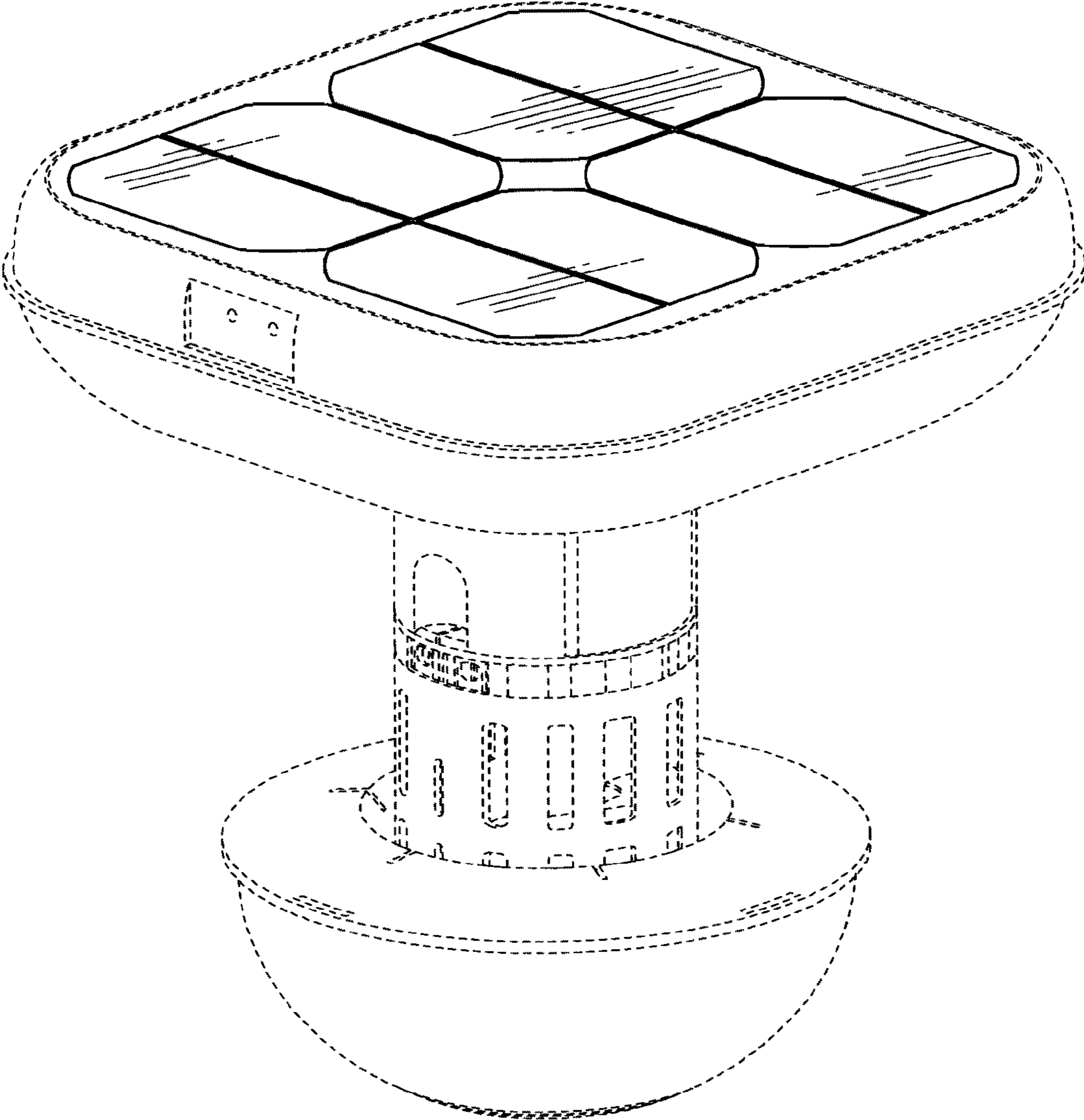


FIG. 1

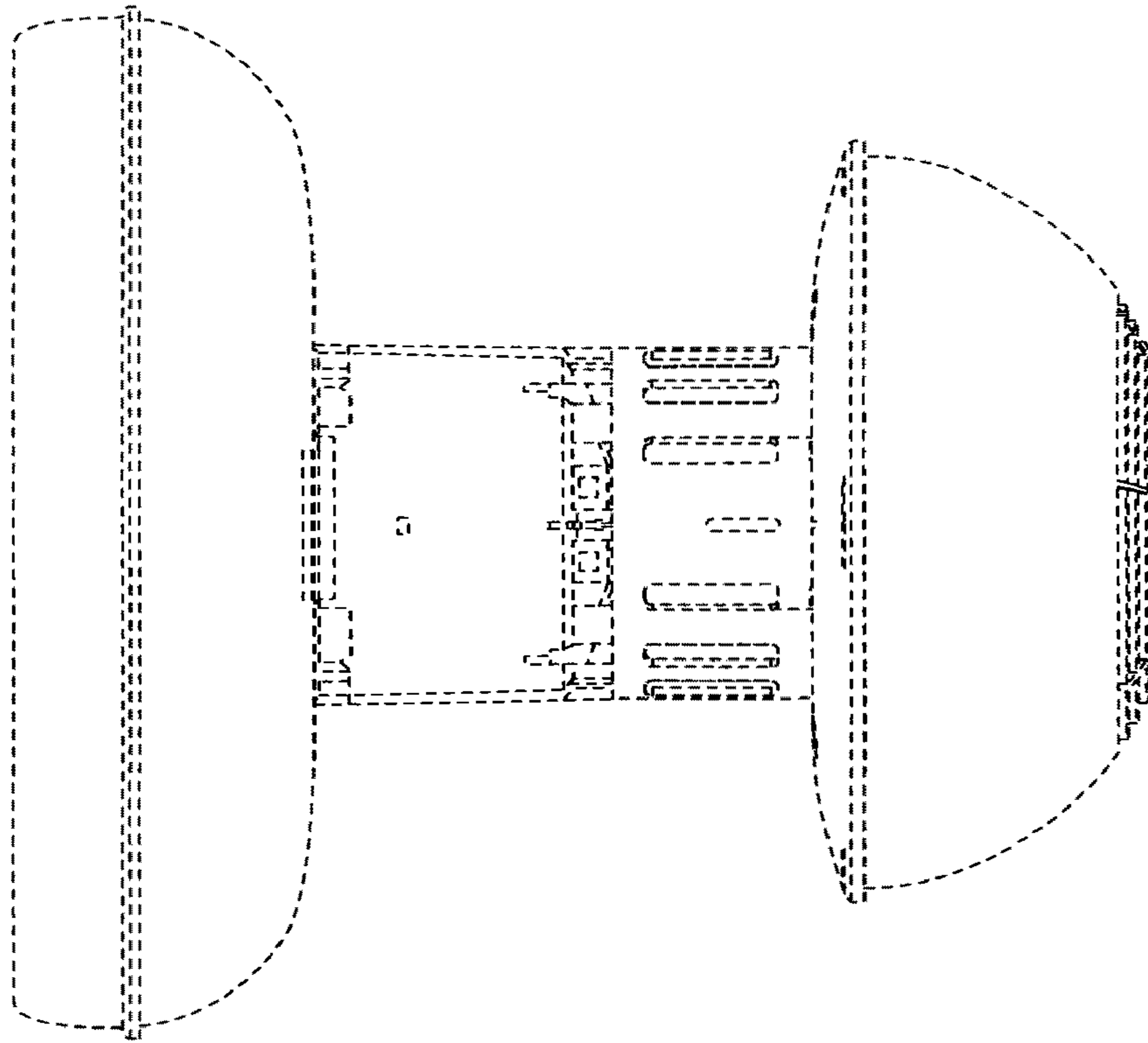


FIG. 2

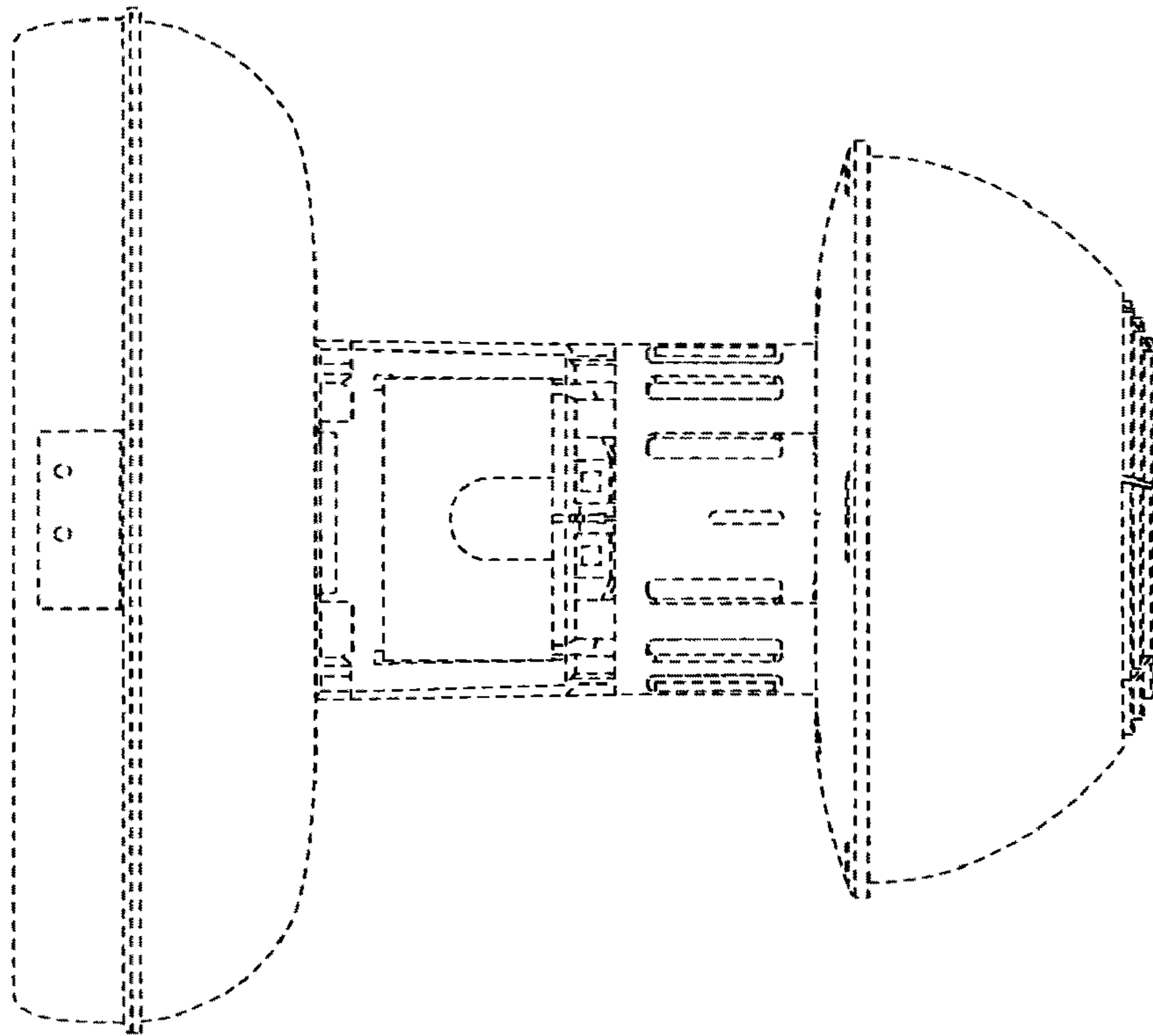


FIG. 3

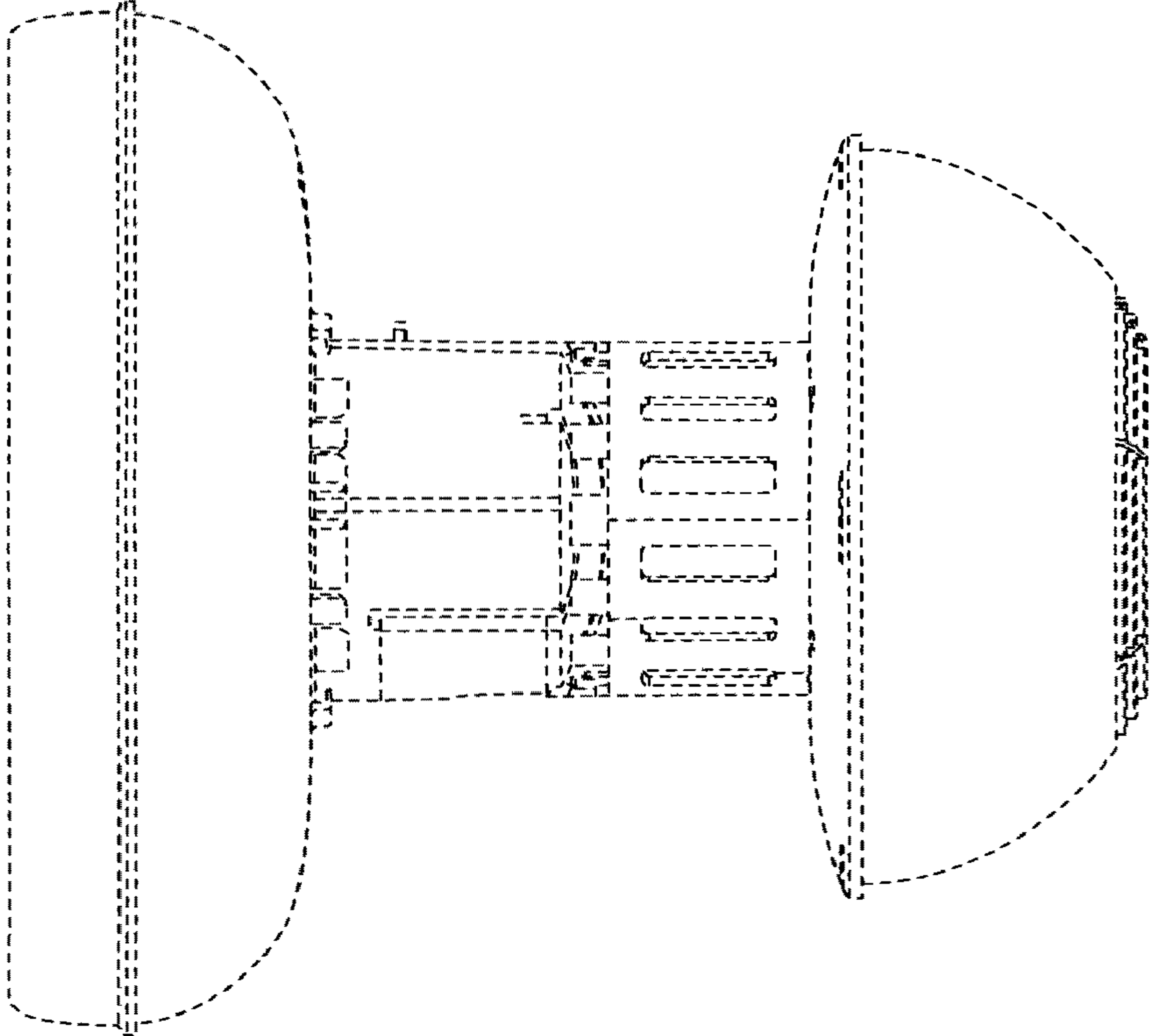


FIG. 5

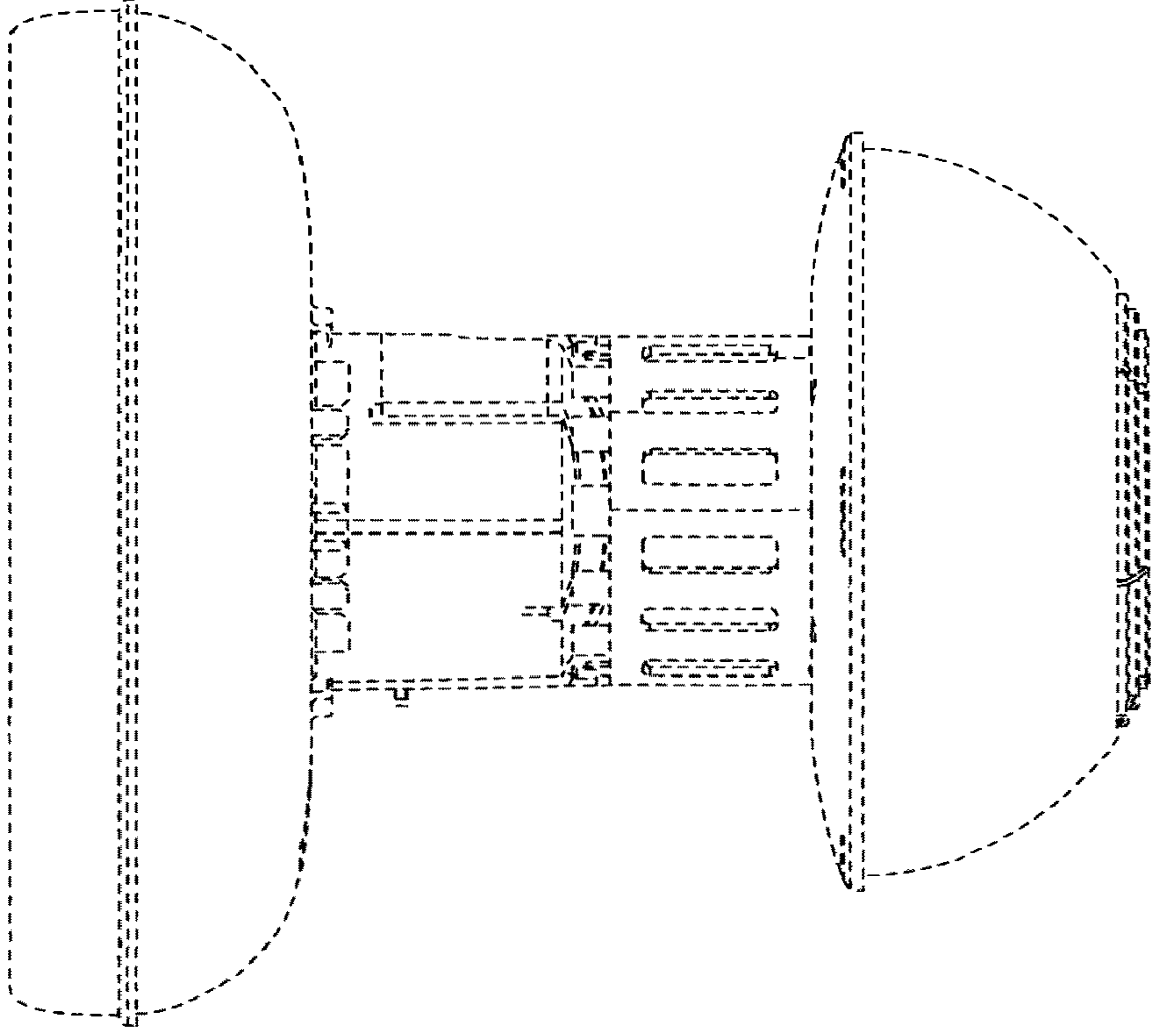


FIG. 4

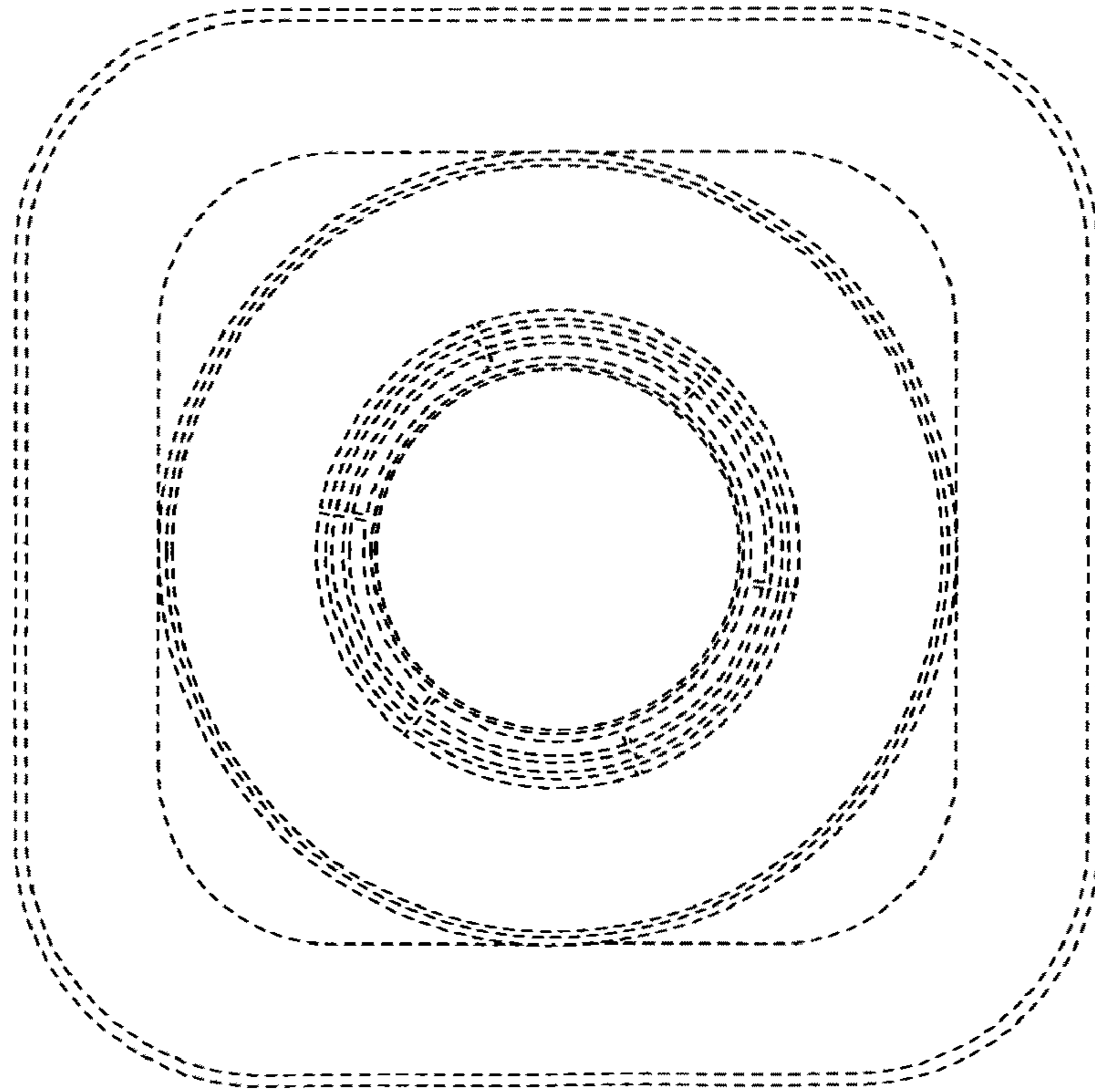


FIG. 7

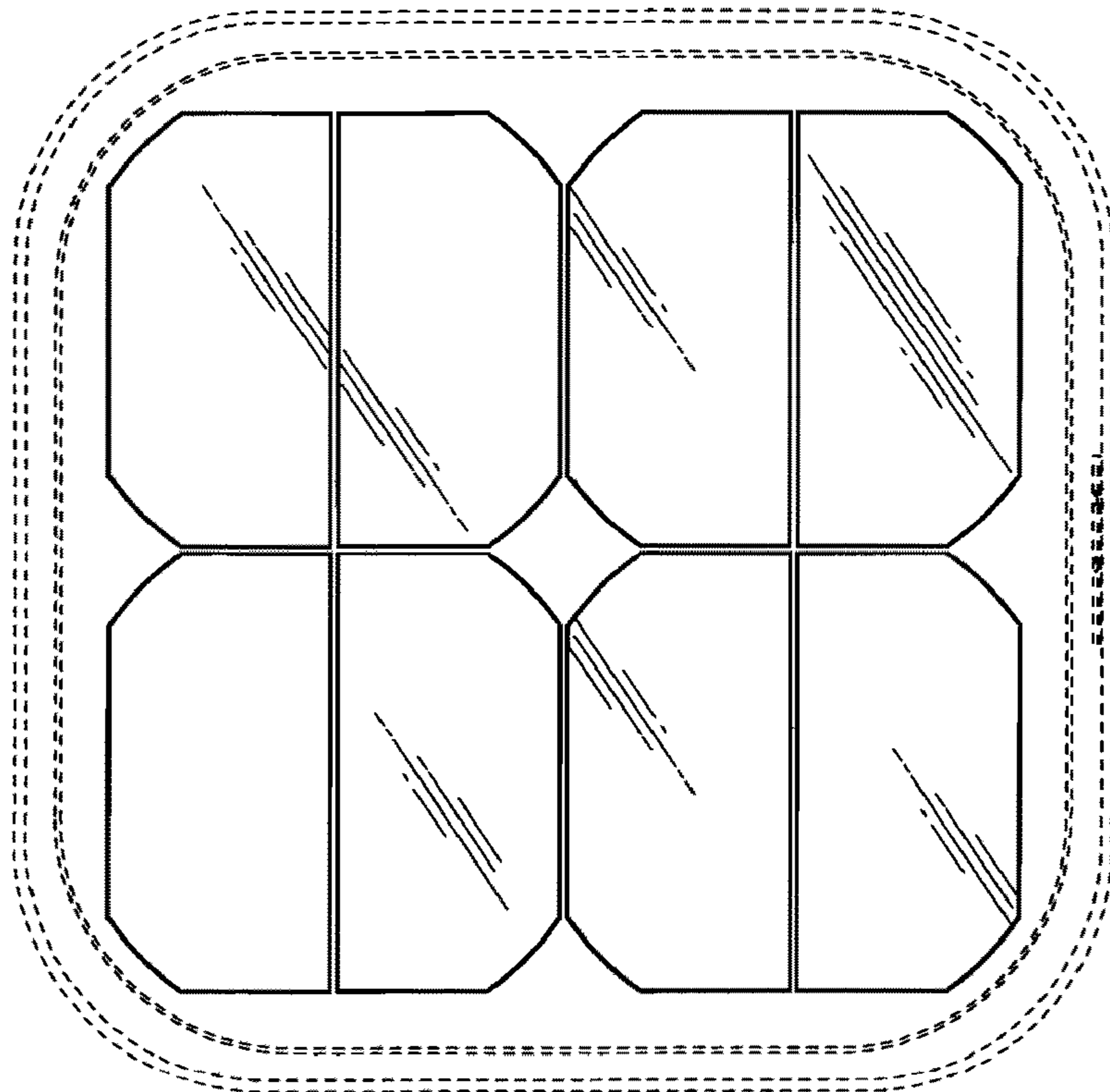


FIG. 6