



US00D652370S

(12) **United States Design Patent**
Buchinger-Barnstorf

(10) **Patent No.:** **US D652,370 S**
(45) **Date of Patent:** **** Jan. 17, 2012**

(54) **TIRE TREAD FOR A VEHICLE TIRE**

D588,528 S * 3/2009 de Barsy D12/588
D608,727 S * 1/2010 Brown et al. D12/583
7,836,926 B2 * 11/2010 Suzuki 152/209.18

(75) Inventor: **Thomas Buchinger-Barnstorf,**
Wennigsen (DE)

(73) Assignee: **Continental Reifen Deutschland**
GmbH, Hanover (DE)

(**) Term: **14 Years**

(21) Appl. No.: **29/344,313**

(22) Filed: **Sep. 28, 2009**

(30) **Foreign Application Priority Data**

Jun. 23, 2009 (EP) 001558198

(51) **LOC (9) Cl.** **12-15**

(52) **U.S. Cl.** **D12/588; D12/590; D12/900**

(58) **Field of Classification Search** D12/500,
D12/502, 503, 568, 571, 574, 577-579, 586-591,
D12/604, 900, 901; 152/209.1, 209.3, 209.18,
152/209.19, 209.22, 209.25, 209.27, 209.28
See application file for complete search history.

(56) **References Cited**

U.S. PATENT DOCUMENTS

D51,996 S * 4/1918 Shriver D12/578
D183,741 S * 10/1958 Herzegh D12/590
D394,029 S * 5/1998 Gillard et al. D12/588
D429,480 S * 8/2000 Bonko D12/500
D481,671 S * 11/2003 Feider et al. D12/601

OTHER PUBLICATIONS

Continental TouringContact AS Tire; 2005 Tread Design Guide, P. 13, Row 2, Item 2.*
Double Coin RT 500 Tire; 2006 Tread Design Guide, P. 109, Row 2, Item 2.*
Westlake CR976A Tire; 2006 Tread Design Guide, P. 139, Row 2, Item 4.*

* cited by examiner

Primary Examiner — Garth Rademaker

(74) *Attorney, Agent, or Firm* — Laurence A. Greenberg;
Werner H. Stemer; Ralph E. Locher

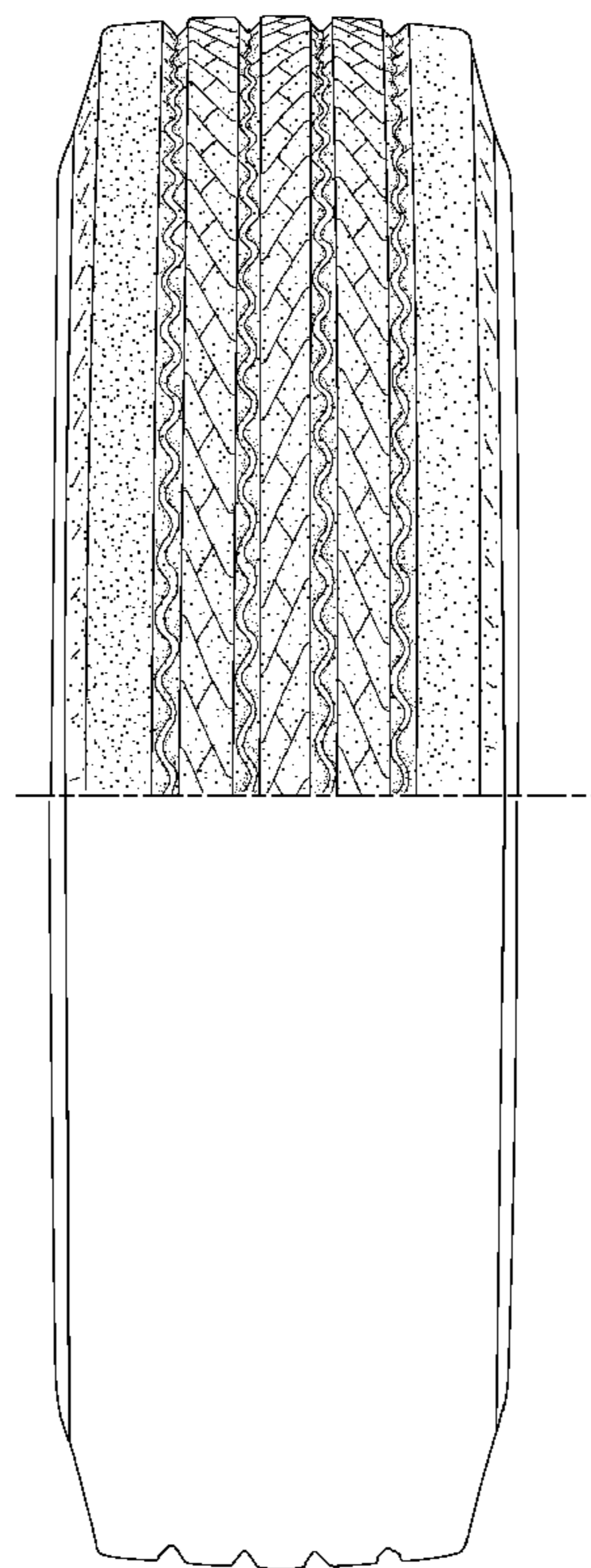
(57) **CLAIM**

The ornamental design for a tire tread for a vehicle tire, as shown and described.

DESCRIPTION

FIG. 1 is a perspective view of a tire tread for a vehicle tire, showing my new design;
FIG. 2 is a front elevational view thereof;
FIG. 3 is a side elevational view thereof; and,
FIG. 4 is an enlarged partial front view thereof.
The vehicle tire pattern is repeated uniformly around the circumference of the structure. The dash-dot lines showing the boundaries of the illustrated detail and the broken lines depicting the sidewall of the tire do not form part of the claim.

1 Claim, 4 Drawing Sheets



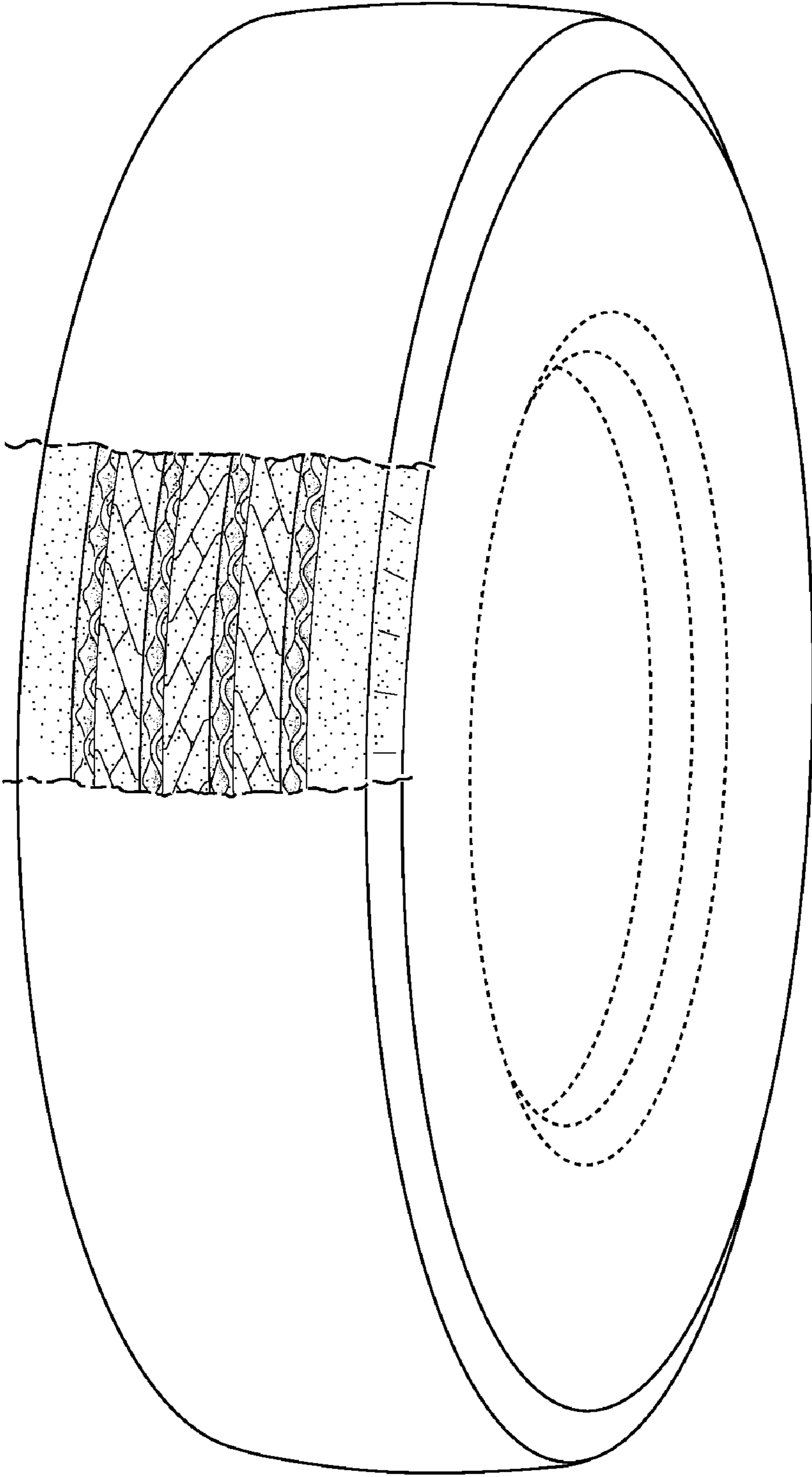


FIG. 1

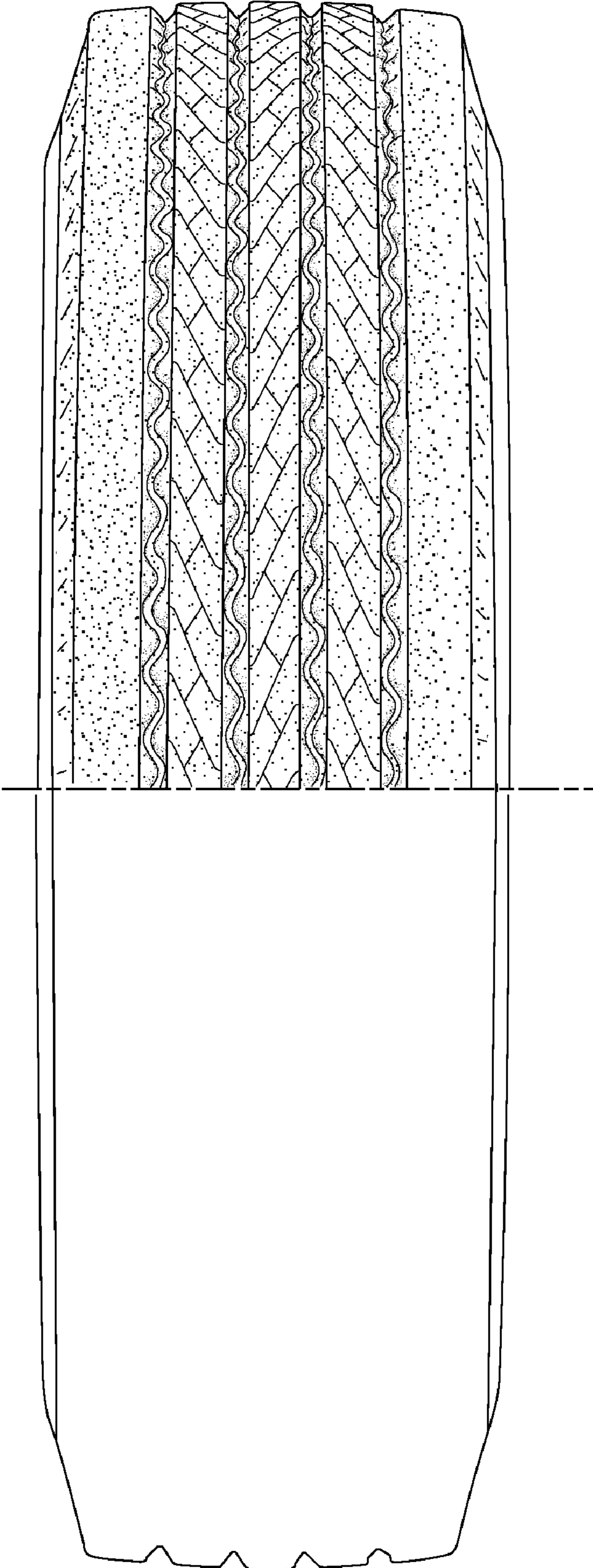


FIG. 2

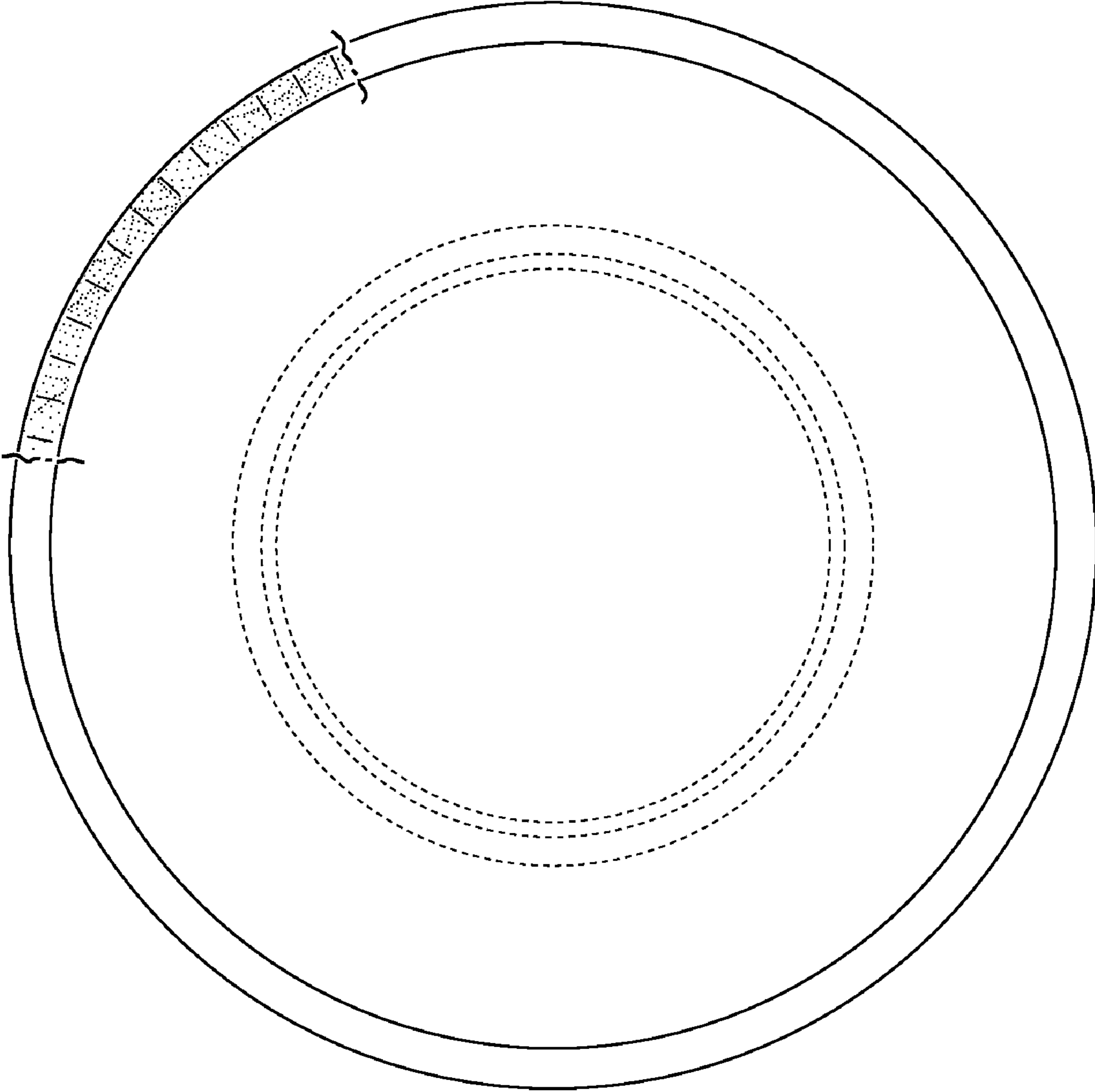


FIG. 3

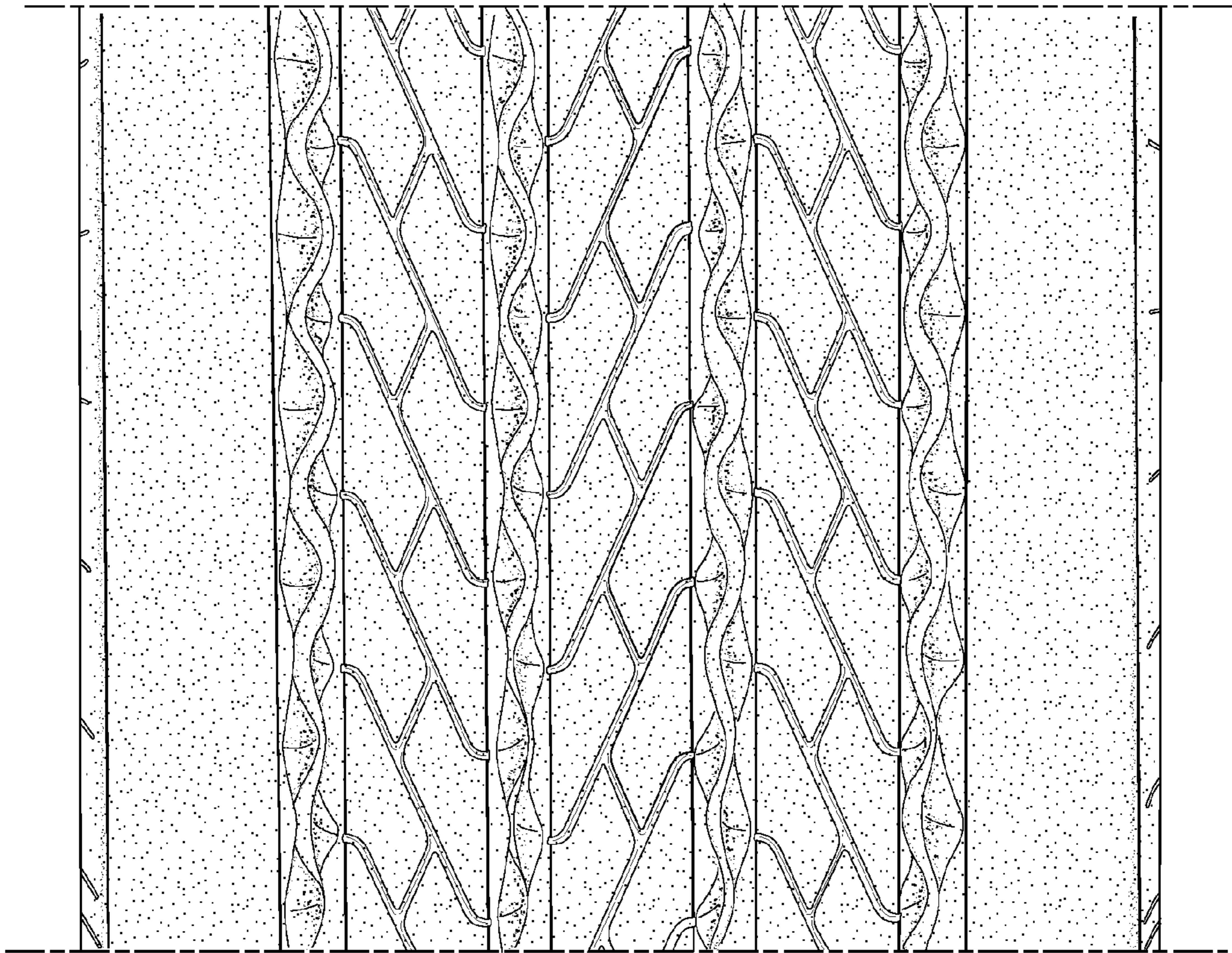


FIG. 4