



US00D652367S

(12) **United States Design Patent**
Lange et al.

(10) **Patent No.:** **US D652,367 S**

(45) **Date of Patent:** **** Jan. 17, 2012**

(54) **TIRE TREAD FOR A VEHICLE TIRE**

D605,581 S * 12/2009 Yamaguchi et al. D12/594
D610,968 S * 3/2010 Godeau et al. D12/583
D615,483 S * 5/2010 Godeau D12/598

(75) Inventors: **Bernd Lange**, Bückeberg (DE); **Thomas Buchinger-Barnstorf**, Wennigsen (DE)

OTHER PUBLICATIONS

(73) Assignee: **Continental Aktiengesellschaft**, Hannover (DE)

Maxxis Bravo MA-752 Tire; 2005 Tread Design Guide, p. 82, Row 3, Item 4.*
Co-Op Superfleet Drive CM980; 2005 Tread Design Guide, p. 104, Row 3, Item 2.*
Goodyear Unisteel G443 Tire; 2005 Tread Design Guide, p. 114, Row 1, Item 2.*

(**) Term: **14 Years**

* cited by examiner

(21) Appl. No.: **29/344,314**

(22) Filed: **Sep. 28, 2009**

Primary Examiner — Garth Rademaker

(30) **Foreign Application Priority Data**

(74) *Attorney, Agent, or Firm* — Laurence A. Greenberg; Werner H. Stemer; Ralph E. Locher

Jun. 23, 2009 (EM) 001558222

(51) **LOC (9) Cl.** **12-15**

(57) **CLAIM**

(52) **U.S. Cl.** **D12/574; D12/602**

The ornamental design for a tire tread of a vehicle tire, as shown and described.

(58) **Field of Classification Search** D12/500, D12/502, 568, 571, 574, 577-579, 586-604, D12/900, 901; 152/209.1, 209.3, 209.18, 152/209.19, 209, 22, 209.25, 209.27, 209.28
See application file for complete search history.

DESCRIPTION

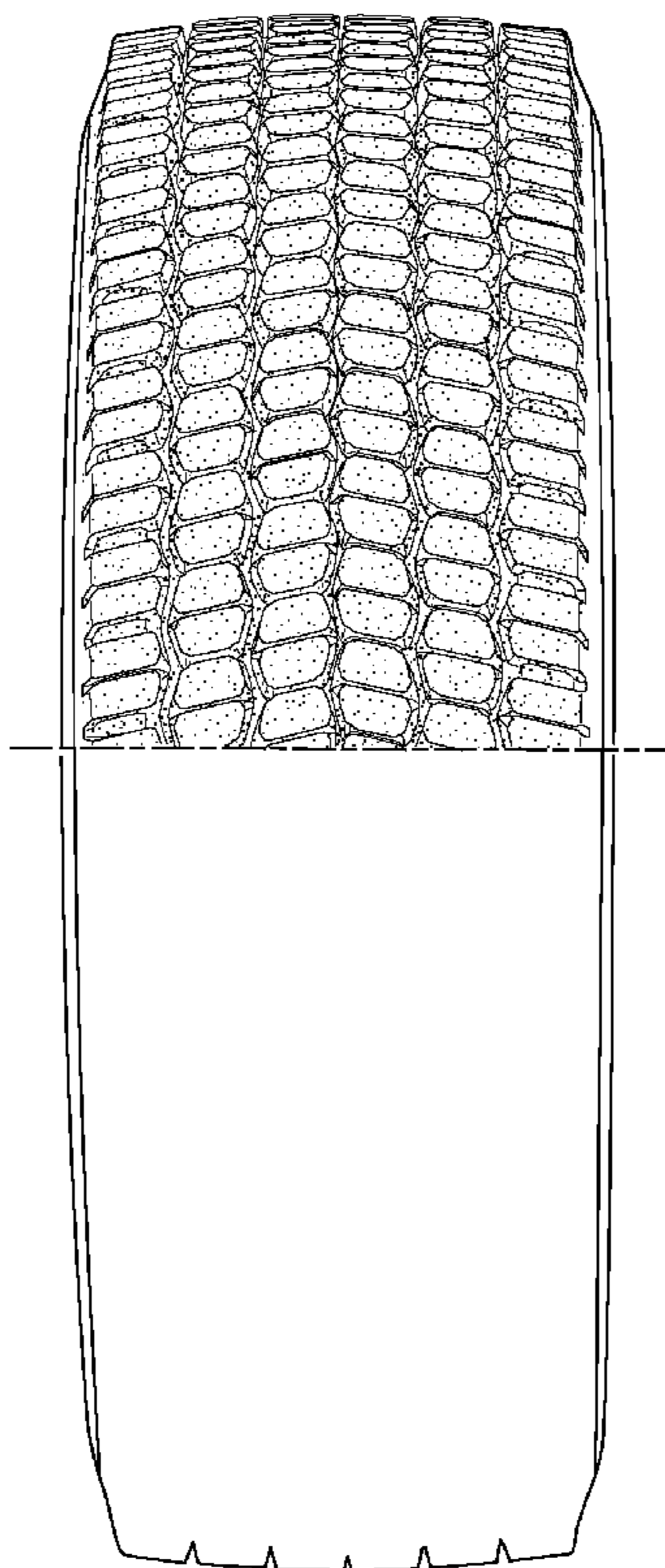
(56) **References Cited**

FIG. 1 is a perspective view of a tire tread for a vehicle tire, showing our new design;
FIG. 2 is a front elevational view thereof;
FIG. 3 is a side elevational view thereof; and,
FIG. 4 is an enlarged partial front view thereof.
The vehicle tire pattern is repeated uniformly around the circumference of the structure. The dash-dot lines showing the boundaries of the illustrated detail and the broken lines depicting the sidewall of the tire do not form part of the claim.

U.S. PATENT DOCUMENTS

D350,101 S * 8/1994 de Barys D12/574
D388,040 S * 12/1997 de Barys D12/574
D452,200 S * 12/2001 Campana et al. D12/598
D526,954 S * 8/2006 Godeau D12/539
D550,147 S * 9/2007 Radulescu D12/545

1 Claim, 4 Drawing Sheets



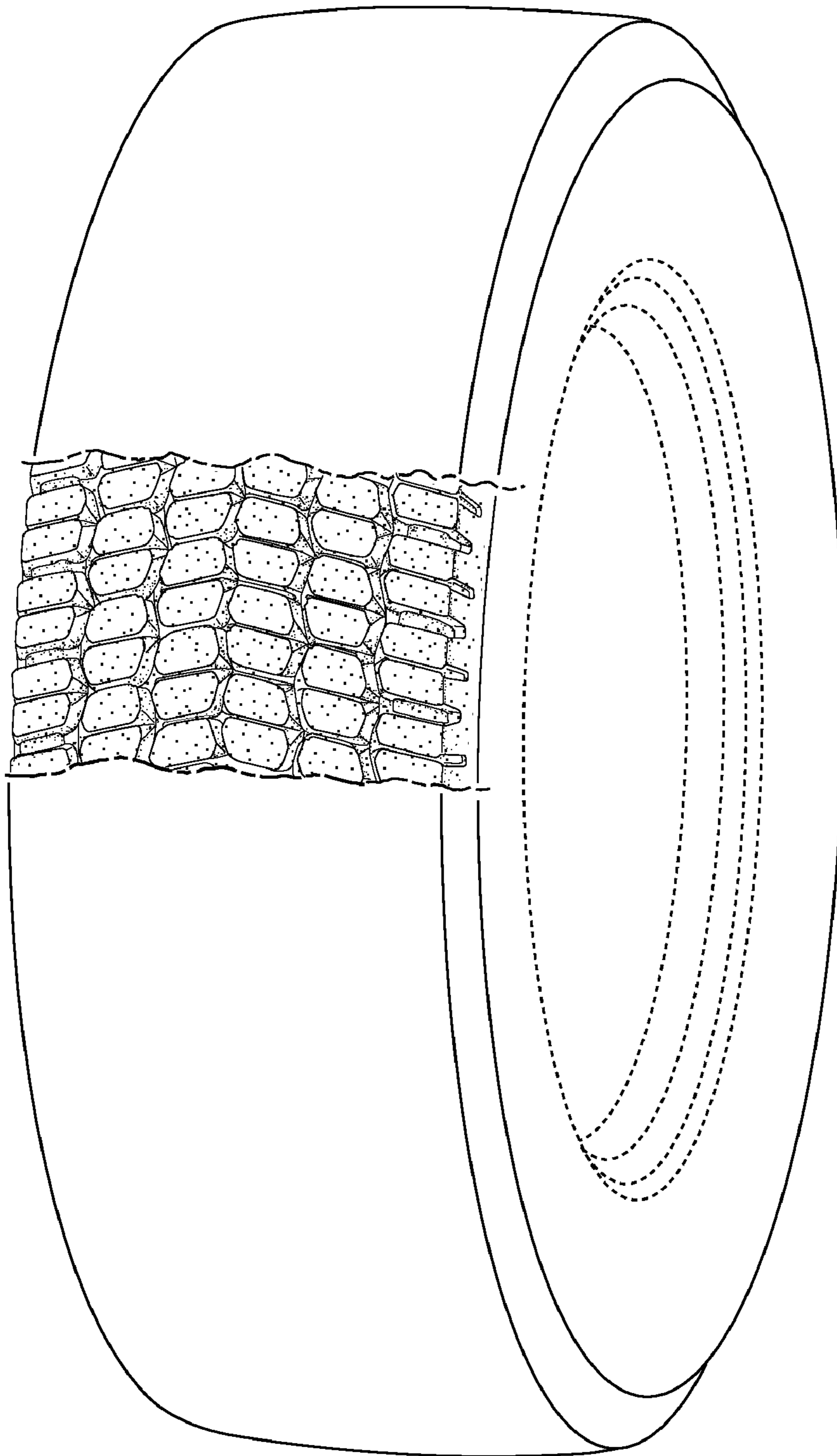


FIG. 1

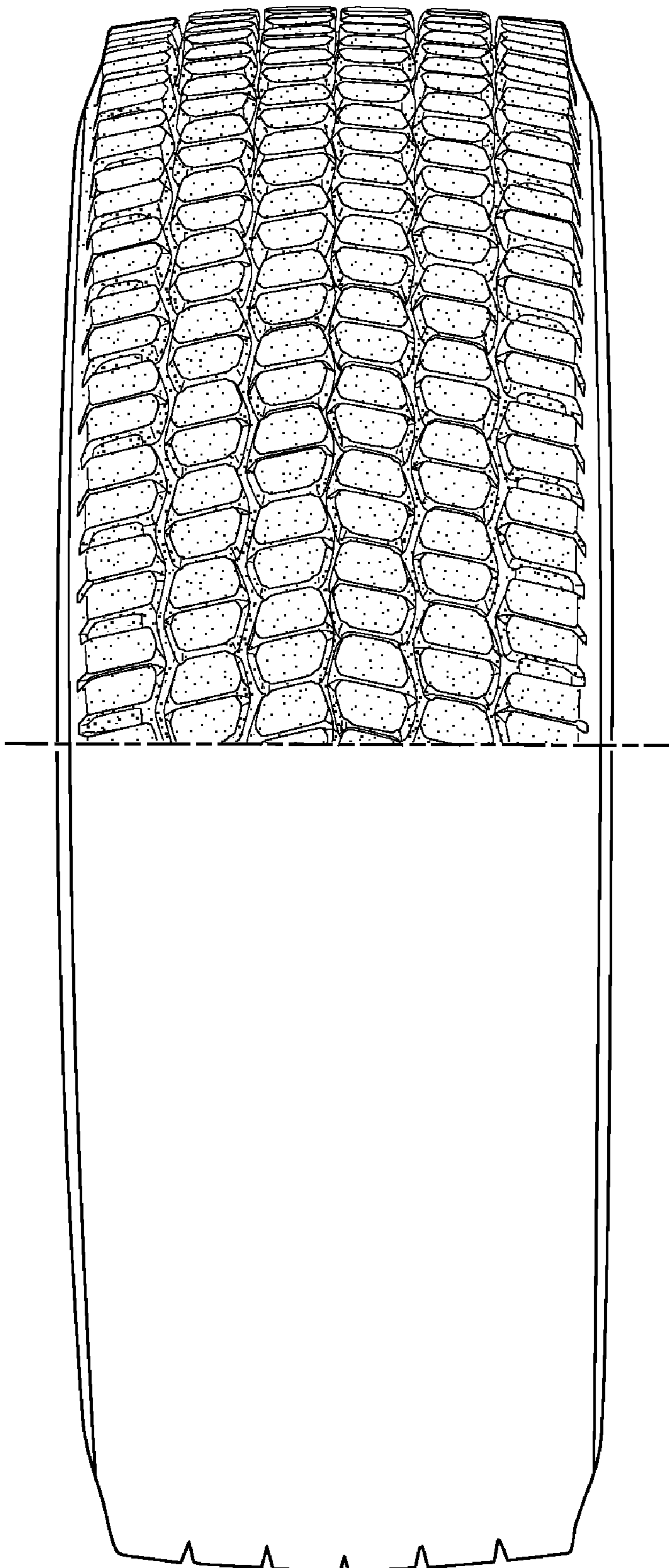


FIG. 2

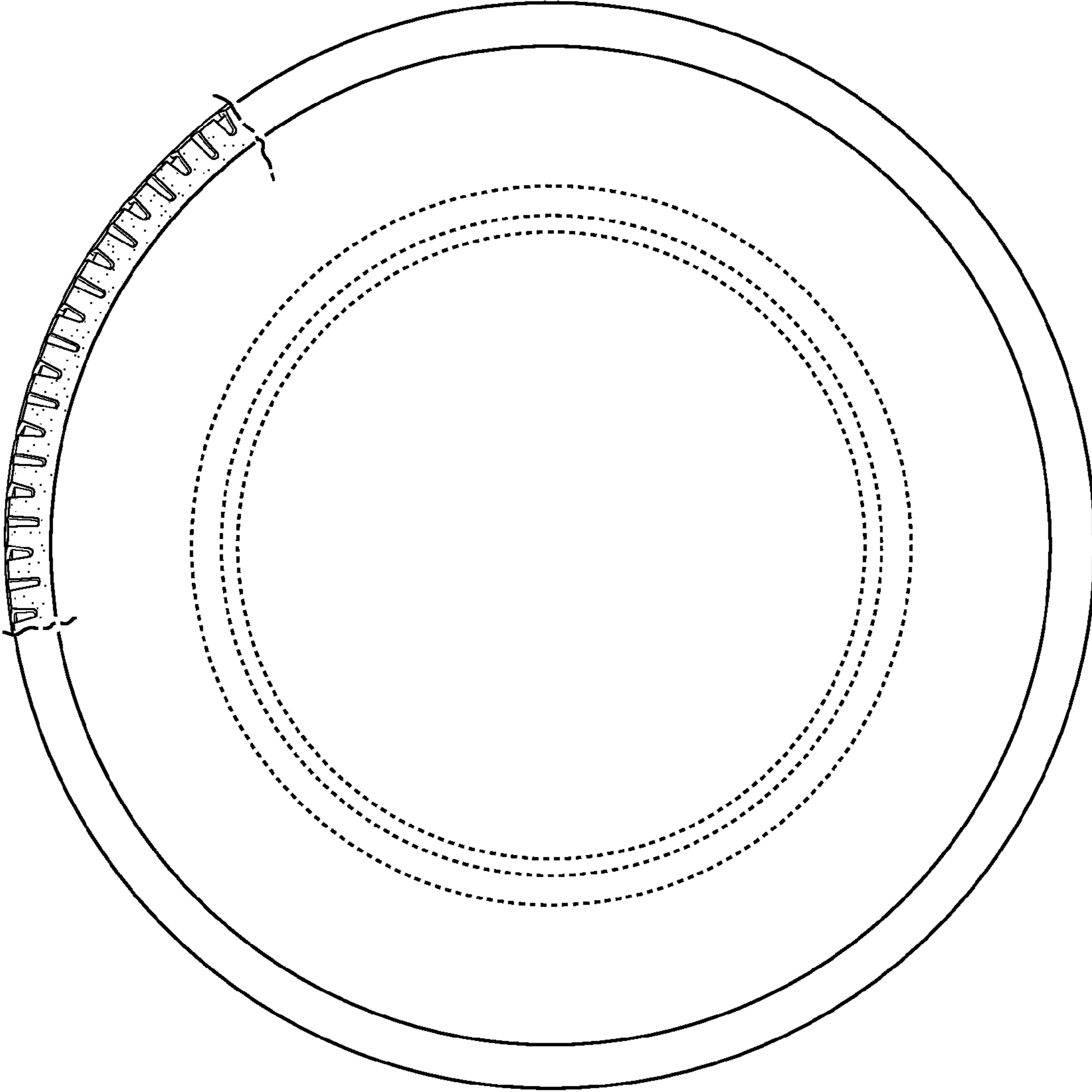


FIG. 3

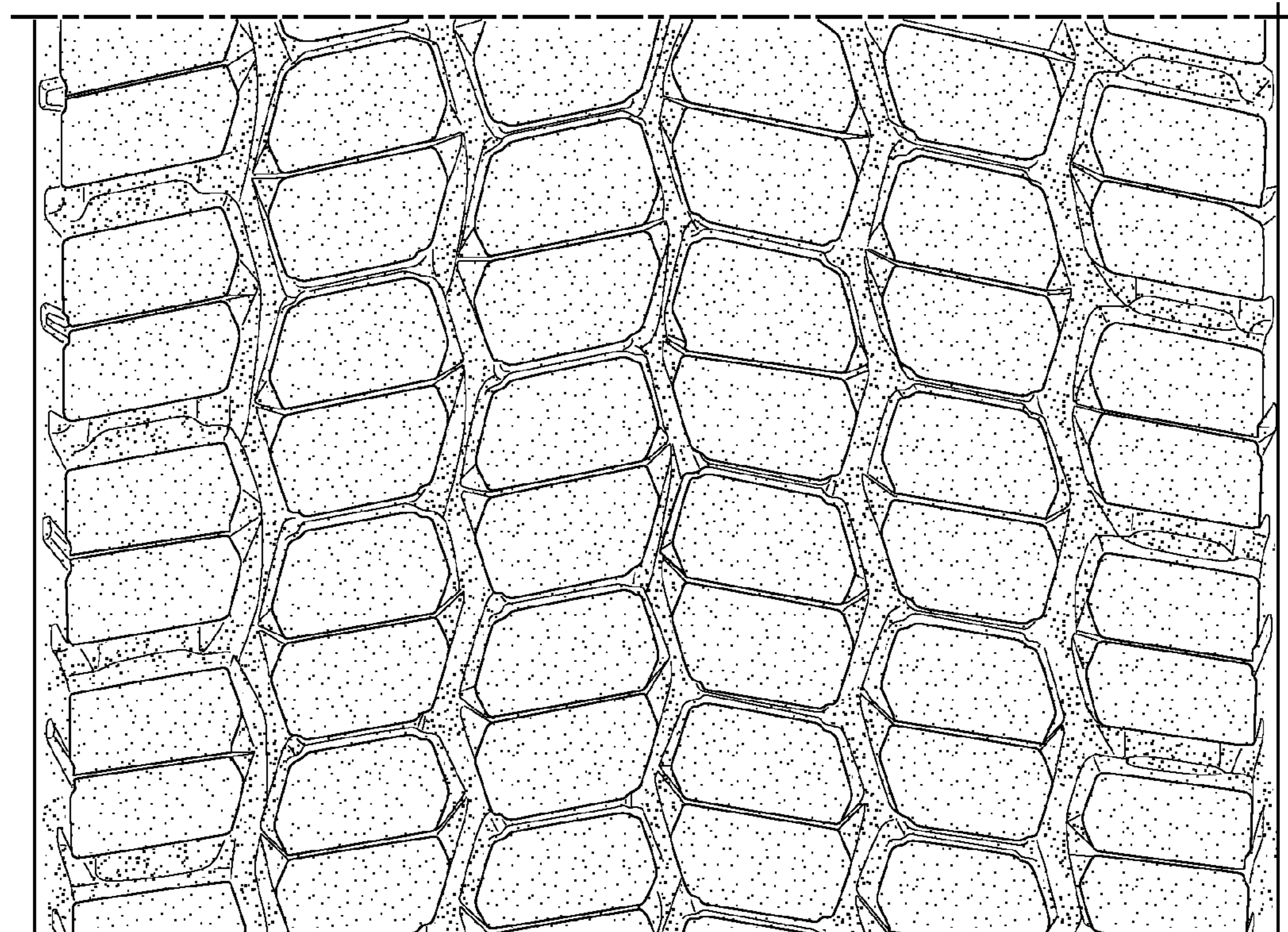


FIG. 4