



US00D652364S

(12) **United States Design Patent**
Zhao

(10) **Patent No.:** **US D652,364 S**
(45) **Date of Patent:** **** Jan. 17, 2012**

(54) **FRONT FACE OF A VEHICLE WHEEL**

(76) Inventor: **John Zhao**, Monterey Park, CA (US)

(**) Term: **14 Years**

(21) Appl. No.: **29/366,607**

(22) Filed: **Jul. 27, 2010**

(51) **LOC (9) Cl.** **12-16**

(52) **U.S. Cl.** **D12/211**

(58) **Field of Classification Search** D12/204-213;
301/37.101, 64.101, 65, 64.201

See application file for complete search history.

(56) **References Cited**

U.S. PATENT DOCUMENTS

D438,504 S *	3/2001	Muzzarelli	D12/211
D449,267 S *	10/2001	Fitzgerald	D12/211
D470,449 S *	2/2003	Bernoni	D12/211
D481,984 S *	11/2003	Sulahian	D12/211
D488,763 S *	4/2004	Takechi	D12/211
D507,518 S *	7/2005	Scheu	D12/209

D518,766 S *	4/2006	Burns	D12/211
D582,828 S *	12/2008	Young	D12/211
D585,808 S *	2/2009	Hetrick	D12/211
D603,778 S *	11/2009	Chung	D12/211
D617,721 S *	6/2010	Zhao	D12/211
D619,074 S *	7/2010	Zhao	D12/211

* cited by examiner

Primary Examiner — Stacia Cadmus

(74) *Attorney, Agent, or Firm* — Procopio, Cory, Hargreaves & Savitch LLP

(57) **CLAIM**

The ornamental design for a front face of a vehicle wheel, as shown and described.

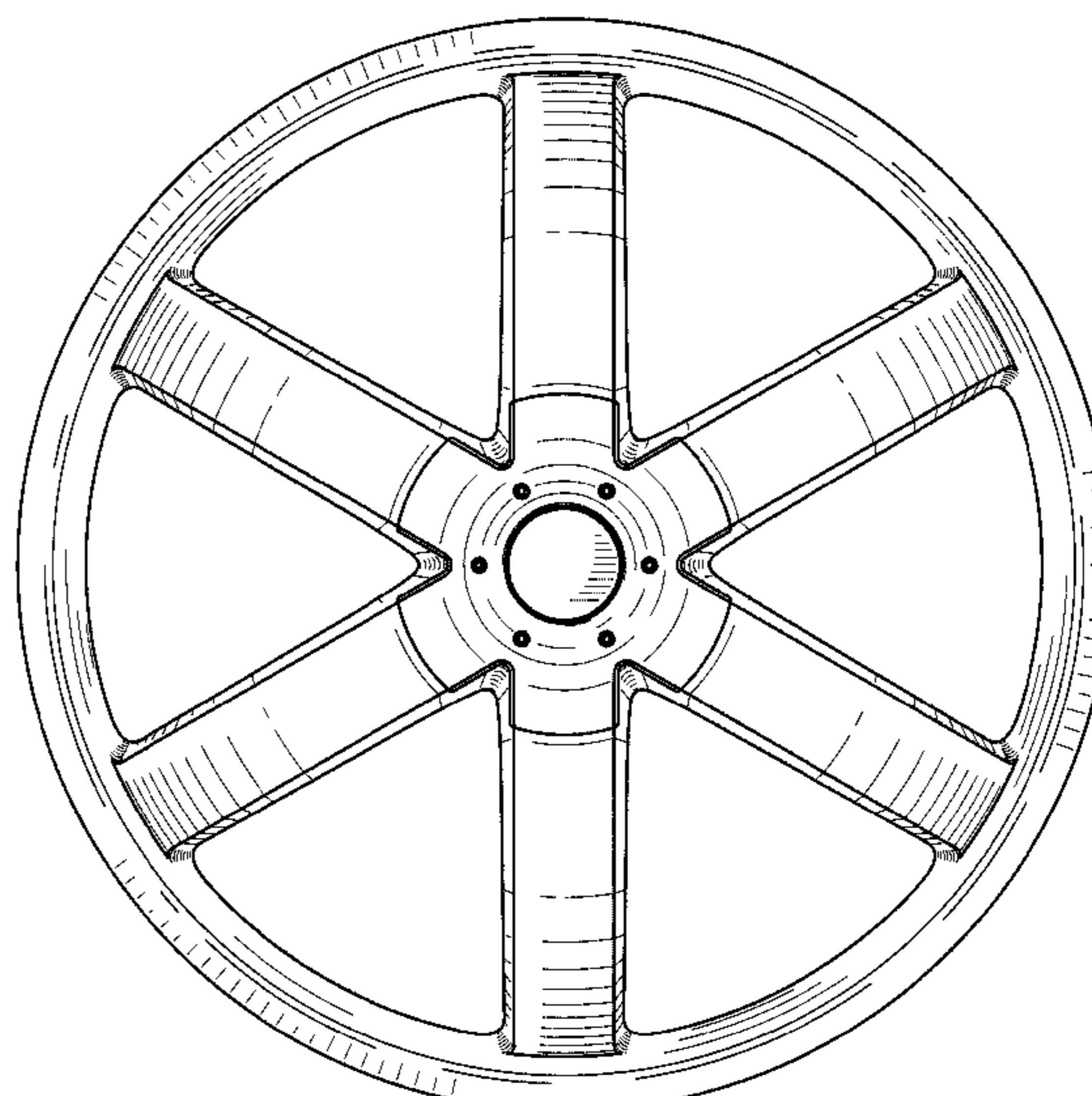
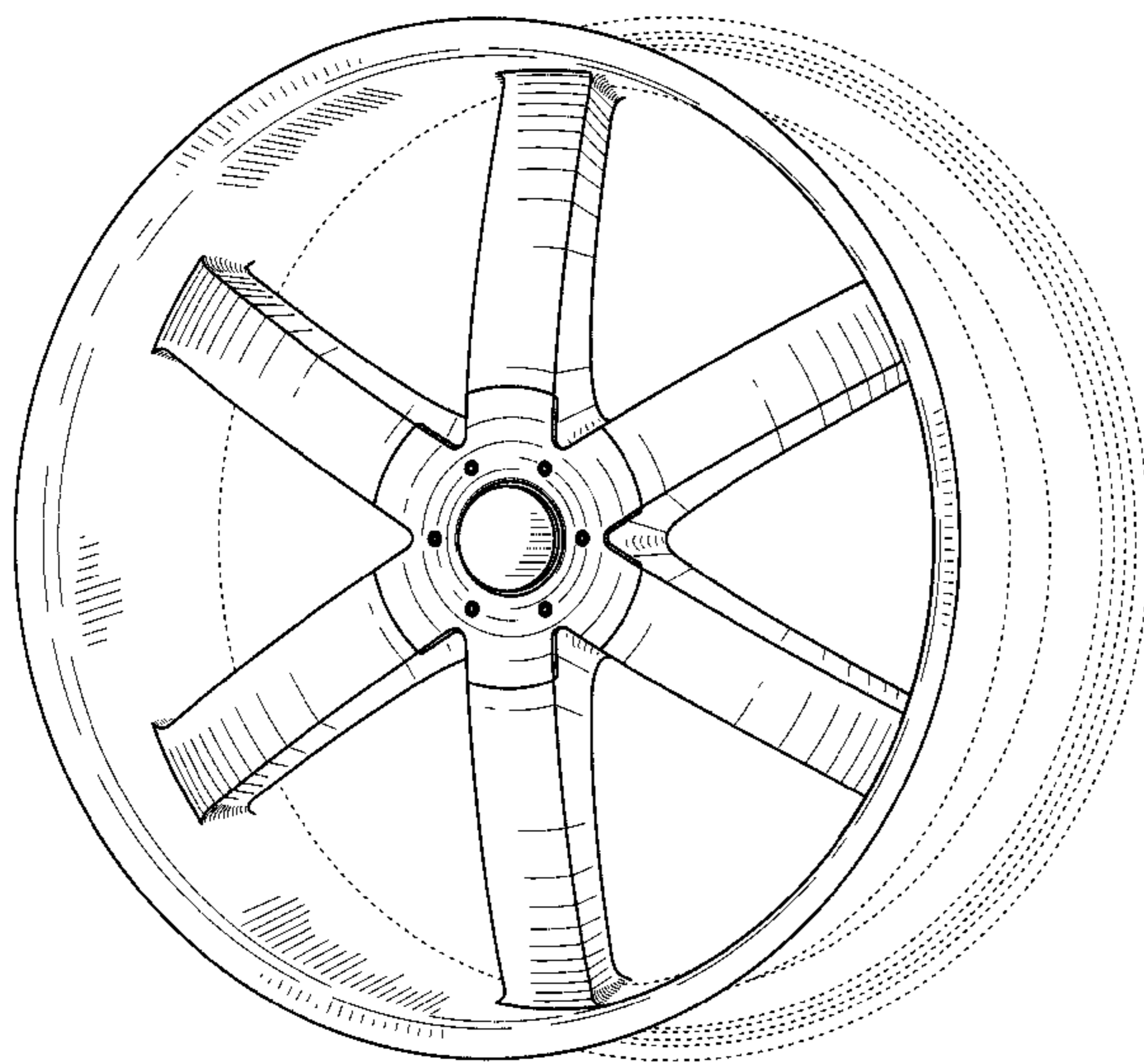
DESCRIPTION

FIG. 1 is a perspective view of a front face of a vehicle wheel embodying my new design; and,

FIG. 2 is a front view thereof.

The broken lines are for illustrative purposes only and form no part of the claimed design.

1 Claim, 2 Drawing Sheets



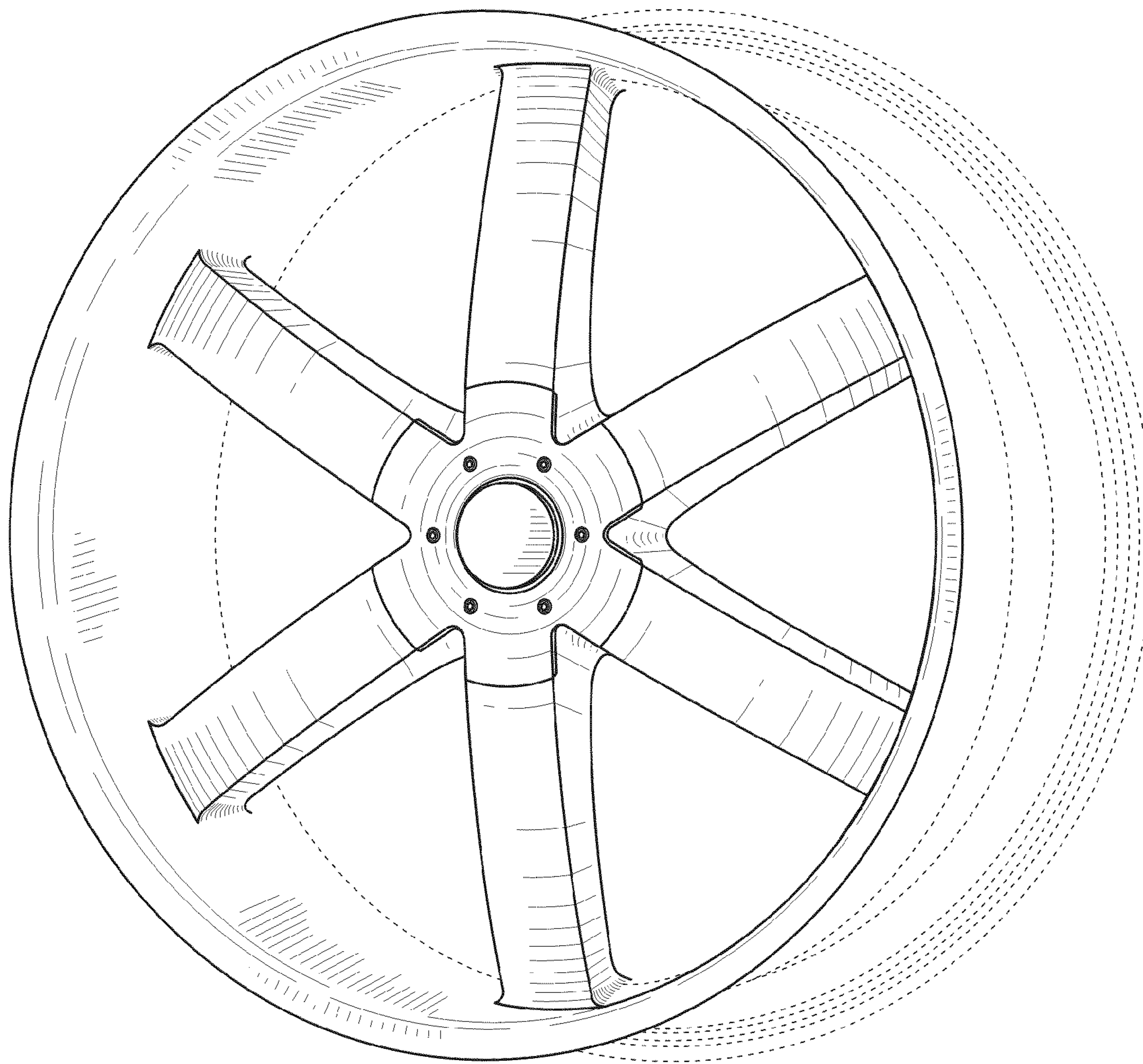


FIG. 1

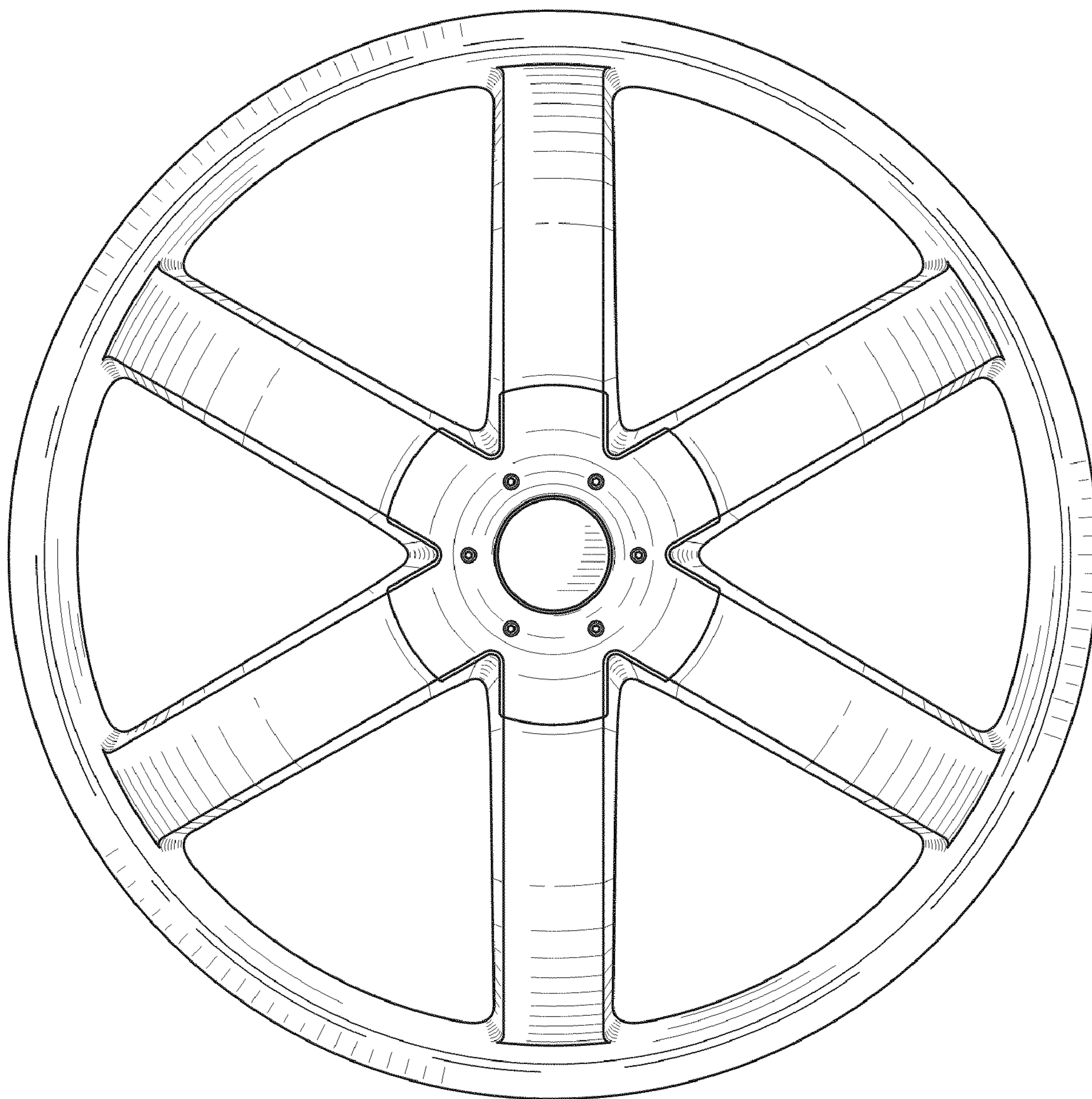


FIG. 2