



US00D652358S

(12) **United States Design Patent**
Hodges

(10) **Patent No.:** **US D652,358 S**

(45) **Date of Patent:** **** *Jan. 17, 2012**

(54) **FENDER**

(76) Inventor: **Francisco J. Hodges**, Yorba Linda, CA
(US)

(*) Notice: This patent is subject to a terminal disclaimer.

(**) Term: **14 Years**

(21) Appl. No.: **29/387,120**

(22) Filed: **Mar. 9, 2011**

(51) **LOC (9) Cl.** **12-08**

(52) **U.S. Cl.** **D12/181**

(58) **Field of Classification Search** D12/181,
D12/191, 196, 400, 190, 88; 280/727, 770,
280/848; 296/180.1-180.5, 91; 180/903
See application file for complete search history.

(56) **References Cited**

U.S. PATENT DOCUMENTS

- D345,332 S * 3/1994 Roman D12/184
- D346,577 S * 5/1994 Roman D12/184
- D347,614 S * 6/1994 DeBraal et al. D12/184

- 5,322,345 A * 6/1994 Desser et al. 297/214
- D354,264 S * 1/1995 McCoy D12/167
- D359,019 S * 6/1995 Kimball D12/168
- D372,449 S * 8/1996 Becker D12/184
- D409,964 S * 5/1999 Hanlon et al. D12/186
- D432,472 S * 10/2000 Tart D12/185
- D433,352 S * 11/2000 Boyd D12/106
- 6,203,066 B1 * 3/2001 Lewis 280/851
- D581,845 S * 12/2008 Longpre et al. D12/186

* cited by examiner

Primary Examiner — Caron D Veynar

Assistant Examiner — Katrina Kile

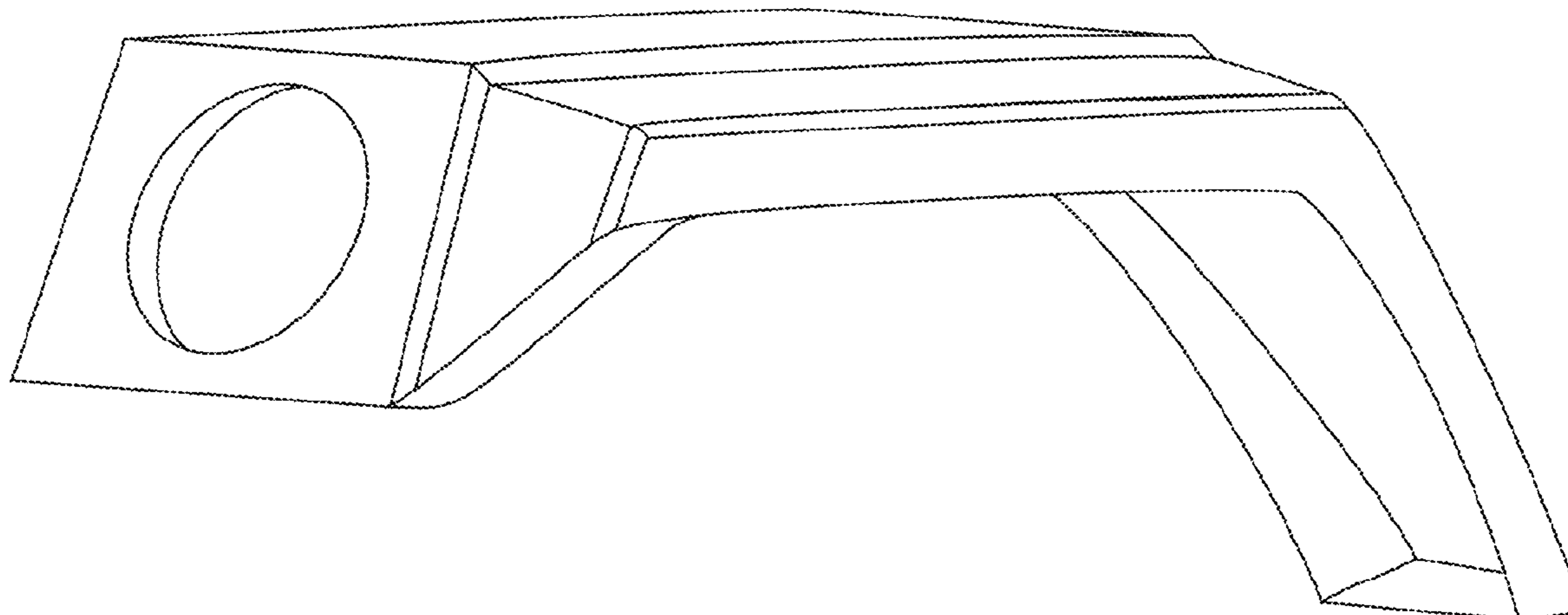
(57) **CLAIM**

The ornamental design for a fender, as shown.

DESCRIPTION

FIG. 1 is a front view of a fender showing of my new design;
FIG. 2 is a rear view thereof;
FIG. 3 is a top view thereof;
FIG. 4 is a bottom view thereof;
FIG. 5 is a left-side view thereof;
FIG. 6 is a right-side view thereof; and,
FIG. 7 is a perspective view thereof.

1 Claim, 7 Drawing Sheets



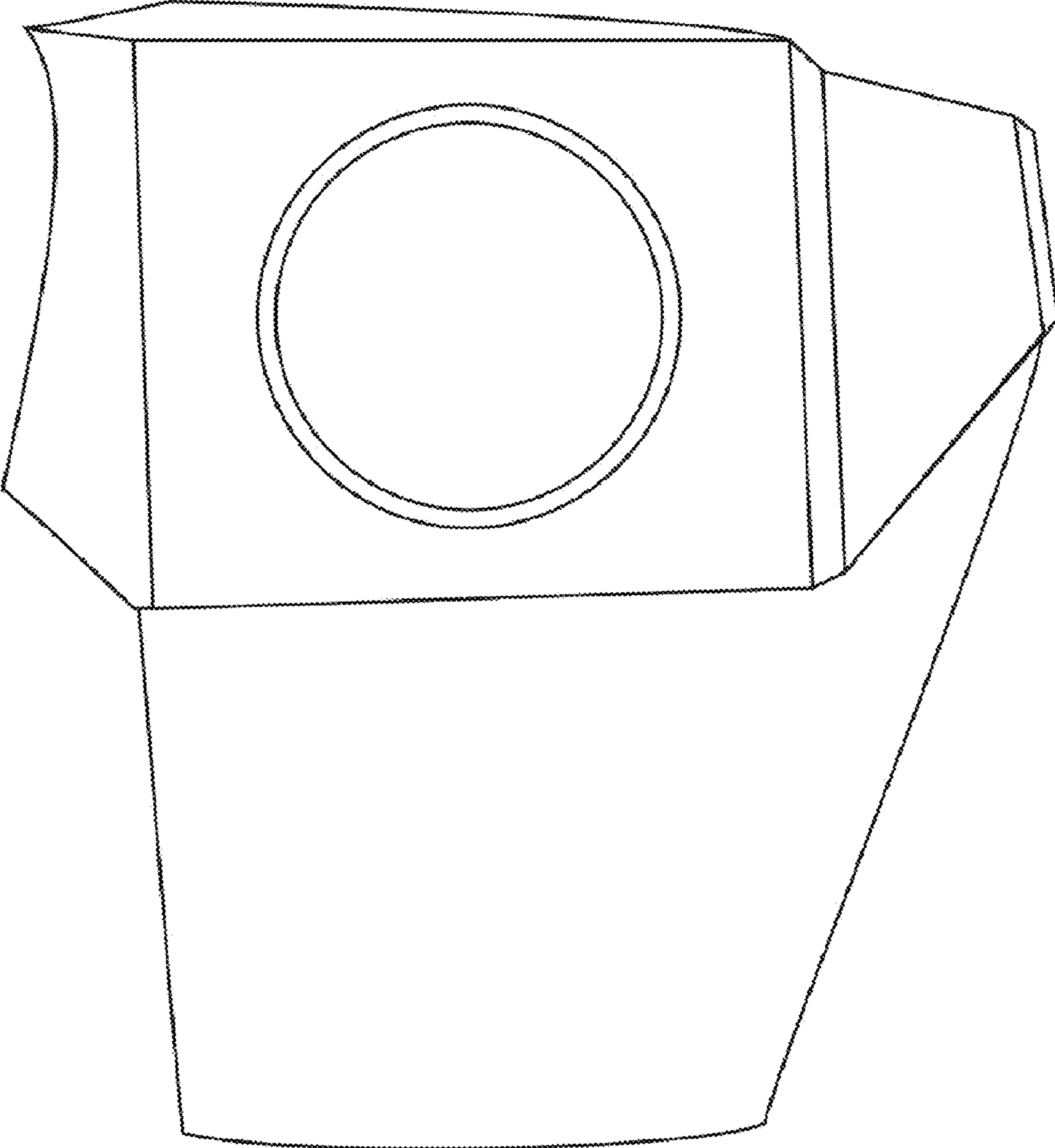


Fig. 1

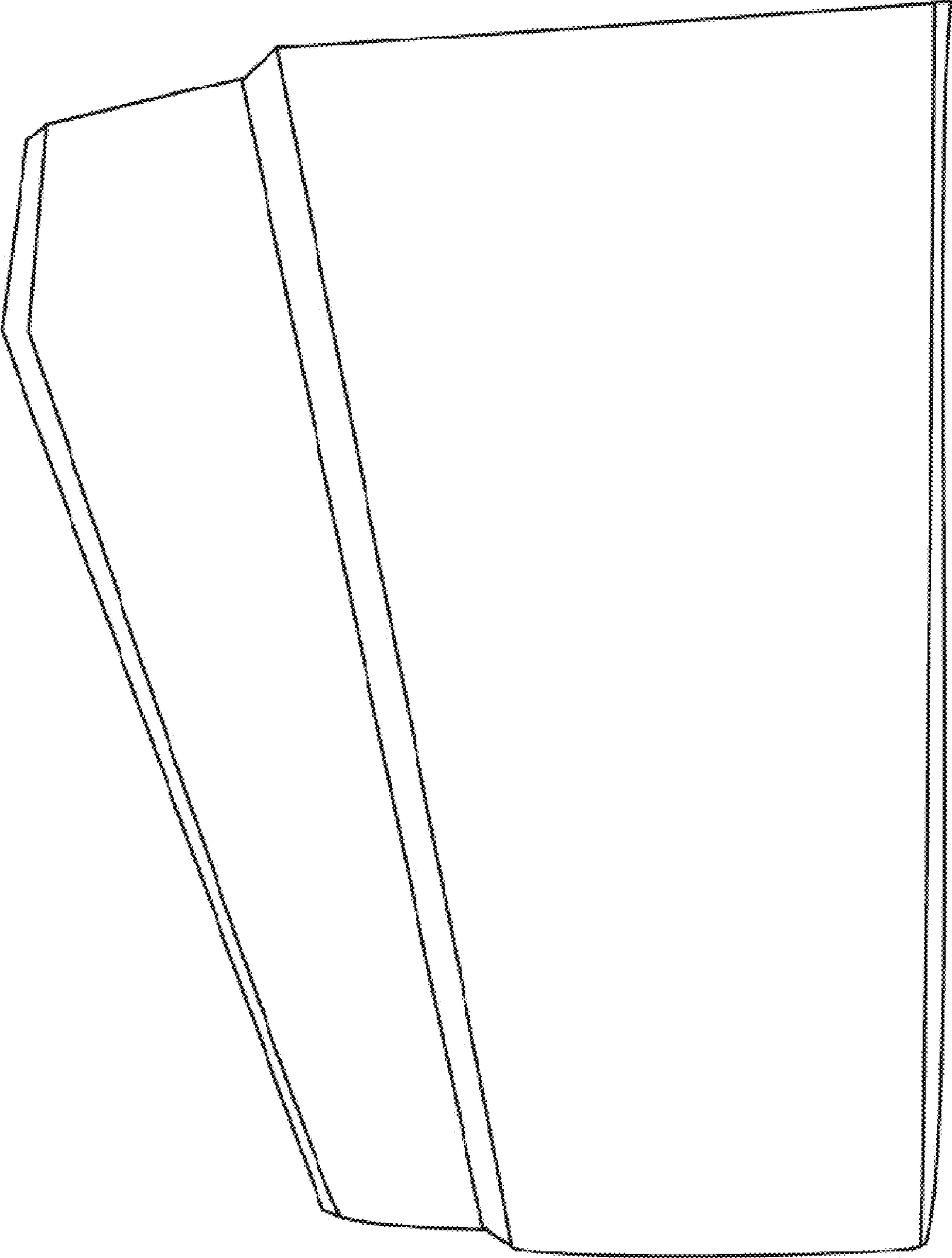


FIG. 2

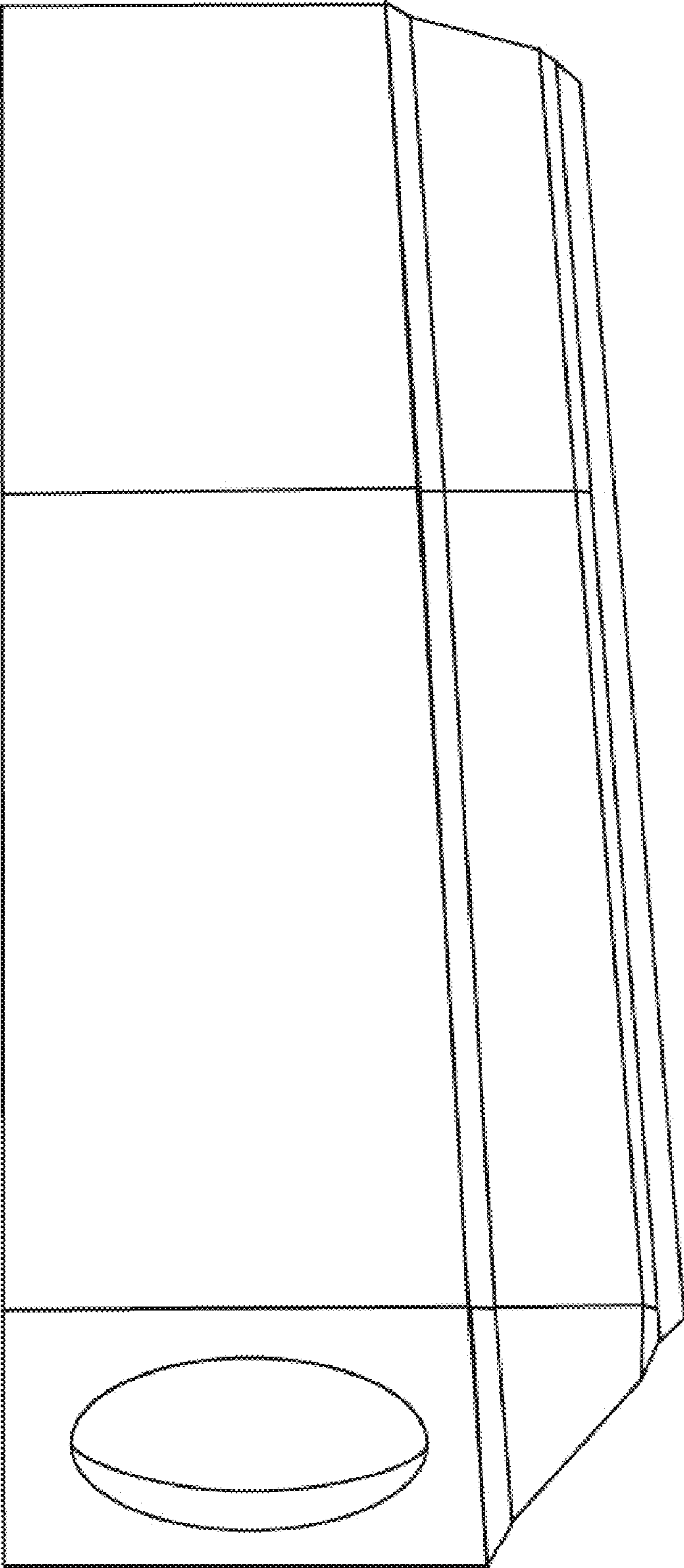


FIG. 3

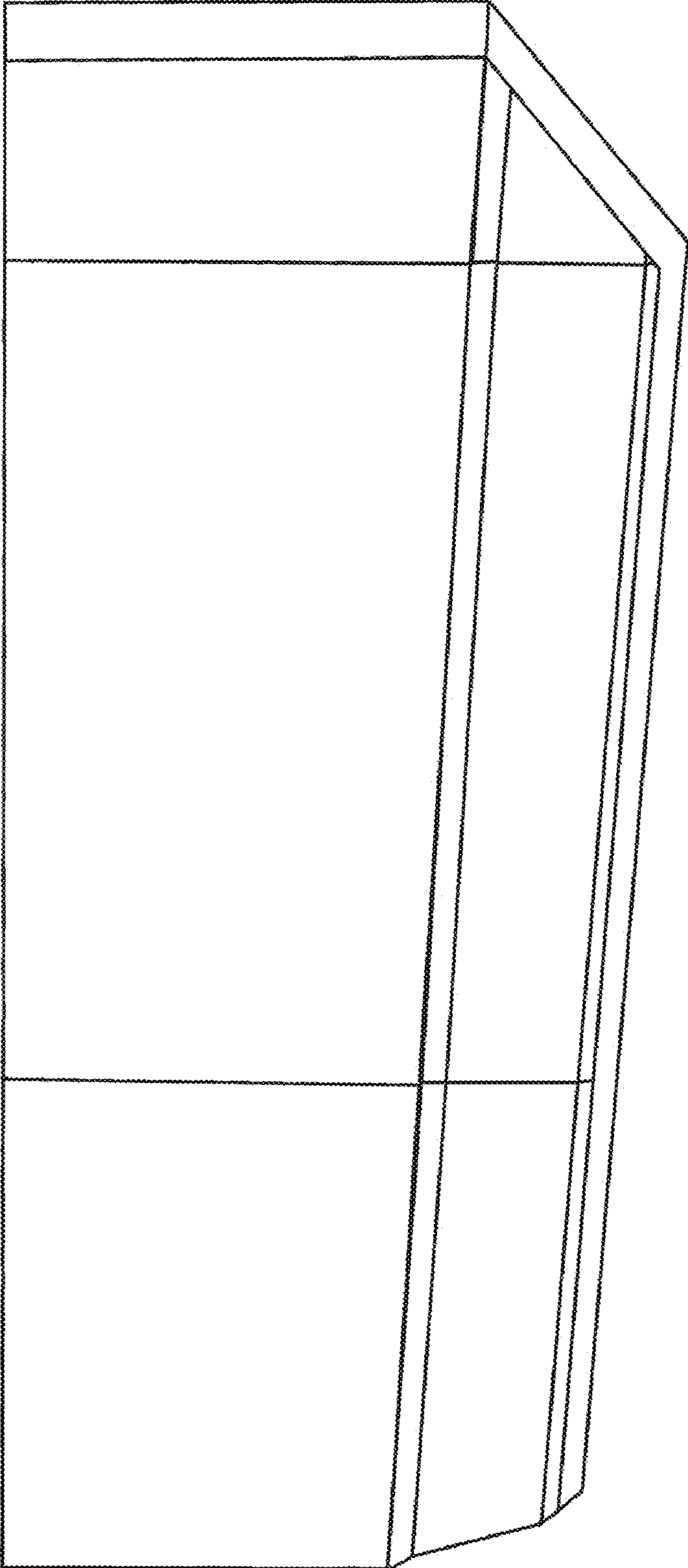


Fig. 4

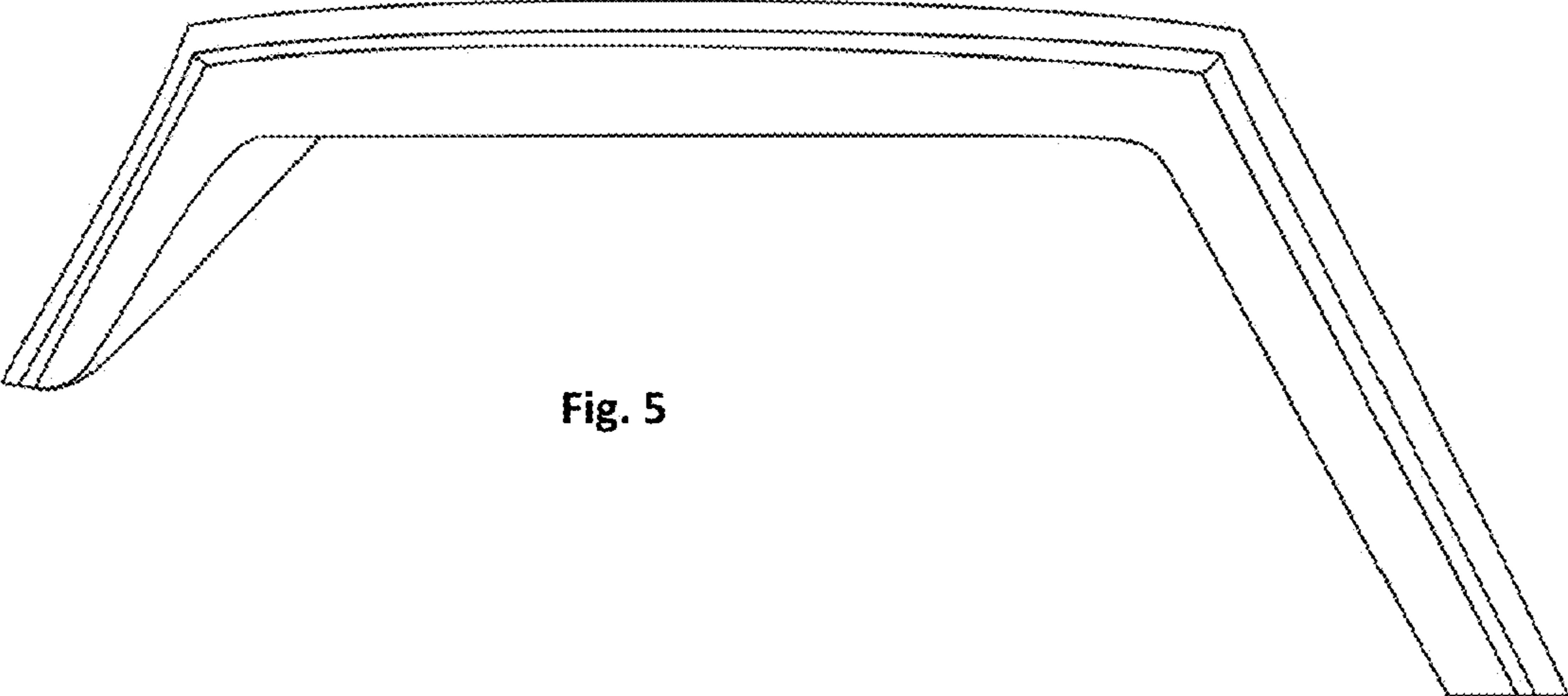


Fig. 5

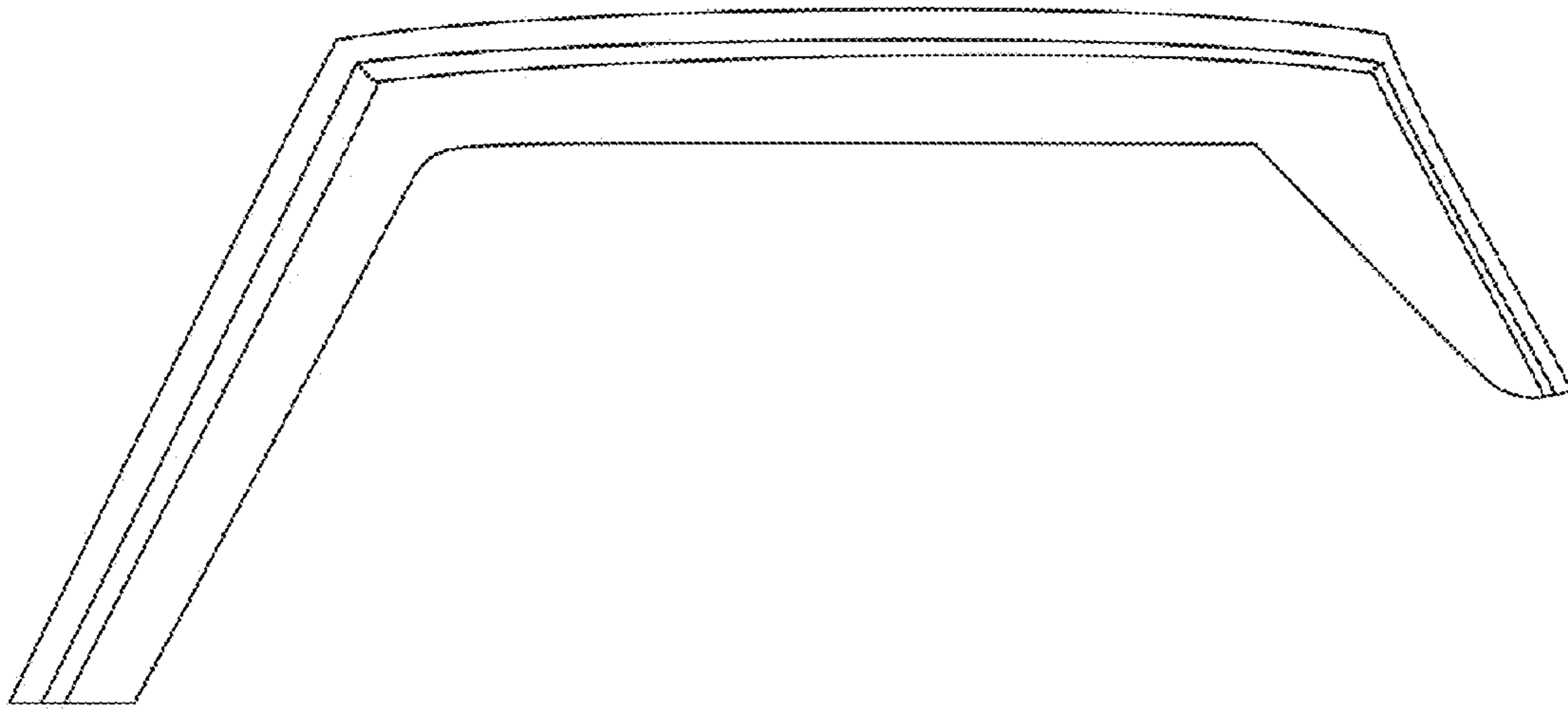


Fig. 6

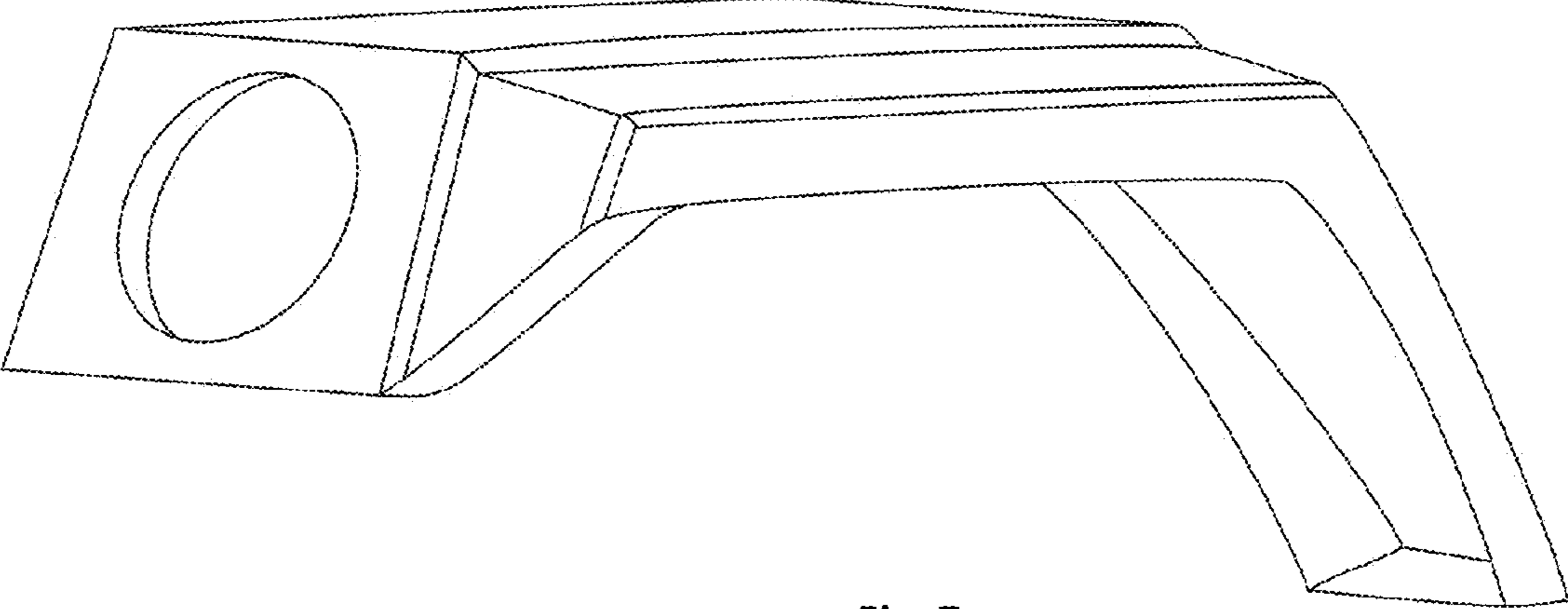


Fig. 7