



US00D652357S

(12) **United States Design Patent**
Jurkiewicz et al.

(10) **Patent No.:** **US D652,357 S**

(45) **Date of Patent:** **** *Jan. 17, 2012**

(54) **WHEELCHAIR**

(75) Inventors: **Damon Jurkiewicz**, Cleveland, OH (US); **Joshua Hamilton Greiner**, Columbus, OH (US); **Daniel James Yee**, Parma, OH (US)

(73) Assignee: **Invacare Corporation**, Elyria, OH (US)

(**) Term: **14 Years**

(21) Appl. No.: **29/350,344**

(22) Filed: **Nov. 15, 2009**

(51) **LOC (9) Cl.** **12-12**

(52) **U.S. Cl.** **D12/133; D12/128**

(58) **Field of Classification Search** D12/128-133;
280/62, 647-650, 29, 200, 47.38, 250.1,
280/259, 642, 658; 297/DIG. 4; 296/65.03,
296/65.04; 224/209; 414/921; 135/65-67,
135/74; D6/360, 368

See application file for complete search history.

(56) **References Cited**

U.S. PATENT DOCUMENTS

D231,801 S	6/1974	Pivacek	
3,865,427 A *	2/1975	Delany	296/68
4,025,112 A	5/1977	Hale	
4,961,610 A	10/1990	Reeder et al.	
5,018,788 A	5/1991	Cedergreen	
5,033,792 A	7/1991	Kanazawa	
D333,737 S	3/1993	Adams	
5,275,466 A	1/1994	Rentchler, Jr.	
D365,787 S	1/1996	Peterson et al.	
D380,991 S	7/1997	Deming	
5,820,221 A	10/1998	Greaves et al.	
D414,453 S	9/1999	Tsai	
6,003,891 A	12/1999	Broadhead	

(Continued)

FOREIGN PATENT DOCUMENTS

FR 2845893 4/2004

(Continued)

OTHER PUBLICATIONS

Invacare Corporation, User Manual, FDX Power Wheelchair Base FDX, FDX-CG, FDX-MCG, 96 pgs., Rev A—09/10, copyright 2010.

(Continued)

Primary Examiner — Ian Simmons

Assistant Examiner — Charles D Hanson

(74) *Attorney, Agent, or Firm* — Calfee, Halter & Griswold LLP

(57) **CLAIM**

The ornamental design for a wheelchair, as shown and described.

DESCRIPTION

FIG. 1 is a perspective view of a wheelchair showing the new design;

FIG. 2 is another perspective view of the wheelchair design of FIG. 1;

FIG. 3 is a front view of the wheelchair design shown in FIG. 1;

FIG. 4 is a back view of the wheelchair design shown in FIG. 1;

FIG. 5 is a right side view of the wheelchair design shown in FIG. 1;

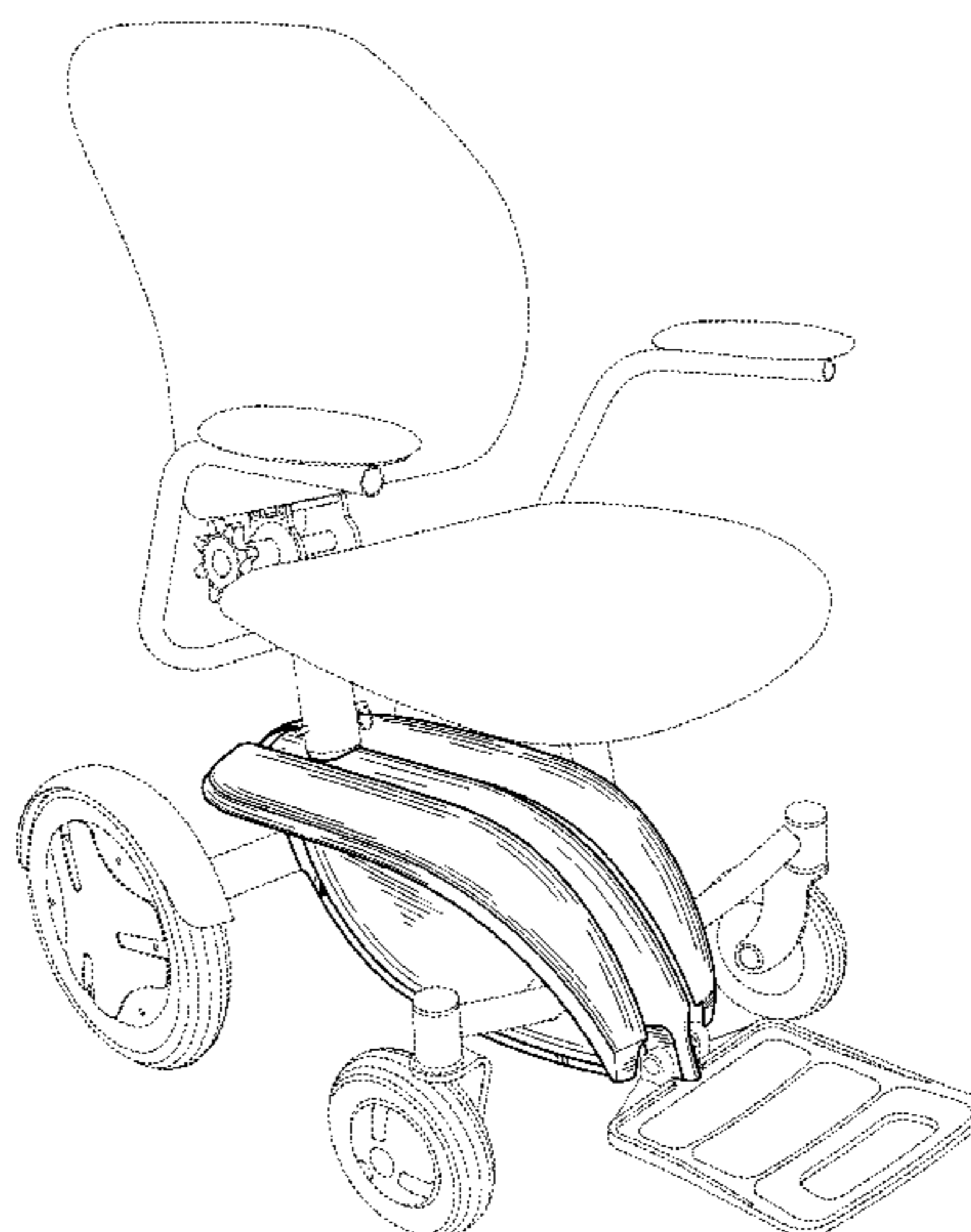
FIG. 6 is a left side view of the wheelchair design shown in FIG. 1;

FIG. 7 is a top view of the wheelchair design shown in FIG. 1, with the dashed lines of the seat removed for ease of illustration; and,

FIG. 8 is a bottom view of the wheelchair design shown in FIG. 1, with the dashed lines of the seat removed for ease of illustration.

The broken line showing of the seat and wheels is included for the purposes of illustrating environment and forms no part of the claimed design.

1 Claim, 8 Drawing Sheets



US D652,357 S

Page 2

U.S. PATENT DOCUMENTS

6,015,190	A	1/2000	Wend	
6,352,273	B1	3/2002	Dickie	
6,386,638	B1	5/2002	Strauch	
D462,639	S *	9/2002	Lin	D12/131
6,459,962	B2 *	10/2002	Ulrich et al.	701/1
D468,669	S *	1/2003	Hopely, Jr.	D12/131
D477,261	S	7/2003	Lin	
6,669,299	B2	12/2003	Carlson et al.	
D486,762	S	2/2004	He	
D491,115	S *	6/2004	Taylor	D12/131
D491,494	S	6/2004	Lippert	
D494,110	S *	8/2004	Cheng	D12/131
6,938,923	B2	9/2005	Mulhern et al.	
D521,909	S	5/2006	Gillett et al.	
7,040,429	B2	5/2006	Molnar	
D523,788	S *	6/2006	Jones et al.	D12/131
D524,196	S	7/2006	You	
D529,844	S	10/2006	Chen et al.	
D536,187	S	2/2007	Goebert et al.	
D536,887	S	2/2007	Goebert et al.	
D540,221	S *	4/2007	Cartellone et al.	D12/133
7,204,556	B2	4/2007	Schwerdtner et al.	
7,229,132	B2	6/2007	Meeker et al.	
D559,741	S	1/2008	Lasher, III	
D569,769	S *	5/2008	Chiu et al.	D12/131
7,370,876	B2	5/2008	Hsu et al.	
7,413,045	B2	8/2008	Tien	
7,472,959	B1	1/2009	Ratza et al.	
D585,794	S *	2/2009	Lin	D12/131
D589,411	S	3/2009	Brown et al.	
D590,304	S	4/2009	Kruse	
D608,550	S	1/2010	Scollberger et al.	
D614,541	S	4/2010	Storm	
7,694,991	B2	4/2010	Mills et al.	
D615,461	S	5/2010	Storm	

D632,229	S	2/2011	Kruse
2001/0013437	A1	8/2001	Husted et al.
2003/0056329	A1	3/2003	Coman et al.
2004/0239169	A1	12/2004	De Nichilo
2006/0082098	A1	4/2006	Harris
2007/0107963	A1	5/2007	Chiu
2007/0195081	A1	8/2007	Fischer
2008/0087481	A1	4/2008	Grymko et al.

FOREIGN PATENT DOCUMENTS

WO	97/46516	12/1997
----	----------	---------

OTHER PUBLICATIONS

Invacare Corporation, Operator and Maintenance Manual, Pronto M51 and M6I with SureStep, 80 pgs., Rev J—10/08, copyright 2008.

Invacare Corporation, product Catalog, copyright 2004, printed Feb. 18, 2011, 14 pgs.

Invacare Corporation, At'm (Take Along Chair), 2 page brochure, copyright 2009.

Invacare Corporation, FDX Front-Wheel Drive Power Wheelchair, 4 page brochure, copyright 2010.

Invacare Corporation, Nutron R51, 2 page brochure, copyright 2006.

Invacare Corporation, P9000 XDT, 2 page brochure, copyright 2007.

Invacare Corporation, Pronto M51, 4 page brochure, copyright 2010.

Invacare Corporation, Pronto M51 with Formula CG Seating, 2 page web printout, printed Feb. 18, 2011.

Invacare Corporation, the New TDX Family, 26 page brochure, copyright 2008.

Invacare Corporation, Storm Series, 16 page brochure, copyright 2010.

International Search Report and Written Opinion from PCT/US11/28626 dated May 20, 2011.

* cited by examiner

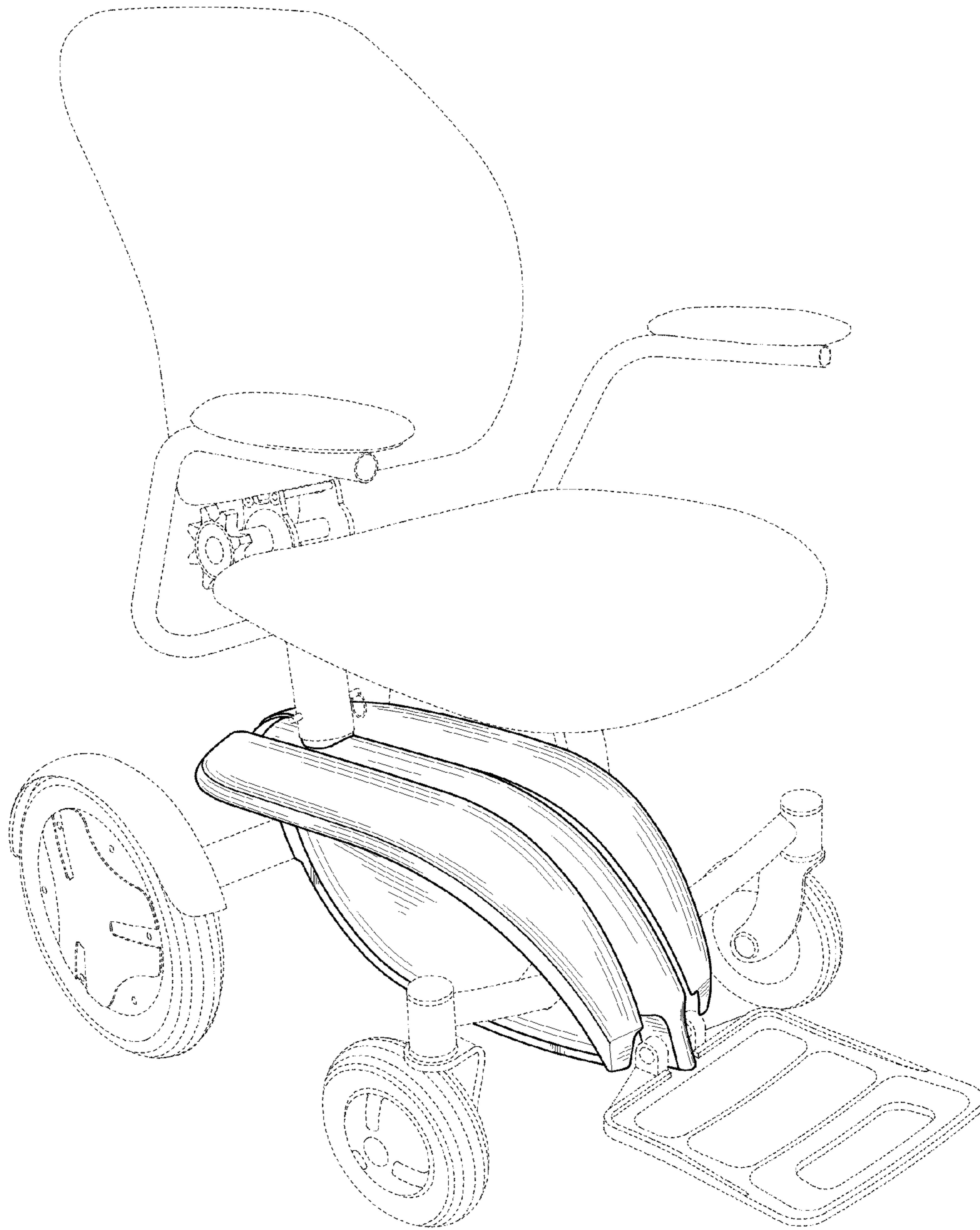


Fig. 1

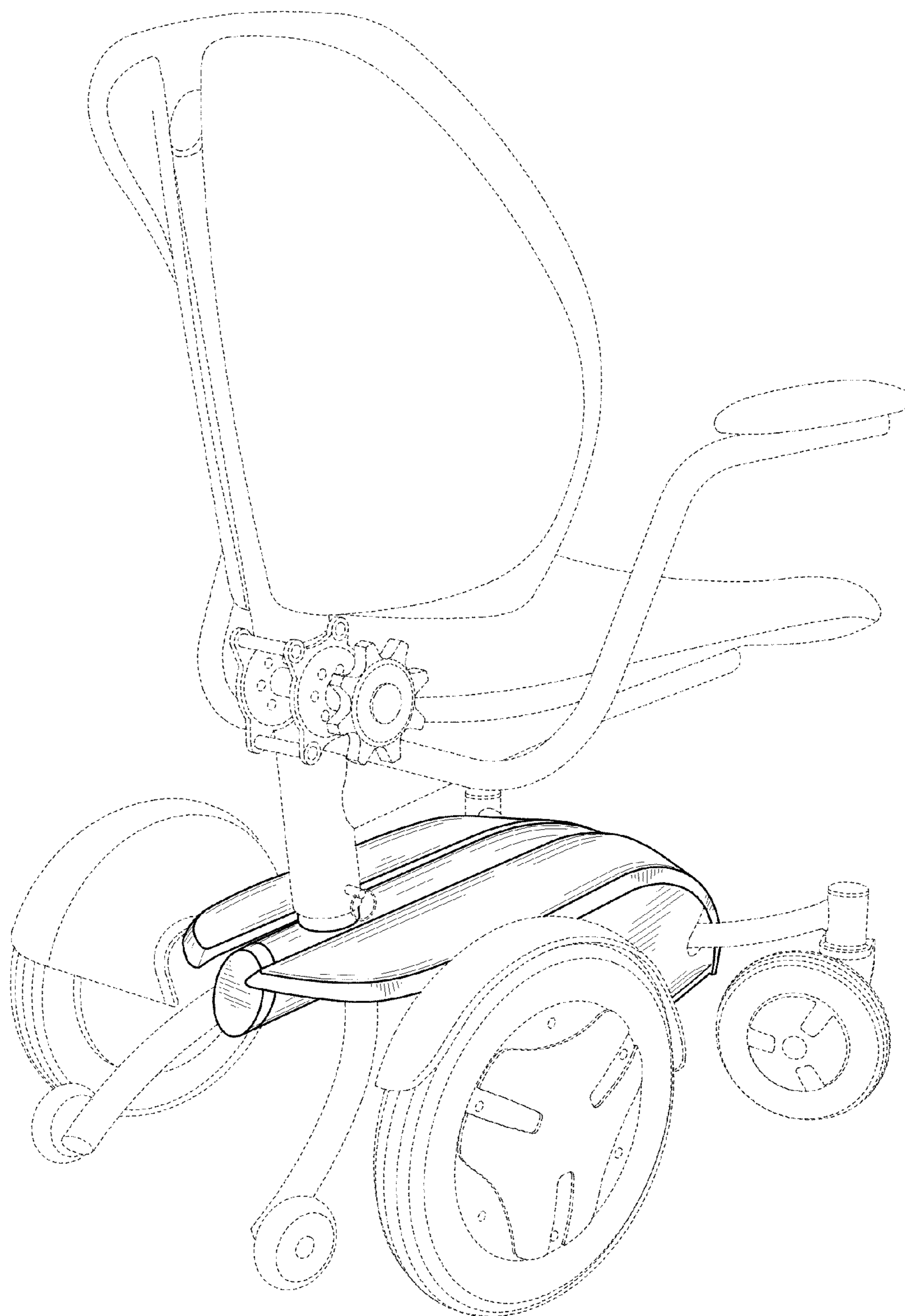


Fig. 2

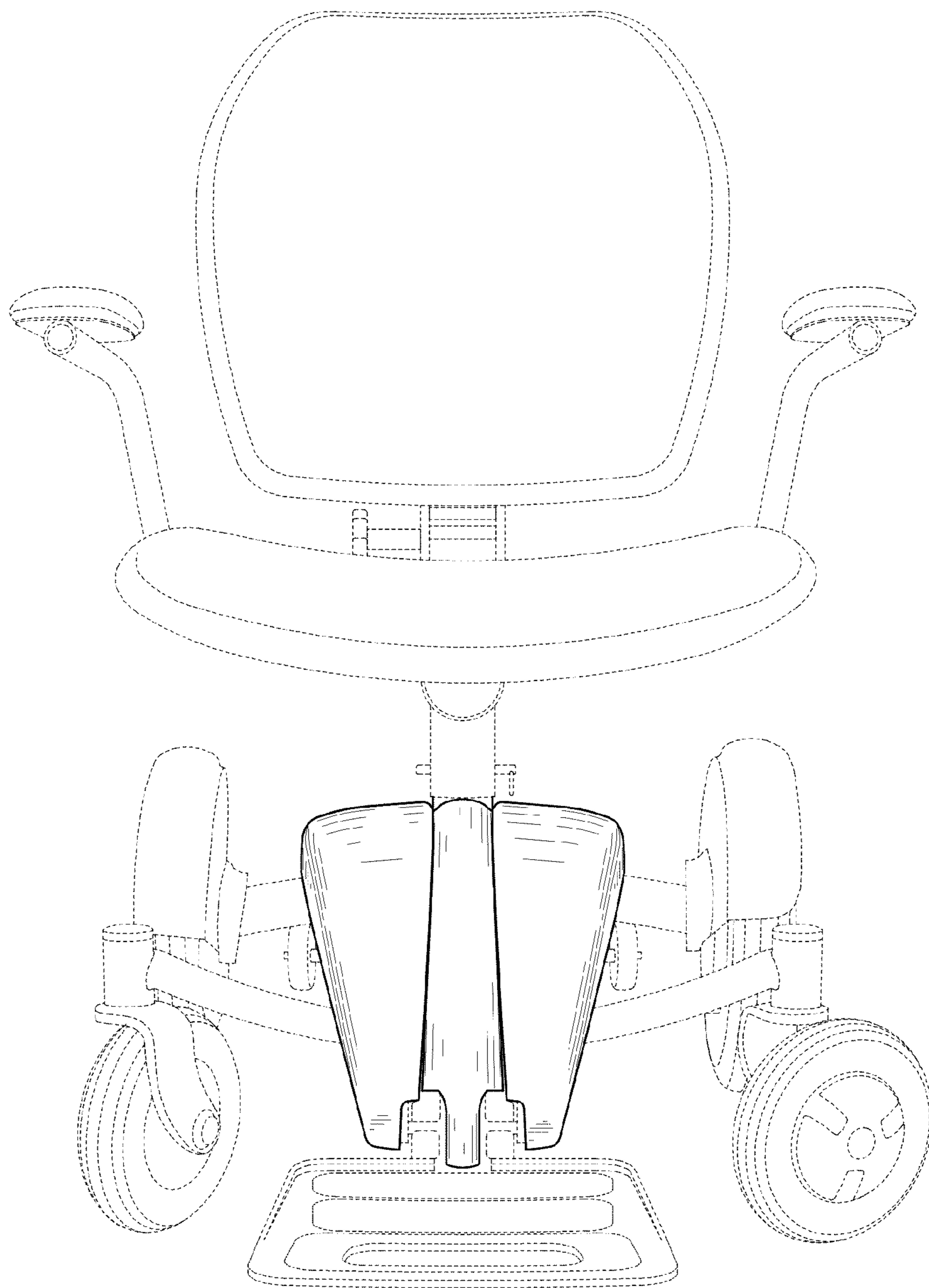


Fig. 3

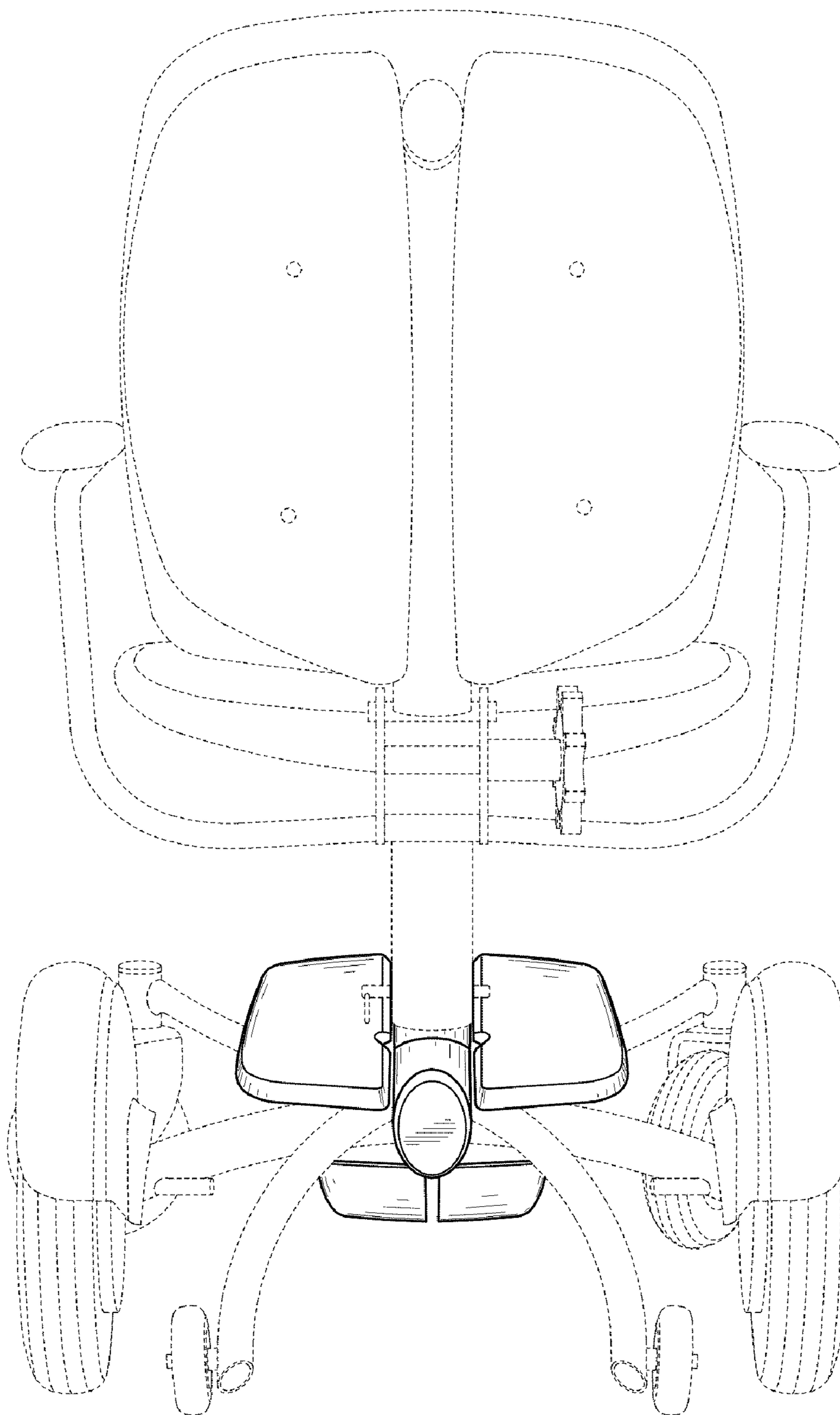


Fig. 4

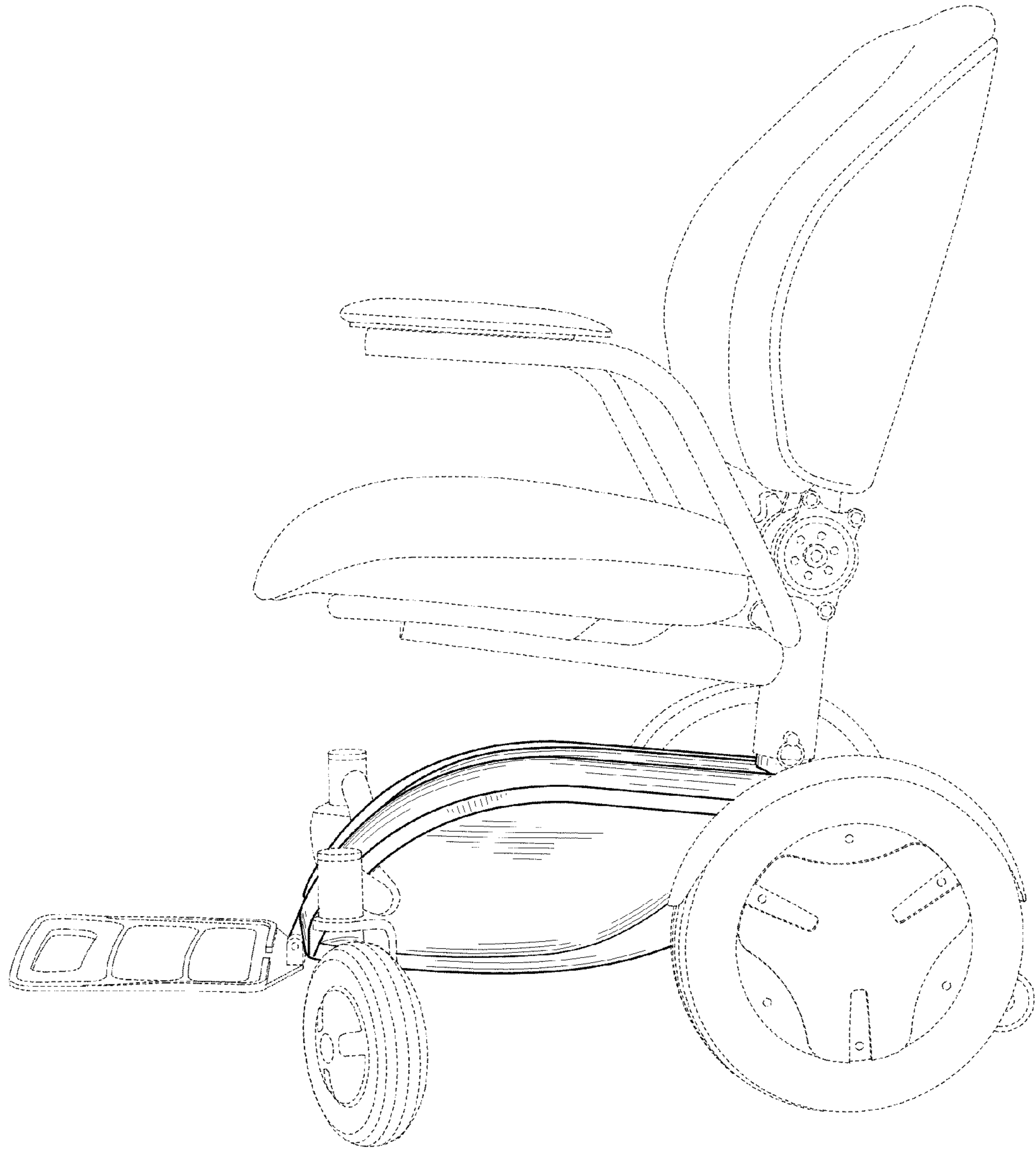


Fig. 5

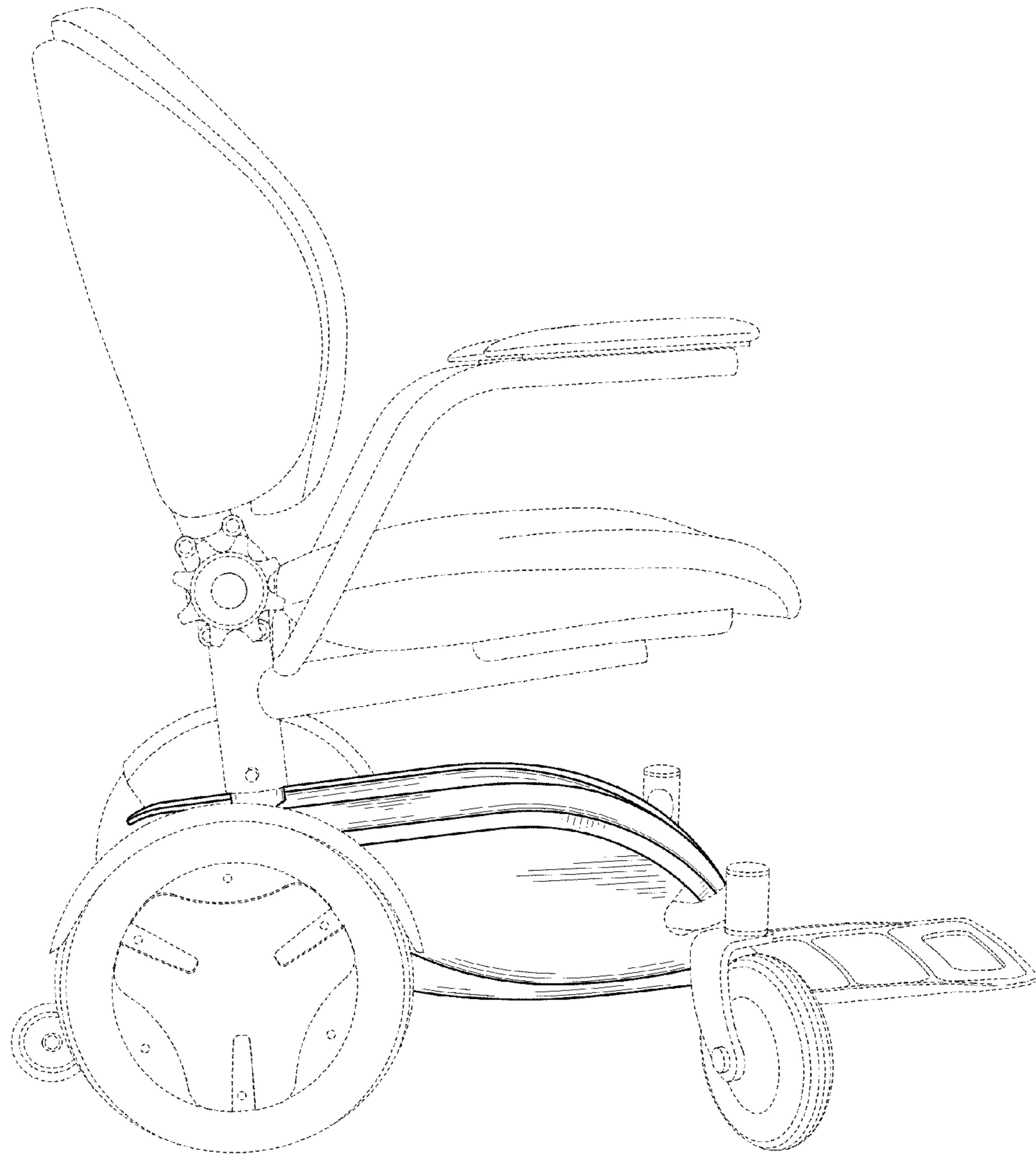


Fig. 6

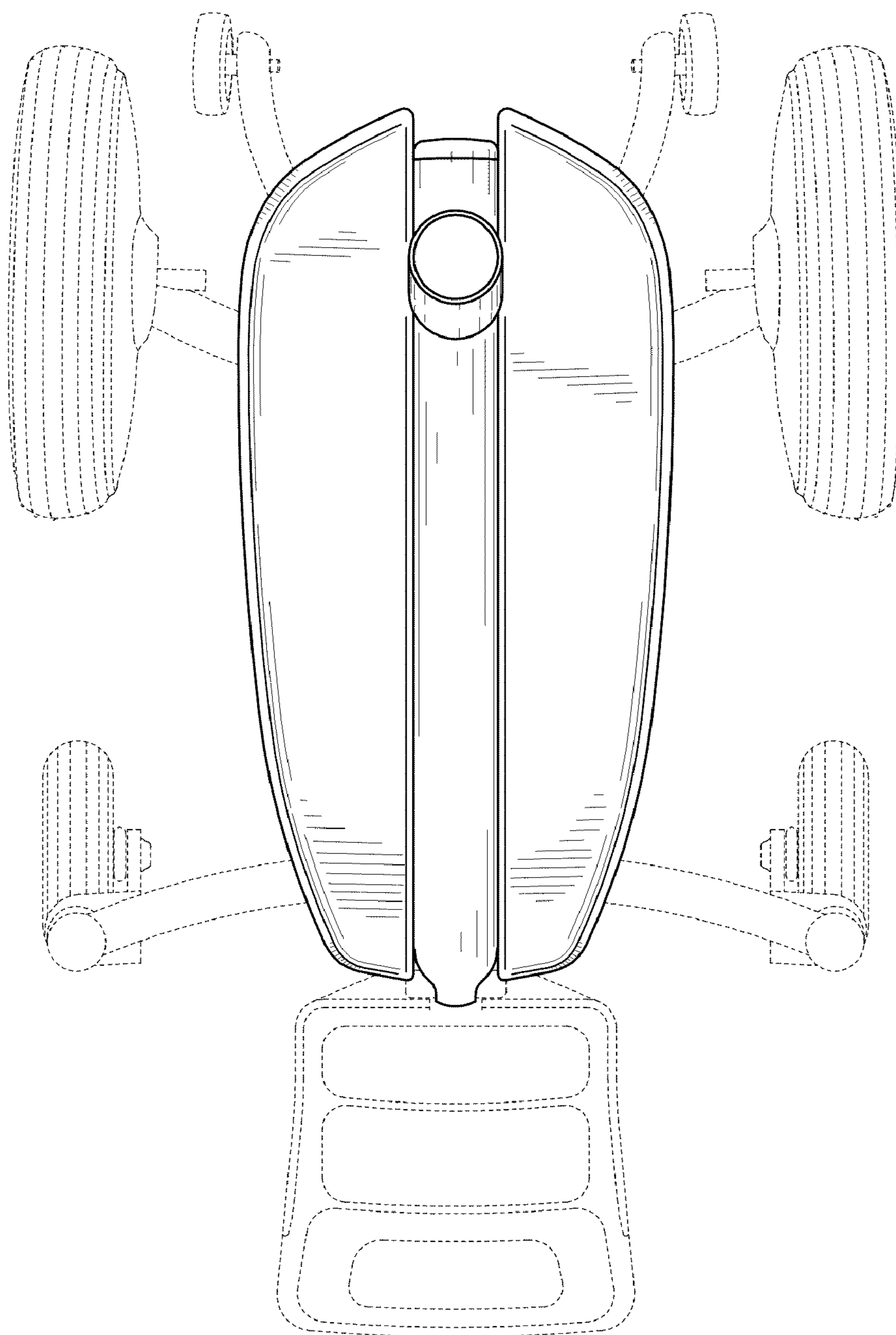


Fig. 7

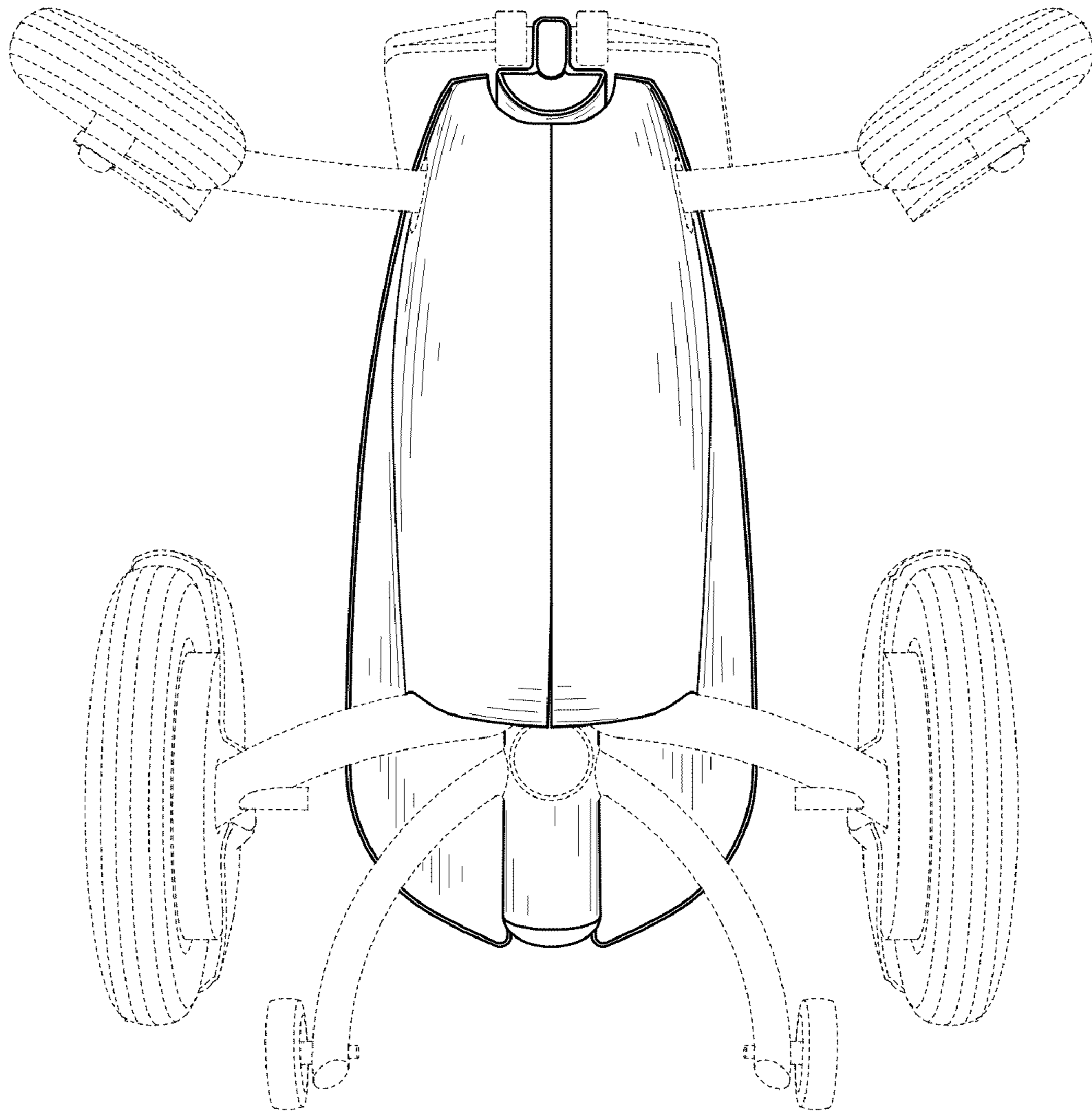


Fig. 8