



US00D652351S

(12) **United States Design Patent**  
**Ikuma et al.**

(10) **Patent No.:** **US D652,351 S**  
(45) **Date of Patent:** **\*\* Jan. 17, 2012**

(54) **AUTOMOBILE AND/OR TOY REPLICA  
THEREOF**

D630,553 S \* 1/2011 Muller ..... D12/91  
D630,554 S \* 1/2011 Kim ..... D12/91  
D642,093 S 7/2011 Kubo et al.

(75) Inventors: **Hirokazu Ikuma**, Toyota (JP); **Yukihiro Koide**, Toyota (JP); **Ian Cartabiano**, Newport Beach, CA (US); **Tatsuya Hotta**, Yokosuka (JP); **Tetsuya Nakagawa**, Yokosuka (JP)

**OTHER PUBLICATIONS**

Website: [http://www.netcarshow.com/suzuki/2008-splash/800x600/wallpaper\\_09.htm](http://www.netcarshow.com/suzuki/2008-splash/800x600/wallpaper_09.htm), Suzuki SPLASH, Date: 2008.  
Website: <http://www.autoblog.com/2009/08/01/2010-nissan-leaf-electric-car-in-person-in-depth-and-u-s-b/>, Nissan LEAF EV, Date Aug. 1, 2009.

(73) Assignee: **Toyota Jidosha Kabushiki Kaisha**, Toyota-shi (JP)

\* cited by examiner

(\*\*) Term: **14 Years**

*Primary Examiner* — Melody N Brown

(21) Appl. No.: **29/368,649**

(74) *Attorney, Agent, or Firm* — Finnegan, Henderson, Farabow, Garrett & Dunner, LLP

(22) Filed: **Aug. 26, 2010**

(57) **CLAIM**

(51) **LOC (9) Cl.** ..... **12-08**

The ornamental design for an automobile and/or toy replica thereof, as shown and described.

(52) **U.S. Cl.** ..... **D12/91**

(58) **Field of Classification Search** ..... D12/86,  
D12/90-92, 88; D21/424, 433, 434; 296/181.1,  
296/181.5

**DESCRIPTION**

See application file for complete search history.

FIG. 1 is a left front perspective view of an automobile and/or toy replica thereof of our new design;  
FIG. 2 is a front view thereof, the rear view being a mirror image thereof, with the exception of the fuel door which is not present on the rear view;  
FIG. 3 is a right front perspective view thereof;  
FIG. 4 is a left side view thereof;  
FIG. 5 is a right side view thereof; and,  
FIG. 6 is a top plan view thereof.  
The bottom view of the automobile and toy replica forms no part of the claimed design.

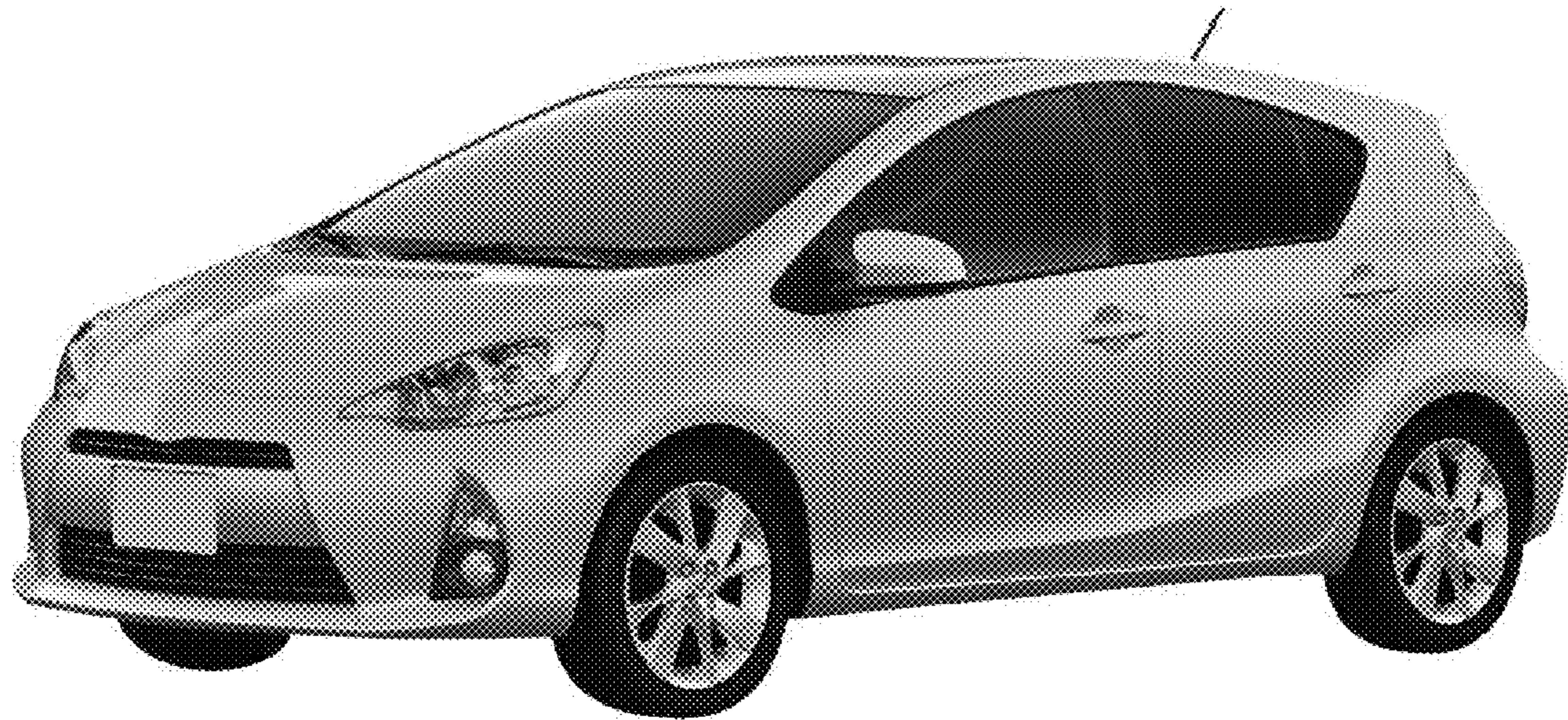
(56) **References Cited**

**U.S. PATENT DOCUMENTS**

D504,639 S \* 5/2005 Oishi et al. .... D12/91  
D541,702 S \* 5/2007 D'Aprile et al. .... D12/91  
D595,615 S \* 7/2009 Nagafuchi et al. .... D12/91  
D608,694 S \* 1/2010 Okue et al. .... D12/91  
D617,684 S \* 6/2010 Nagura et al. .... D12/92  
D622,635 S \* 8/2010 Scott et al. .... D12/92  
D624,850 S \* 10/2010 Yagi et al. .... D12/91  
D628,938 S \* 12/2010 Yamazaki et al. .... D12/91

**1 Claim, 5 Drawing Sheets**





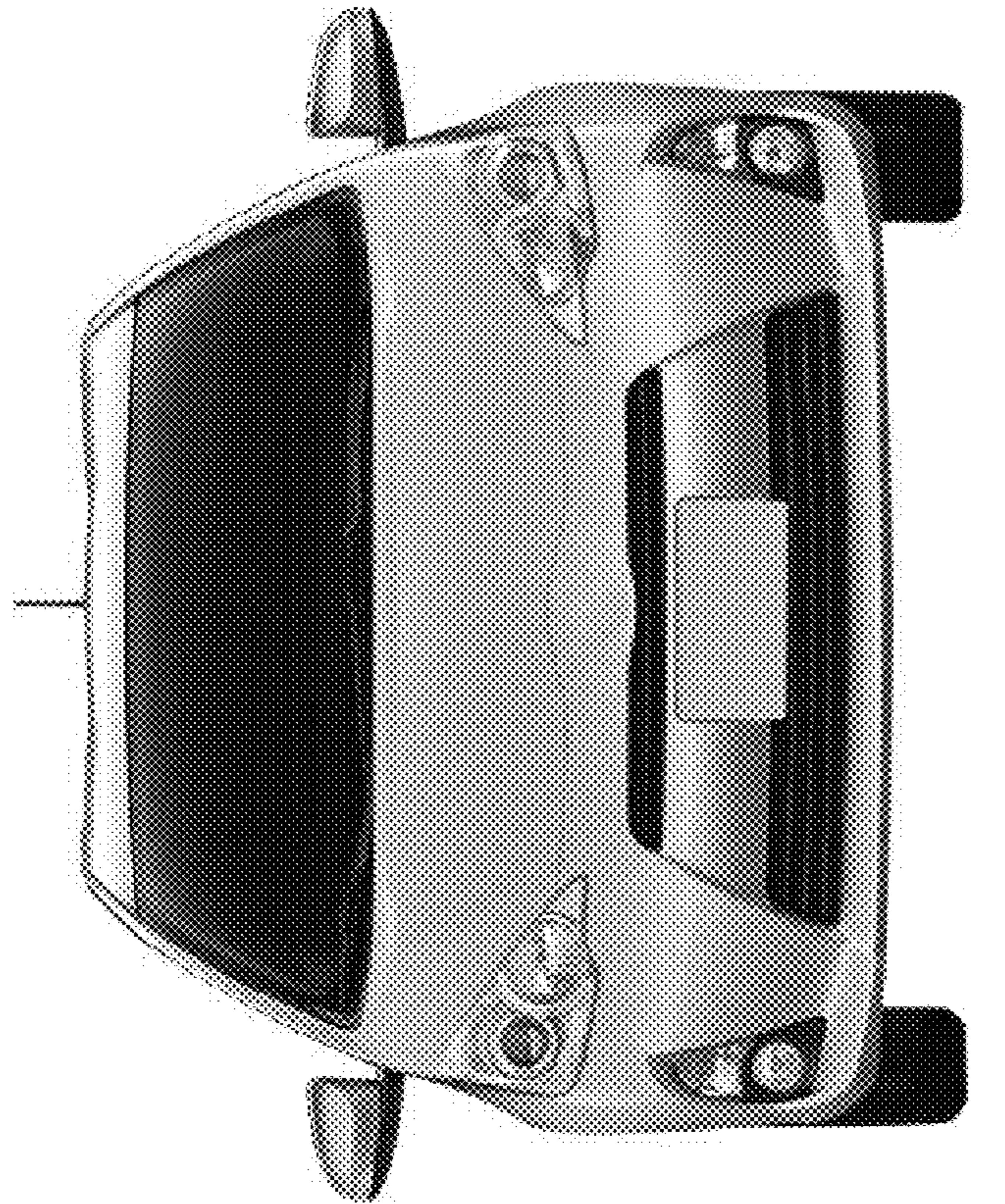
**FIG. 1**



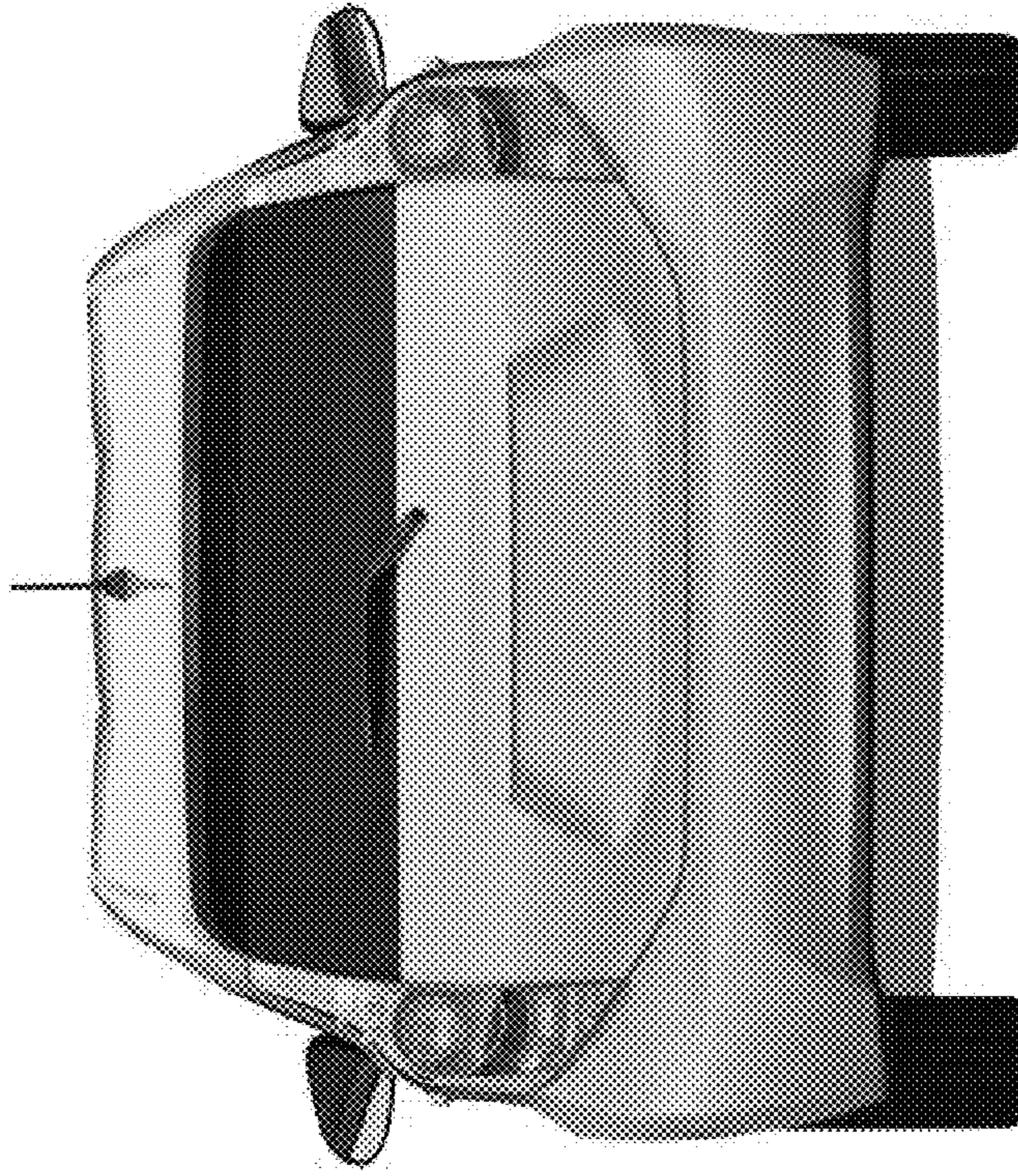
**FIG. 2**



**FIG. 3**



**FIG. 4**



**FIG. 5**



**FIG. 6**