



US00D652350S

(12) **United States Design Patent**  
**Sands et al.**

(10) **Patent No.:** **US D652,350 S**  
(45) **Date of Patent:** **\*\* Jan. 17, 2012**

(54) **RAILROAD TRACK AND TIE COVER**

(76) Inventors: **Thomas Sands**, Yardley, PA (US);  
**Jonathan Barnhart**, Riverdale, NJ (US)

(\*\*) Term: **14 Years**

(21) Appl. No.: **29/396,467**

(22) Filed: **Jun. 30, 2011**

(51) **LOC (9) Cl.** ..... **12-03**

(52) **U.S. Cl.** ..... **D12/50**

(58) **Field of Classification Search** ..... D12/48,  
D12/49, 50, 51; 238/1, 29, 287, 33; 264/33  
See application file for complete search history.

(56) **References Cited**

U.S. PATENT DOCUMENTS

3,695,574	A	10/1972	Charlier et al.	
D246,448	S *	11/1977	Rex	D12/49
5,268,137	A	12/1993	Scott et al.	
D345,119	S *	3/1994	Cox	D12/51
5,609,294	A	3/1997	Lucas, Jr.	

7,533,499	B2	5/2009	Daigger et al.	
2002/0033421	A1 *	3/2002	Mohr	238/83
2003/0034402	A1 *	2/2003	Mohr	238/109

\* cited by examiner

*Primary Examiner* — T. Chase Nelson

*Assistant Examiner* — Ania Aman

(74) *Attorney, Agent, or Firm* — Goldstein Law Offices, P.C.

(57) **CLAIM**

The ornamental design for a railroad track and tie cover, as shown and described.

**DESCRIPTION**

FIG. 1 is a perspective view of the railroad track and tie cover in full lines.

FIG. 2 is an alternate prospective view of the railroad track and tie cover showing underneath the cover.

FIG. 3 is a top plan view thereof.

FIG. 4 is a bottom plan view thereof.

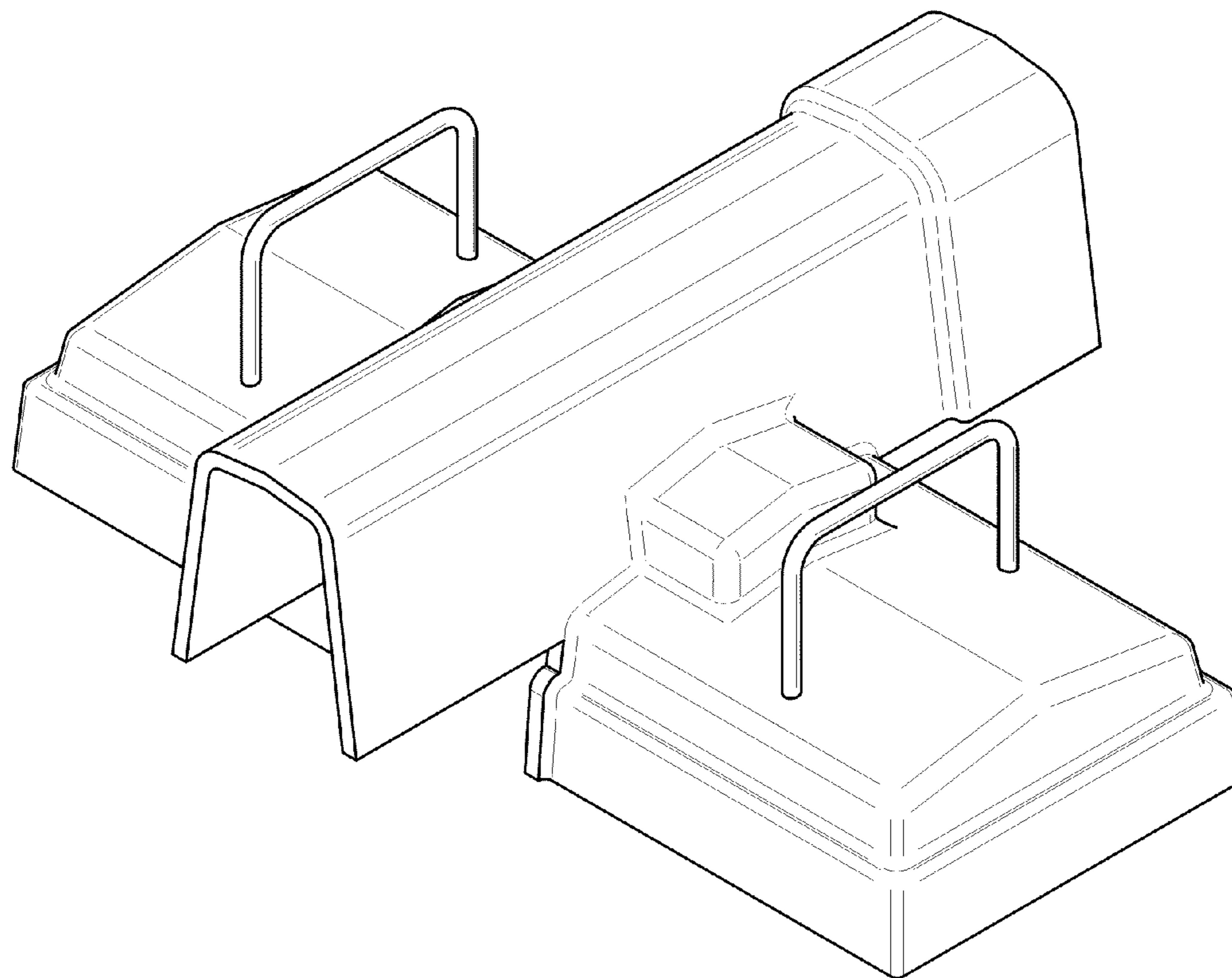
FIG. 5 is a front elevational view thereof.

FIG. 6 is a rear elevational view thereof.

FIG. 7 is a left side elevational view thereof; and,

FIG. 8 is a right side elevational view thereof.

**1 Claim, 5 Drawing Sheets**



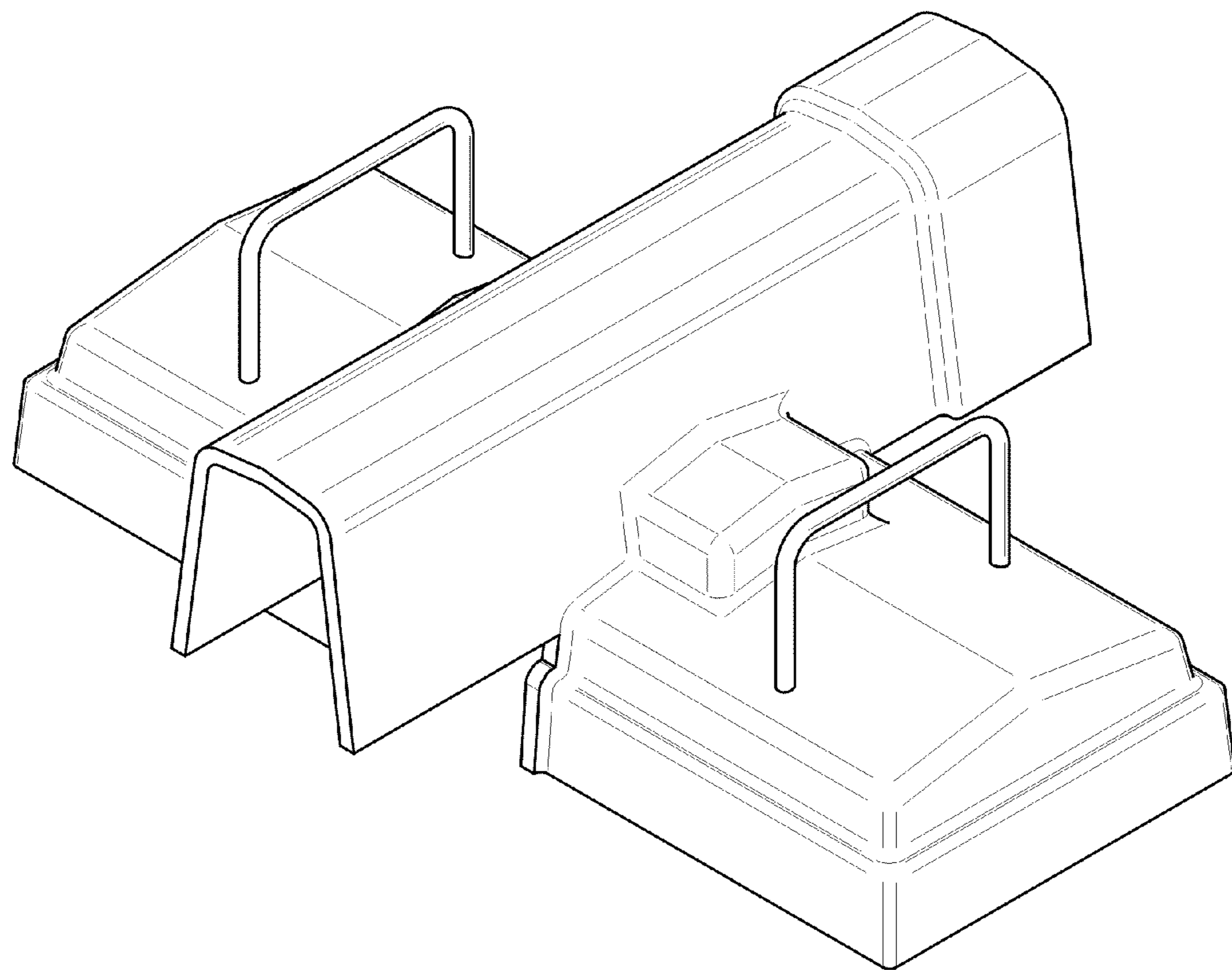


FIG. 1

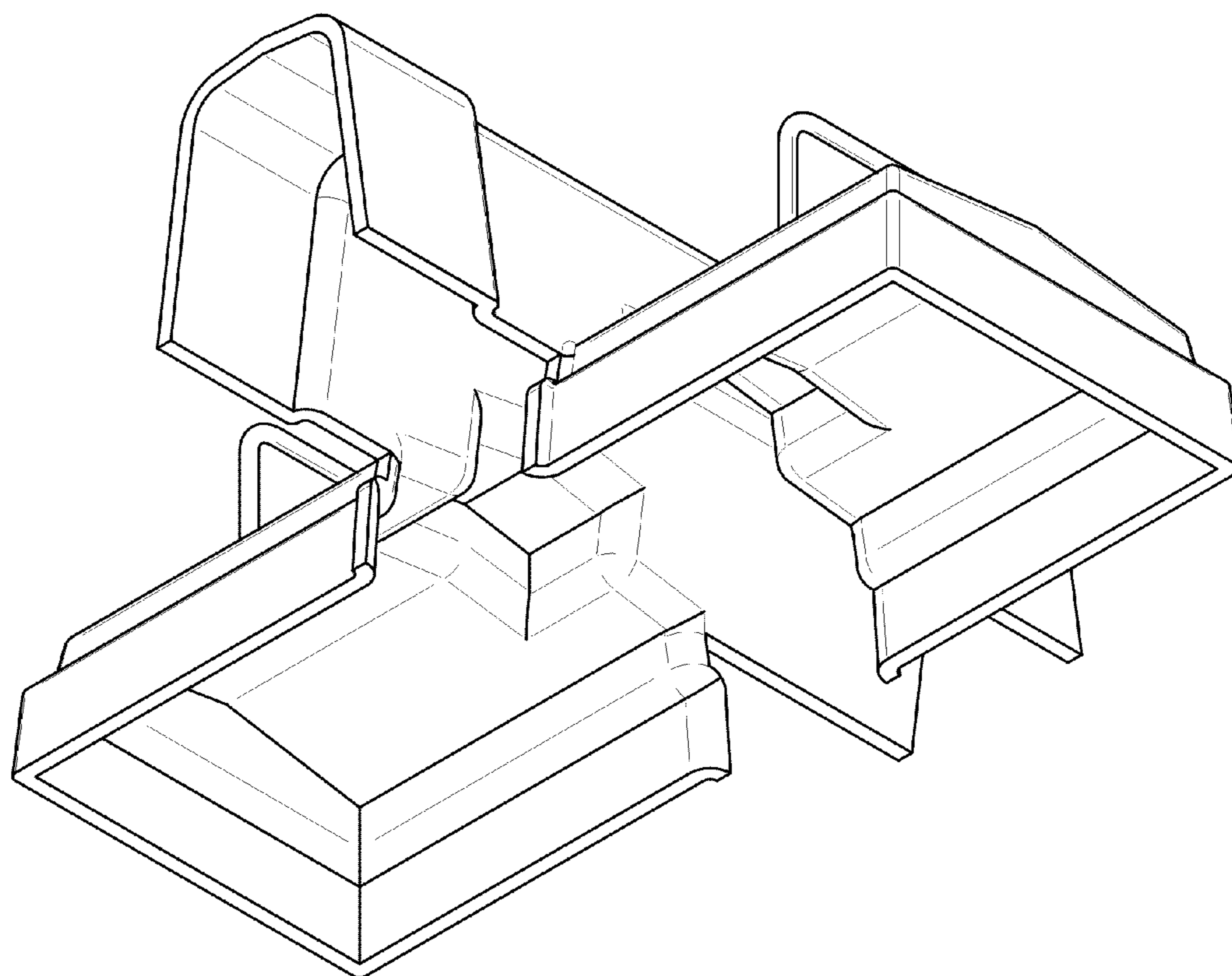


FIG. 2

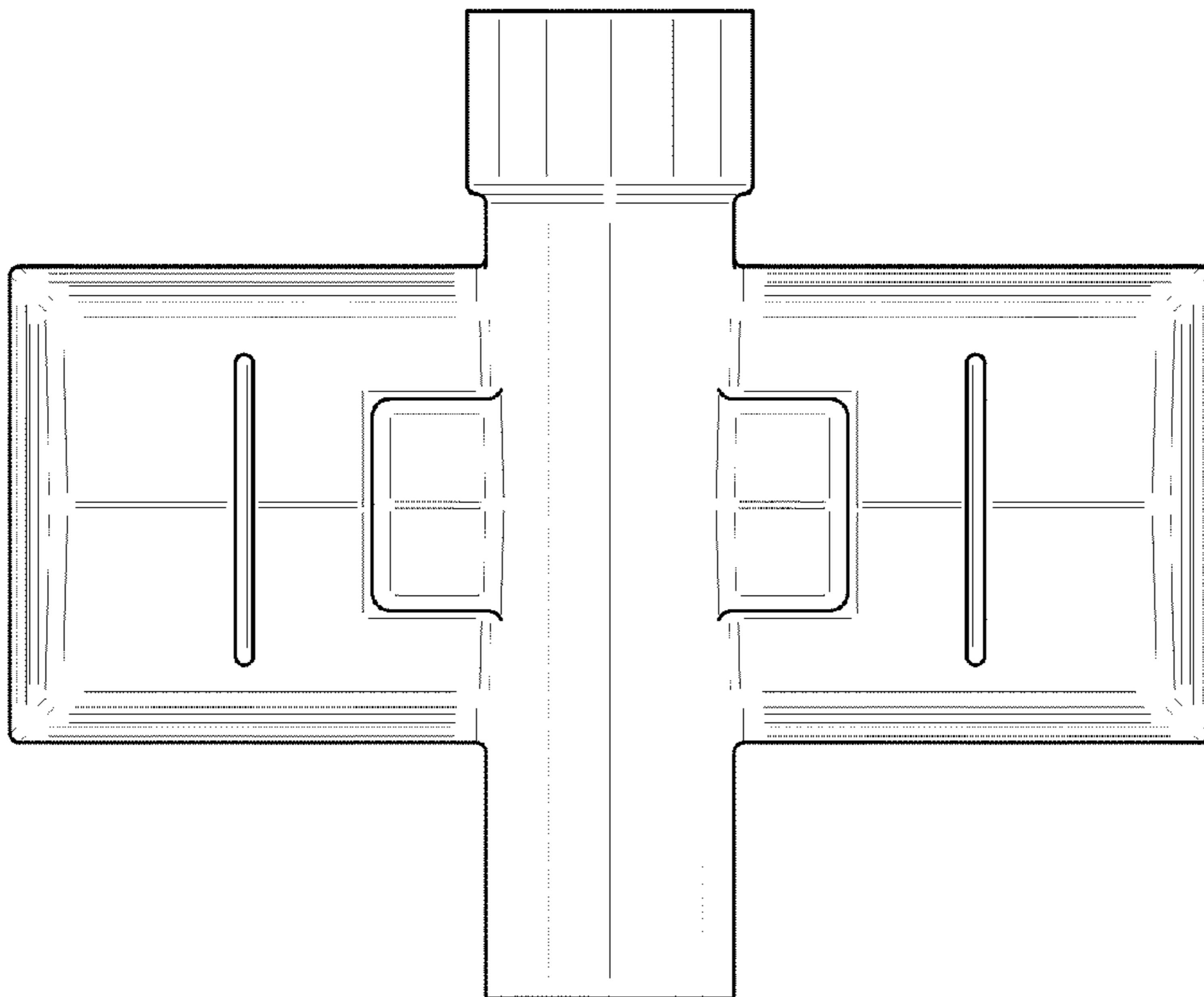


FIG. 3

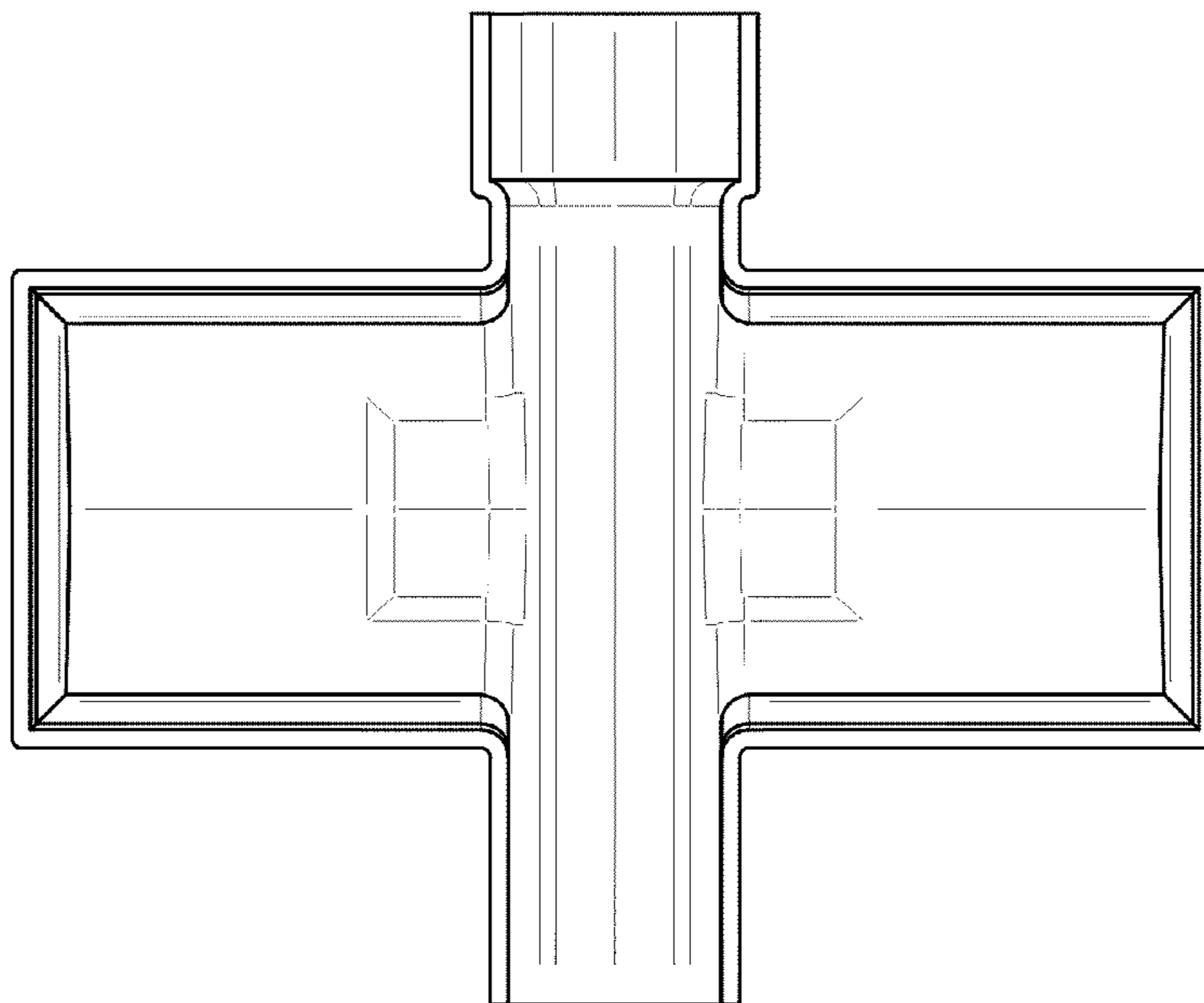


FIG. 4

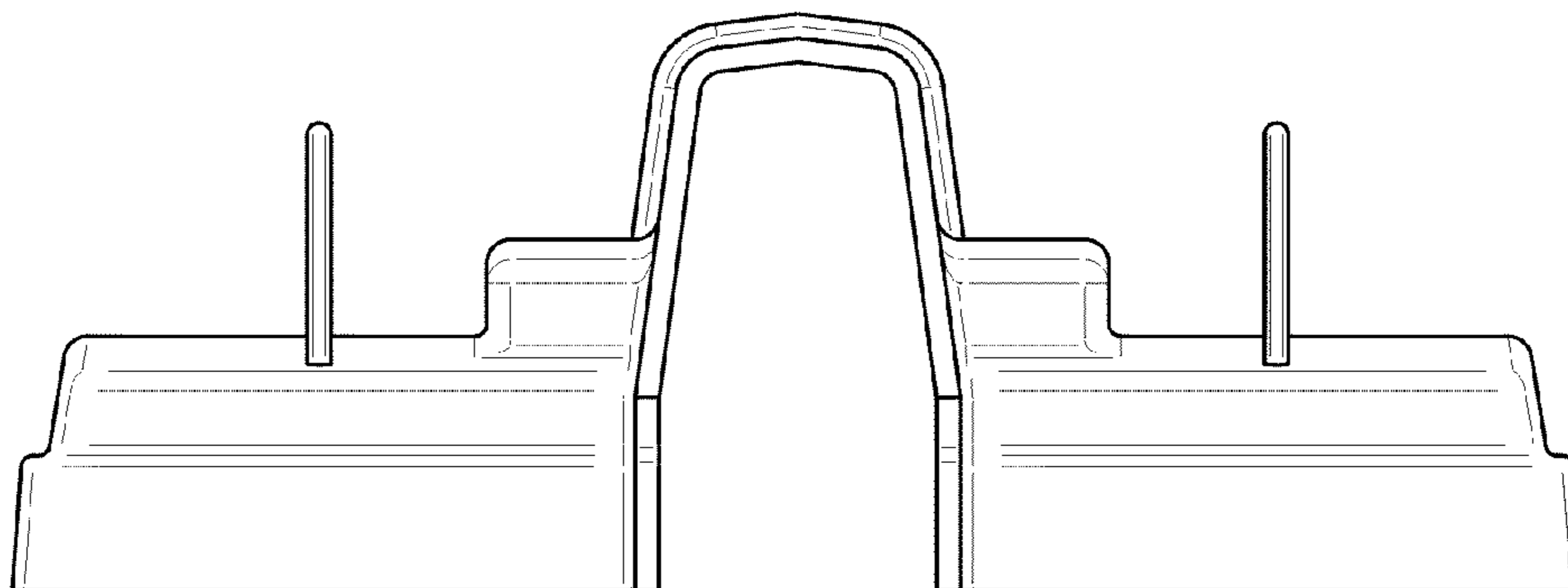


FIG. 5

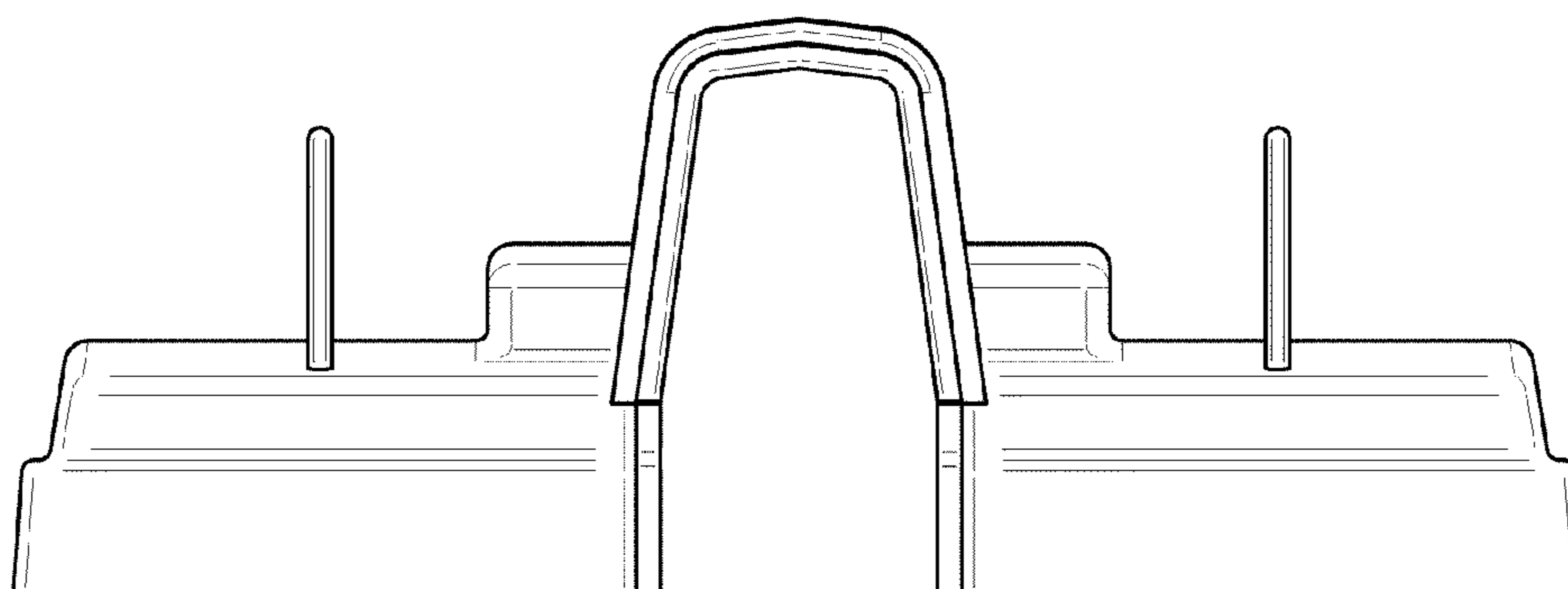


FIG. 6

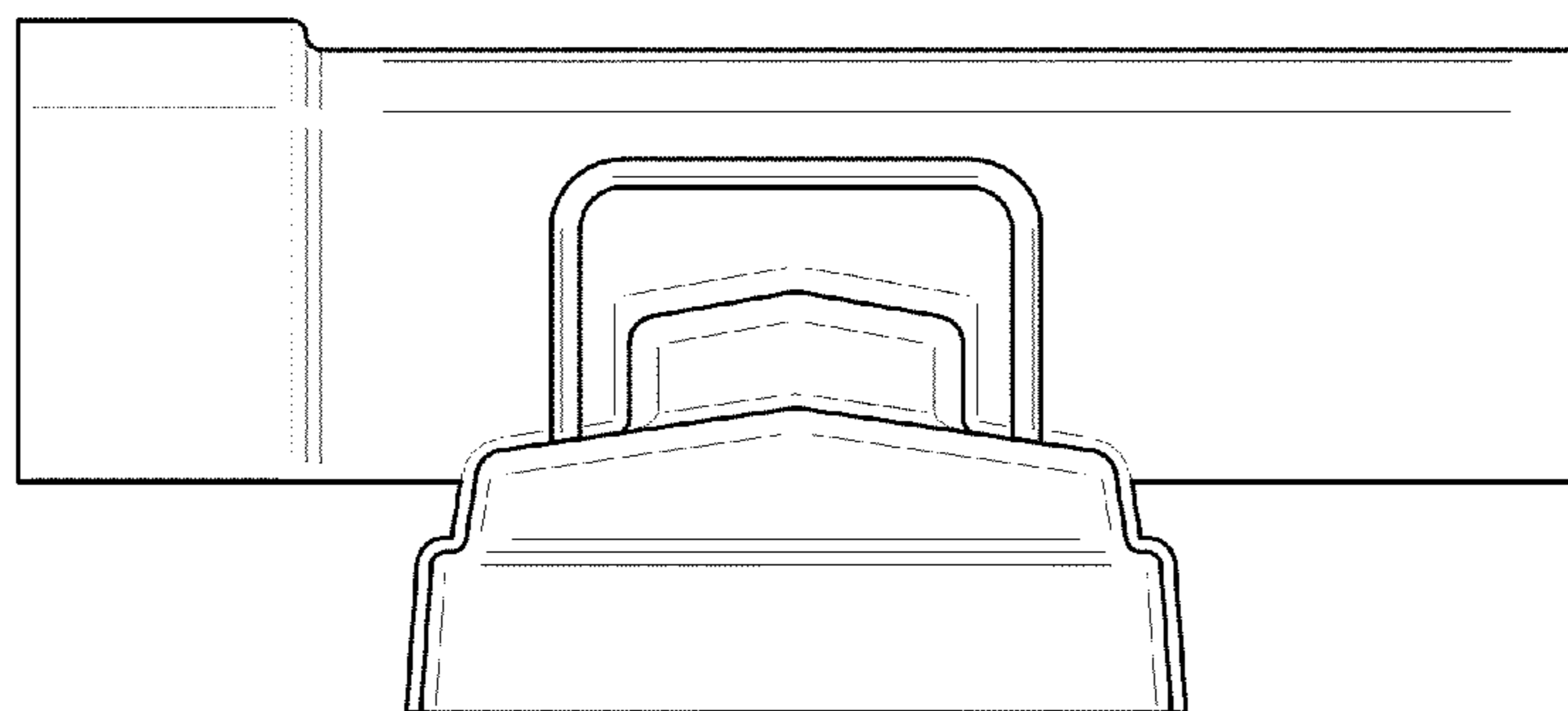


FIG. 7

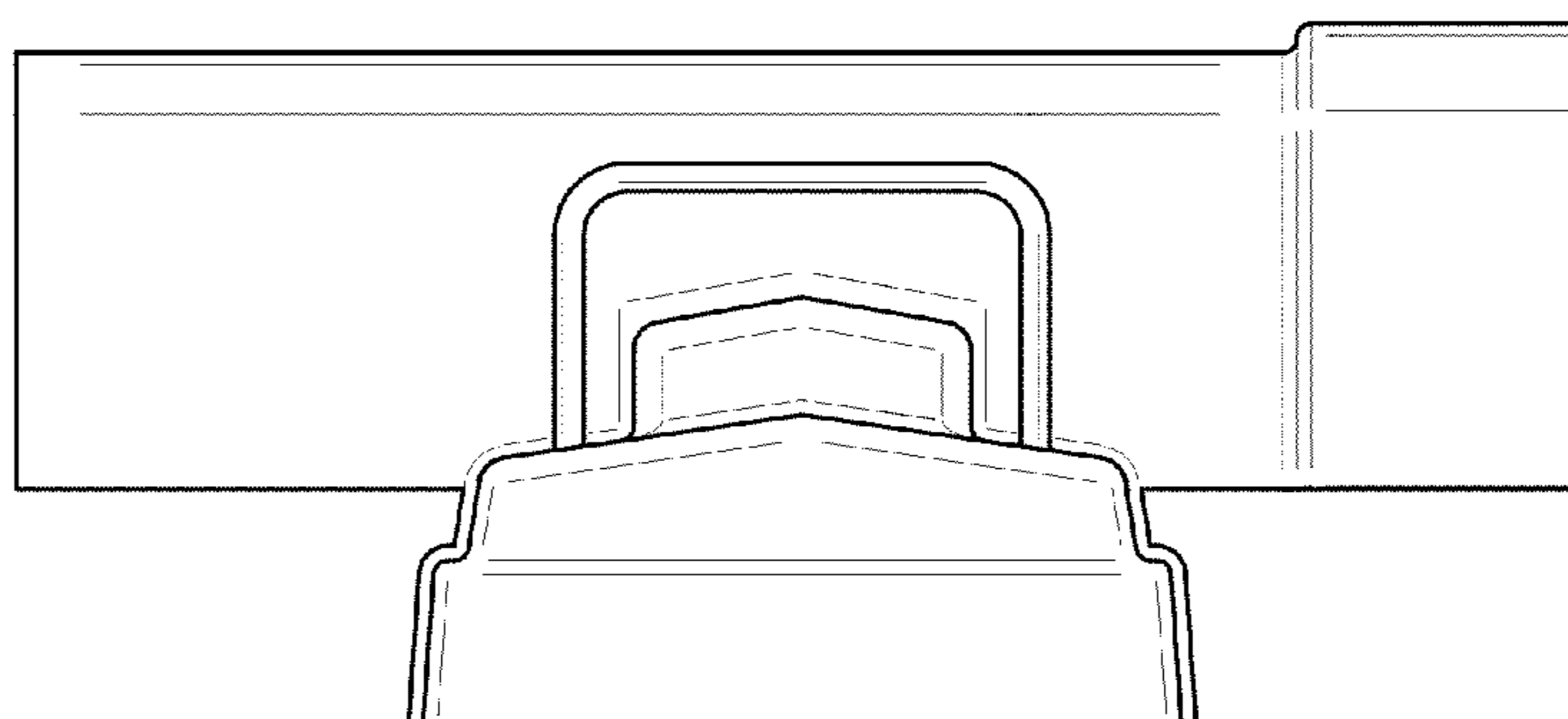


FIG. 8