

US00D652349S

(12) **United States Design Patent**
Kristensen

(10) **Patent No.:** **US D652,349 S**
(45) **Date of Patent:** **** Jan. 17, 2012**

(54) **GOLF CART**

D600,593 S * 9/2009 Hanson et al. D12/16
D617,681 S * 6/2010 Tuo D12/16
D618,137 S * 6/2010 Yuan D12/16

(75) Inventor: **Anders Lyng Kristensen**, Copenhagen (DK)

FOREIGN PATENT DOCUMENTS

(73) Assignee: **Garia A/S**, Greve (DK)

EM 000486410-0001 4/2006
EM 000486410-0002 4/2006

(**) Term: **14 Years**

* cited by examiner

(21) Appl. No.: **29/316,408**

Primary Examiner — T. Chase Nelson

(22) Filed: **Sep. 21, 2009**

Assistant Examiner — Ania Aman

(30) **Foreign Application Priority Data**

(74) *Attorney, Agent, or Firm* — Fross Zelnick Lehrman & Zissu, P.C.; Charles T. J. Weigell, Esq.

Jul. 30, 2009 (EM) 001596057

(57) **CLAIM**

(51) **LOC (9) Cl.** **12-02**

The ornamental design for a golf cart, as shown and described.

(52) **U.S. Cl.** **D12/16**

(58) **Field of Classification Search** D12/87,
D12/86, 1, 433, 15, 16, 107, 82, 88, 89, 90,
D12/91, 92, 93; D15/30; D21/803; 180/233,
180/908; 280/DIG. 5, 183, 184, 185, 186,
280/28, 37.7

DESCRIPTION

See application file for complete search history.

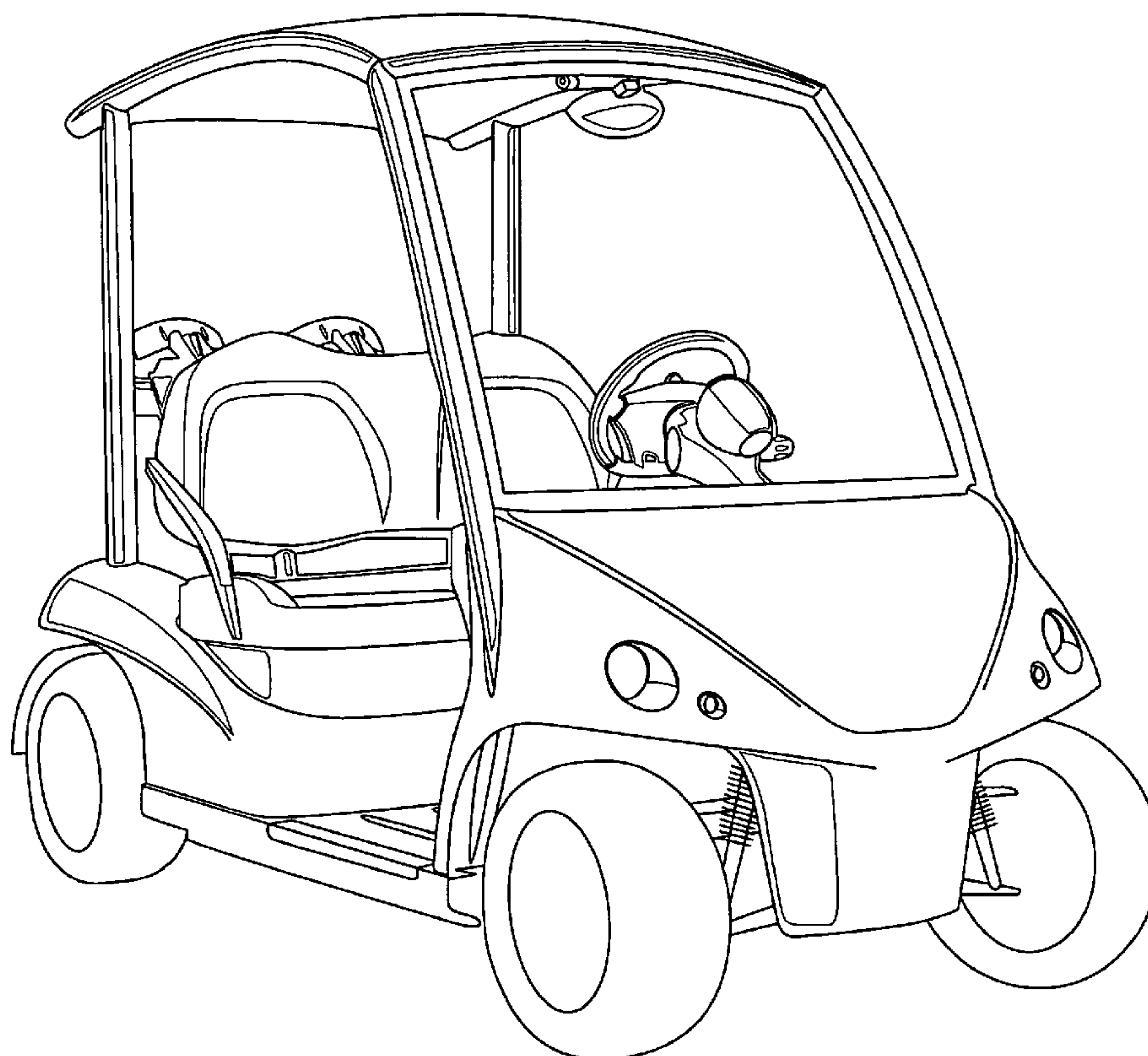
FIG. 1 is a left side view of a golf cart showing my new design;
FIG. 2 is a front view of the golf cart shown in FIG. 1;
FIG. 3 is a rear view of the golf cart shown in FIG. 1;
FIG. 4 is a top view of the golf cart shown in FIG. 1;
FIG. 5 is a bottom view of the golf cart shown in FIG. 1;
FIG. 6 is a front perspective view of the golf cart shown in FIG. 1; and,
FIG. 7 is a rear perspective view of the golf cart shown in FIG. 1.

(56) **References Cited**

U.S. PATENT DOCUMENTS

D483,079 S * 12/2003 Wang et al. D21/433
D558,641 S * 1/2008 Hanson et al. D12/16
D571,689 S * 6/2008 Andrews et al. D12/16
D588,046 S * 3/2009 Fitzgerald D12/16

1 Claim, 7 Drawing Sheets



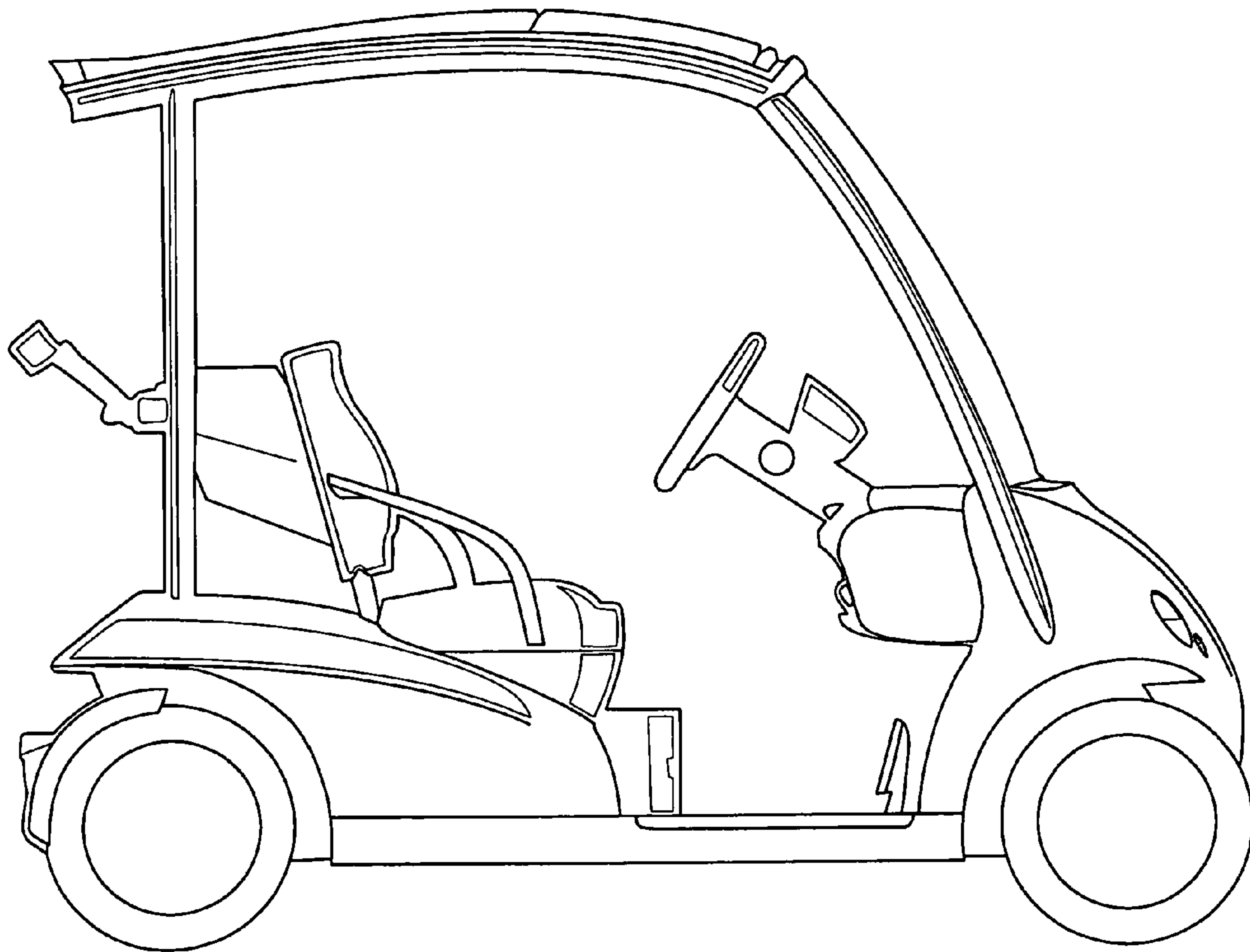


FIG. 1

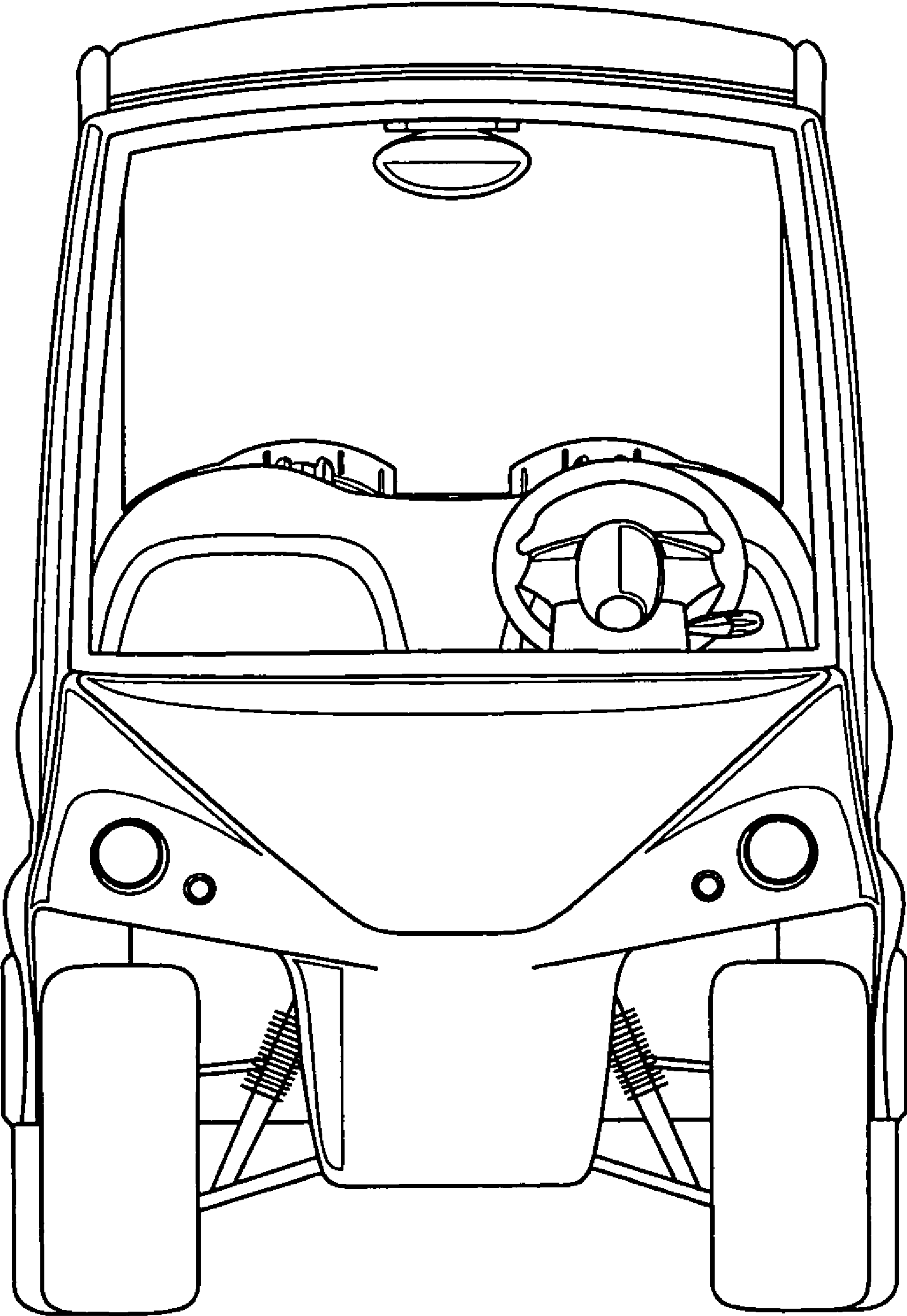


FIG. 2

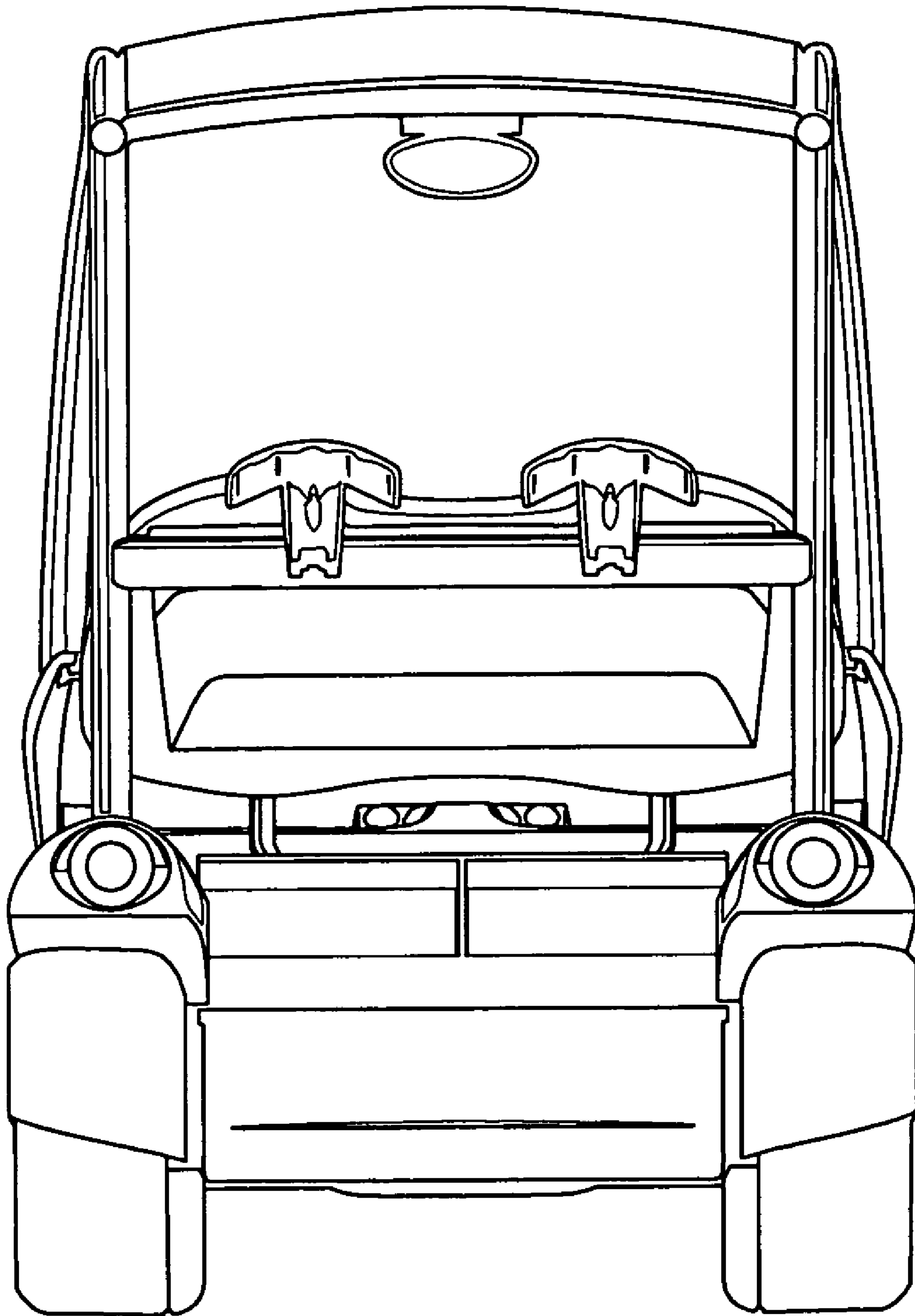


FIG. 3

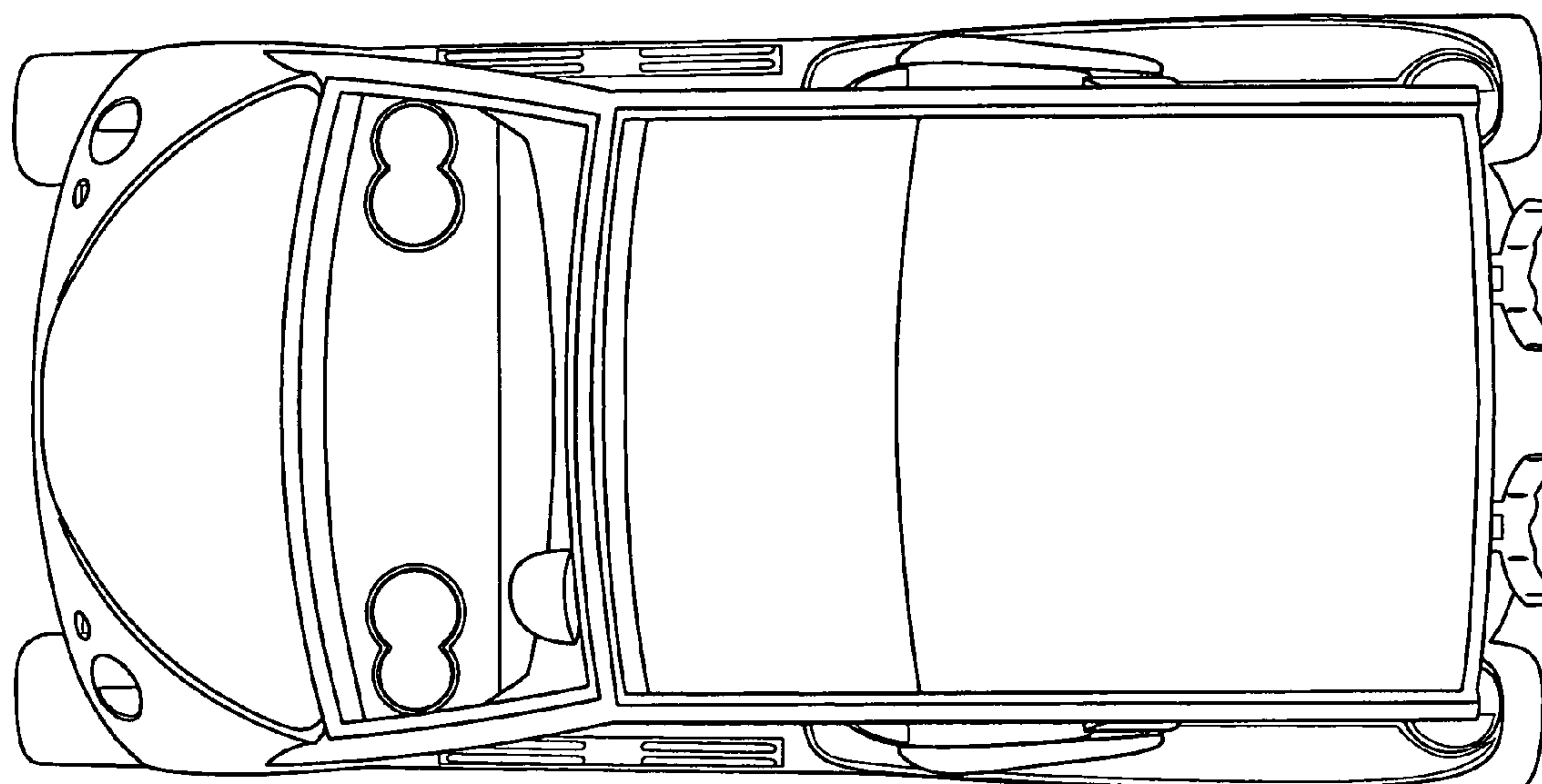


FIG. 4

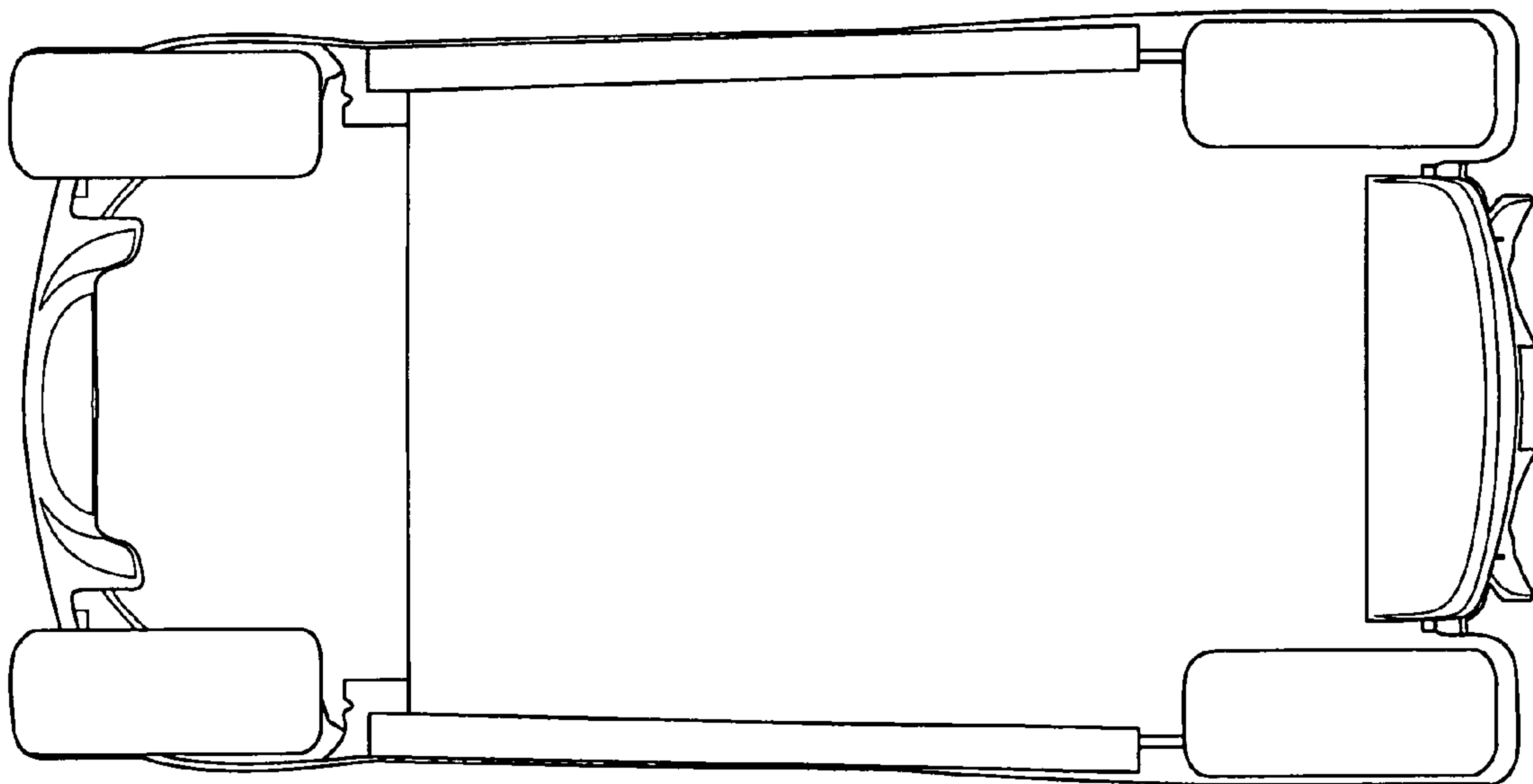


FIG. 5

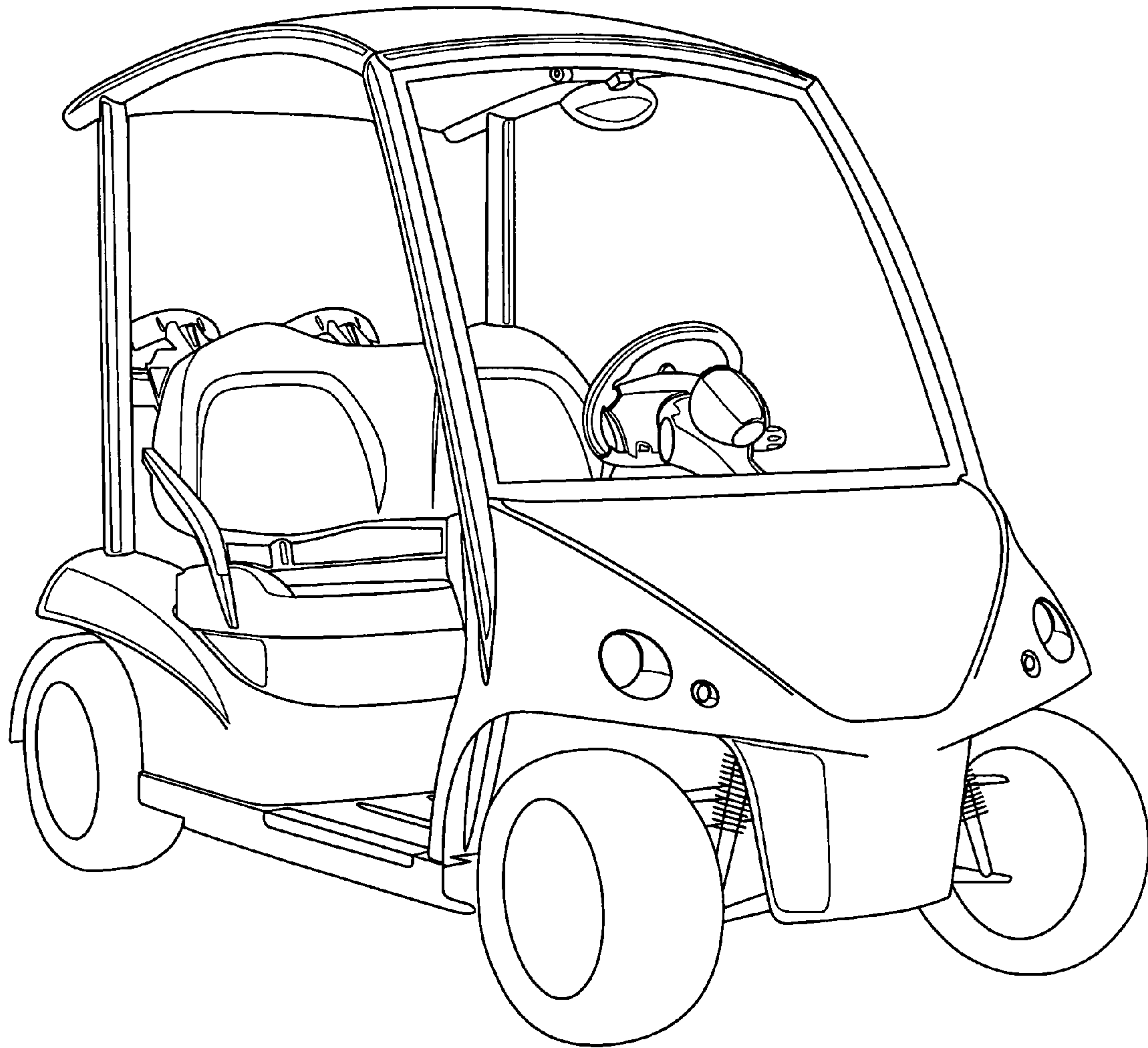


FIG. 6

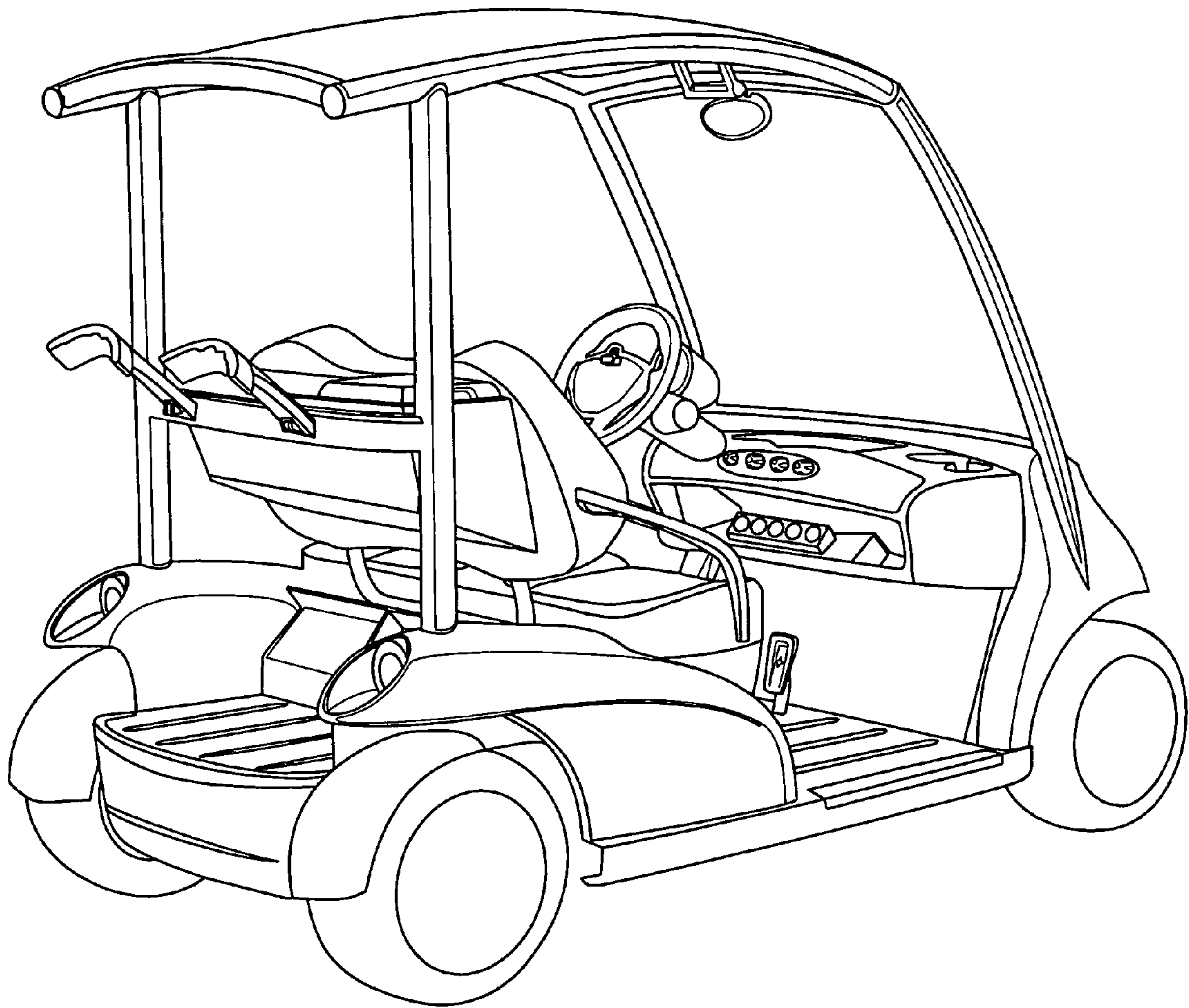


FIG. 7