



US00D652348S

(12) **United States Design Patent**
King et al.

(10) **Patent No.:** **US D652,348 S**
(45) **Date of Patent:** **** Jan. 17, 2012**

(54) **VEHICLE**

(75) Inventors: **Bryan Lewis King**, Auburn, IN (US);
Rick Lynn Miller, Hicksville, OH (US)

(73) Assignee: **American SportWorks LLC**, Fort
Wayne, IN (US)

(**) Term: **14 Years**

(21) Appl. No.: **29/364,737**

(22) Filed: **Jun. 28, 2010**

(51) **LOC (9) Cl.** **12-13**

(52) **U.S. Cl.** **D12/14**

(58) **Field of Classification Search** D12/87,
D12/86, 1, 433, 15, 16, 107, 82, 88, 89, 90,
D12/91, 92, 93; D15/30; D21/803; 180/233,
180/908; 280/DIG. 5, 183, 184, 185, 186,
280/28, 37.7

See application file for complete search history.

(56) **References Cited**

U.S. PATENT DOCUMENTS

D578,433 S * 10/2008 Kawaguchi et al. D12/14
D579,381 S * 10/2008 Bobbitt et al. D12/14
D579,821 S * 11/2008 Bobbitt et al. D12/14
D586,694 S * 2/2009 Huang et al. D12/14

D592,998 S * 5/2009 Woodard et al. D12/14
D595,613 S * 7/2009 Lai et al. D12/14
D605,555 S * 12/2009 Tanaka et al. D12/14

* cited by examiner

Primary Examiner — T. Chase Nelson

Assistant Examiner — Ania Aman

(74) *Attorney, Agent, or Firm* — Barnes & Thornburg LLP

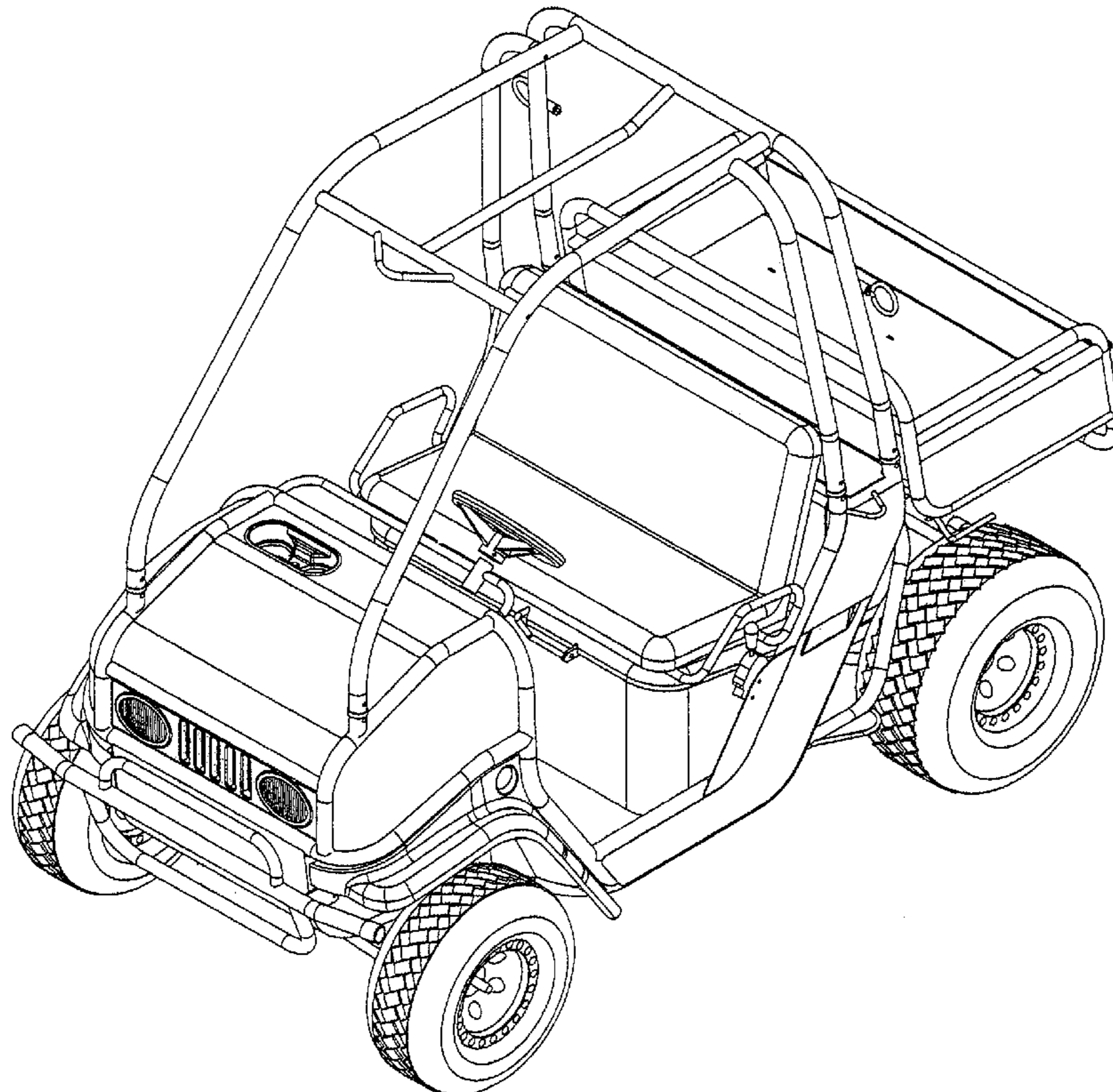
(57) **CLAIM**

The ornamental design for a vehicle, as shown and described.

DESCRIPTION

FIG. 1 is a forward driver side perspective view of a vehicle;
FIG. 2 is a passenger side perspective view of the vehicle of
FIG. 1;
FIG. 3 is a rear driver side perspective view of the vehicle of
FIG. 1;
FIG. 4 is a rear passenger side perspective view of the vehicle
of FIG. 1;
FIG. 5 is a front view of the vehicle of FIG. 1;
FIG. 6 is a driver side view of the vehicle of FIG. 1;
FIG. 7 is a passenger side view of the vehicle of FIG. 1;
FIG. 8 is a rear view of the vehicle of FIG. 1;
FIG. 9 is a top view of the vehicle of FIG. 1; and,
FIG. 10 is a bottom view of the vehicle of FIG. 1, wherein the
portions in broken lines form no part of the claimed design.

1 Claim, 10 Drawing Sheets



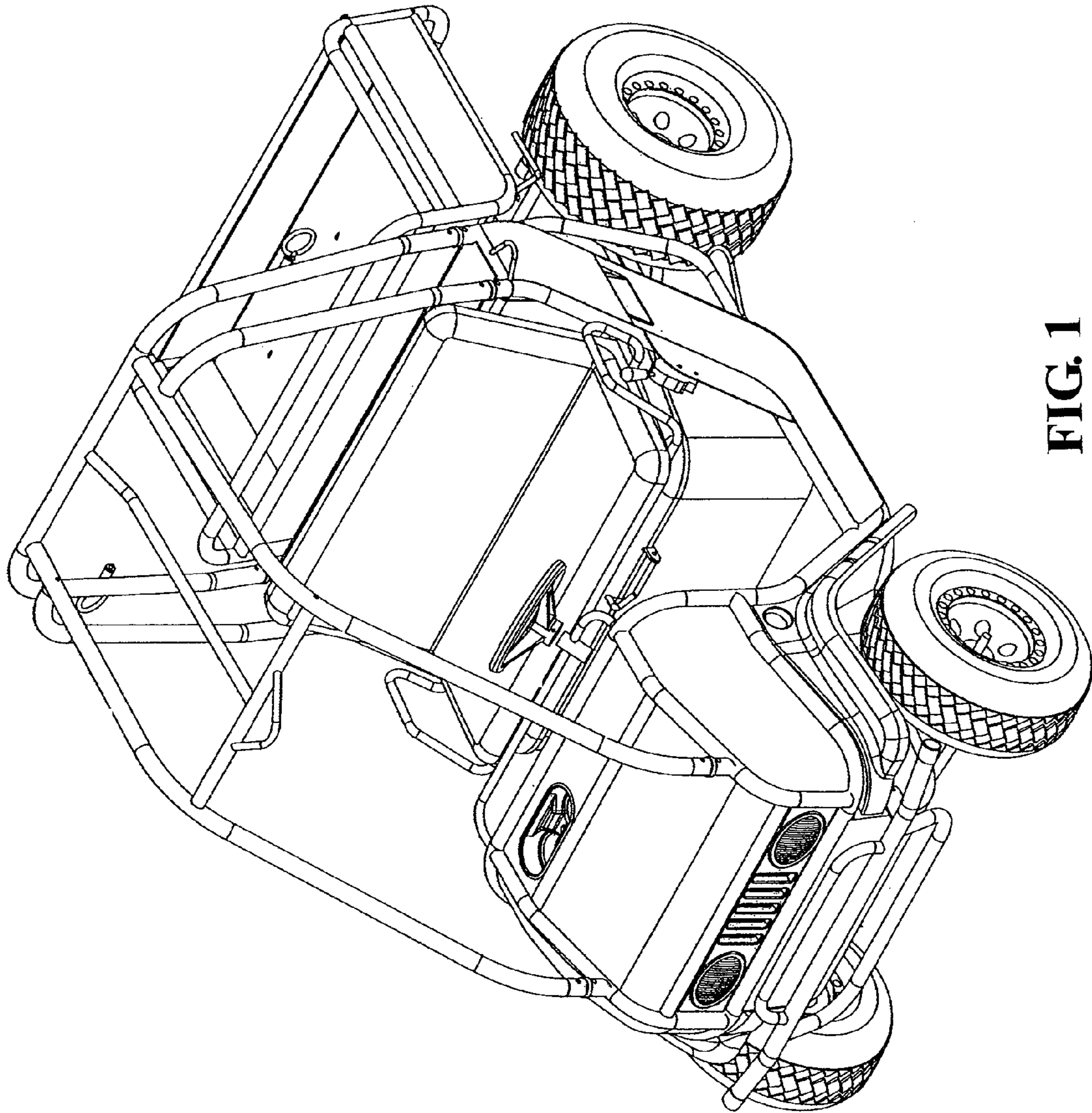


FIG. 1

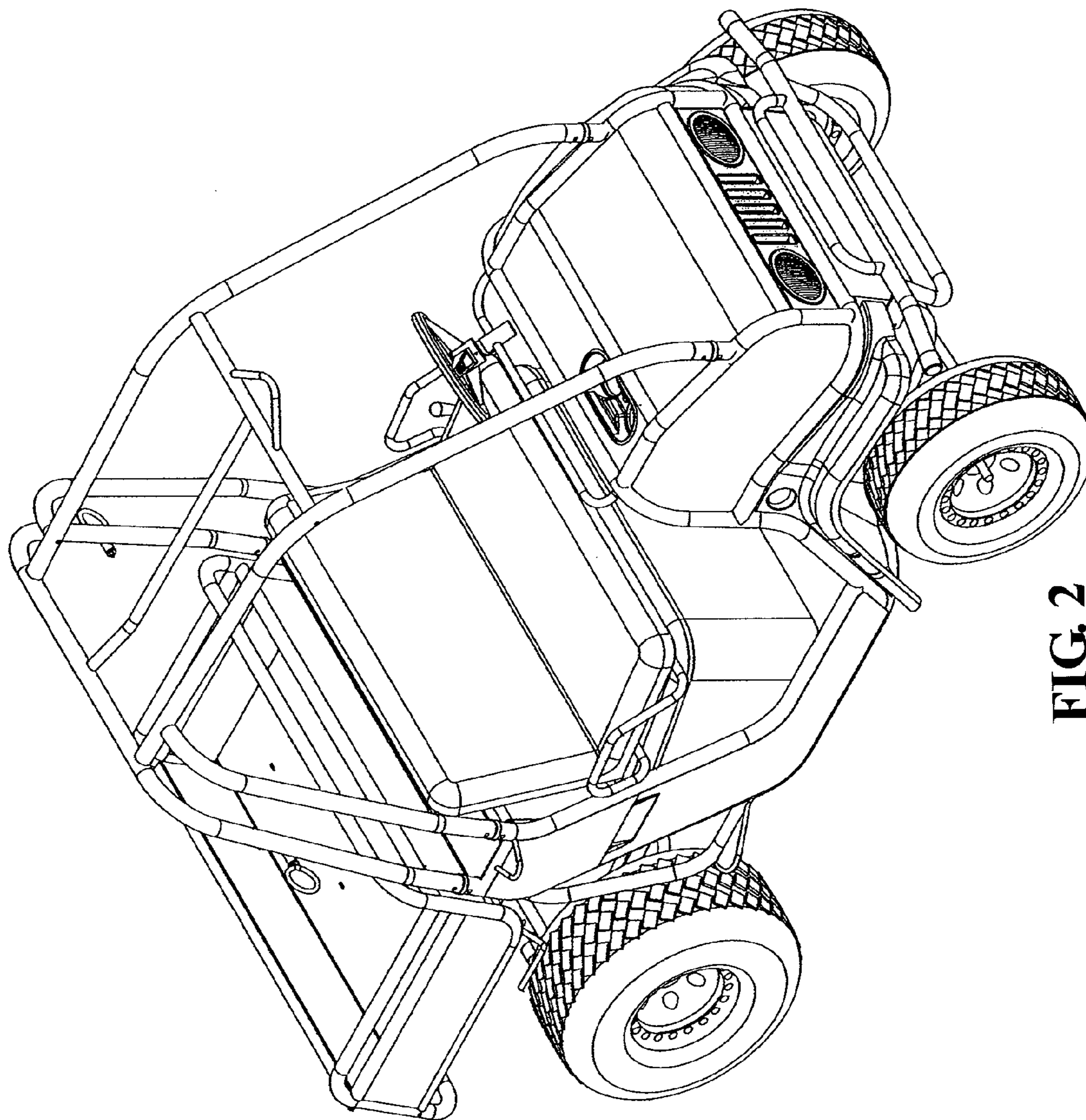


FIG. 2

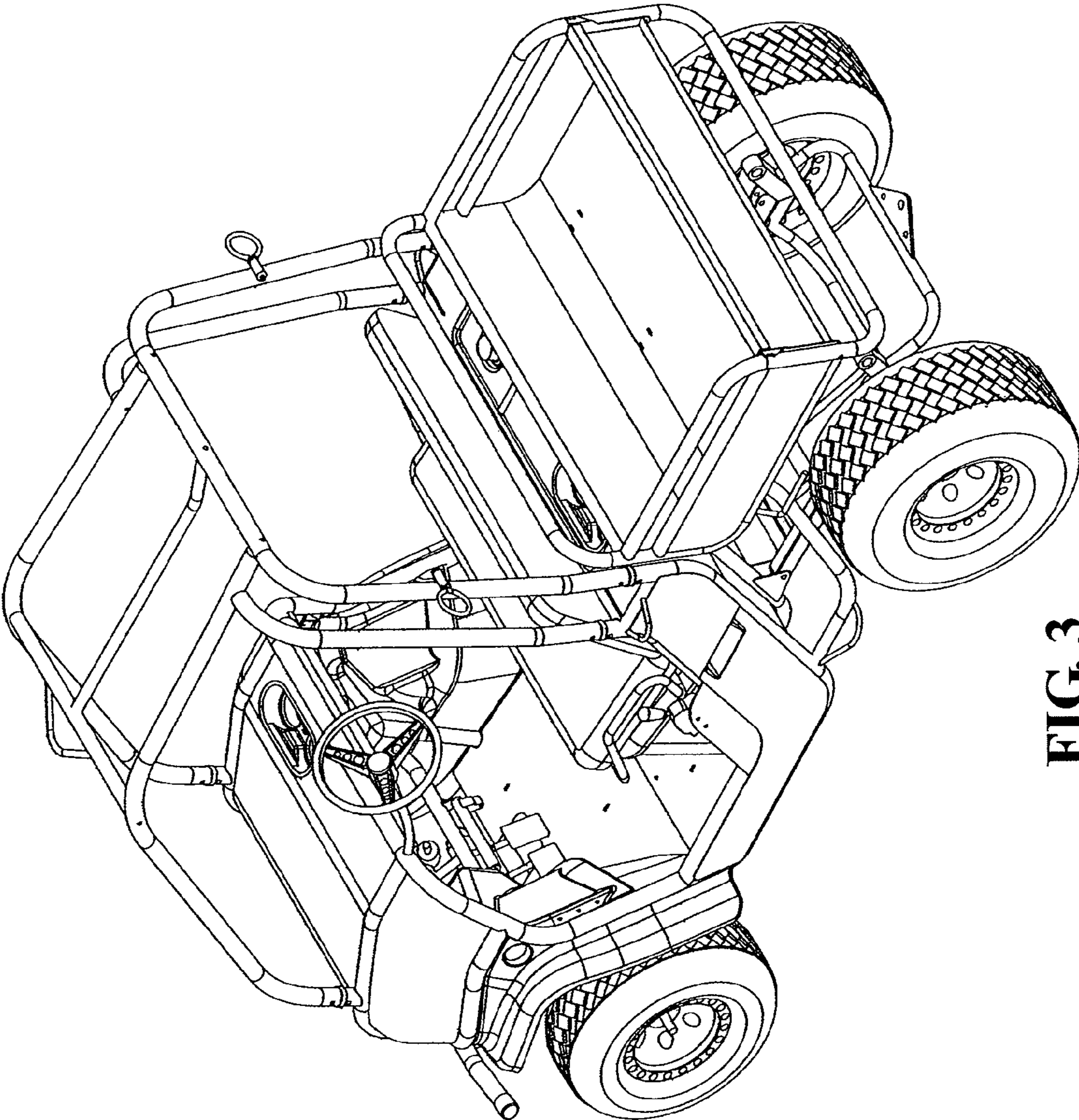


FIG. 3

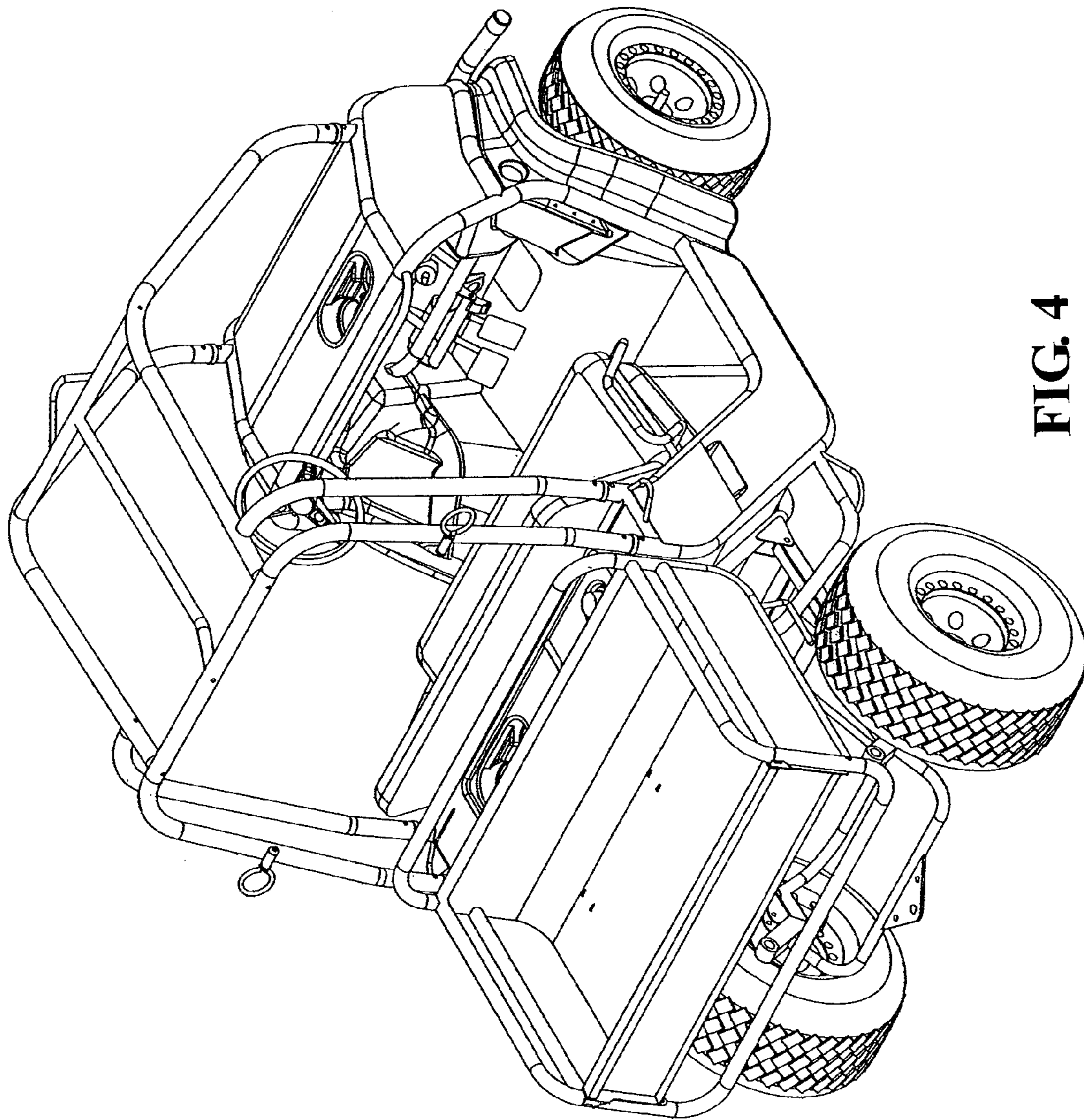


FIG. 4

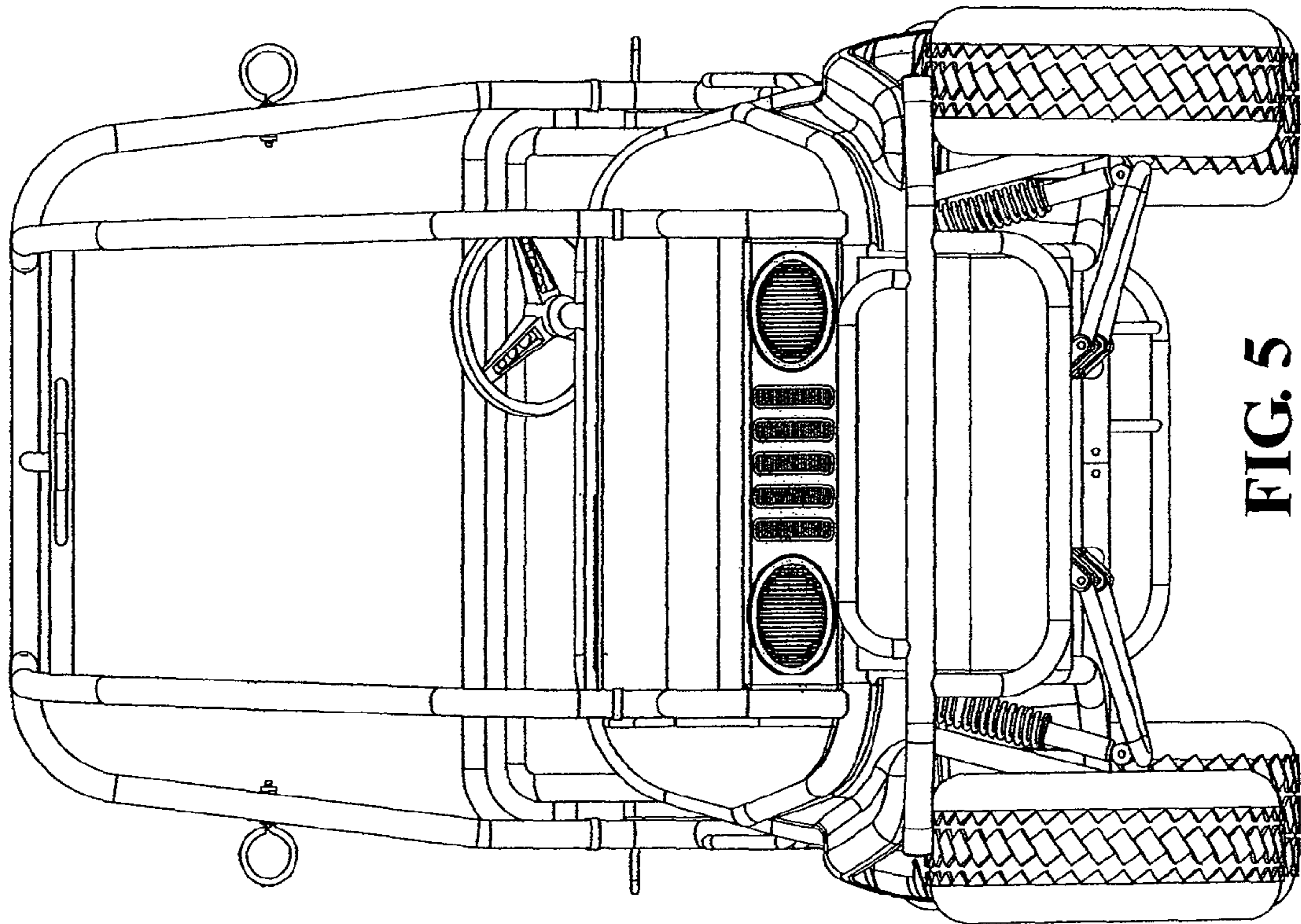


FIG. 5

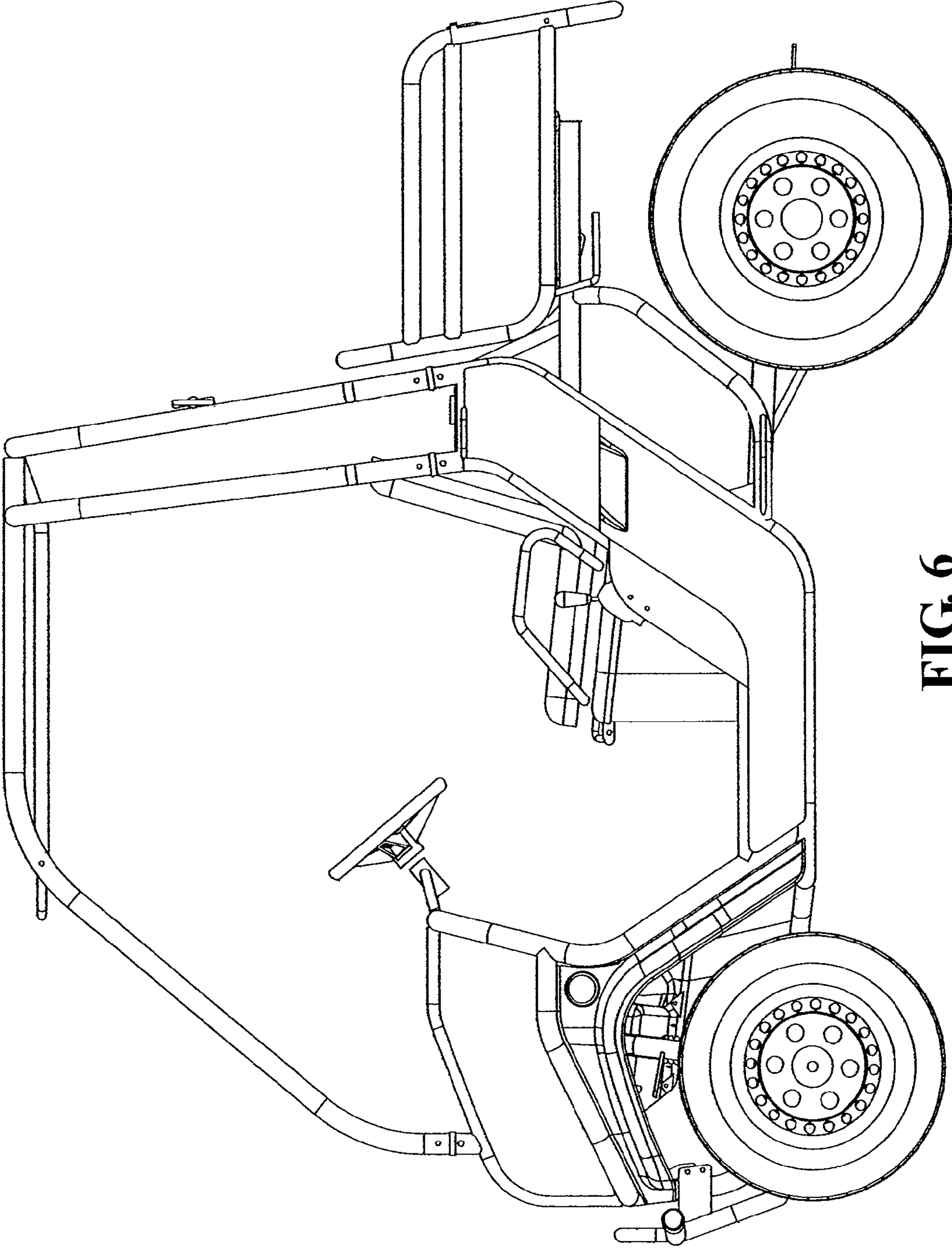


FIG. 6

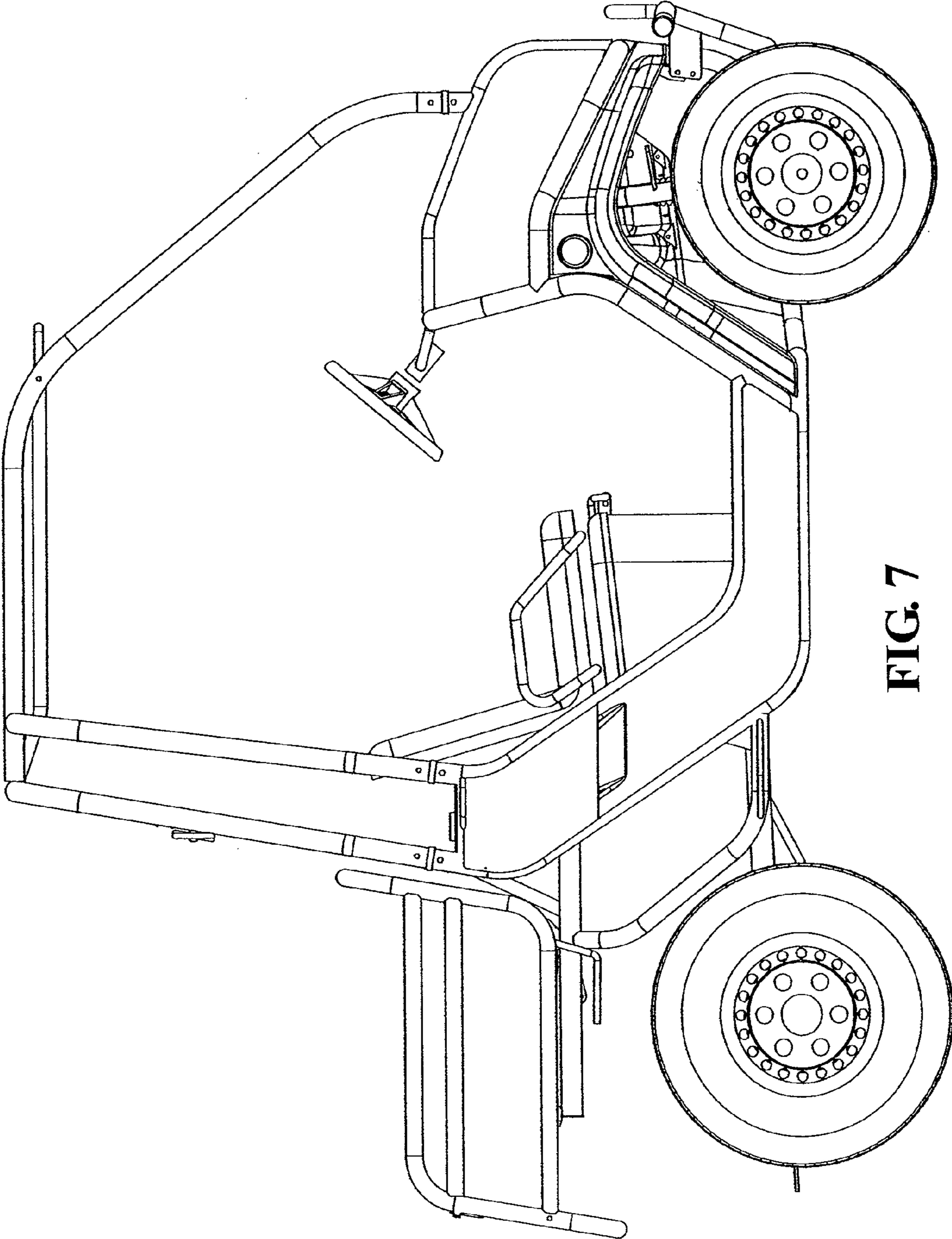


FIG. 7

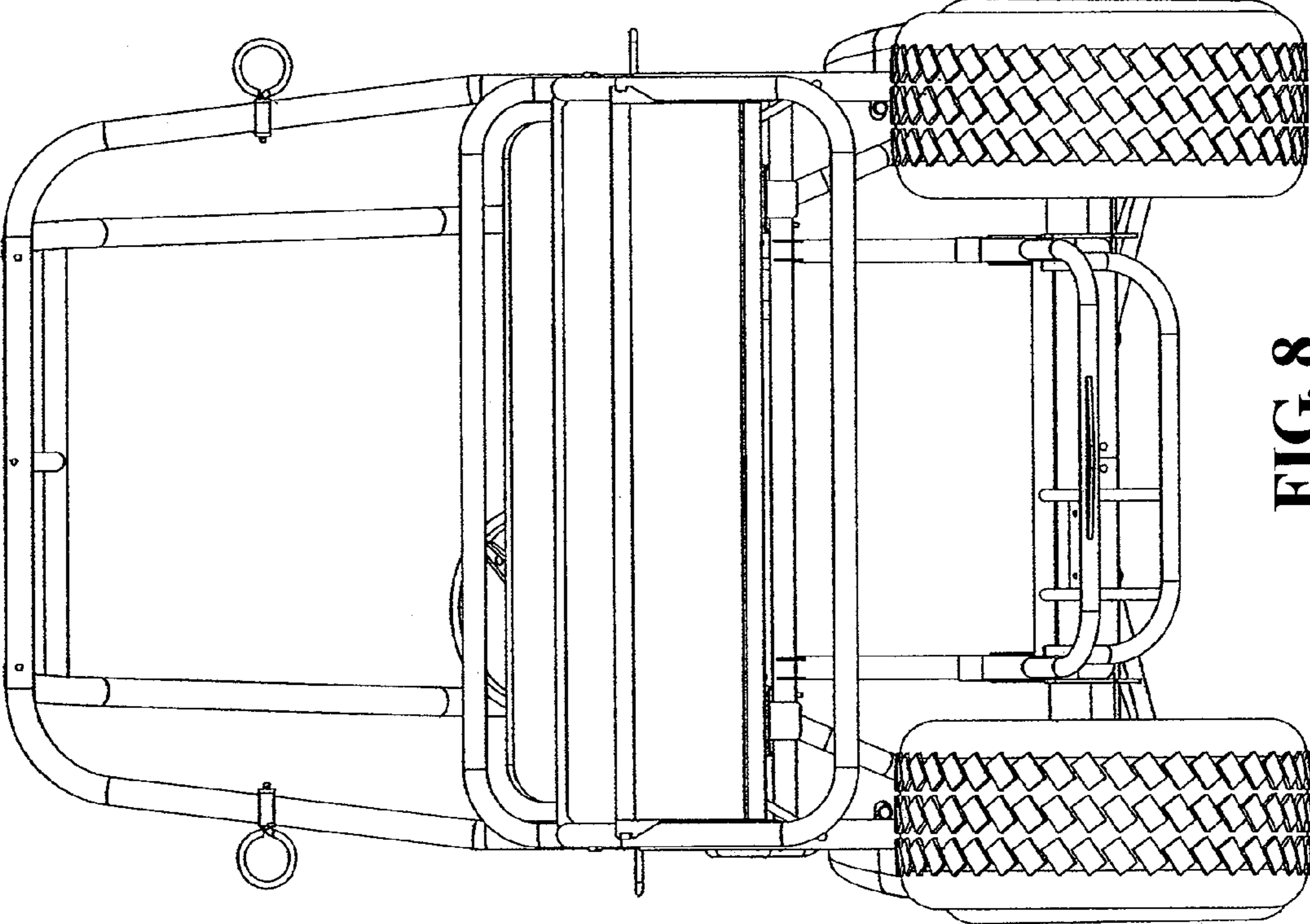


FIG. 8

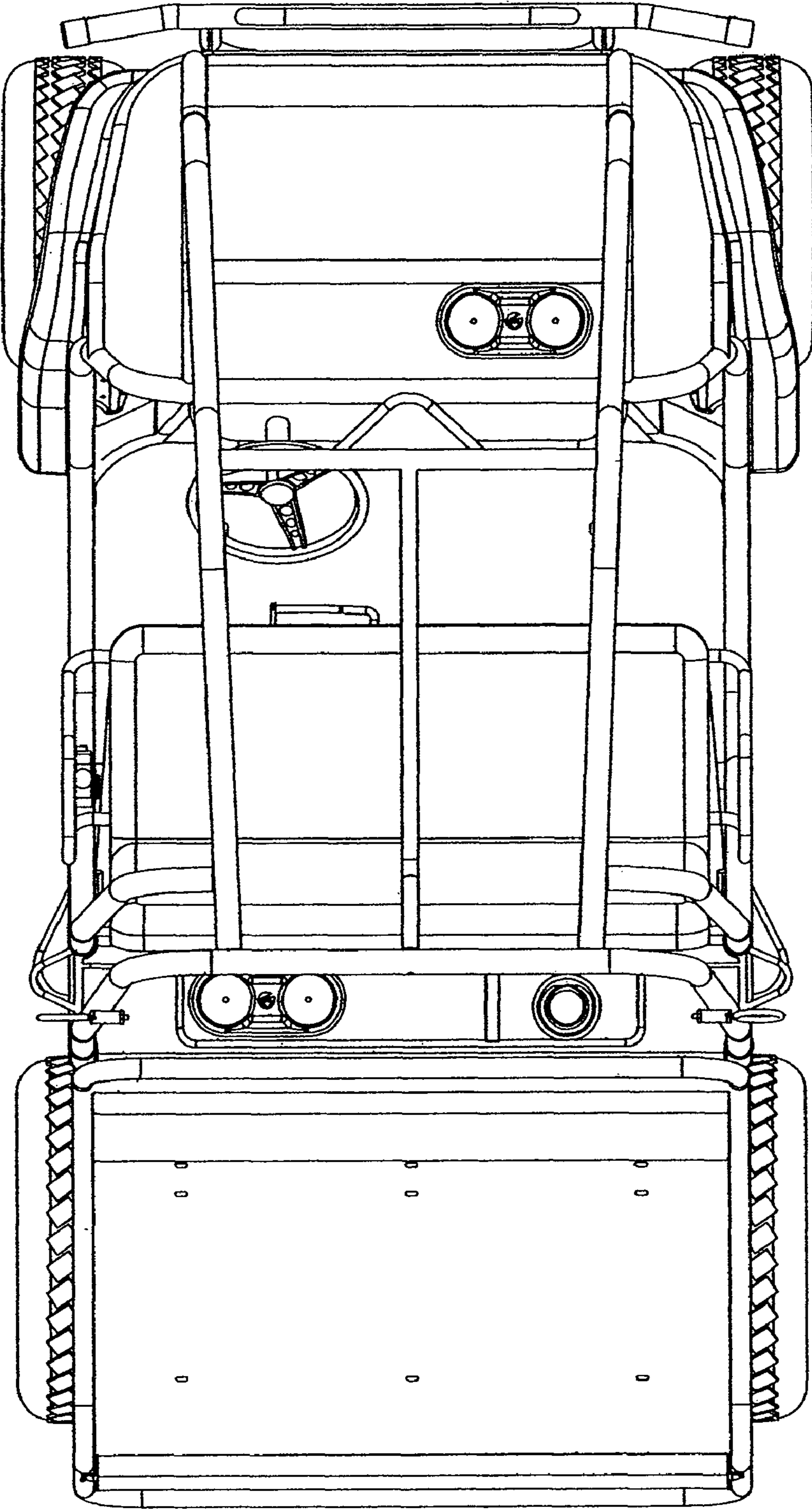


FIG. 9

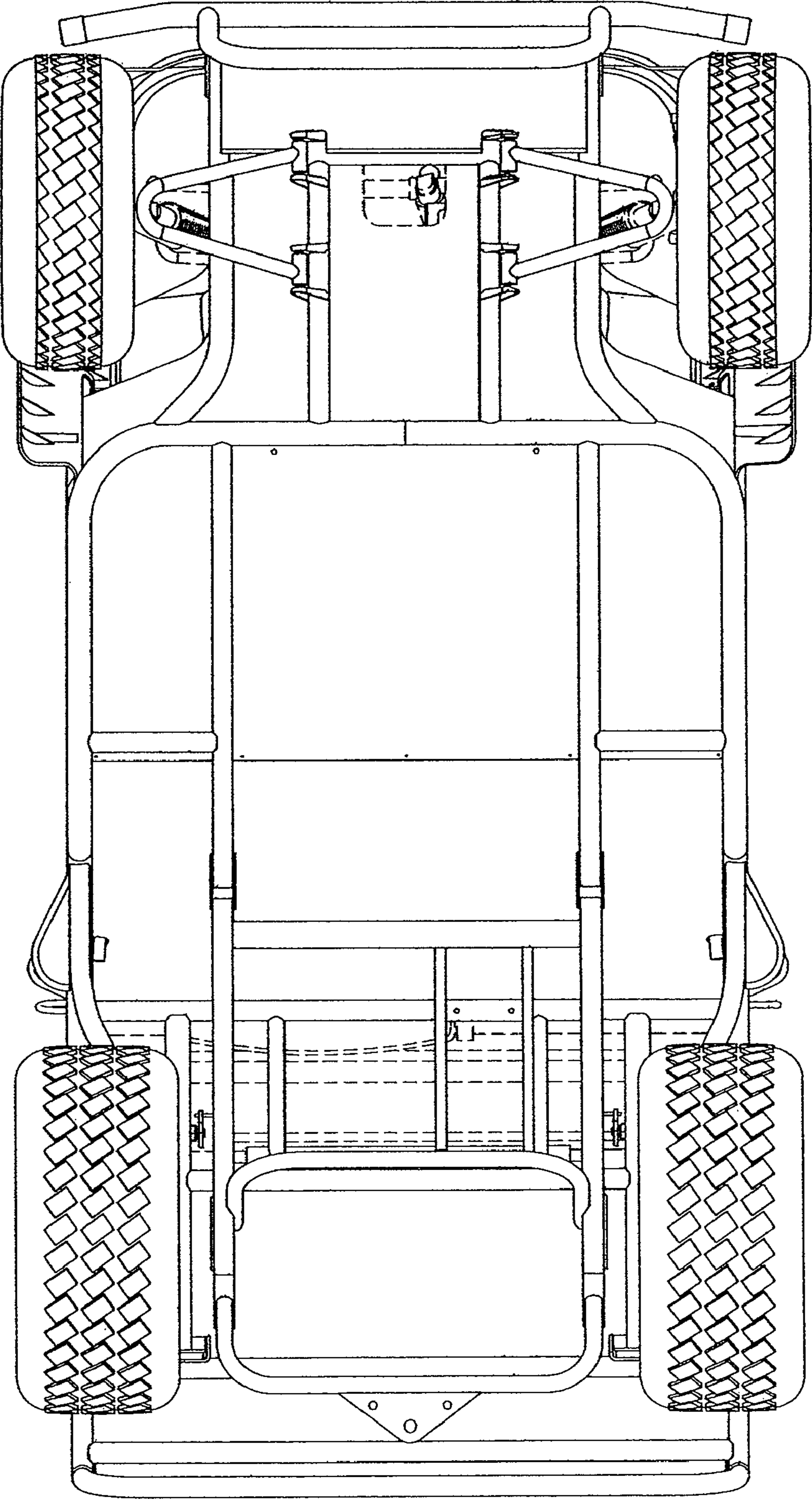


FIG. 10