



US00D652346S

(12) **United States Design Patent**  
**Hamada et al.**

(10) **Patent No.:** **US D652,346 S**  
(45) **Date of Patent:** **\*\* Jan. 17, 2012**

(54) **SLIDER FOR SLIDE FASTENER**  
(75) Inventors: **Yoshikazu Hamada**, Toyama-ken (JP);  
**Yohei Miyazaki**, Toyama-ken (JP)

(73) Assignee: **YKK Corporation** (JP)

(\*\*) Term: **14 Years**

(21) Appl. No.: **29/398,061**

(22) Filed: **Jul. 26, 2011**

(30) **Foreign Application Priority Data**

Jan. 26, 2011 (JP) ..... D2011-001593

(51) **LOC (9) Cl.** ..... **02-07**

(52) **U.S. Cl.** ..... **D11/221**

(58) **Field of Classification Search** ..... D11/200,  
D11/201, 221; 24/381-383, 385-387, 414-417,  
24/421-422, 427-431, 433; 2/265

See application file for complete search history.

(56) **References Cited**

**U.S. PATENT DOCUMENTS**

D313,953 S \* 1/1991 Minami ..... D11/221  
D380,988 S \* 7/1997 Mizuno ..... D11/221  
D437,805 S \* 2/2001 Yoneoka ..... D11/221  
D441,319 S \* 5/2001 Yoneoka ..... D11/221  
D484,829 S \* 1/2004 Yamamoto et al. .... D11/221  
D497,570 S \* 10/2004 Iwase ..... D11/221

D497,835 S \* 11/2004 Yoneoka et al. .... D11/221  
D497,836 S \* 11/2004 Iwase ..... D11/221  
D511,316 S \* 11/2005 Hamada et al. .... D11/221  
D608,247 S \* 1/2010 Keyaki et al. .... D11/221  
D643,776 S \* 8/2011 Keyaki et al. .... D11/221  
D643,779 S \* 8/2011 Di Girolami et al. .... D11/221

**FOREIGN PATENT DOCUMENTS**

JP 712718-3 11/1991

\* cited by examiner

*Primary Examiner* — Ralf Seifert

(74) *Attorney, Agent, or Firm* — Kilpatrick Townsend & Stockton LLP

(57) **CLAIM**

The ornamental design for a slider for slide fastener, as shown and described.

**DESCRIPTION**

FIG. 1 is a perspective view of the top, front and left side of a slider for slide fastener showing my (our) new design; FIG. 2 is a front view thereof; FIG. 3 is a rear view thereof; FIG. 4 is a top plan view thereof; FIG. 5 is a bottom view thereof; and, FIG. 6 is a right side view thereof, the left side view being mirror image thereof.

The portions of the article in broken lines are shown for illustrative purposes only and form no part of the claimed design.

**1 Claim, 4 Drawing Sheets**

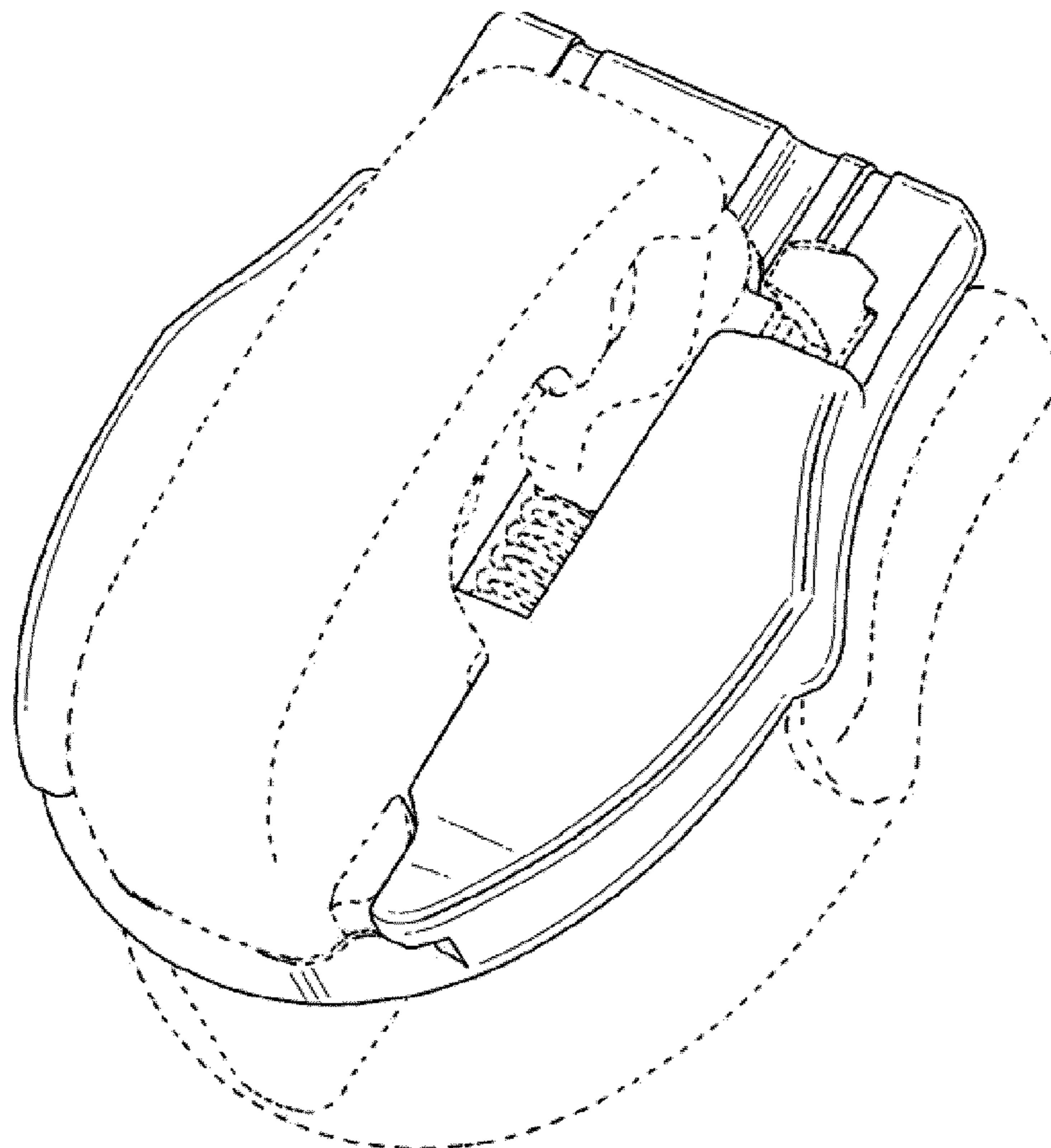


Fig. 1

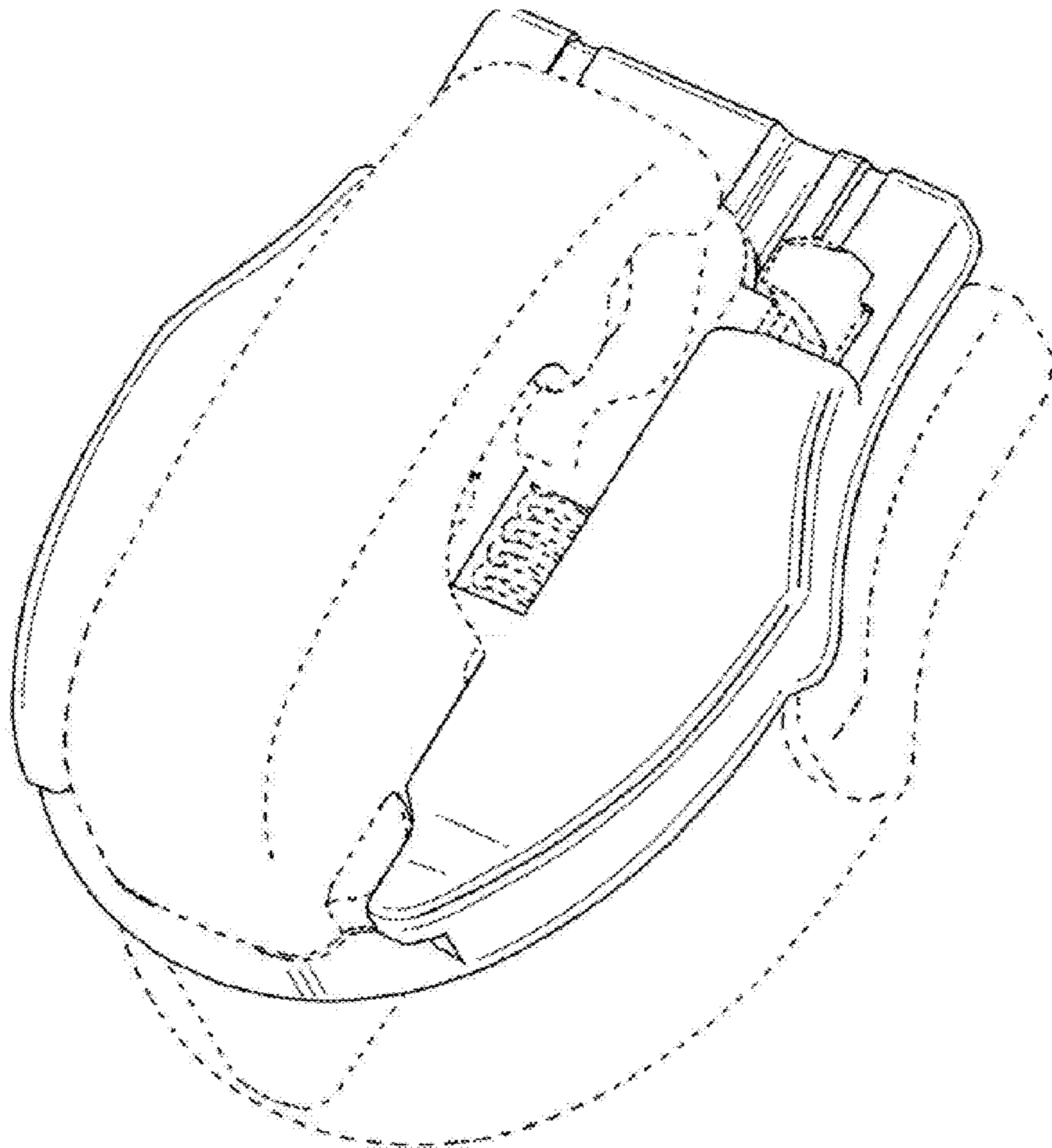


Fig. 2

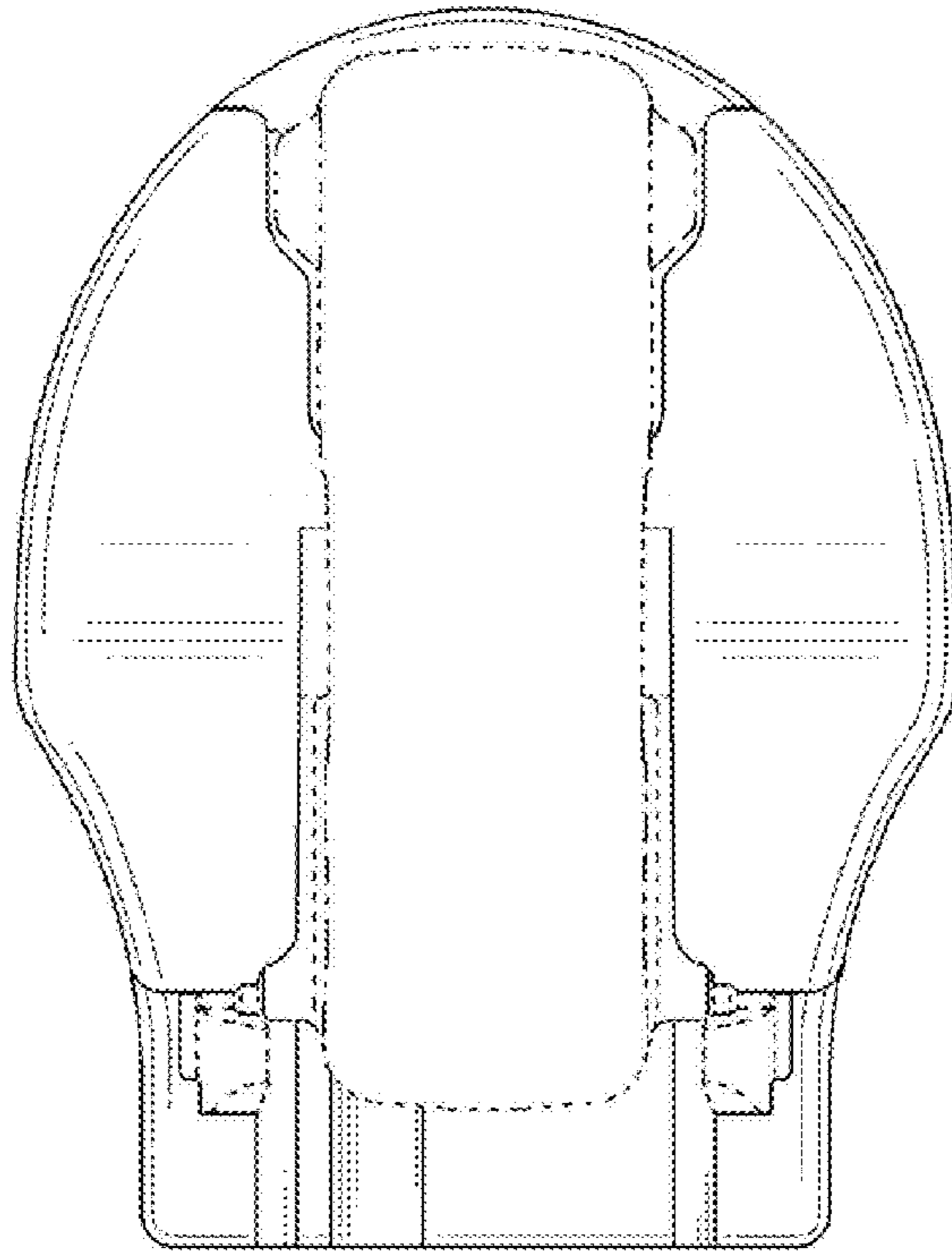


Fig. 3

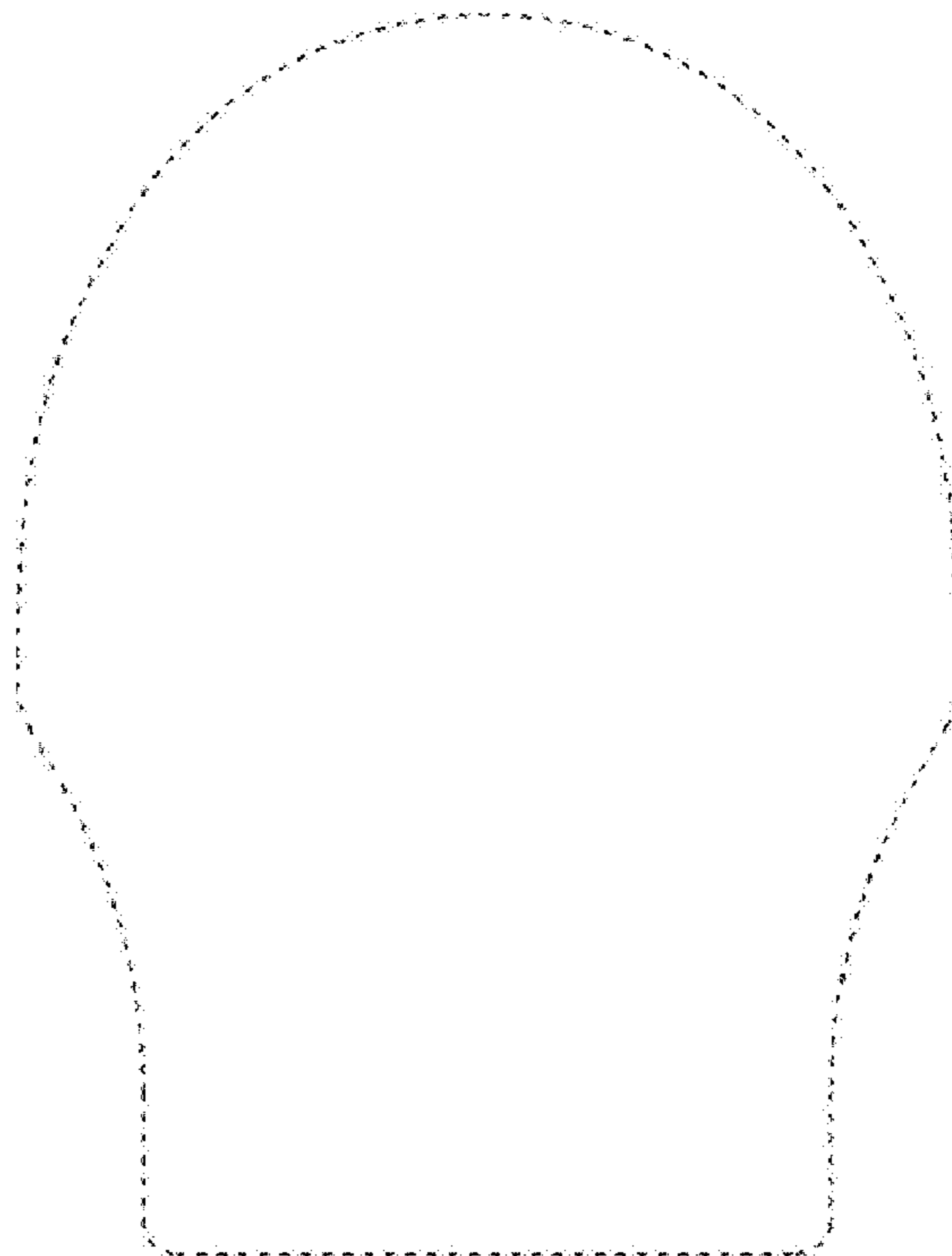


Fig. 4

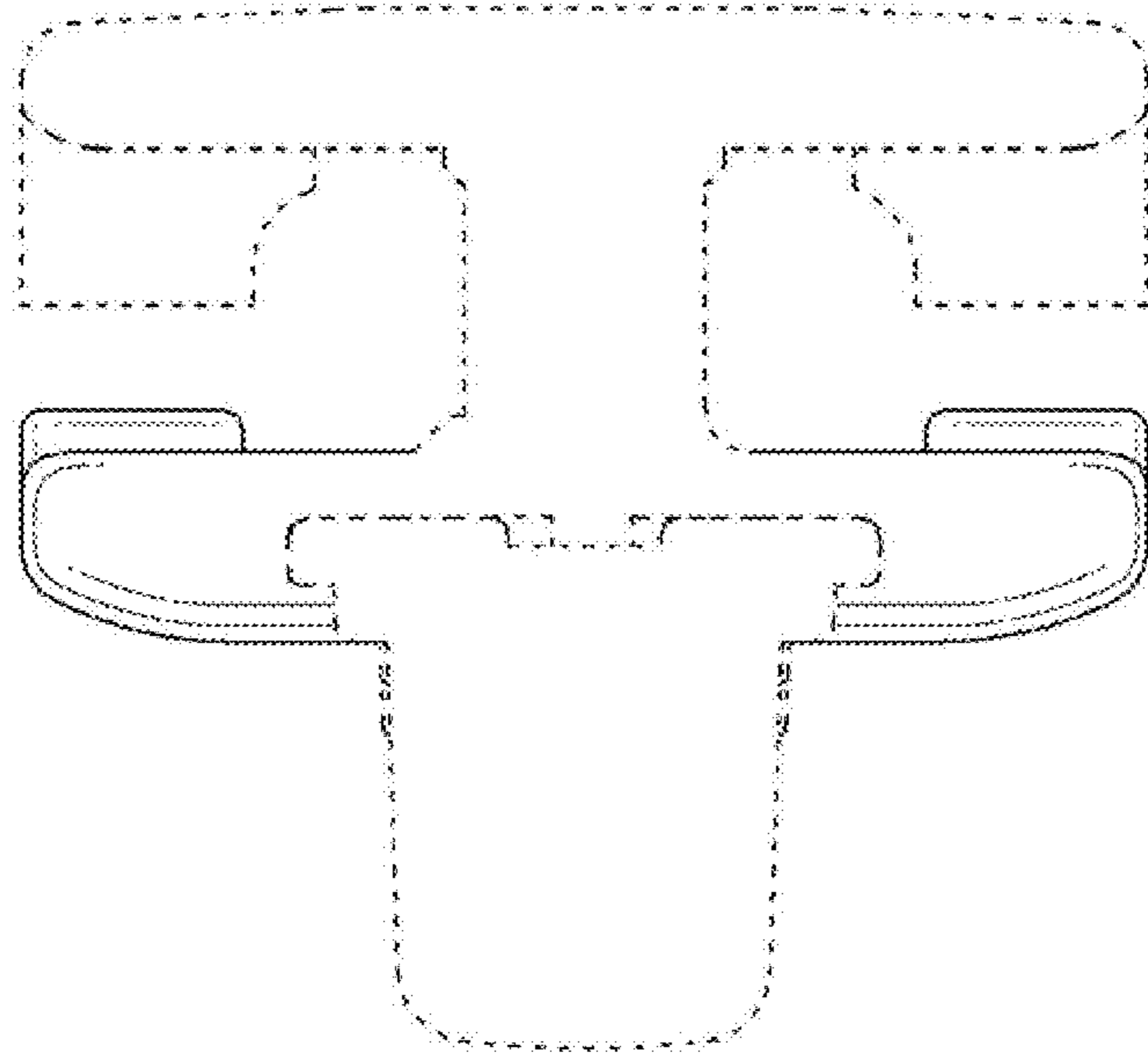


Fig. 5

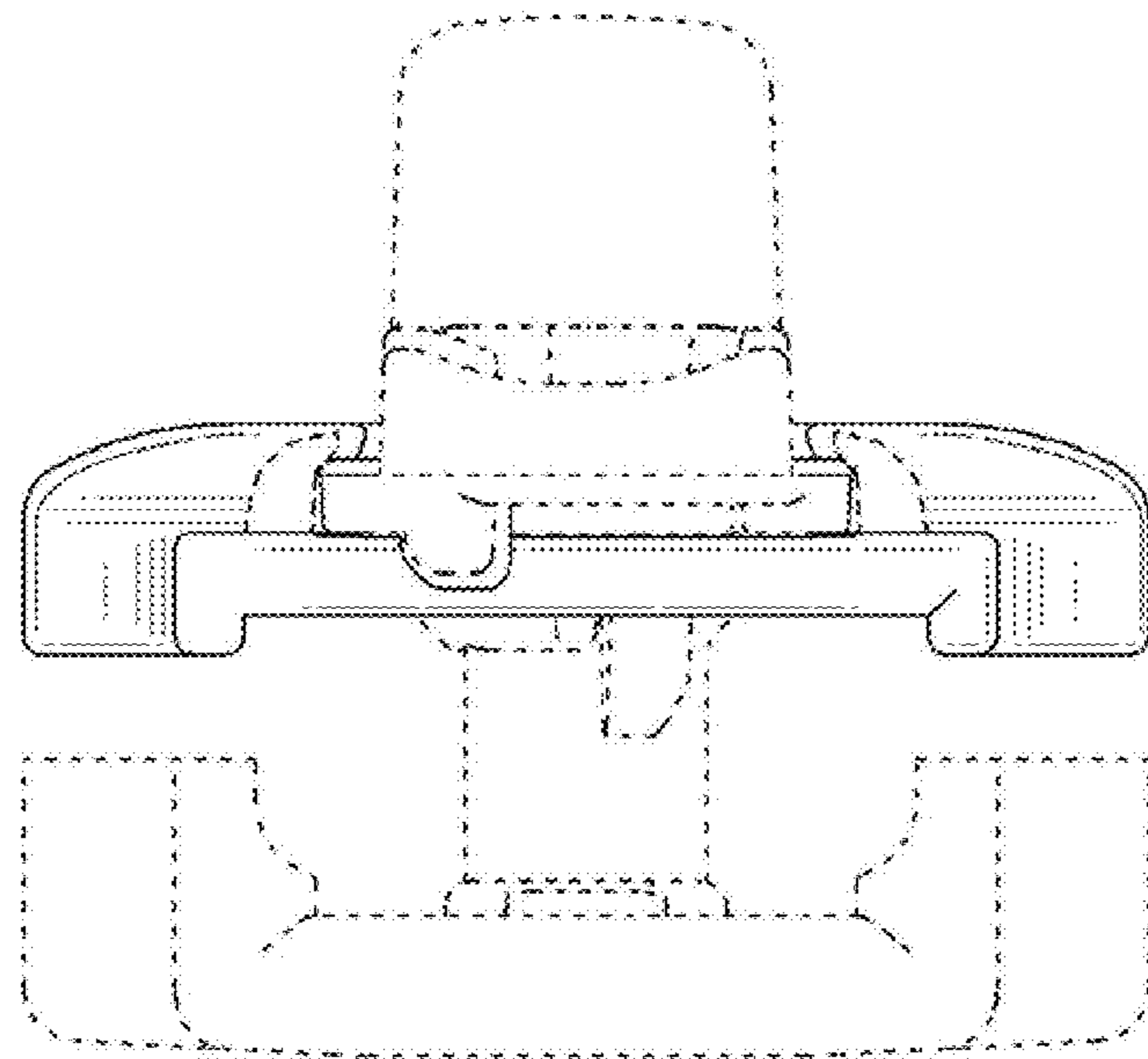


Fig. 6

