



US00D652345S

(12) **United States Design Patent**
Hamada et al.

(10) **Patent No.:** **US D652,345 S**
(45) **Date of Patent:** **** Jan. 17, 2012**

(54) **SLIDER FOR SLIDE FASTENER**
(75) Inventors: **Yoshikazu Hamada**, Toyama-ken (JP);
Yohei Miyazaki, Toyama-ken (JP)

D510,298 S * 10/2005 Hamada et al. D11/221
D511,315 S * 11/2005 Hamada et al. D11/221
D643,332 S * 8/2011 Iwase D11/221
D644,957 S * 9/2011 Blackford et al. D11/221

(73) Assignee: **YKK Corporation** (JP)

FOREIGN PATENT DOCUMENTS

(**) Term: **14 Years**

JP 831391 1/1991

* cited by examiner

(21) Appl. No.: **29/398,020**

Primary Examiner — Ralf Seifert

(22) Filed: **Jul. 25, 2011**

(74) *Attorney, Agent, or Firm* — Kilpatrick Townsend & Stockton LLP

(30) **Foreign Application Priority Data**

(57) **CLAIM**

Jan. 26, 2011 (JP) D2011-001596

The ornamental design for a slider for slide fastener, as shown and described.

(51) **LOC (9) Cl.** **02-07**

DESCRIPTION

(52) **U.S. Cl.** **D11/221**

(58) **Field of Classification Search** D11/200,
D11/201, 221; 24/381–383, 385–387, 414–417,
24/421–422, 427–431, 433; 2/265
See application file for complete search history.

FIG. 1 is a perspective view of the top, front and left side of a slider for slide fastener showing my (our) new design;
FIG. 2 is a front view thereof;
FIG. 3 is a rear view thereof;
FIG. 4 is a top plan view thereof;
FIG. 5 is a bottom view thereof; and,
FIG. 6 is a right side view thereof, the left side view being mirror image thereof.
The portions of the article in broken lines are shown for illustrative purposes only and form no part of the claimed design.

(56) **References Cited**

U.S. PATENT DOCUMENTS

D304,023 S * 10/1989 Minami D11/221
D366,012 S * 1/1996 Aoki D11/221
D366,230 S * 1/1996 Aoki D11/221
D403,987 S * 1/1999 Minato D11/221
D498,434 S * 11/2004 Iwase D11/221

1 Claim, 4 Drawing Sheets

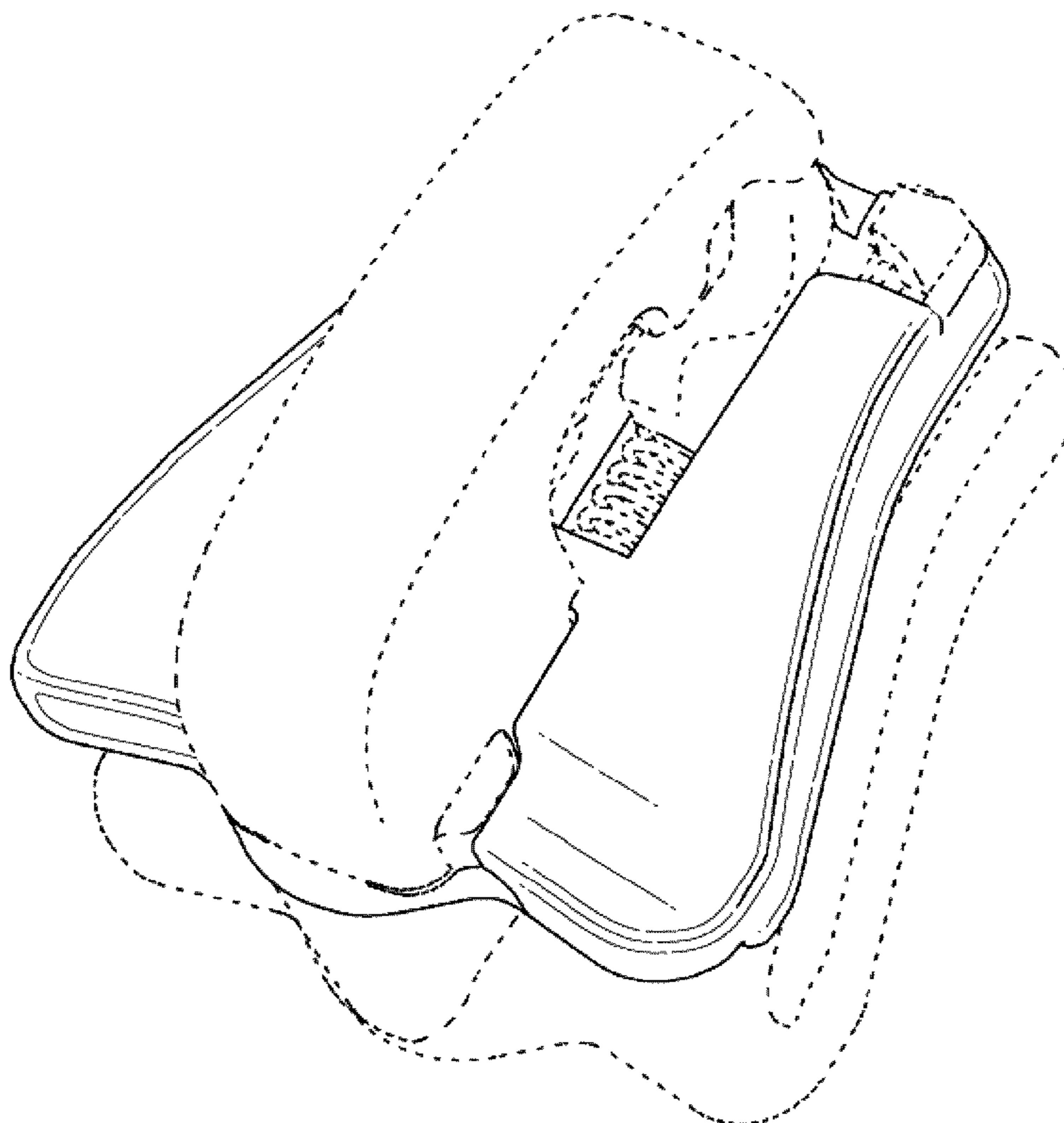


Fig. 1

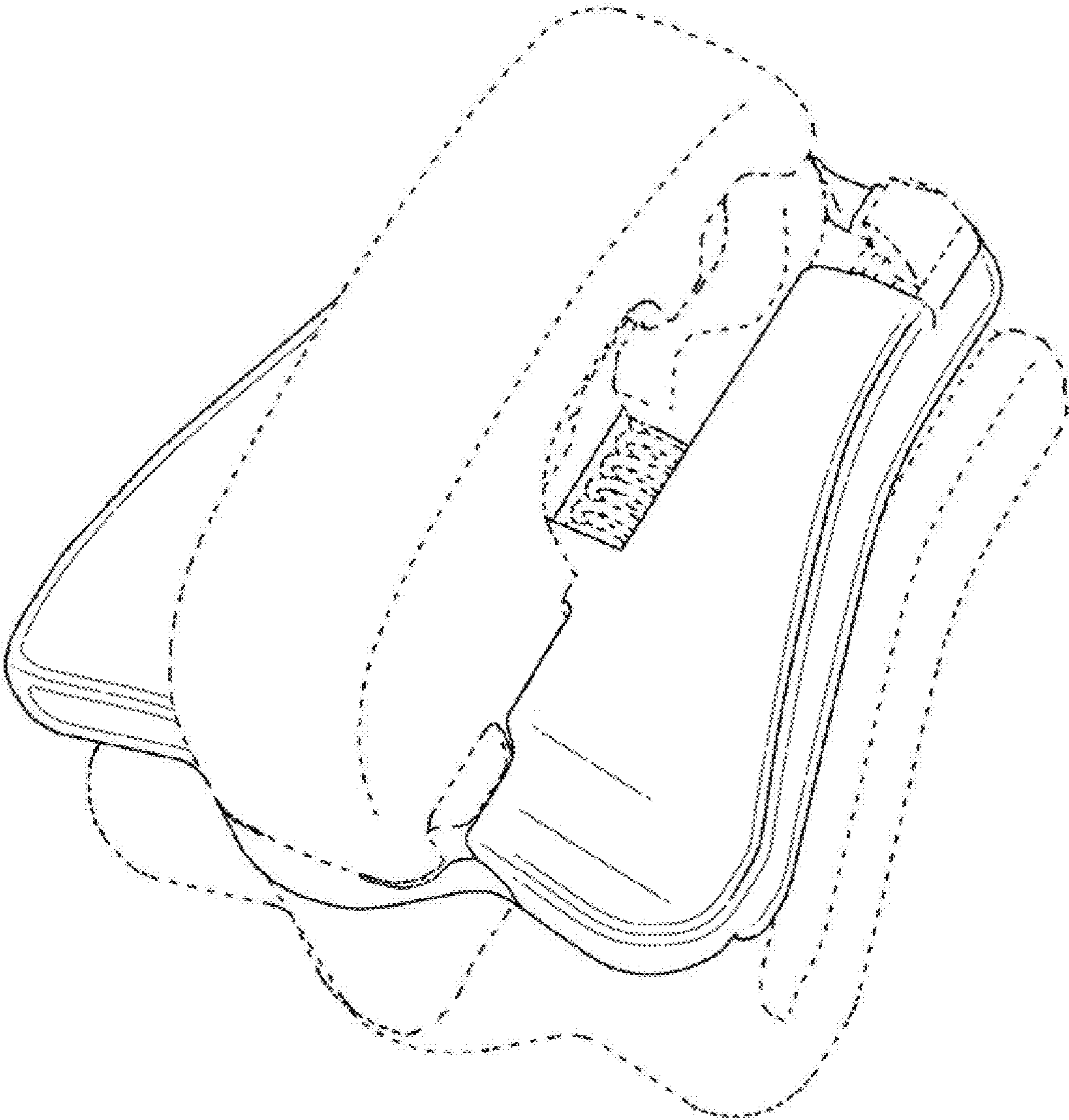


Fig. 2

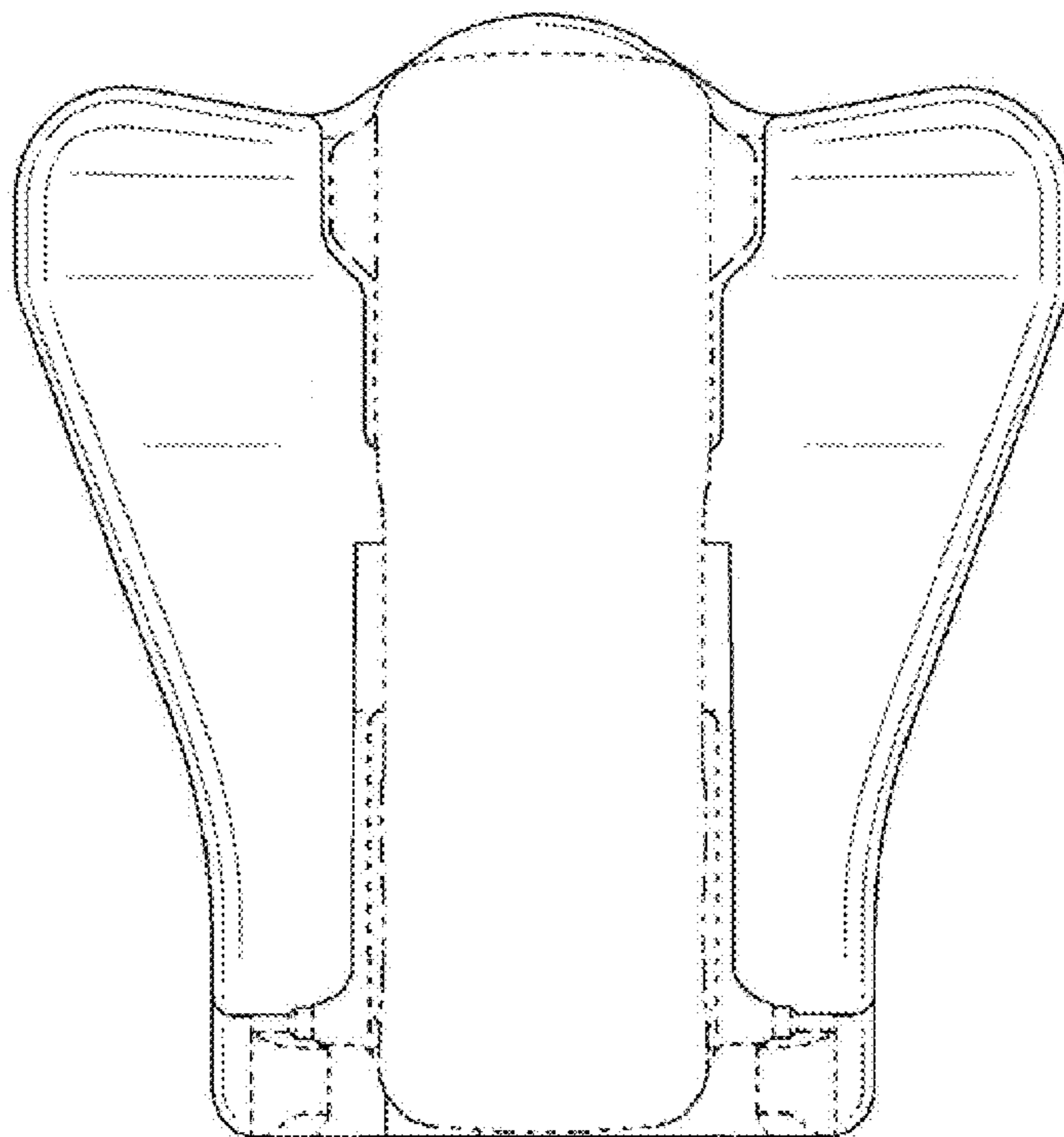


Fig. 3

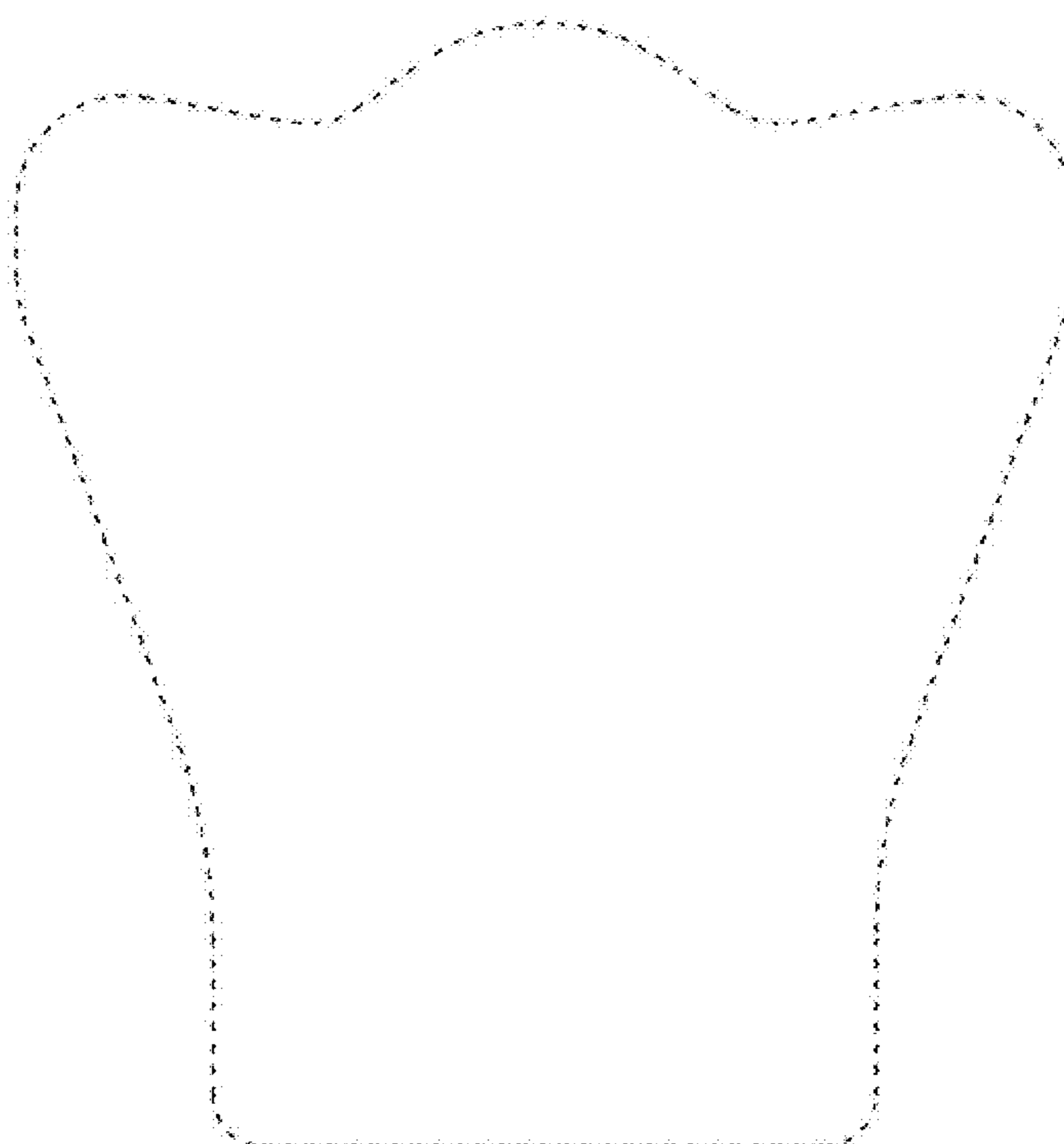


Fig. 4

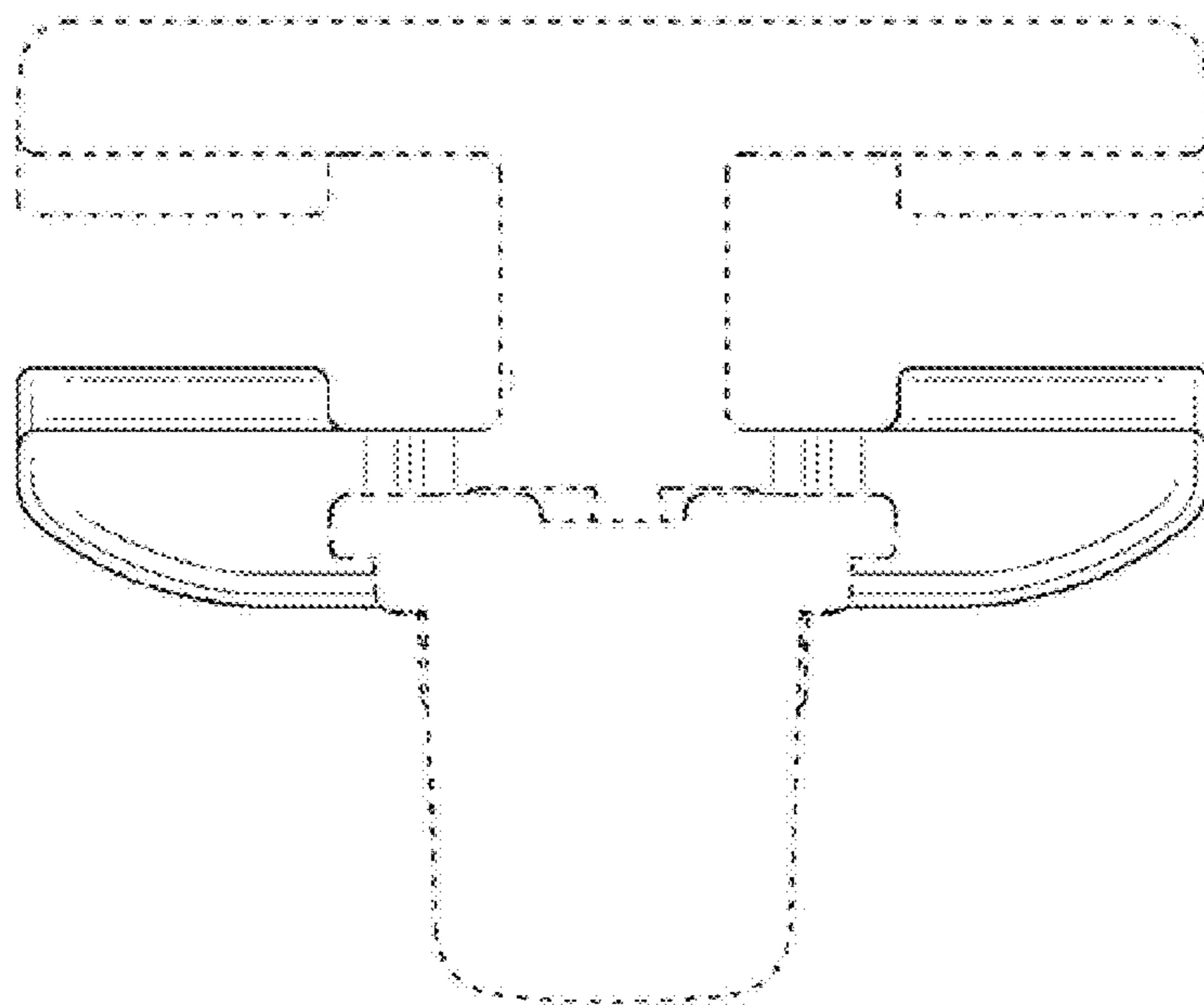


Fig. 5

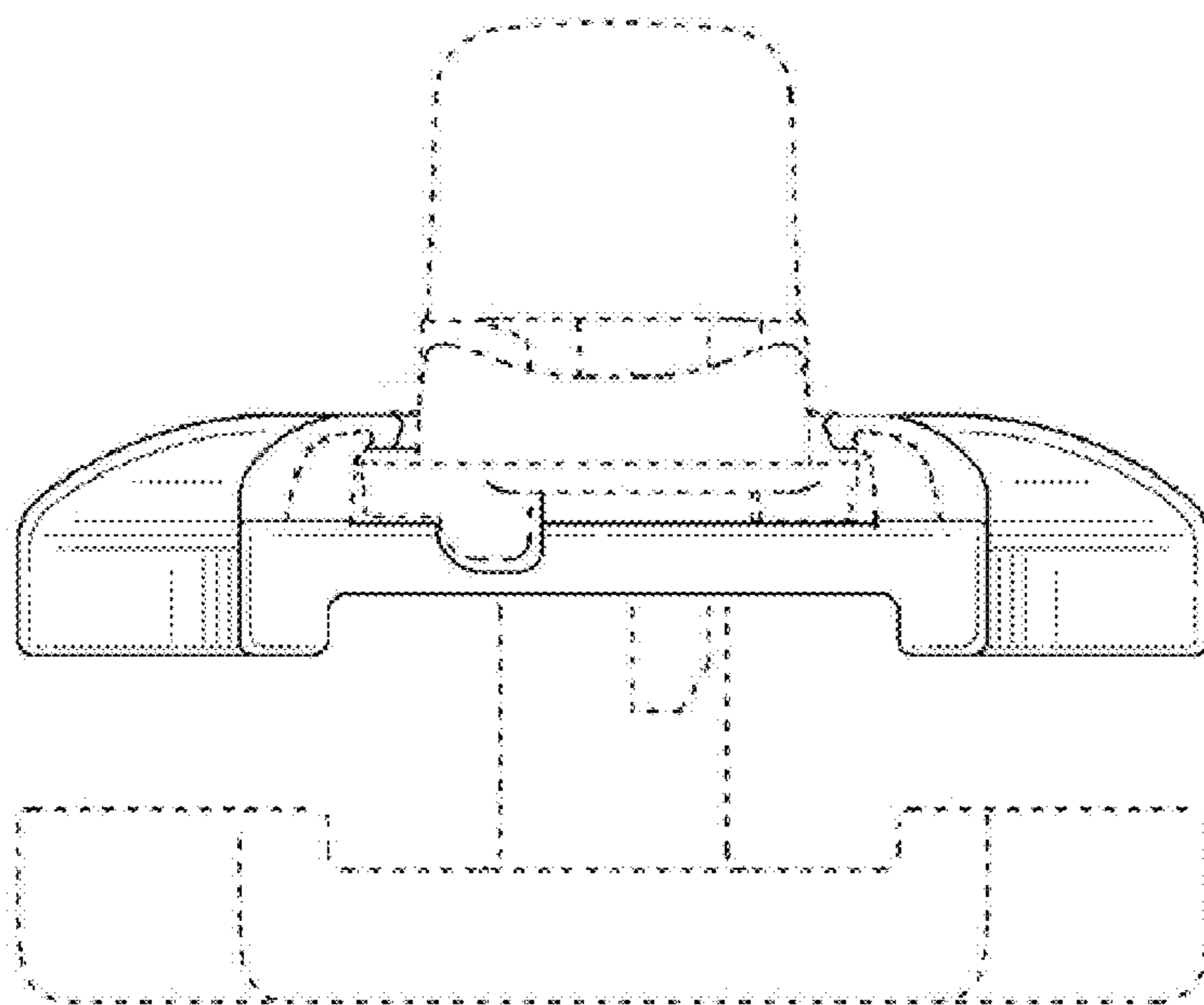


Fig. 6

