



US00D652343S

(12) **United States Design Patent**
Hunter et al.

(10) **Patent No.:** **US D652,343 S**
(45) **Date of Patent:** **** Jan. 17, 2012**

(54) **PLANTER/FEEDER**

(75) Inventors: **Arthur C. Hunter**, McKinleyville, CA
(US); **Timothy L. Thomason**, Kerrville,
TX (US)

(73) Assignee: **Nature Blinds, LLC**, Kerrville, TX (US)

(**) Term: **14 Years**

(21) Appl. No.: **29/390,315**

(22) Filed: **Apr. 22, 2011**

(51) **LOC (9) Cl.** **11-02**

(52) **U.S. Cl.** **D11/149; D30/121**

(58) **Field of Classification Search** D6/403-405,
D6/556-558; D8/1; D11/143-156, 164;
D19/77, 80, 81; D25/100; D26/9-11, 16;
D34/1, 2, 4-6; D99/5, 19; 47/32.4, 32.5,
47/32.7, 33, 41.01, 41.1, 41.11-41.15, 44-47,
47/65, 65.5, 65.9, 66.1, 66.2, 66.6, 66.7,
47/67-71

See application file for complete search history.

(56) **References Cited**

U.S. PATENT DOCUMENTS

767,175 A * 8/1904 Sibole 47/72
1,239,346 A * 9/1917 Brown 11/151
D60,913 S * 4/1922 Lyon D11/156

D166,418 S * 4/1952 Sandkuhle D11/156
D197,290 S * 1/1964 Monkarsh D11/151
D230,295 S * 2/1974 Rosenwach D11/156
4,076,490 A * 2/1978 Hilker 431/125
D381,777 S * 7/1997 Tuck D30/121
5,819,687 A * 10/1998 Lister 30/121
D412,368 S * 7/1999 Gazzola et al. D26/7
D429,350 S * 8/2000 Tingley D26/7
D461,917 S * 8/2002 Horvath D26/16
D596,528 S * 7/2009 Gurewitsch et al. D11/151

* cited by examiner

Primary Examiner — Garth Rademaker

(74) *Attorney, Agent, or Firm* — Walker & Jocke

(57) **CLAIM**

The ornamental design for a planter/feeder, as shown and described.

DESCRIPTION

FIG. 1 is a top perspective view of a planter/feeder, showing our new design.

FIG. 2 is a top plan view thereof.

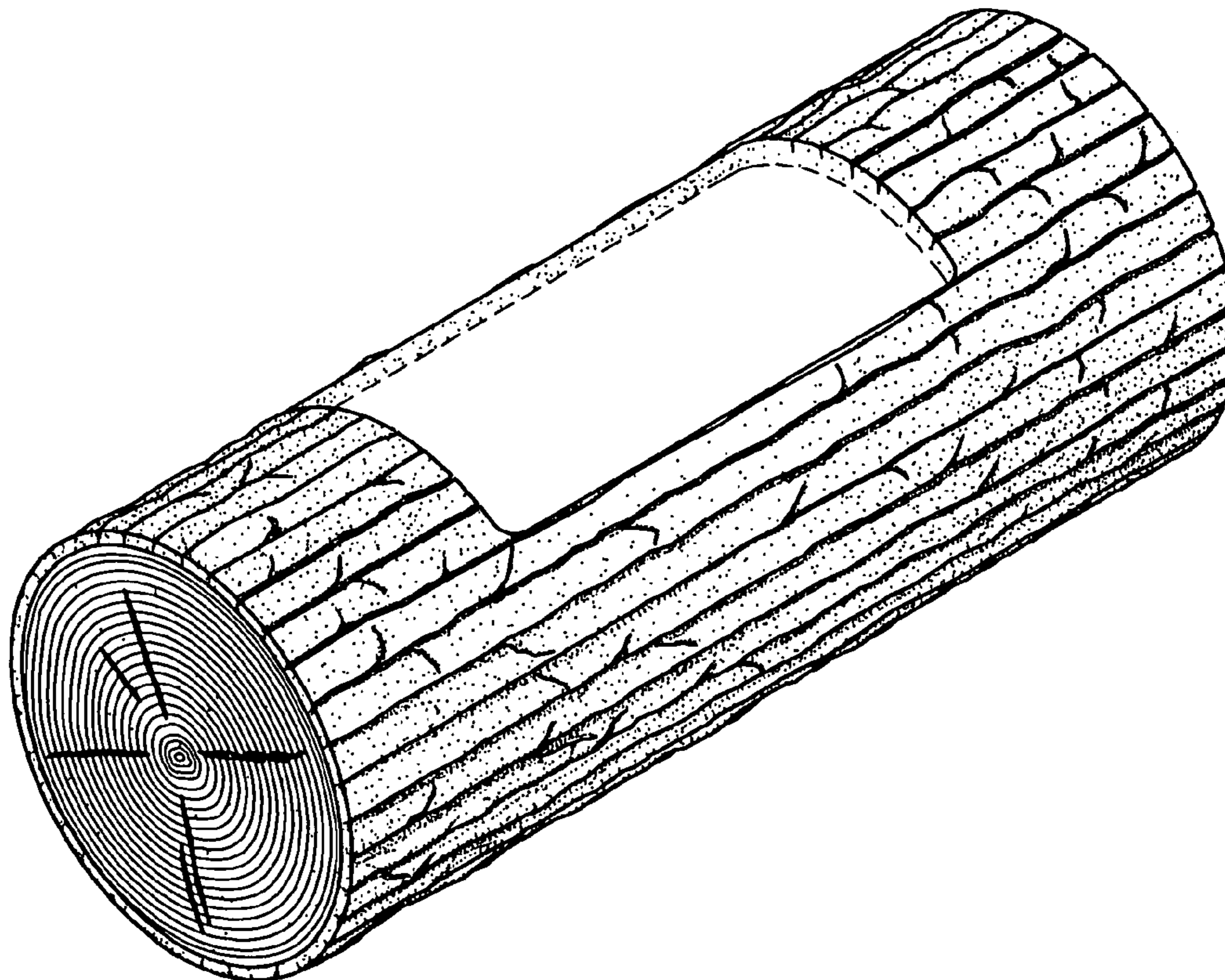
FIG. 3 is a front elevation view thereof.

FIG. 4 is a left side elevation view thereof; and,

FIG. 5 is a right side elevation view thereof.

The broken lines depict environmental subject matter only and form no part of the claimed design.

1 Claim, 3 Drawing Sheets



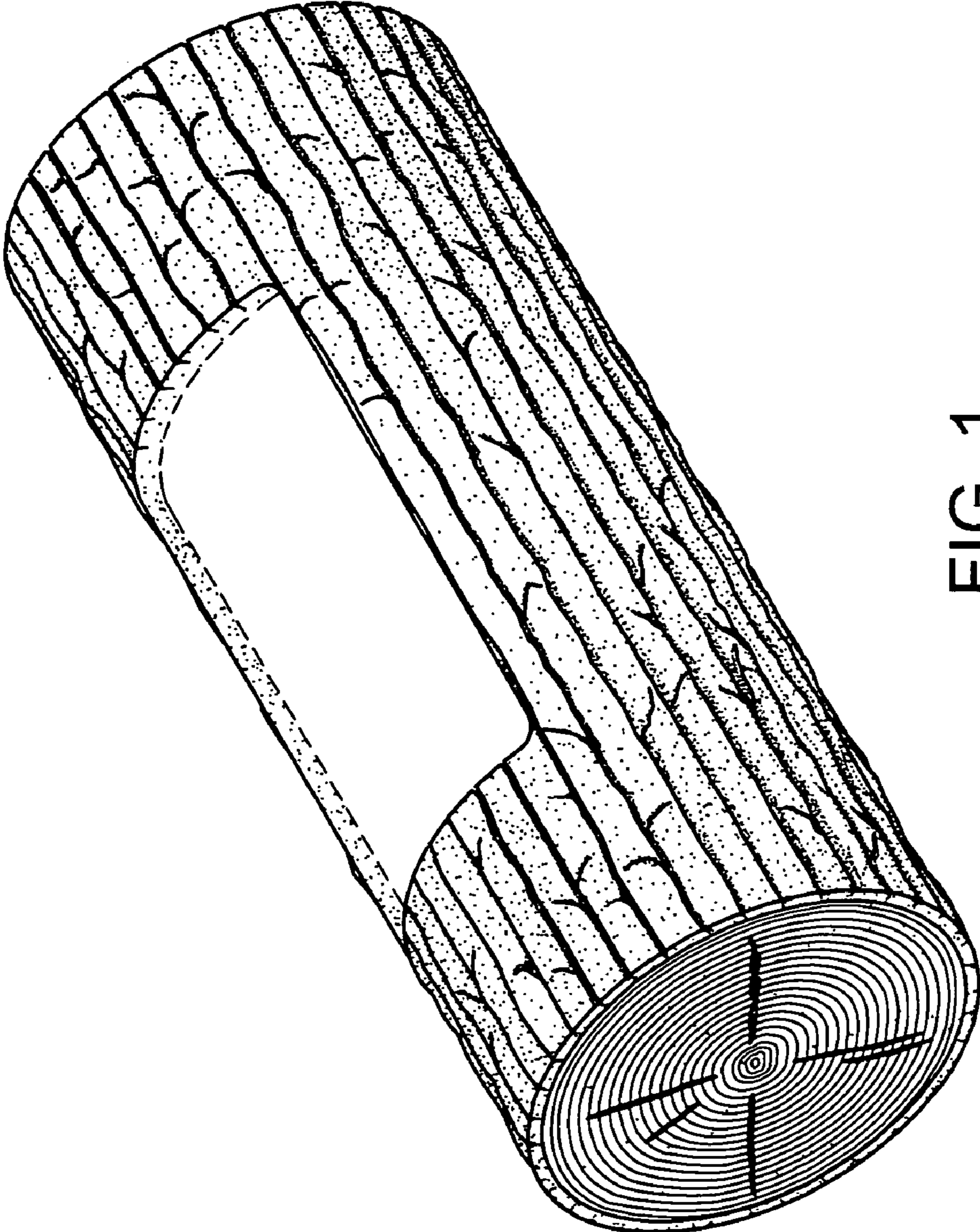


FIG. 1

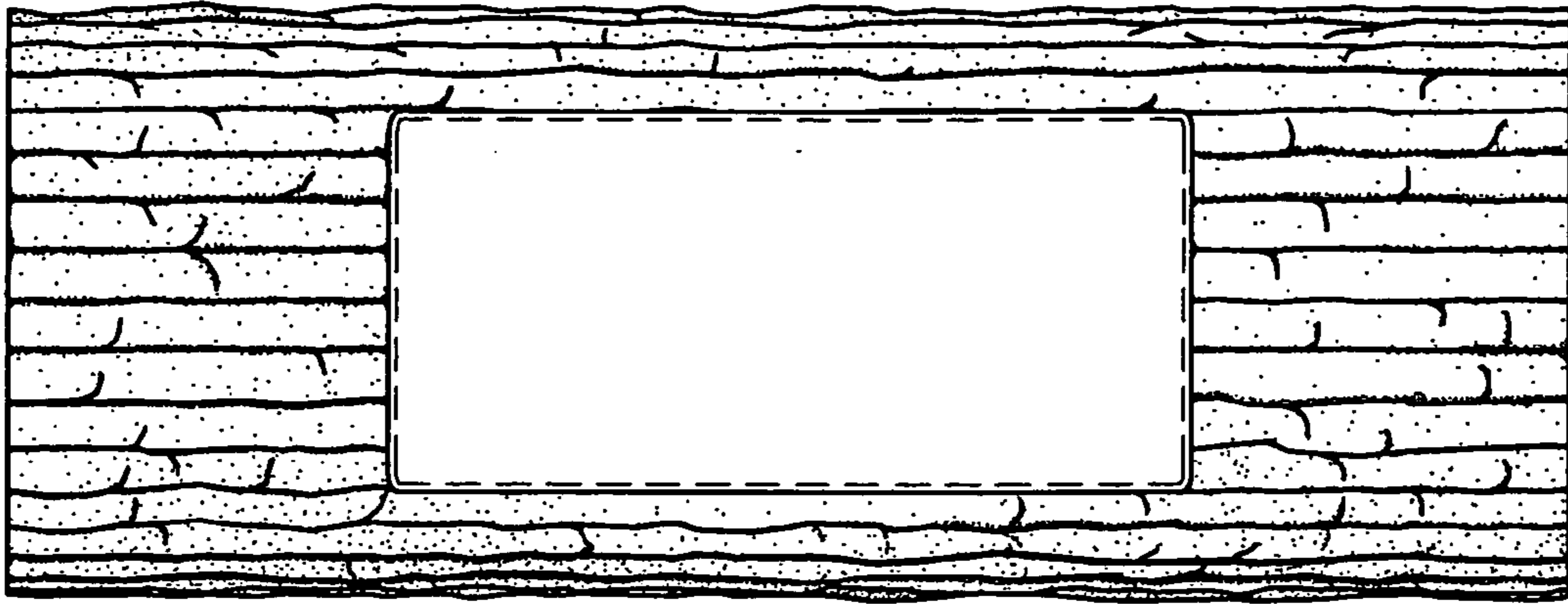


FIG. 2

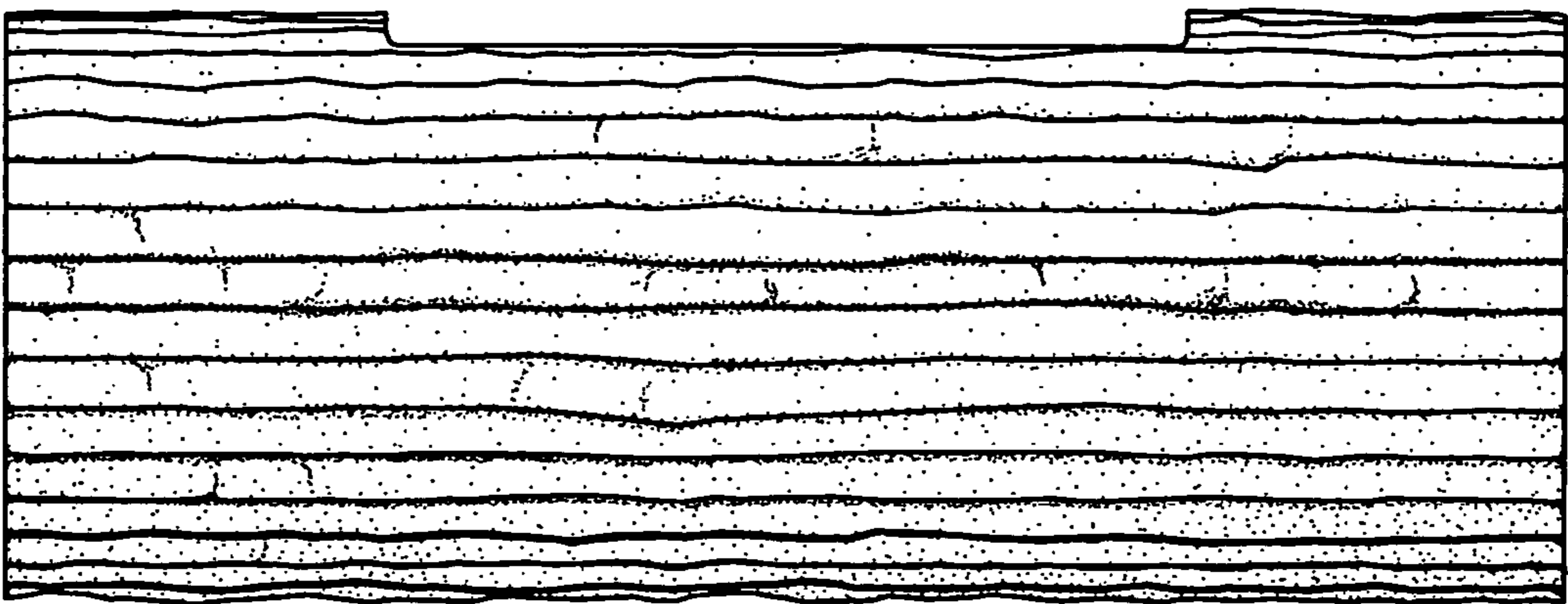


FIG. 3

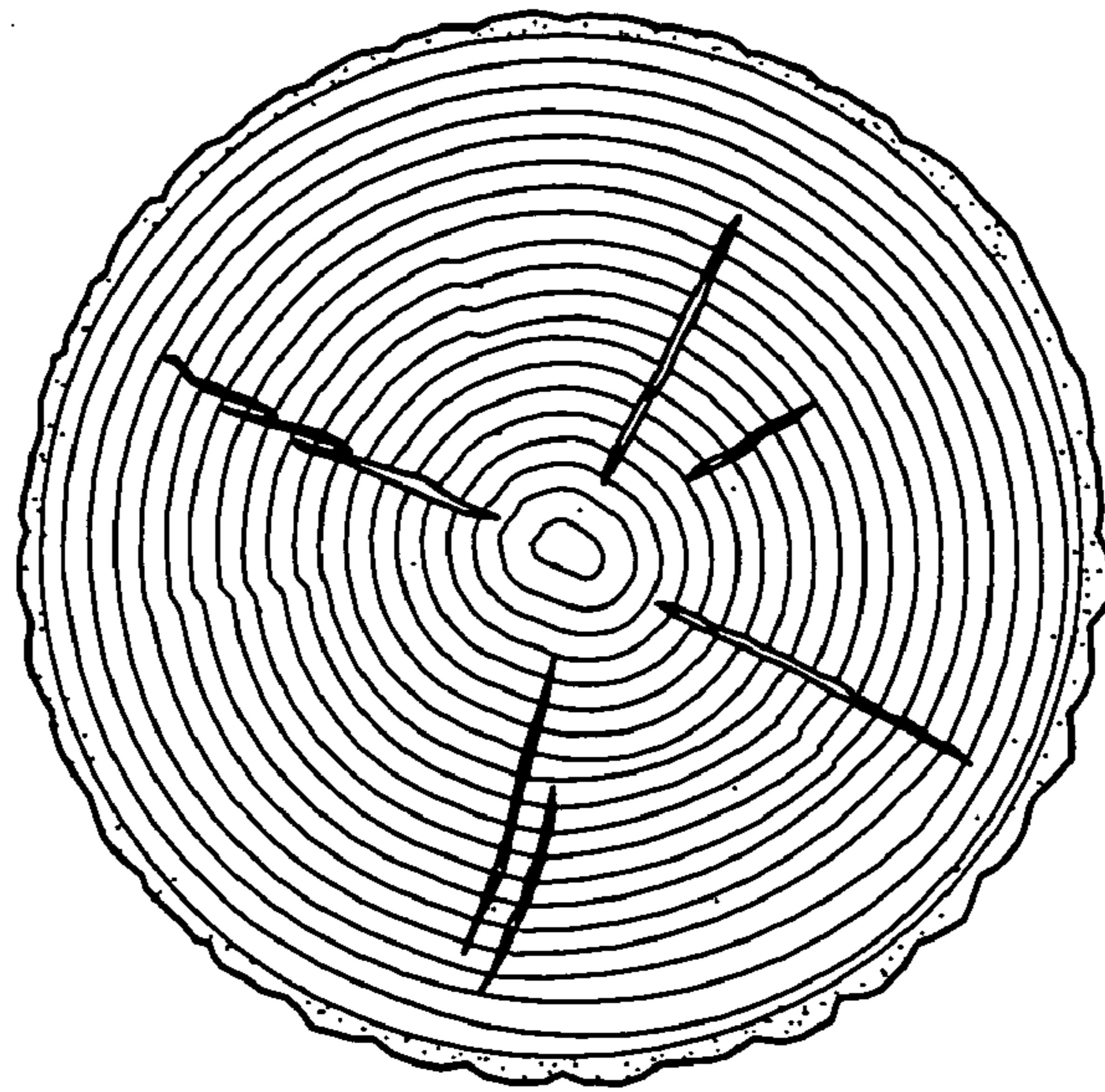


FIG. 4

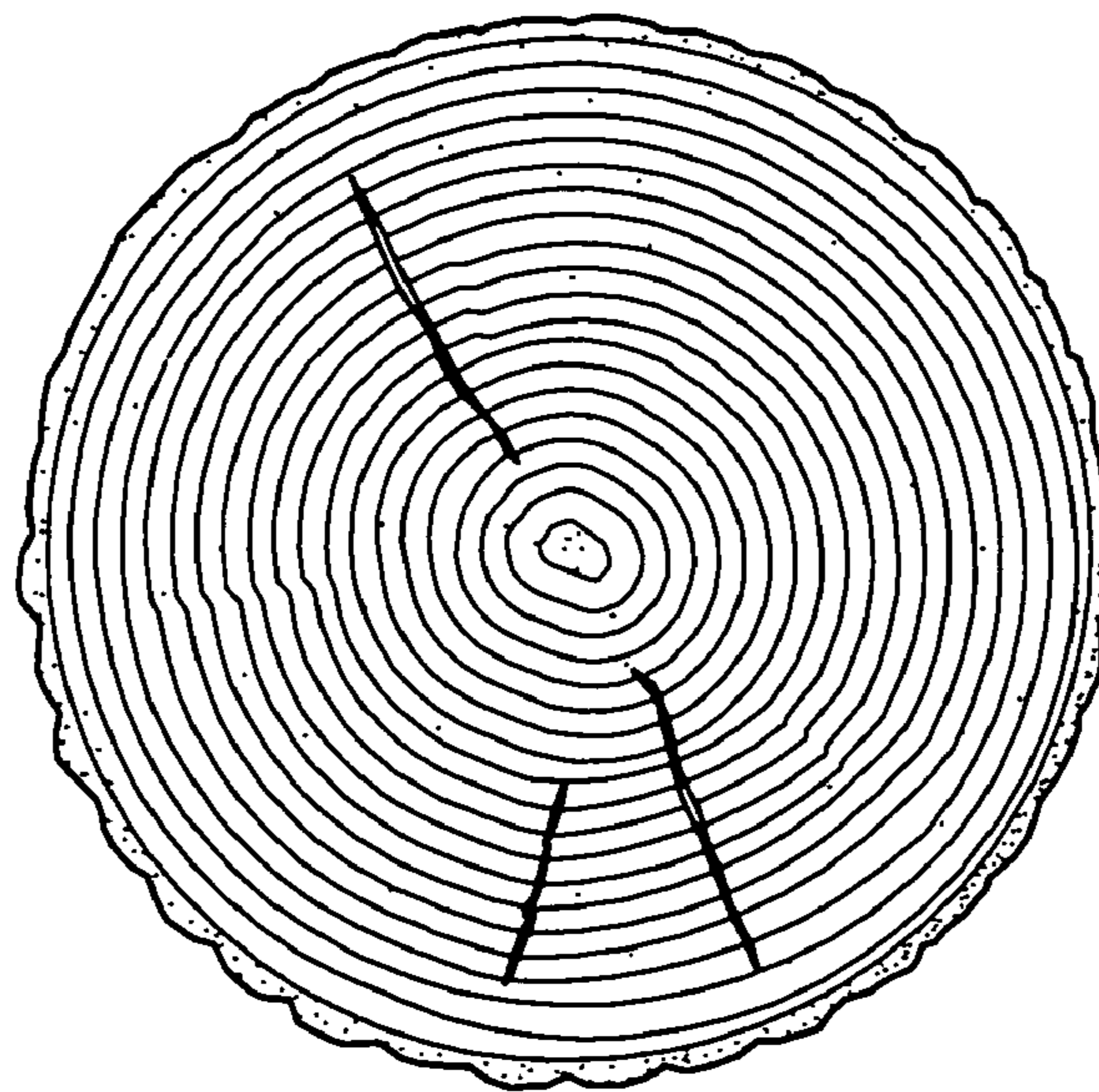


FIG. 5