



US00D652342S

(12) **United States Design Patent**
Harshman

(10) **Patent No.:** **US D652,342 S**
(45) **Date of Patent:** **** Jan. 17, 2012**

(54) **PLATEAU VASE WITH CONSTANT SIZE NECK**

DESCRIPTION

(75) Inventor: **Trent A. Harshman**, Galveston, IN (US)

(73) Assignee: **Syndicate Sales, Inc.**, Kokomo, IN (US)

(**) Term: **14 Years**

(21) Appl. No.: **29/403,380**

(22) Filed: **Oct. 5, 2011**

(51) **LOC (9) Cl.** **11-02**

(52) **U.S. Cl.** **D11/146**

(58) **Field of Classification Search** D6/403-405,
D6/556-558; D8/1; D11/143-156, 164;
D19/77, 80, 81, 84; D25/100; D26/9-11,
D26/16, 19; D34/1, 2, 4-6; D99/5, 19; 47/17,
47/32.4, 32.5, 32.7, 33, 39, 41.01, 41.1, 41.11-41.15,
47/44-47, 63, 65.5, 65.9, 66.1, 66.2, 66.6,
47/66.7, 67-71

See application file for complete search history.

(56) **References Cited**

U.S. PATENT DOCUMENTS

D94,553 S * 2/1935 Marquot D7/531
D244,501 S * 5/1977 Jacobus D11/143
D351,121 S * 10/1994 Lauchlan D11/143
D403,614 S * 1/1999 Terranova D11/146

(Continued)

FOREIGN PATENT DOCUMENTS

GB 4002409 * 4/2007

Primary Examiner — Garth Rademaker

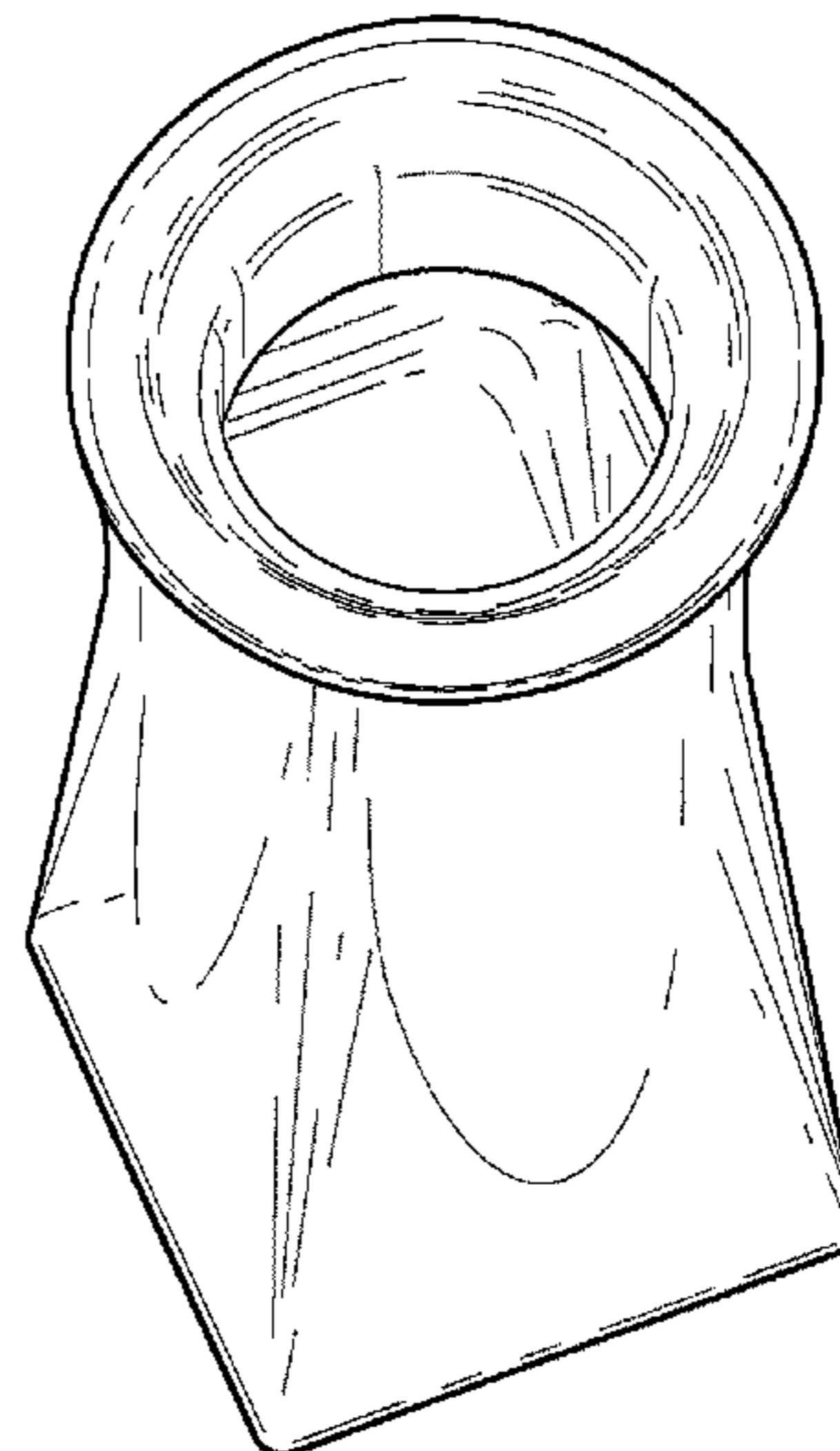
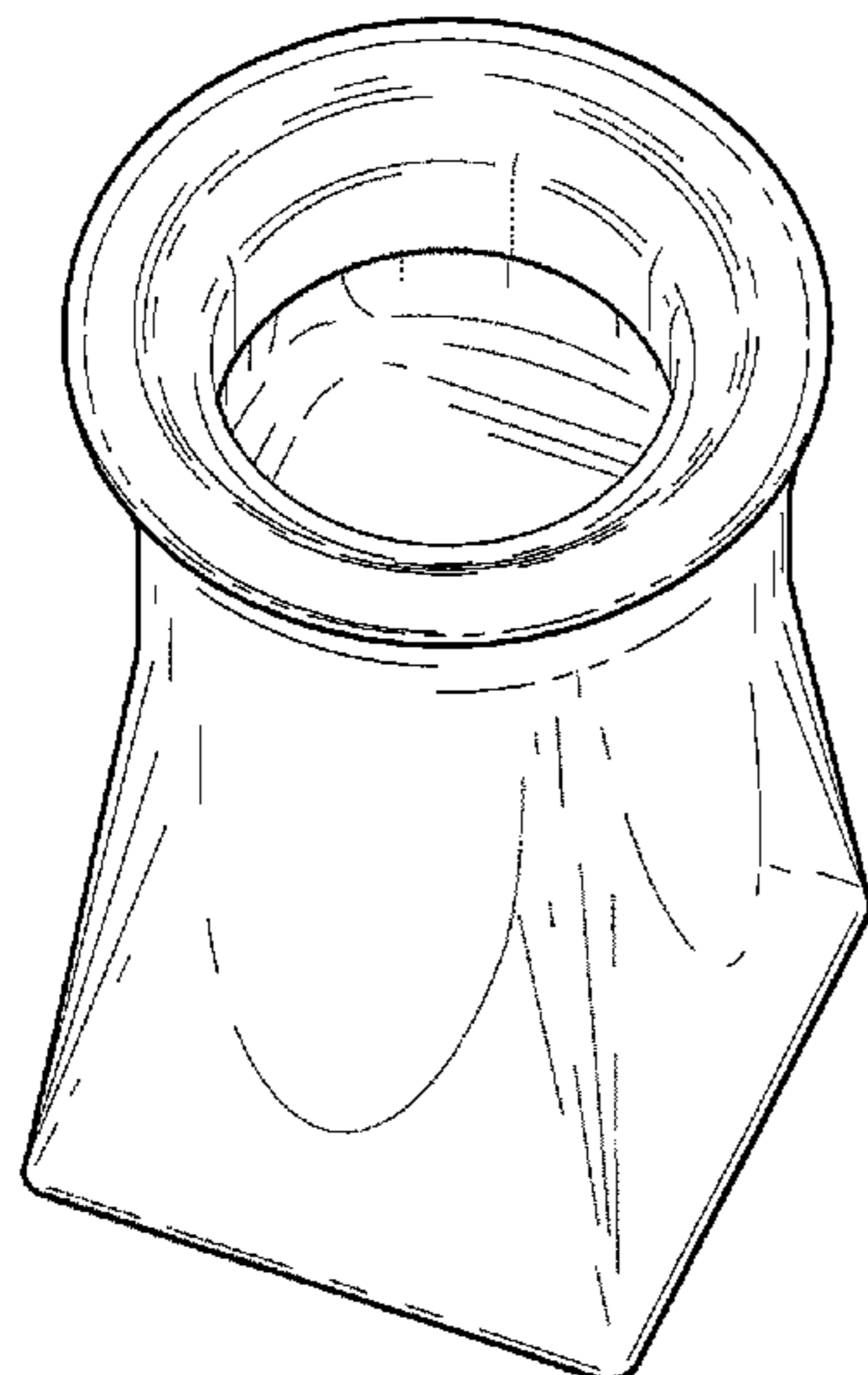
(74) *Attorney, Agent, or Firm* — Woodward Emhardt Moriarty McNett & Henry LLP

(57) **CLAIM**

The ornamental design for a plateau vase with constant size neck, as shown and described.

FIG. 1 is a perspective view of a first embodiment of a plateau vase incorporating my new design;
FIG. 2 is a front elevation view thereof, with the right side, left side, and back elevation views being identical thereto;
FIG. 3 is a top plan view thereof;
FIG. 4 is a bottom plan view thereof;
FIG. 5 is a cross-sectional view thereof, taken along line 5-5 of FIG. 2, viewed in the direction of the arrows;
FIG. 6 is a cross-sectional view thereof, taken along line 6-6 of FIG. 2, viewed in the direction of the arrows;
FIG. 7 is a cross-sectional view thereof, taken along line 7-7 of FIG. 2, viewed in the direction of the arrows;
FIG. 8 is a perspective view of a second embodiment of a plateau vase incorporating my new design;
FIG. 9 is a front elevation view thereof, with the right side, left side, and back elevation views being identical thereto;
FIG. 10 is a top plan view thereof;
FIG. 11 is a bottom plan view thereof;
FIG. 12 is a cross-sectional view thereof, taken along line 12-12 of FIG. 9, viewed in the direction of the arrows;
FIG. 13 is a cross-sectional view thereof, taken along line 13-13 of FIG. 9, viewed in the direction of the arrows;
FIG. 14 is a cross-sectional view thereof, taken along line 14-14 of FIG. 9, viewed in the direction of the arrows;
FIG. 15 is a perspective view of a third embodiment of a plateau vase incorporating my new design;
FIG. 16 is a front elevation view thereof, with the right side, left side, and back elevation views being identical thereto;
FIG. 17 is a top plan view thereof;
FIG. 18 is a bottom plan view thereof;
FIG. 19 is a cross-sectional view thereof, taken along line 19-19 of FIG. 16, viewed in the direction of the arrows;
FIG. 20 is a cross-sectional view thereof, taken along line 20-20 of FIG. 16, viewed in the direction of the arrows; and,
FIG. 21 is a cross-sectional view thereof, taken along line 21-21 of FIG. 16, viewed in the direction of the arrows.

1 Claim, 9 Drawing Sheets



US D652,342 S

Page 2

U.S. PATENT DOCUMENTS											
D448,097	S	*	9/2001	Bodum	D26/9	D613,640	S	*	4/2010	Kee	D11/152
D462,293	S		9/2002	Bates et al.		D623,984	S	*	9/2010	Bas	D11/146
D477,791	S		7/2003	Wells		D639,205	S	*	6/2011	Harshman	D11/146
D478,530	S		8/2003	Sachuk		D639,704	S		6/2011	Harshman	
D578,927	S	*	10/2008	Brandstatter	D11/146						

* cited by examiner

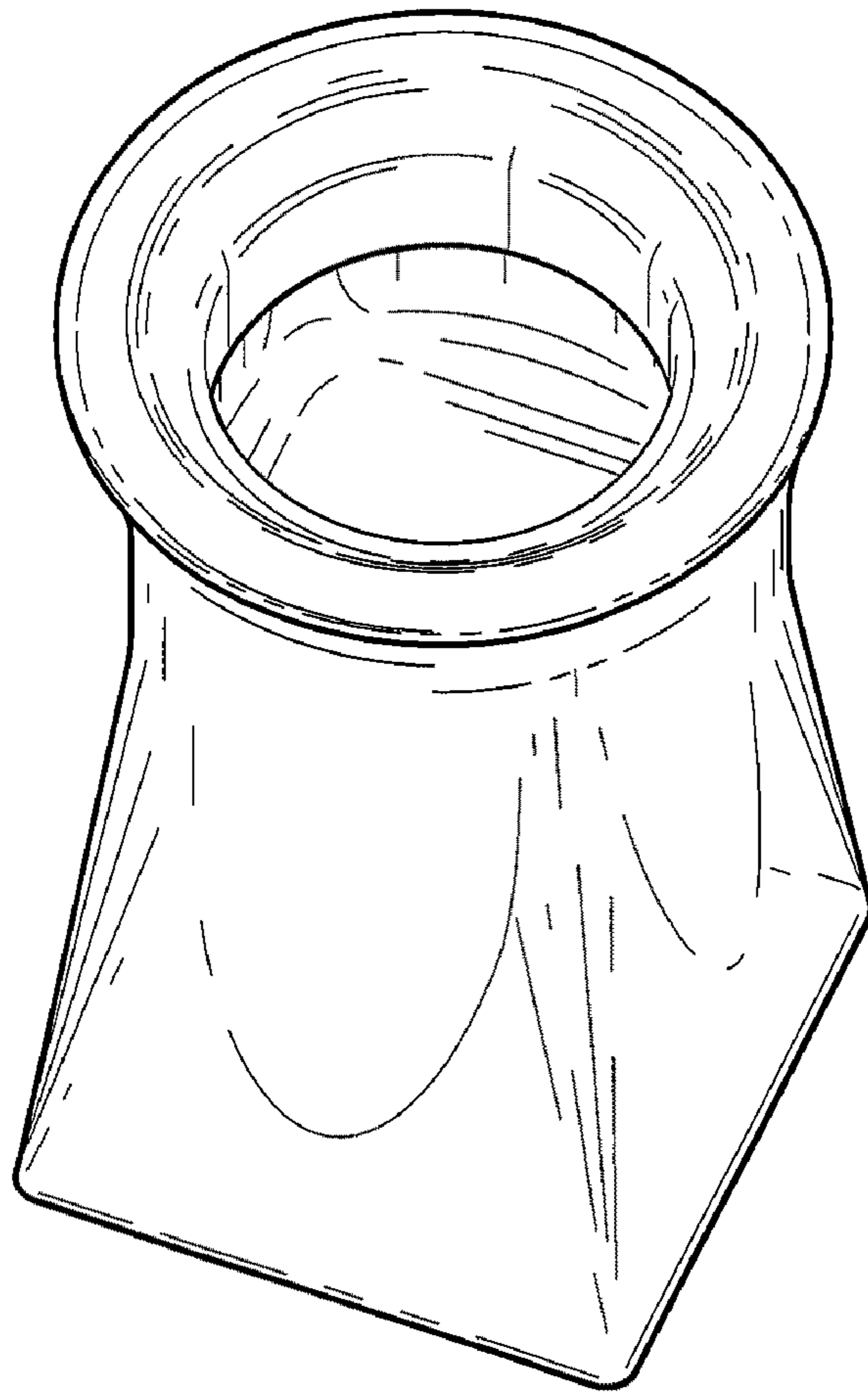


Fig. 1

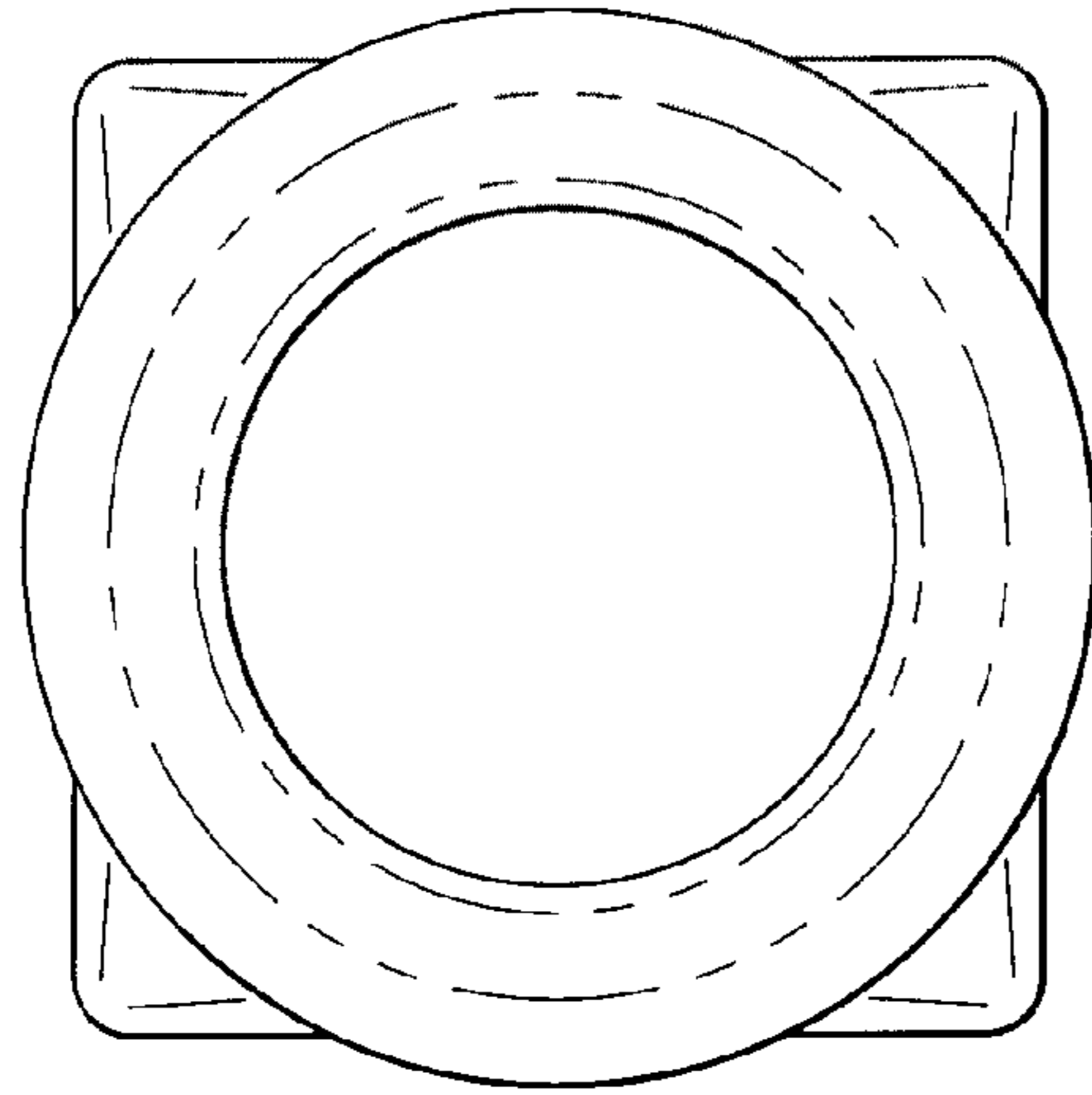


Fig. 3

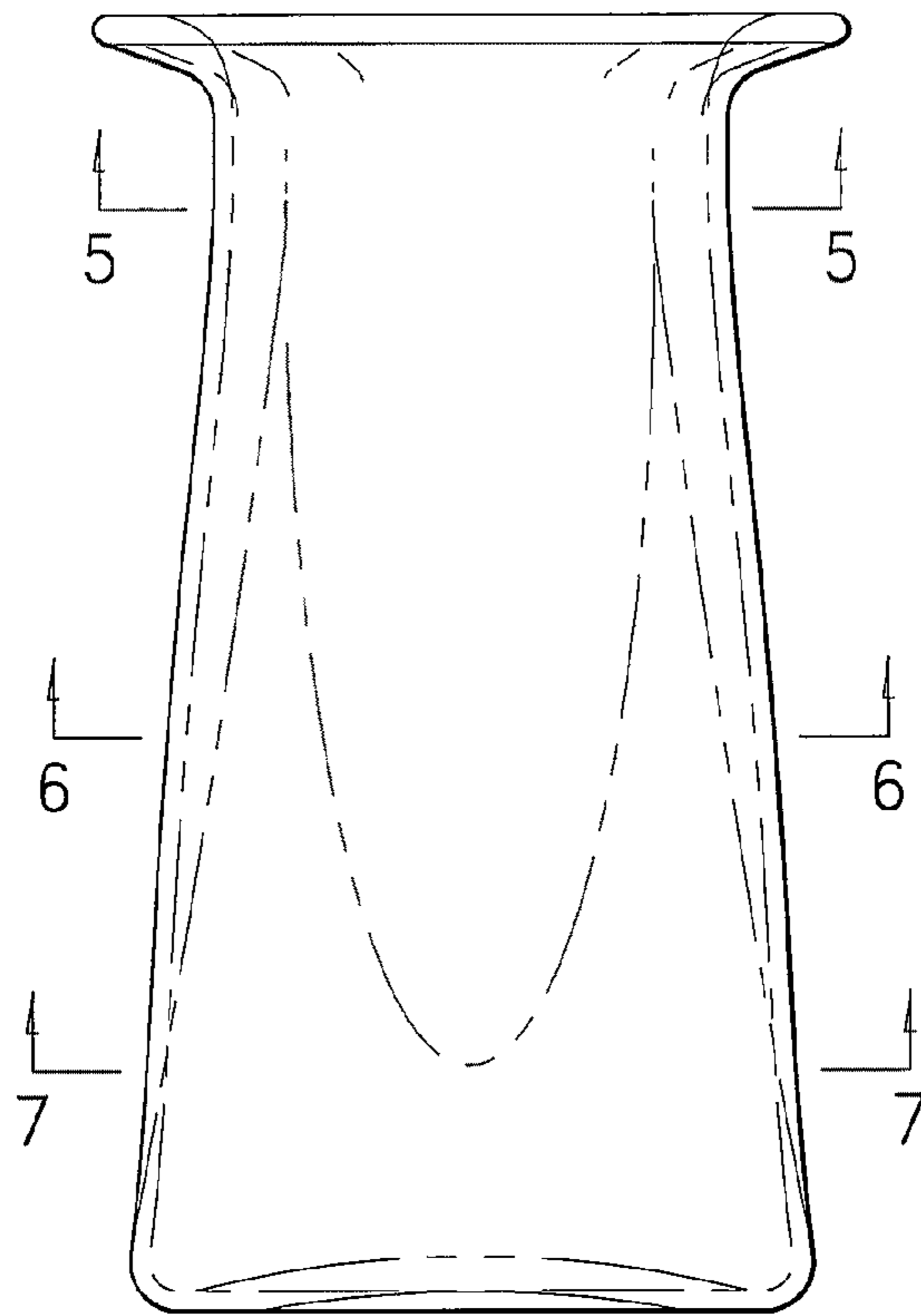


Fig. 2

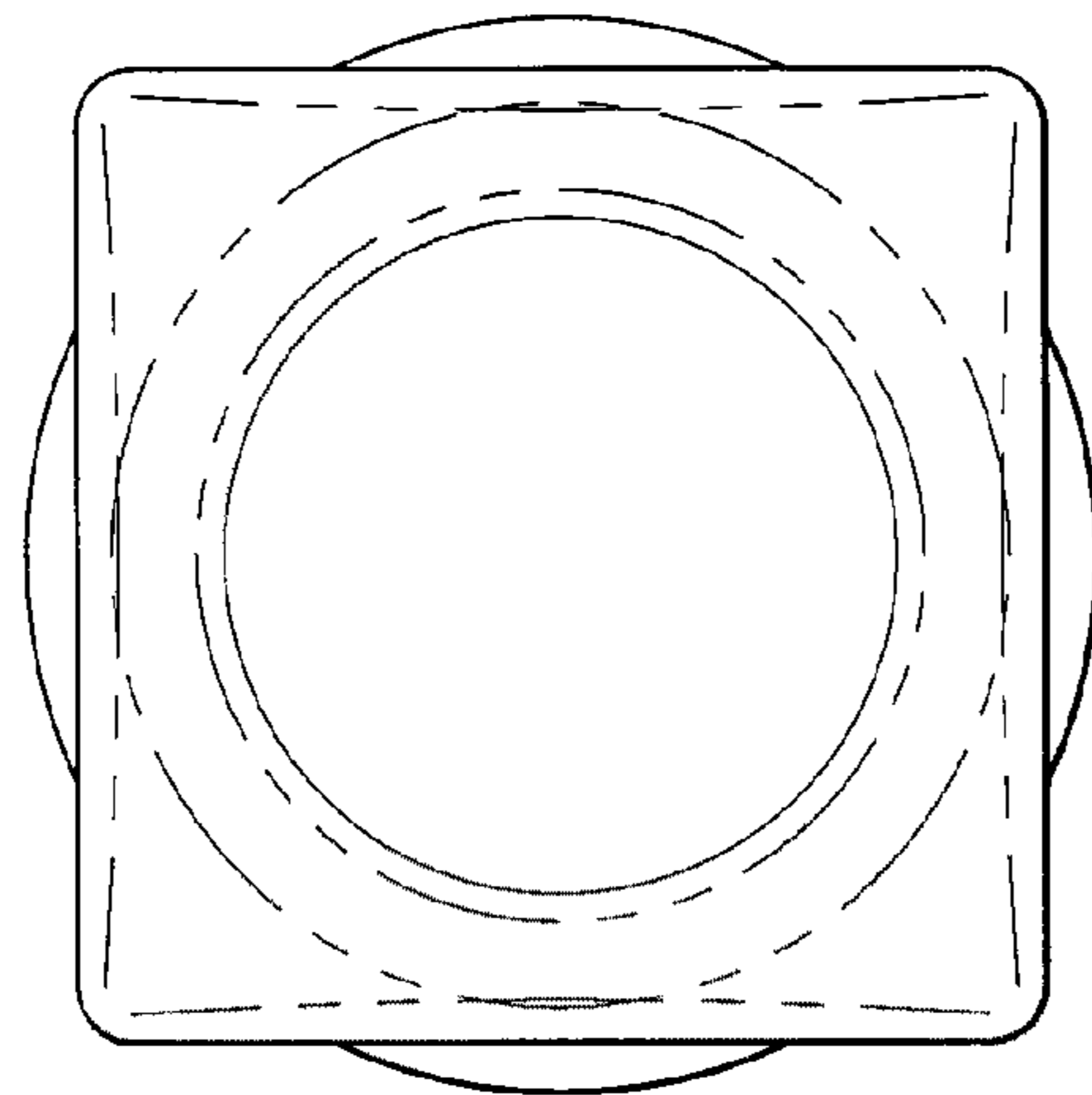


Fig. 4

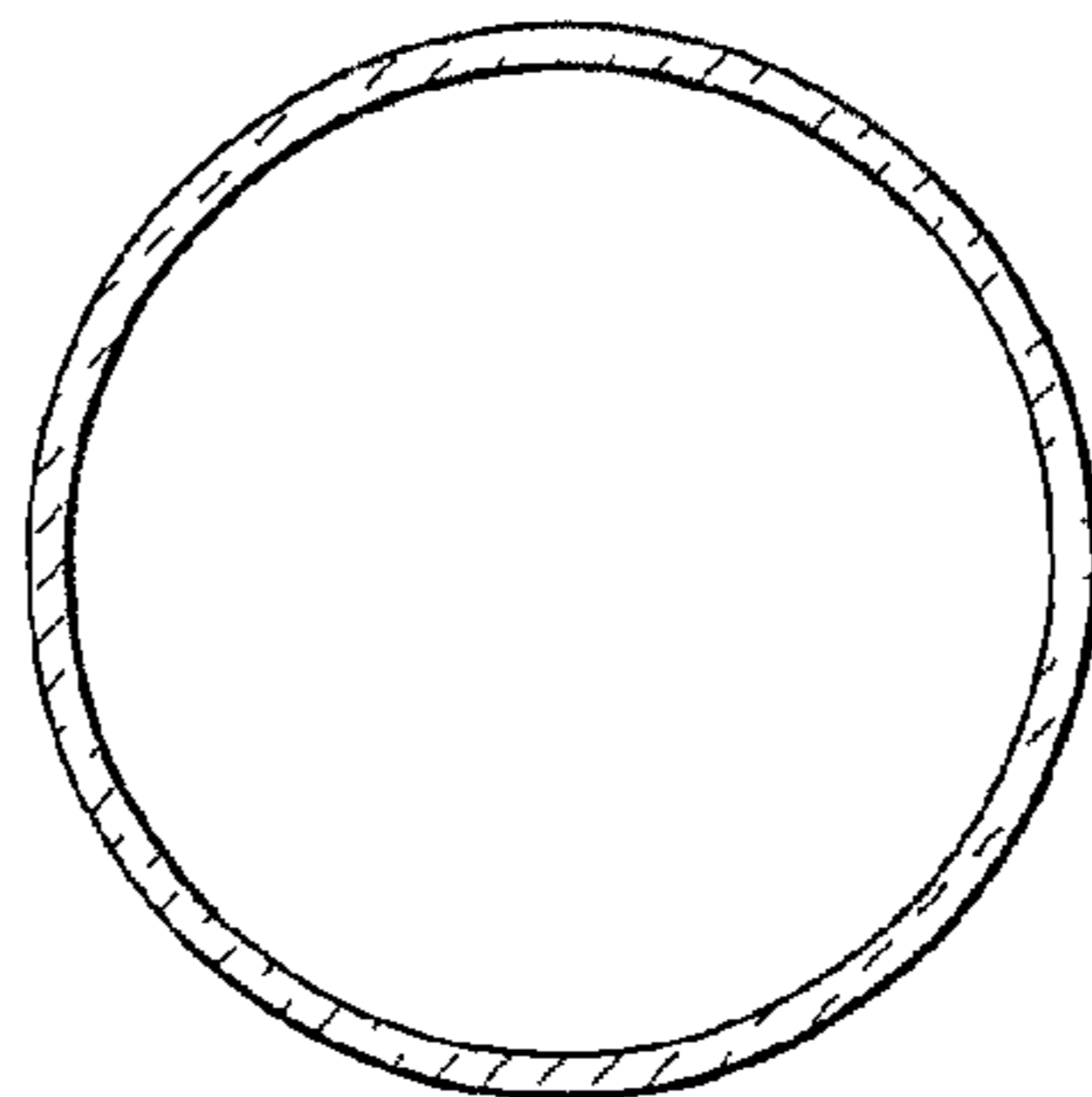


Fig. 5

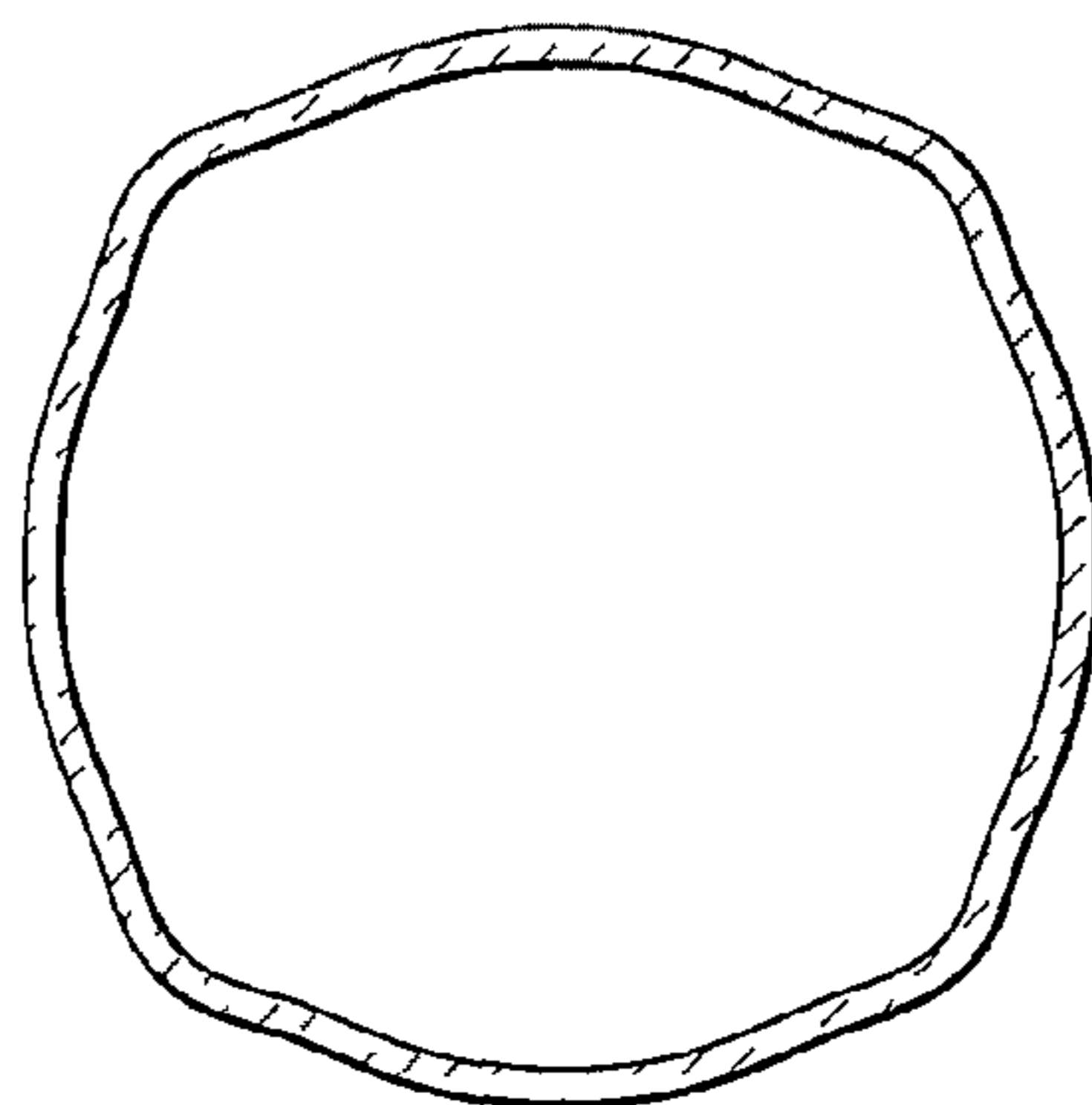


Fig. 6

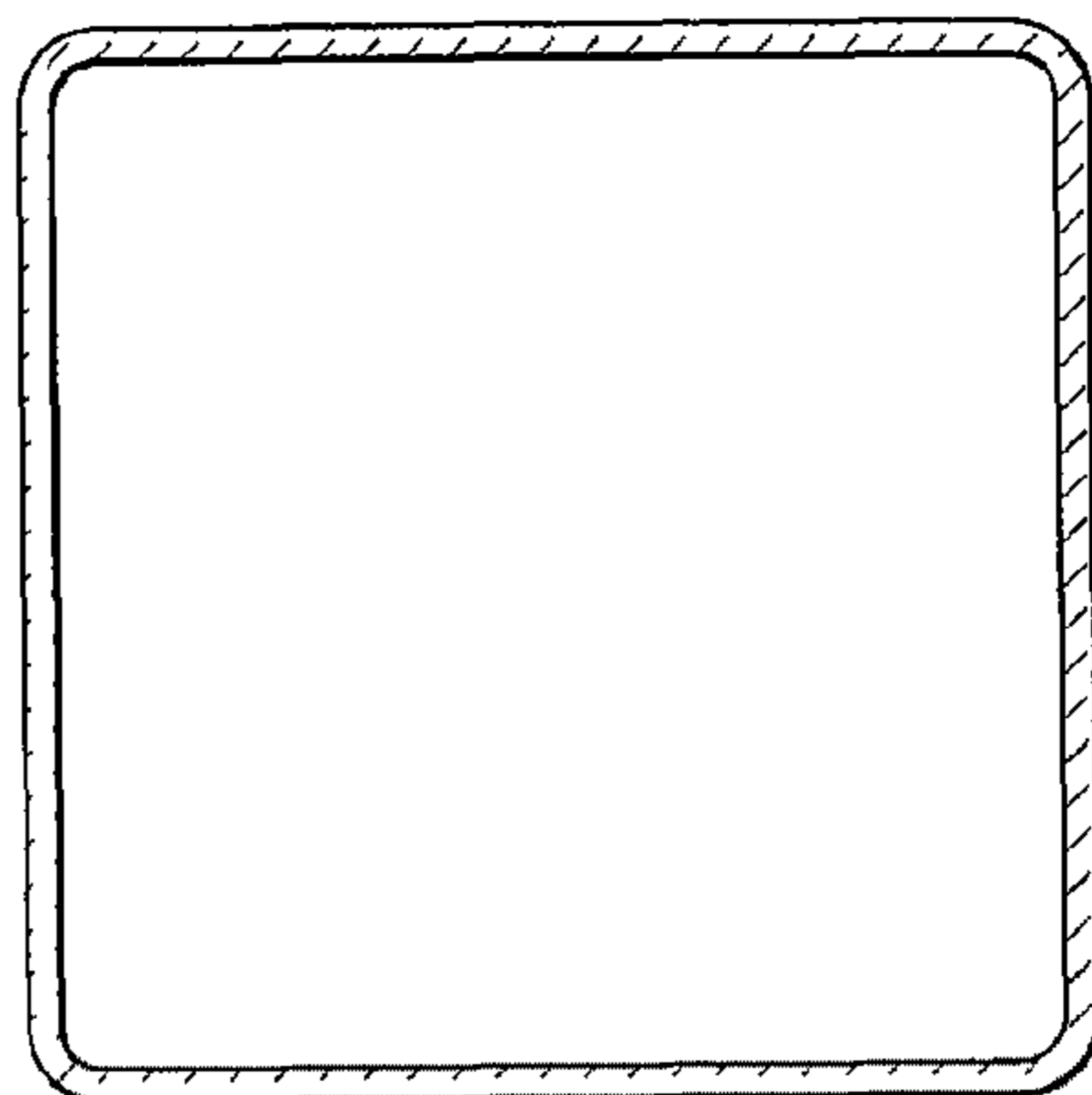


Fig. 7

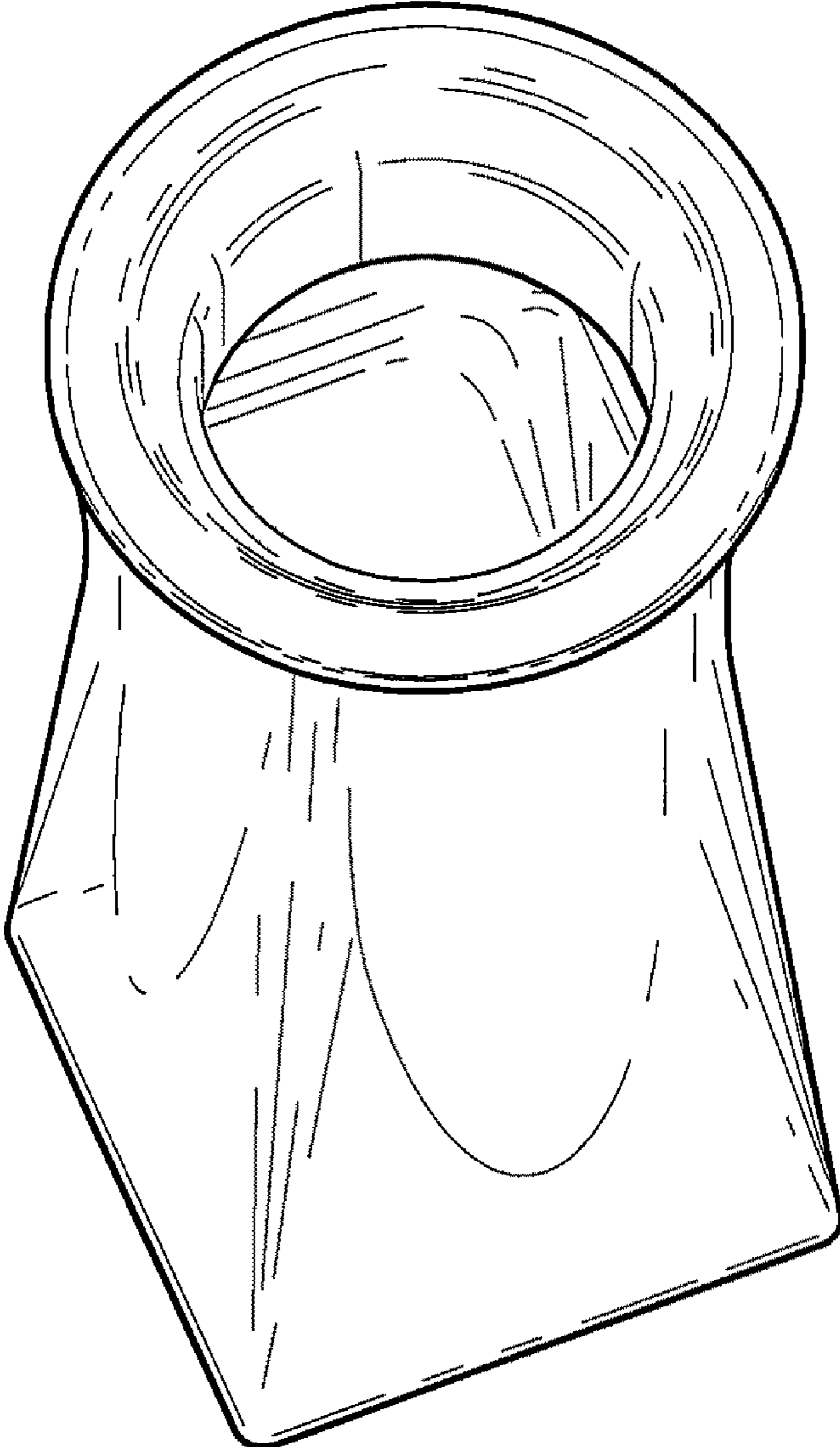


Fig. 8

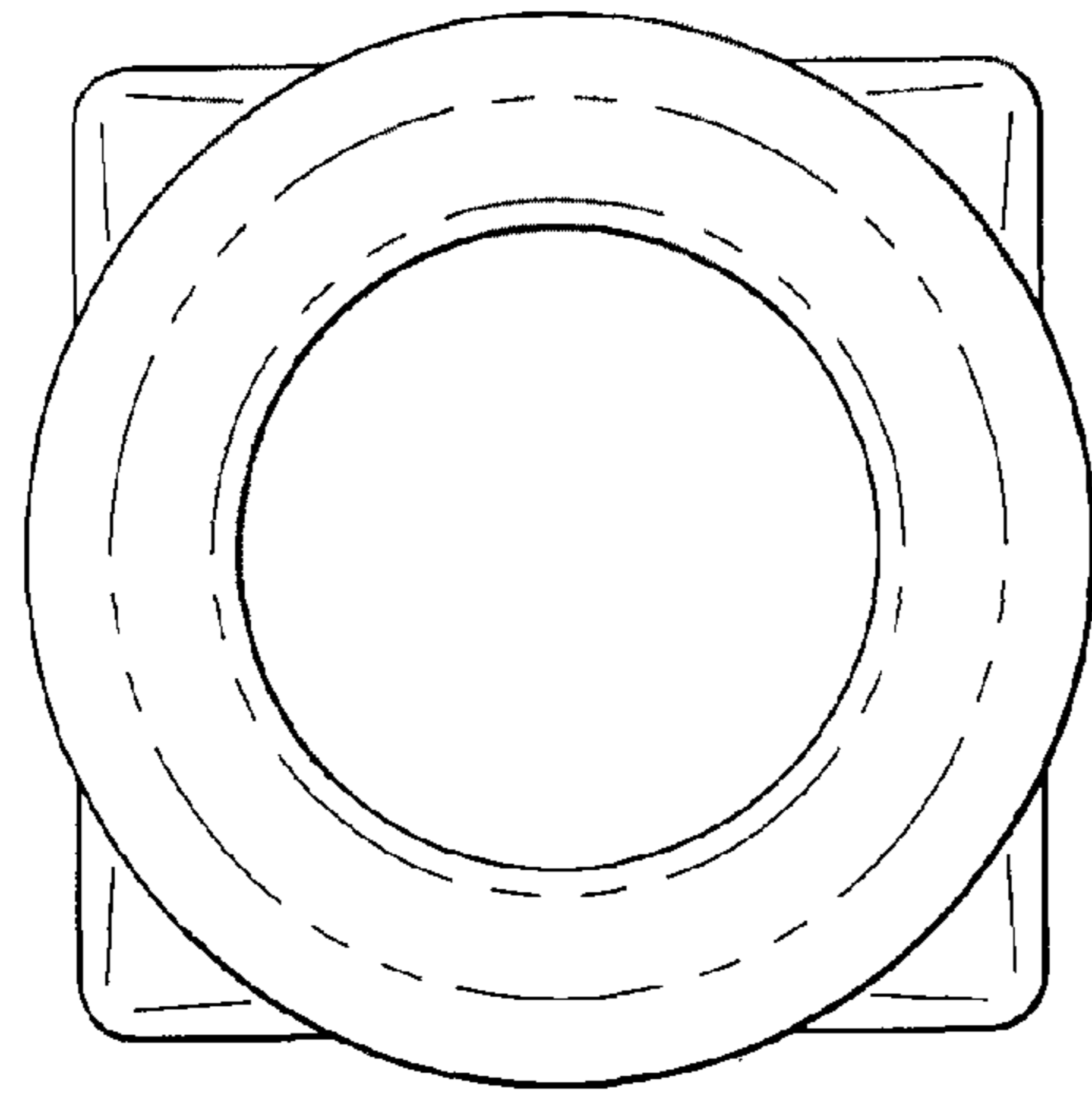


Fig. 10

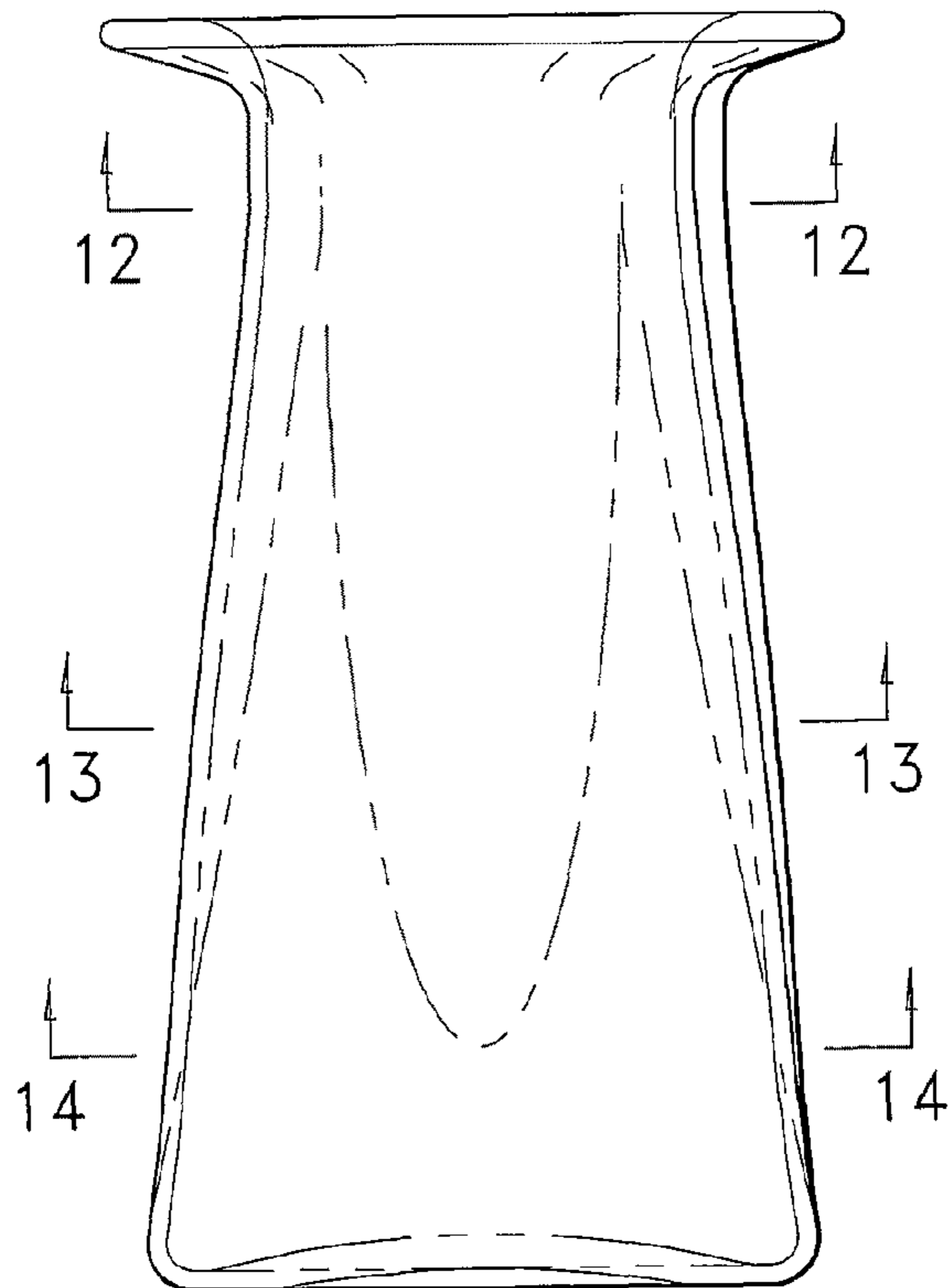


Fig. 9

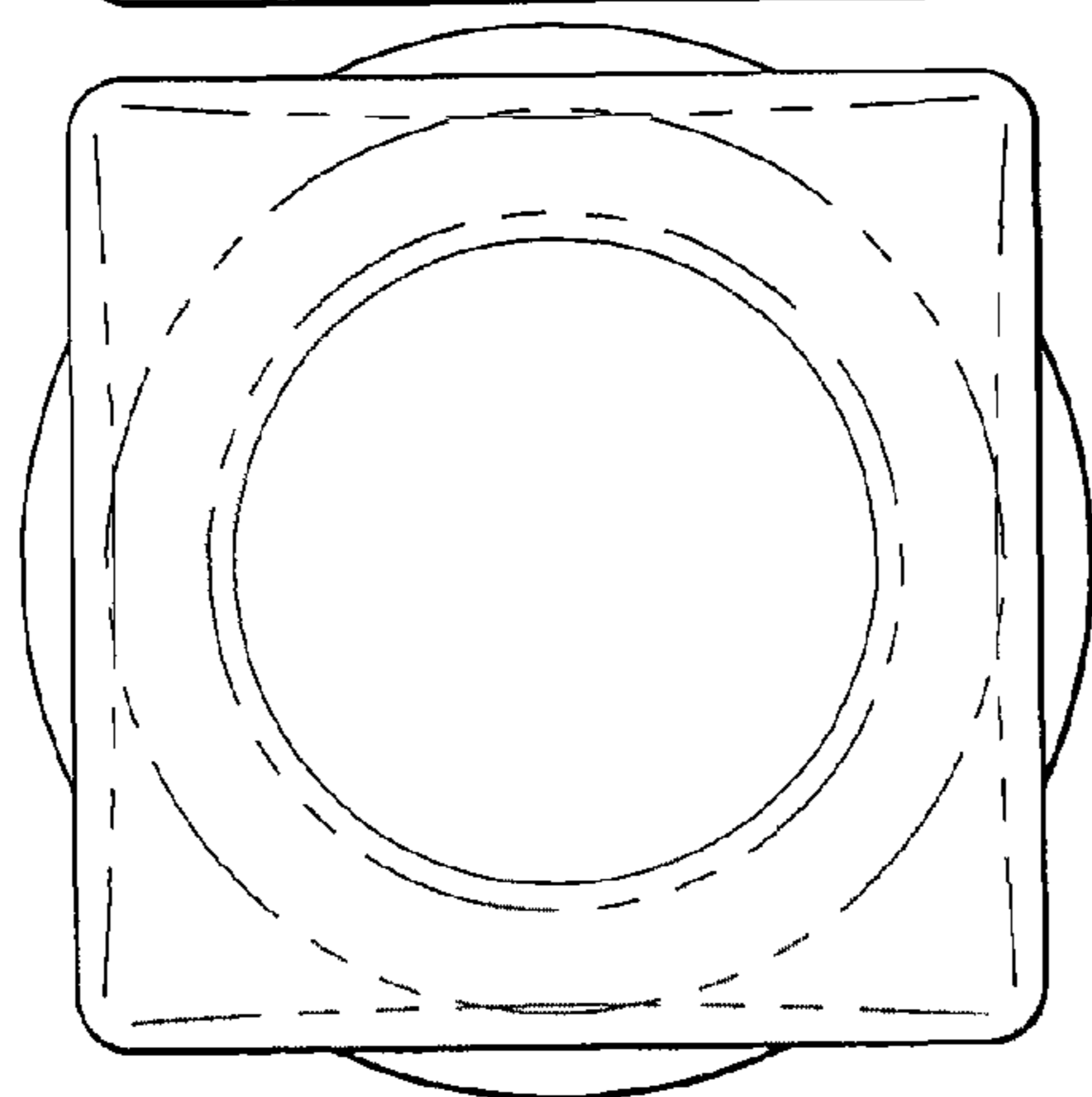


Fig. 11

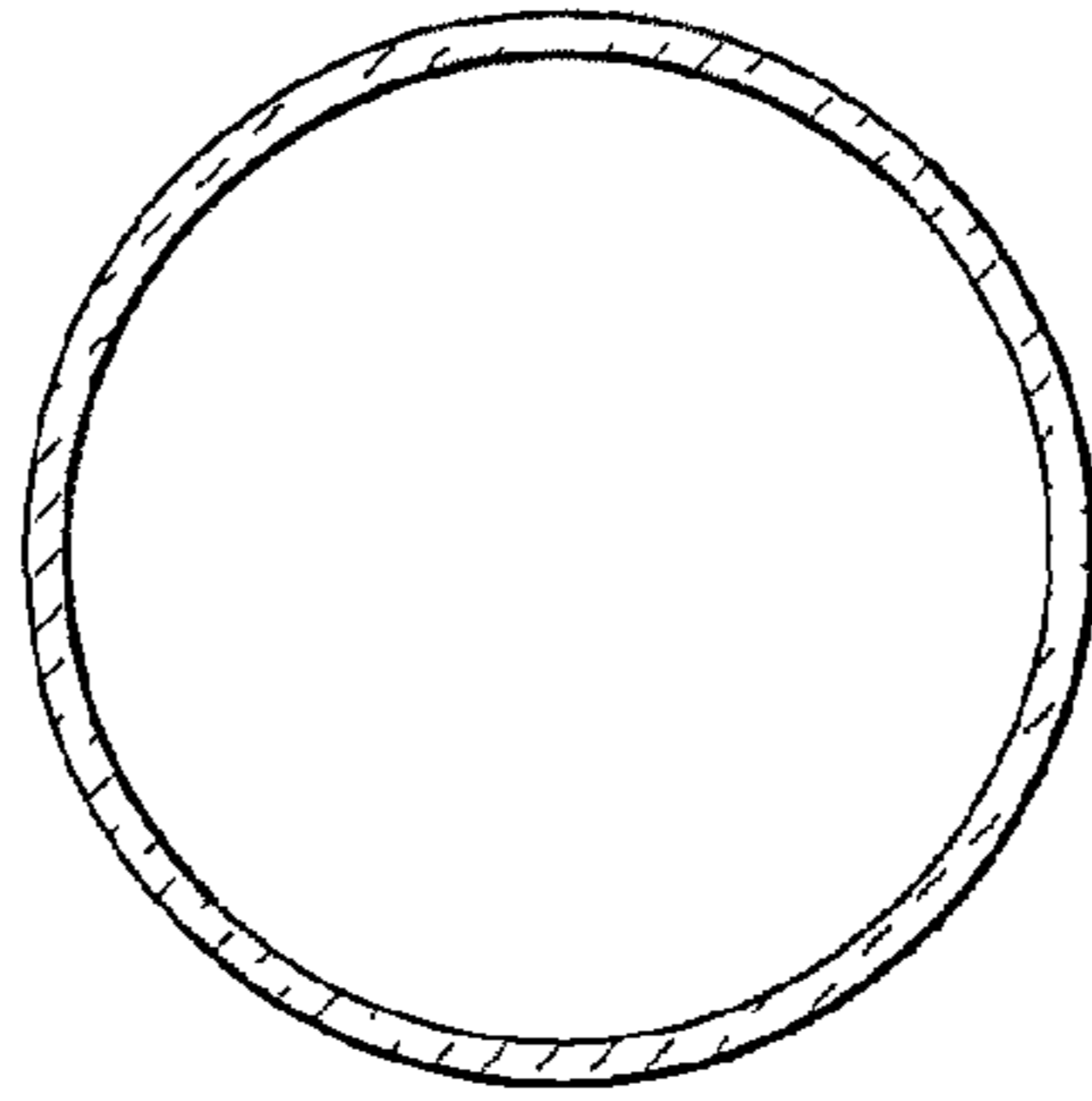


Fig. 12

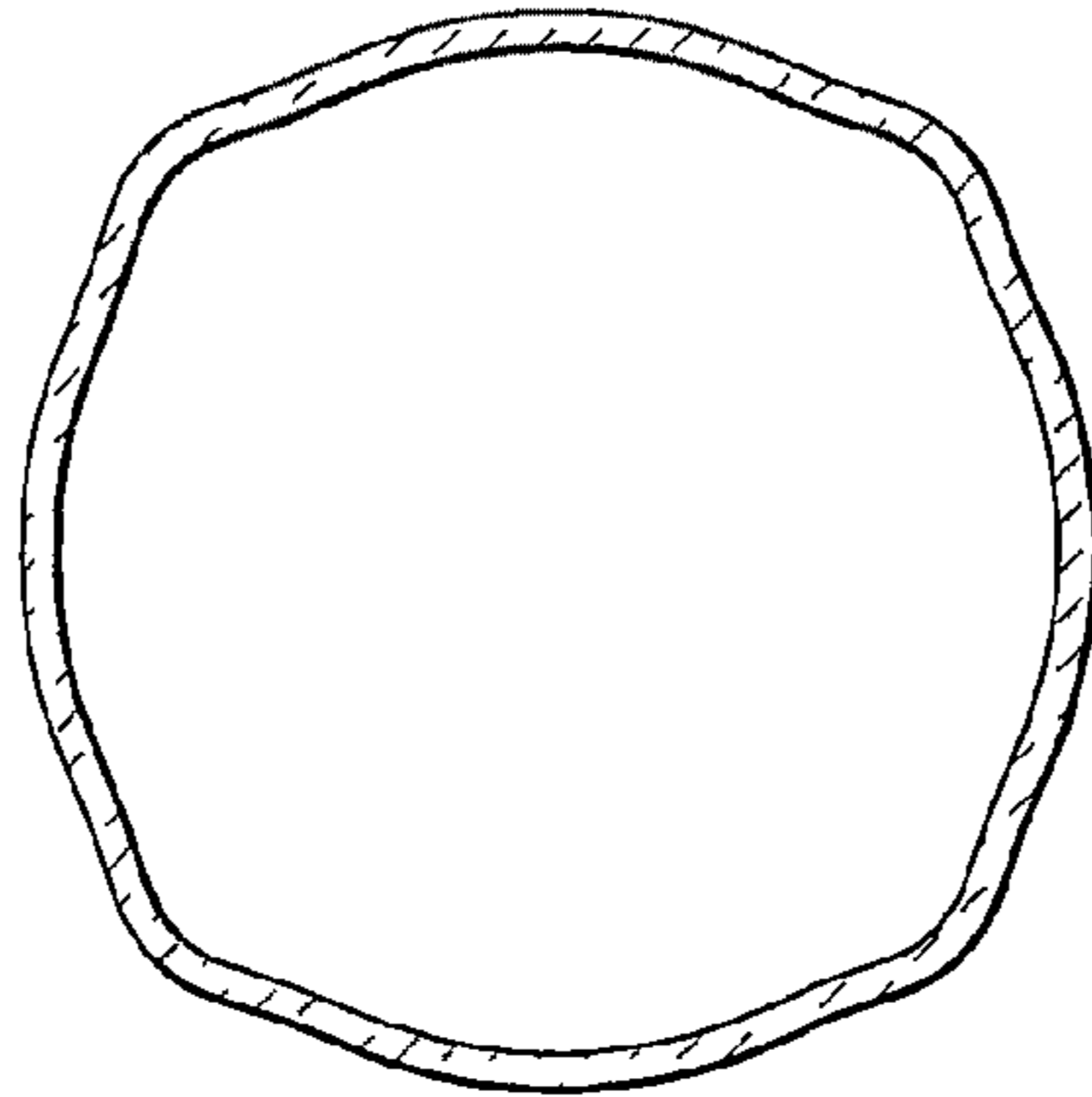


Fig. 13

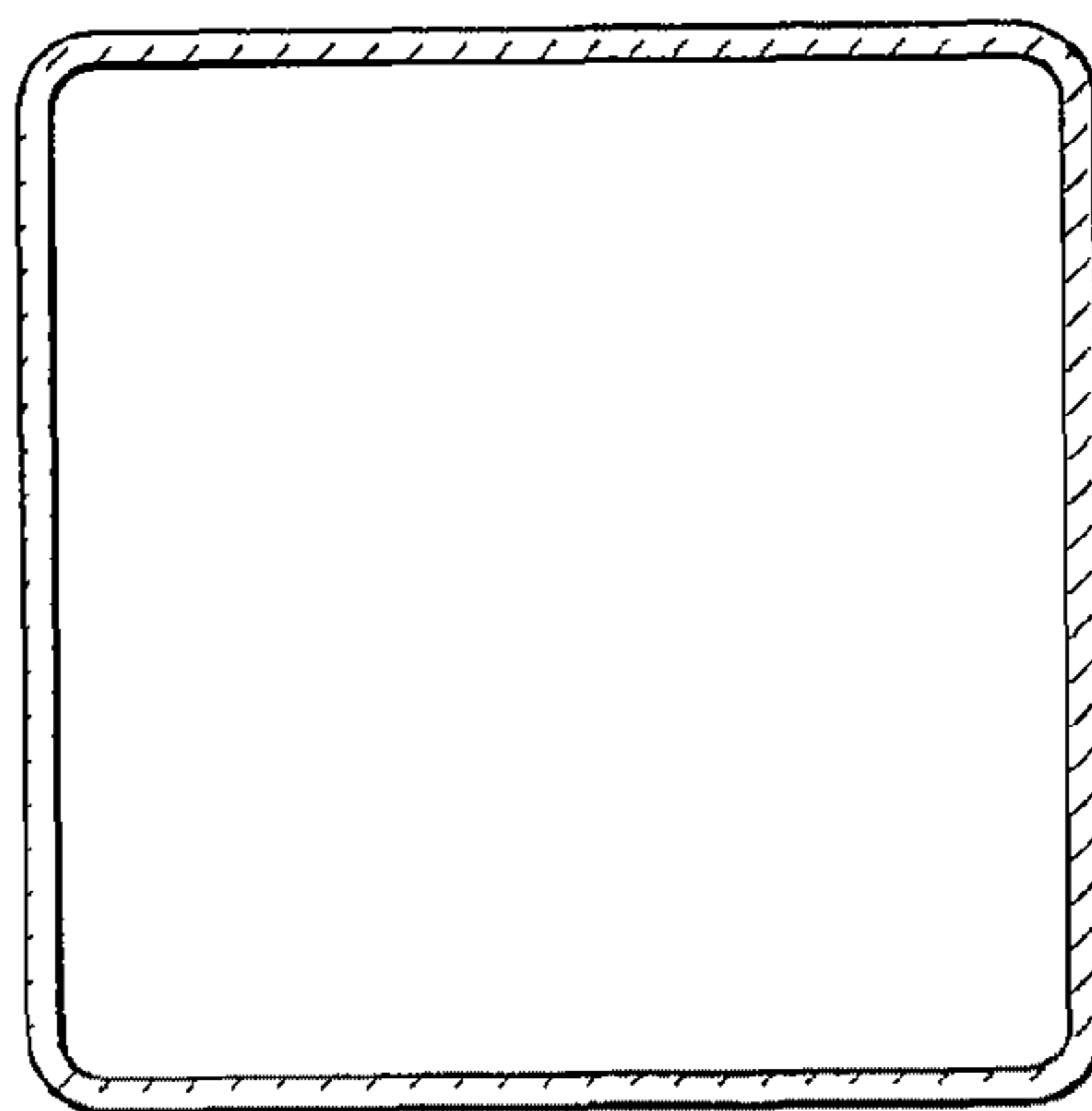


Fig. 14

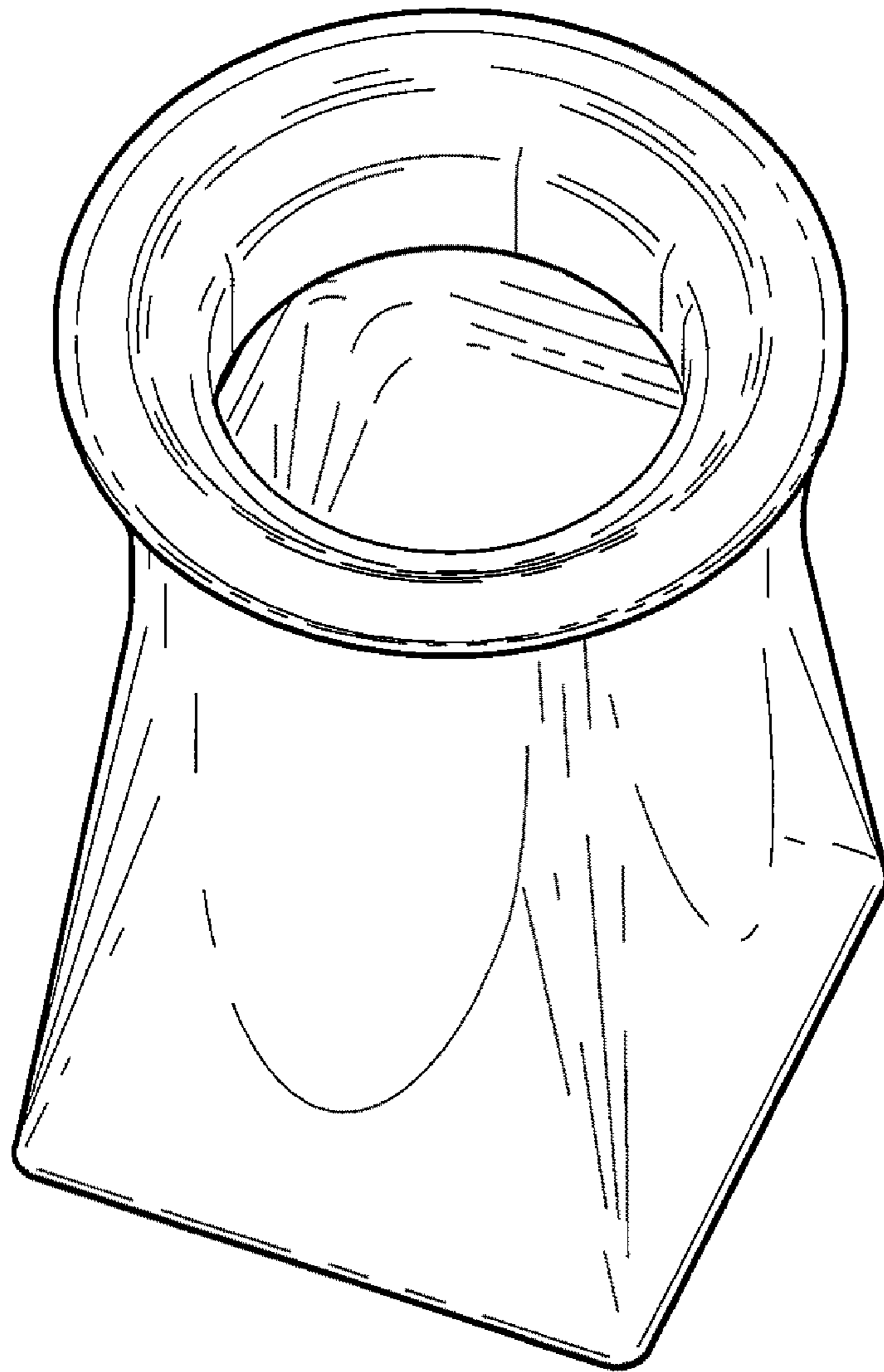


Fig. 15

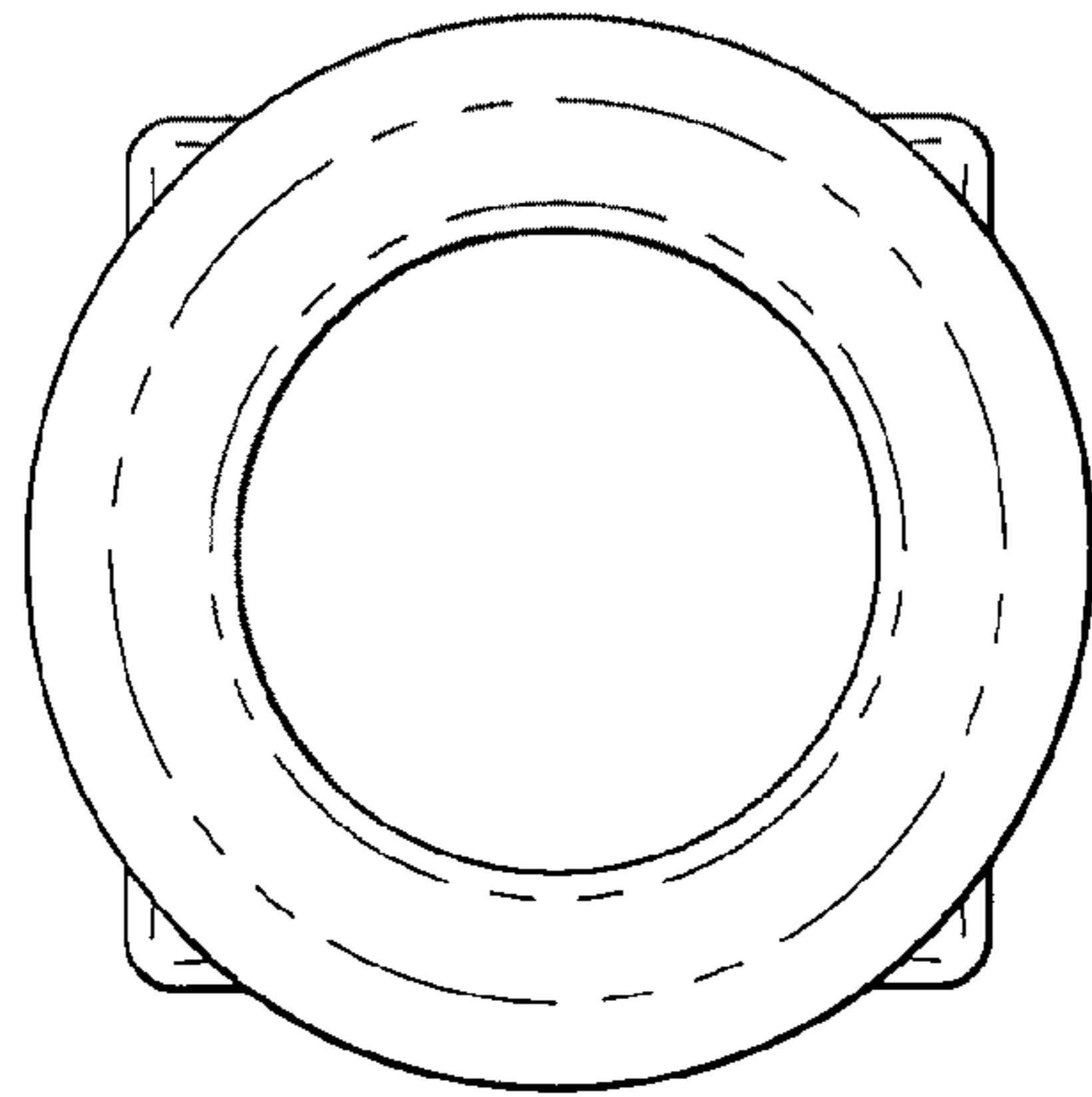


Fig. 17

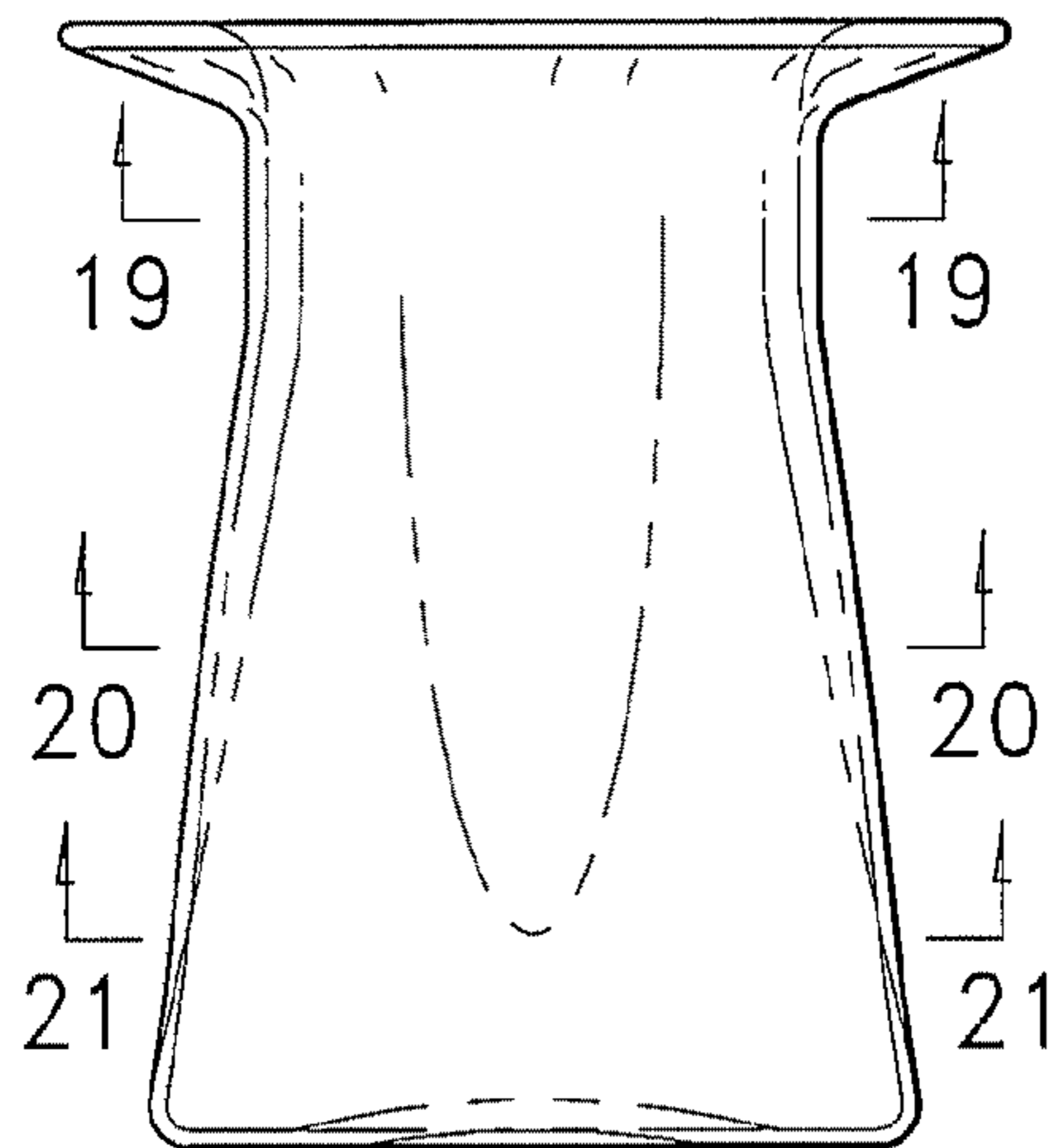


Fig. 16

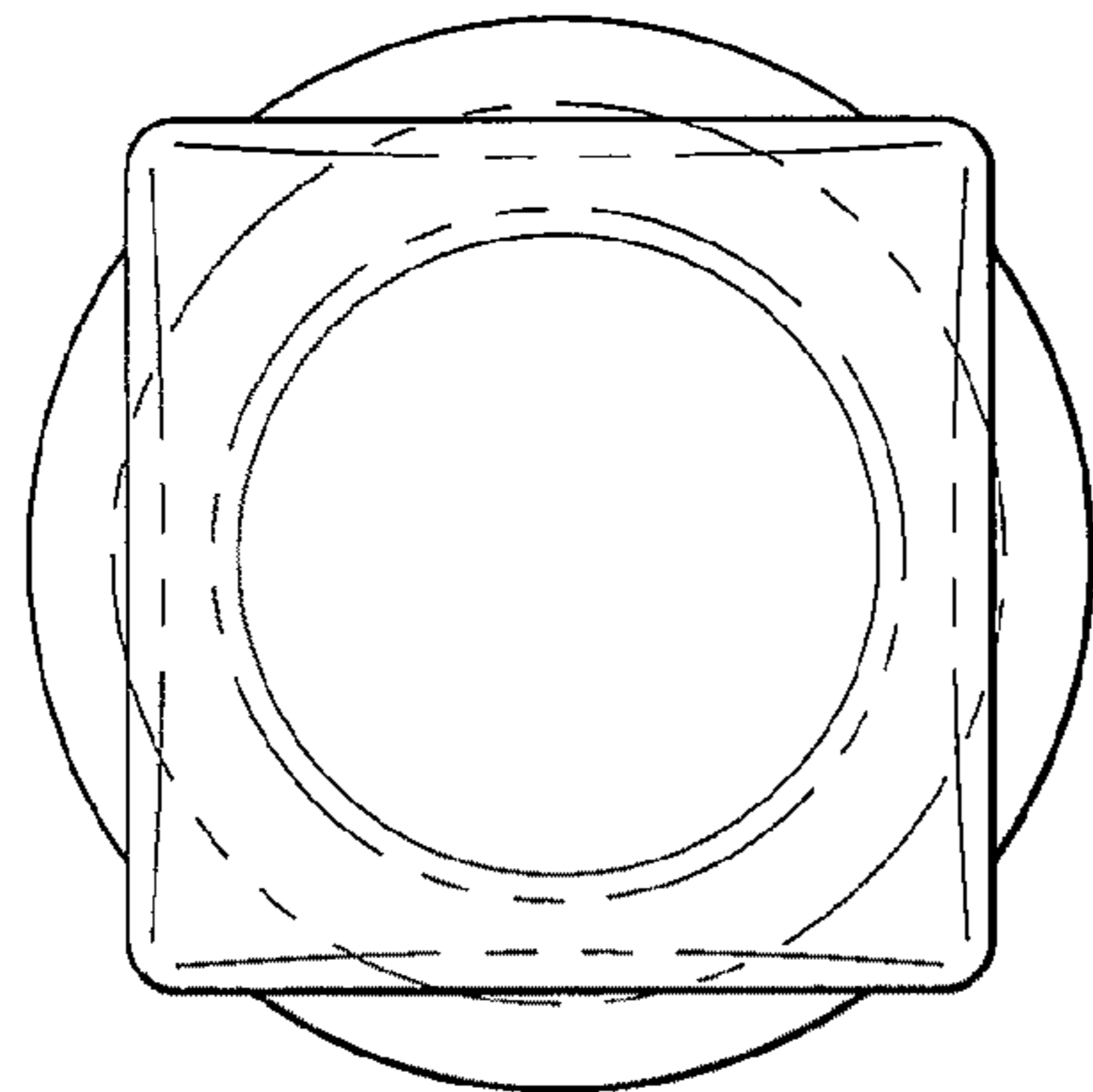


Fig. 18

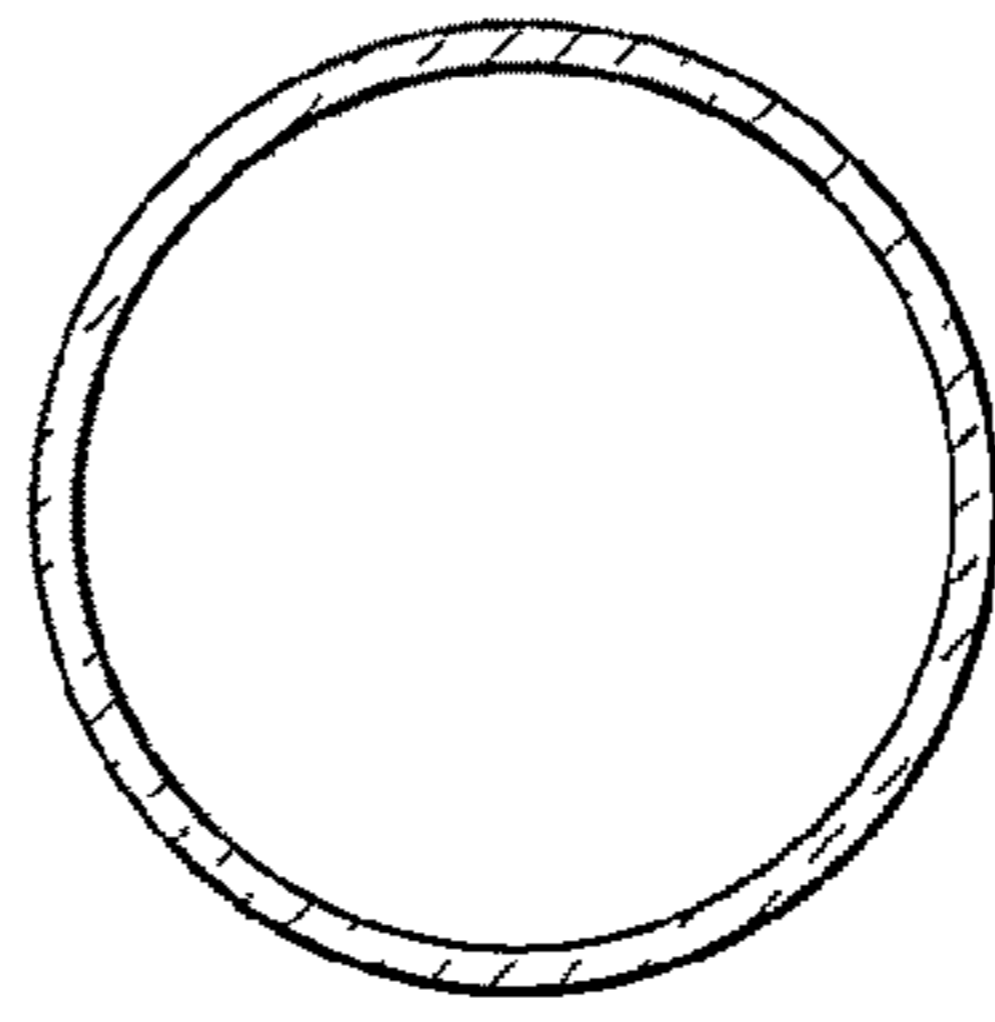


Fig. 19

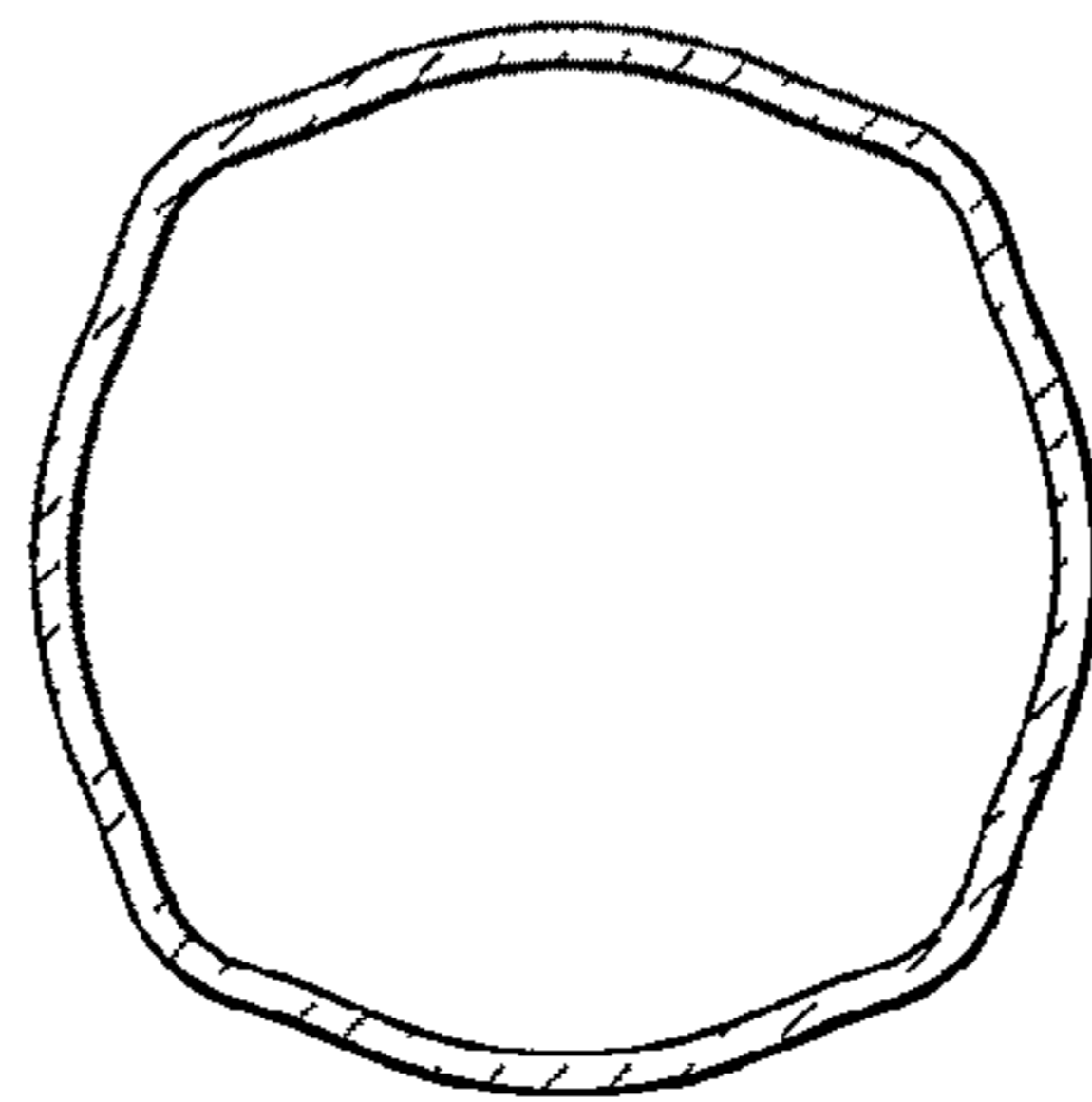


Fig. 20

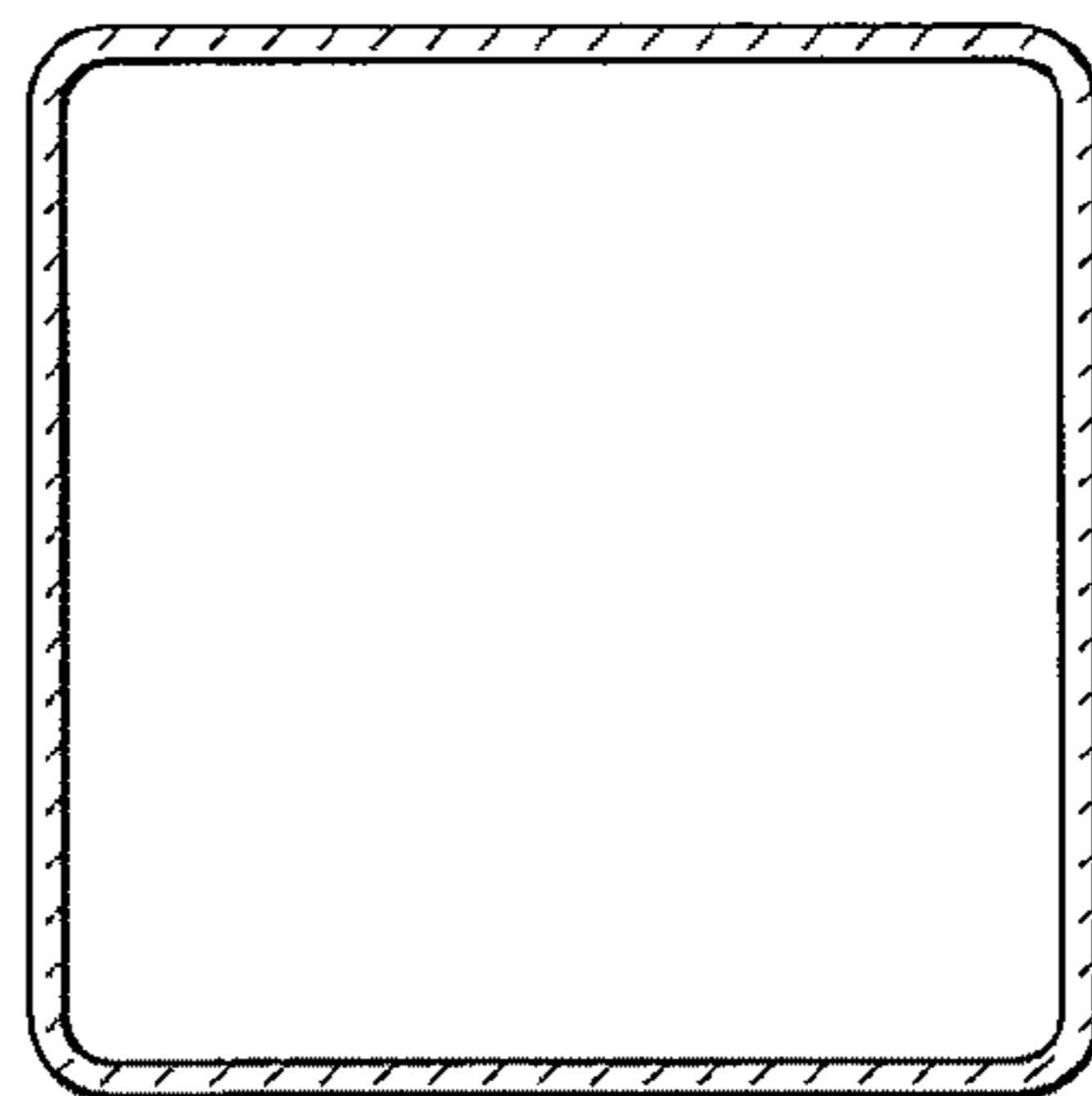


Fig. 21