



US00D652341S

(12) **United States Design Patent**
Humphries

(10) **Patent No.:** **US D652,341 S**

(45) **Date of Patent:** **** Jan. 17, 2012**

(54) **ANGLED JEWELRY CLASP**

(76) **Inventor:** **John Edward Faget Humphries**, New Orleans, LA (US)

(**) **Term:** **14 Years**

(21) **Appl. No.:** **29/397,929**

(22) **Filed:** **Jul. 22, 2011**

(51) **LOC (9) Cl.** **11-01**

(52) **U.S. Cl.** **D11/87**

(58) **Field of Classification Search** D11/200–231,
D11/87, 88, 3, 86; 63/12, 18, 20, 3, 3.1,
63/3.2; 24/196, 616, 625, 650, 114.6, 303,
24/658, 41.1; D8/382

See application file for complete search history.

(56) **References Cited**

U.S. PATENT DOCUMENTS

D87,434	S	*	7/1932	Haas	D11/200
D165,080	S	*	11/1951	Lennenberg	D11/87
2,615,227	A		10/1952	Hornik		
2,648,884	A		8/1953	Loofboro		
D170,403	S	*	9/1953	De Saint Germain	D11/6
2,956,324	A		10/1960	Klein		
3,621,690	A		11/1971	Whitcomb		
3,974,545	A	*	8/1976	Lossini	24/116 R
D264,828	S	*	6/1982	Gray	D11/87
D307,730	S	*	5/1990	Foster	D11/200
D325,546	S		4/1992	Collier		
5,664,298	A		9/1997	Nessar-Ivanovic		
5,701,640	A	*	12/1997	Locher	24/303
6,591,462	B2	*	7/2003	Fuhrman	24/303
6,598,271	B2		7/2003	Nire		
6,640,398	B2	*	11/2003	Hoffman	24/303
D500,459	S	*	1/2005	Phlippeau	D11/200
D514,474	S	*	2/2006	Neri	D11/200
7,152,282	B2		12/2006	Costa		
7,334,433	B1		2/2008	Fuhrman et al.		
D622,128	S	*	8/2010	Laurenza	D11/87
D625,643	S	*	10/2010	Desser	D11/87

(Continued)

Primary Examiner — Cathron Brooks

Assistant Examiner — Melanie Pellegrini

(74) *Attorney, Agent, or Firm* — Amster, Rothstein & Ebenstein, LLP

(57) **CLAIM**

The ornamental design for an angled jewelry clasp, as shown and described.

DESCRIPTION

FIG. 1 is a top, front perspective view of the angled jewelry clasp, in an open position, with a portion of unclaimed environmental structure shown;

FIG. 2 is a top, front perspective view of the angled jewelry clasp, in a closed position, with a portion of unclaimed environmental structure shown;

FIG. 3 is a side view of the angled jewelry clasp, in a closed position;

FIG. 4 is an opposite side view of the angled jewelry clasp, in a closed position;

FIG. 5 is a front view of the angled jewelry clasp, in a closed position;

FIG. 6 is a rear view of the angled jewelry clasp, in a closed position;

FIG. 7 is top view of the angled jewelry clasp, in a closed position, with a portion of unclaimed environmental structure shown;

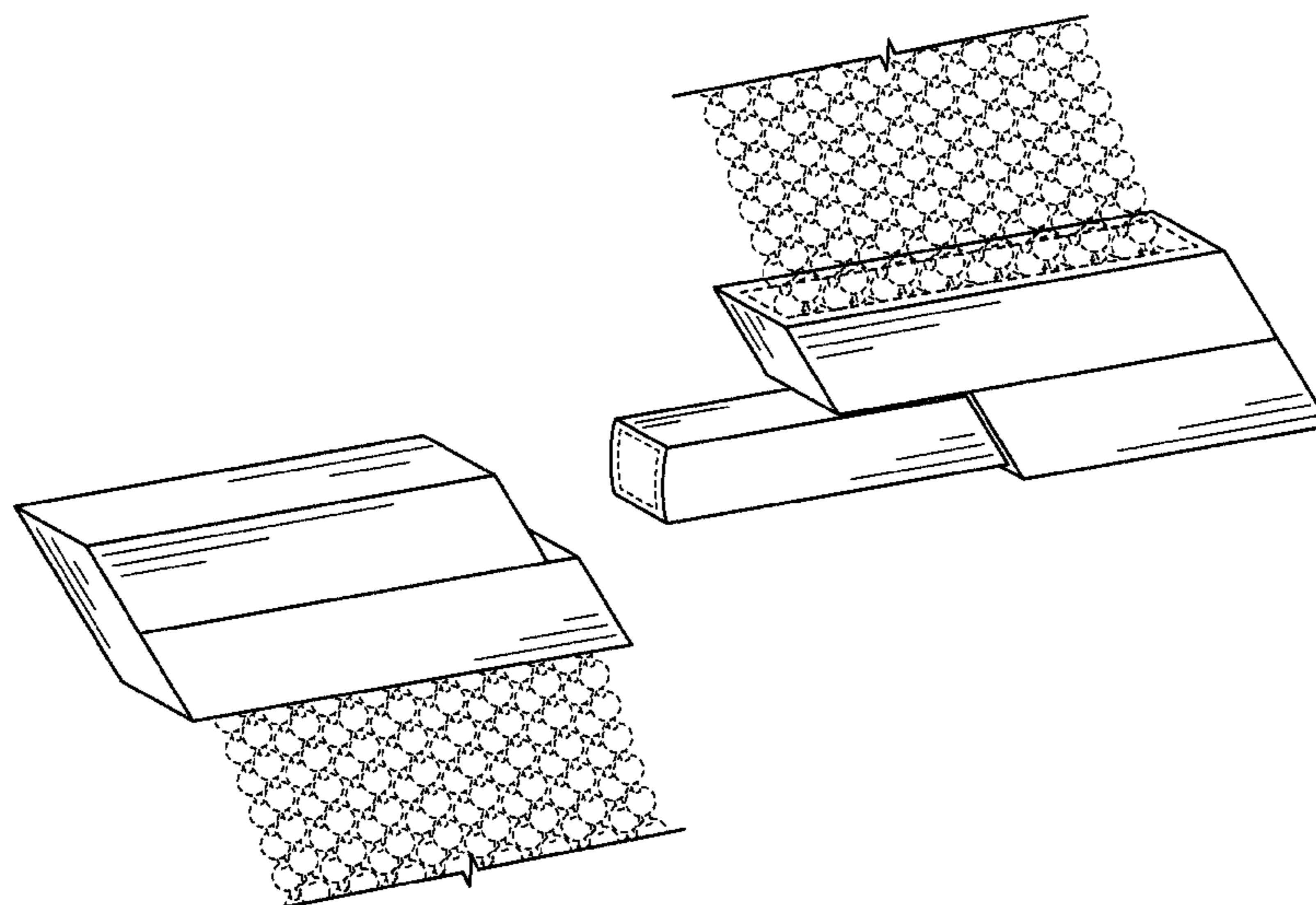
FIG. 8 is a bottom view of the angled jewelry clasp, in a closed position, with a portion of unclaimed environmental structure shown;

FIG. 9 is a bottom, front perspective view of the angled jewelry clasp, in an open position, with a portion of unclaimed environmental structure shown; and,

FIG. 10 is a side view of the angled jewelry clasp, in an open position, with a portion of unclaimed environmental structure shown.

The broken lines shown in the drawings represent environmental structure and/or unclaimed portions of the angled jewelry clasp, and form no part of the claimed design.

1 Claim, 5 Drawing Sheets



US D652,341 S

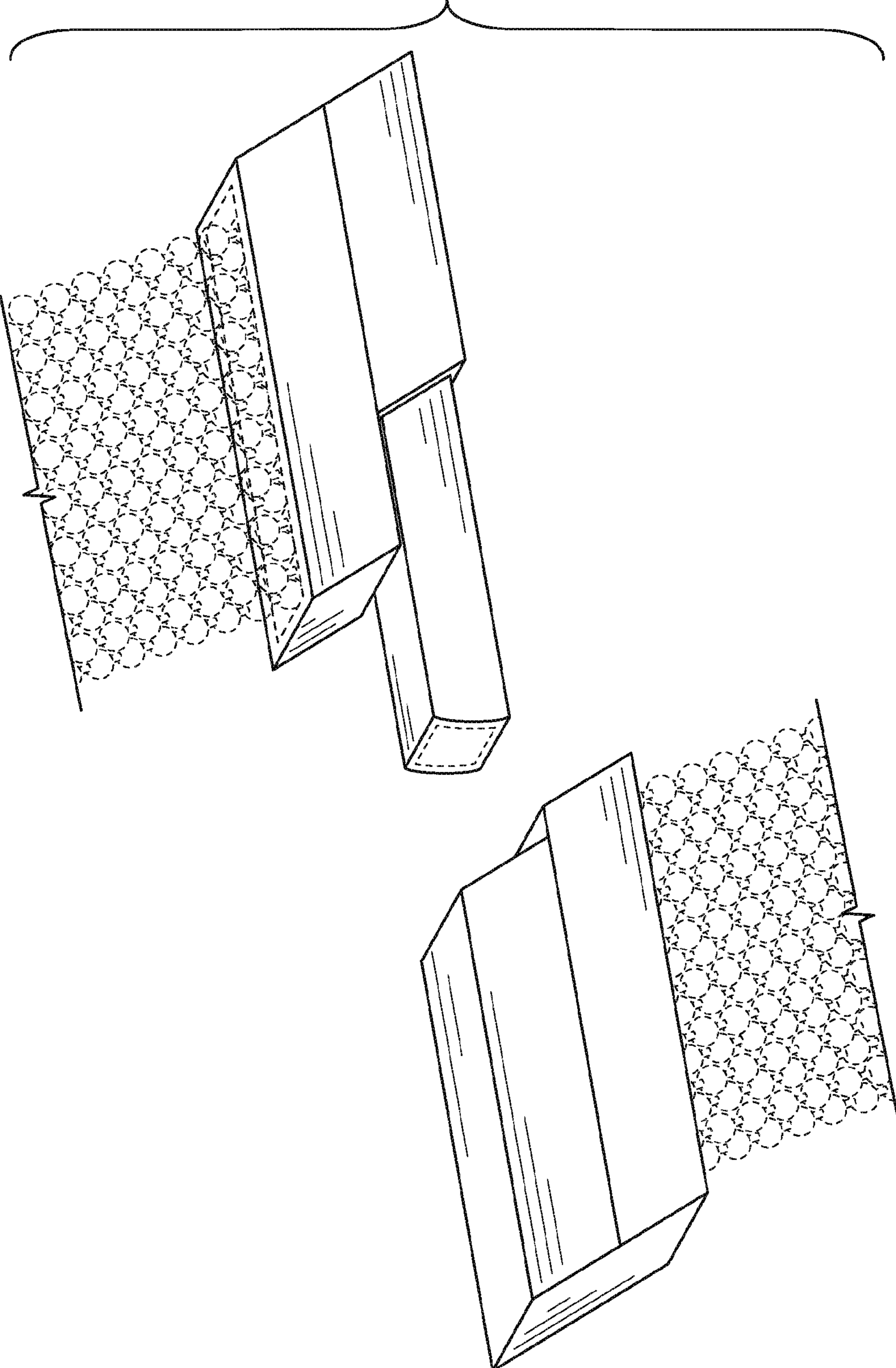
Page 2

U.S. PATENT DOCUMENTS

* cited by examiner

D629,712	S	*	12/2010	Humphries	D11/87
D630,543	S	*	1/2011	Humphries	D11/87
D631,780	S	*	2/2011	Levy	D11/87
D642,954	S	*	8/2011	Humphries	D11/87
2003/0229974	A1	*	12/2003	Zemer et al.	24/303

FIG. 1



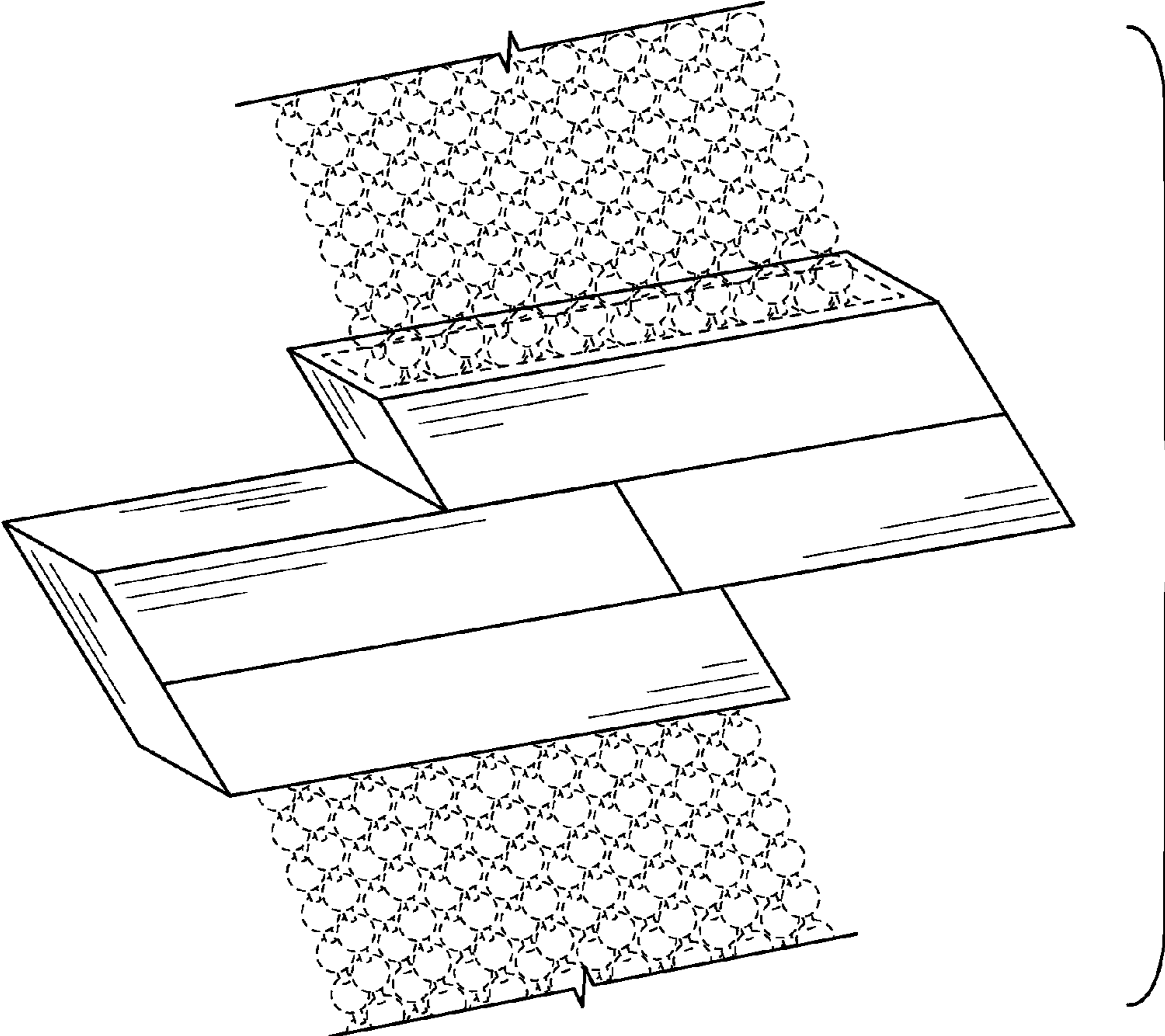


FIG. 2

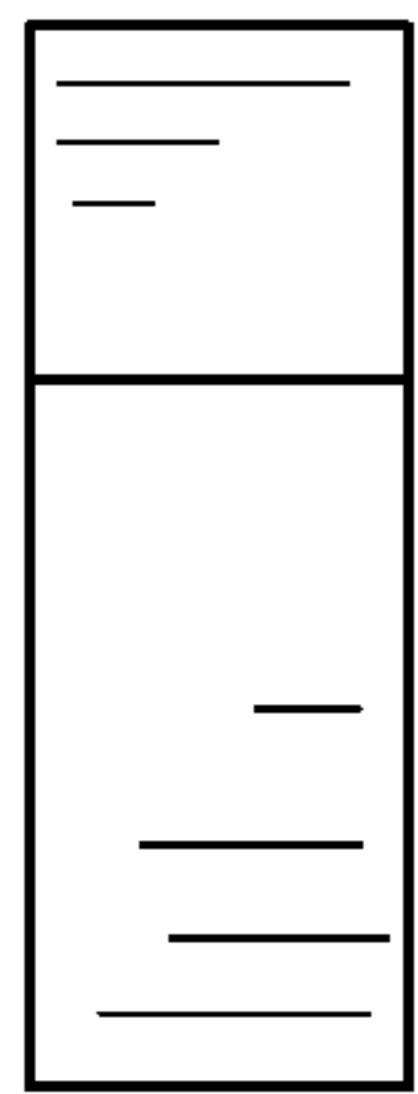


FIG. 3

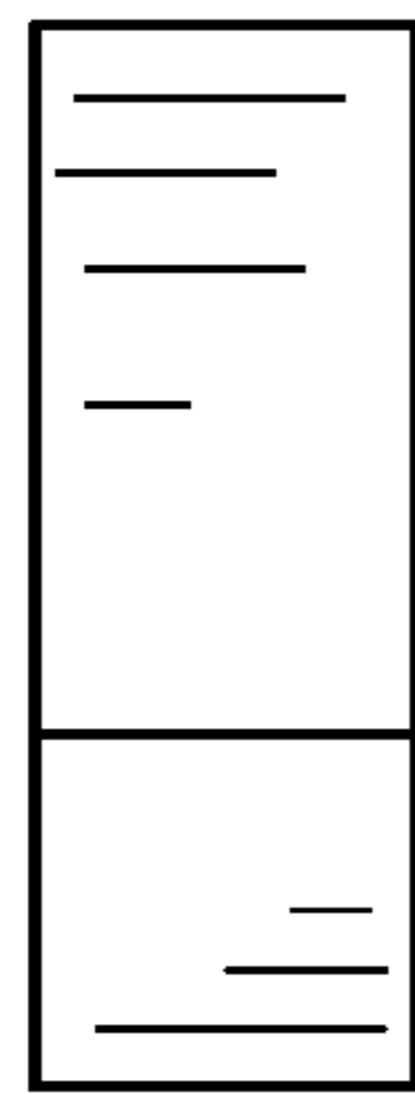


FIG. 4

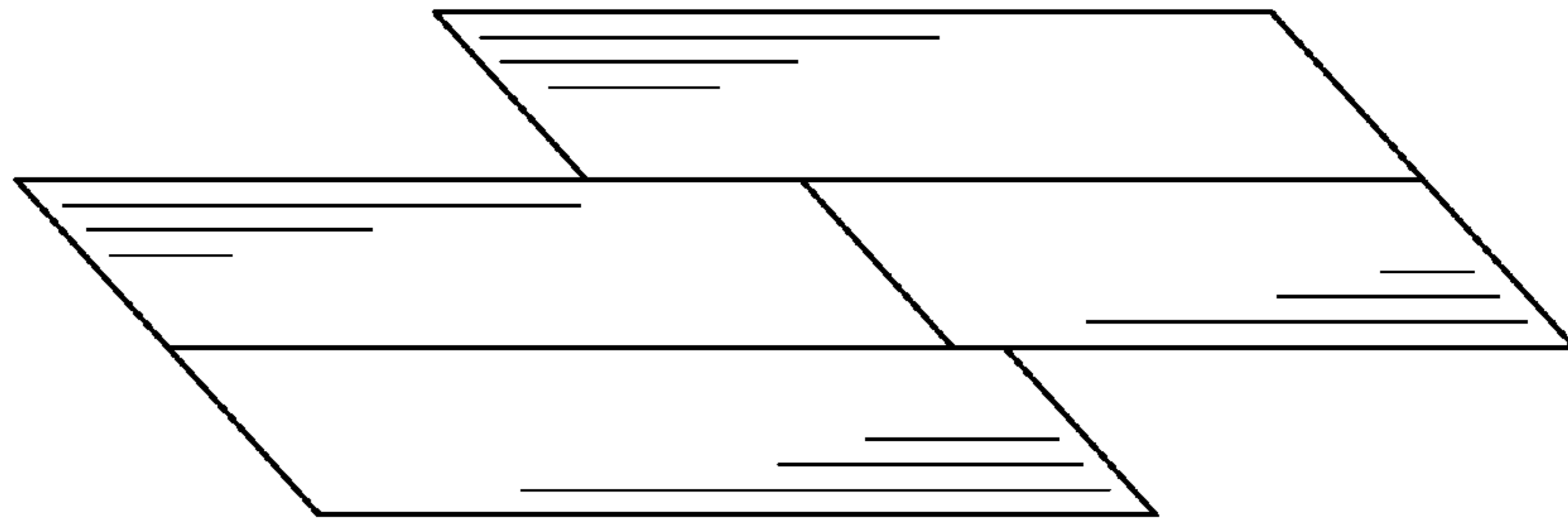


FIG. 5

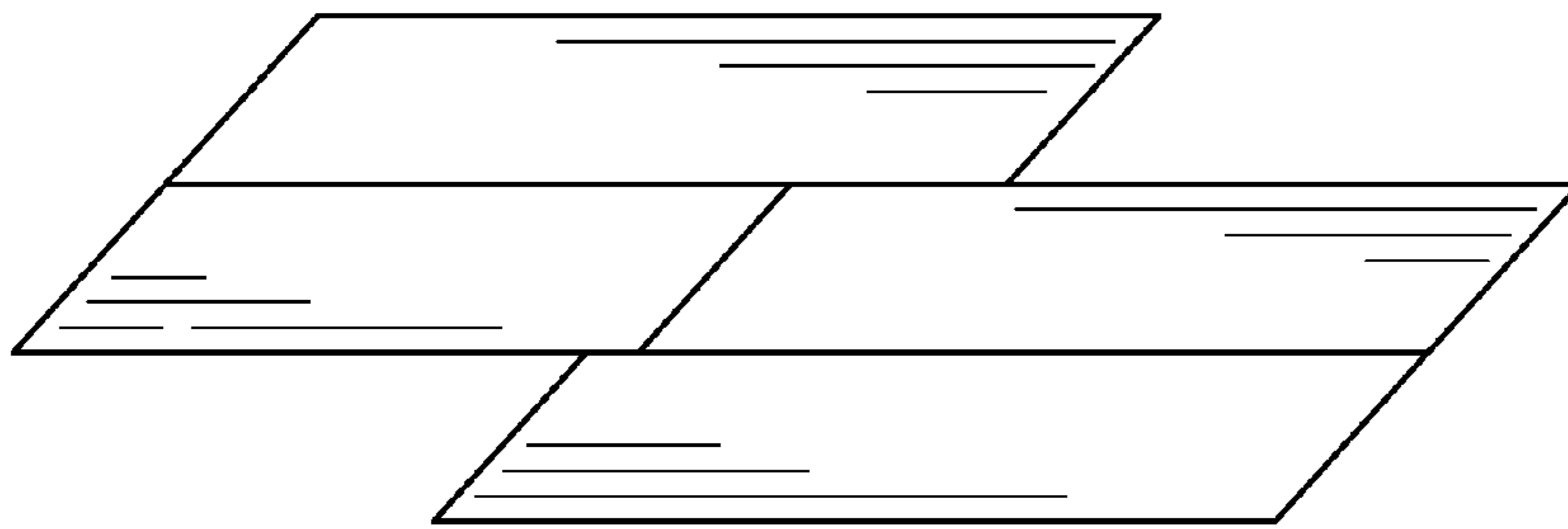


FIG. 6

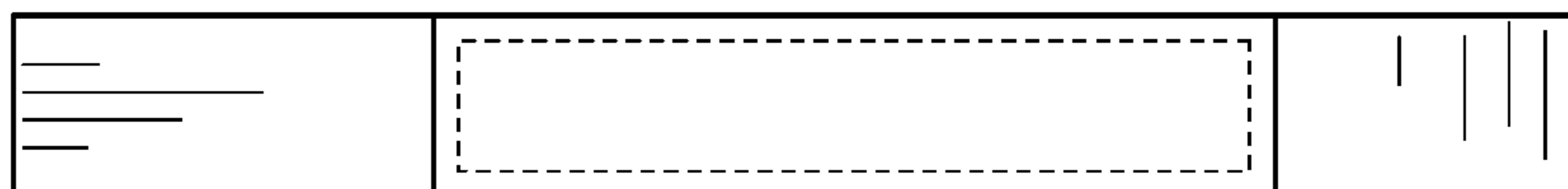


FIG. 7

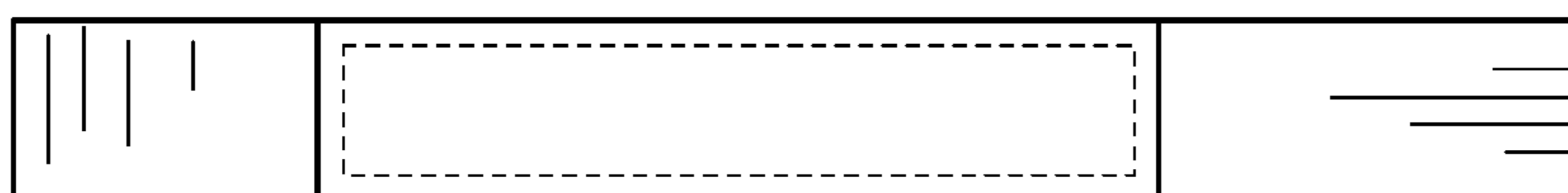


FIG. 8

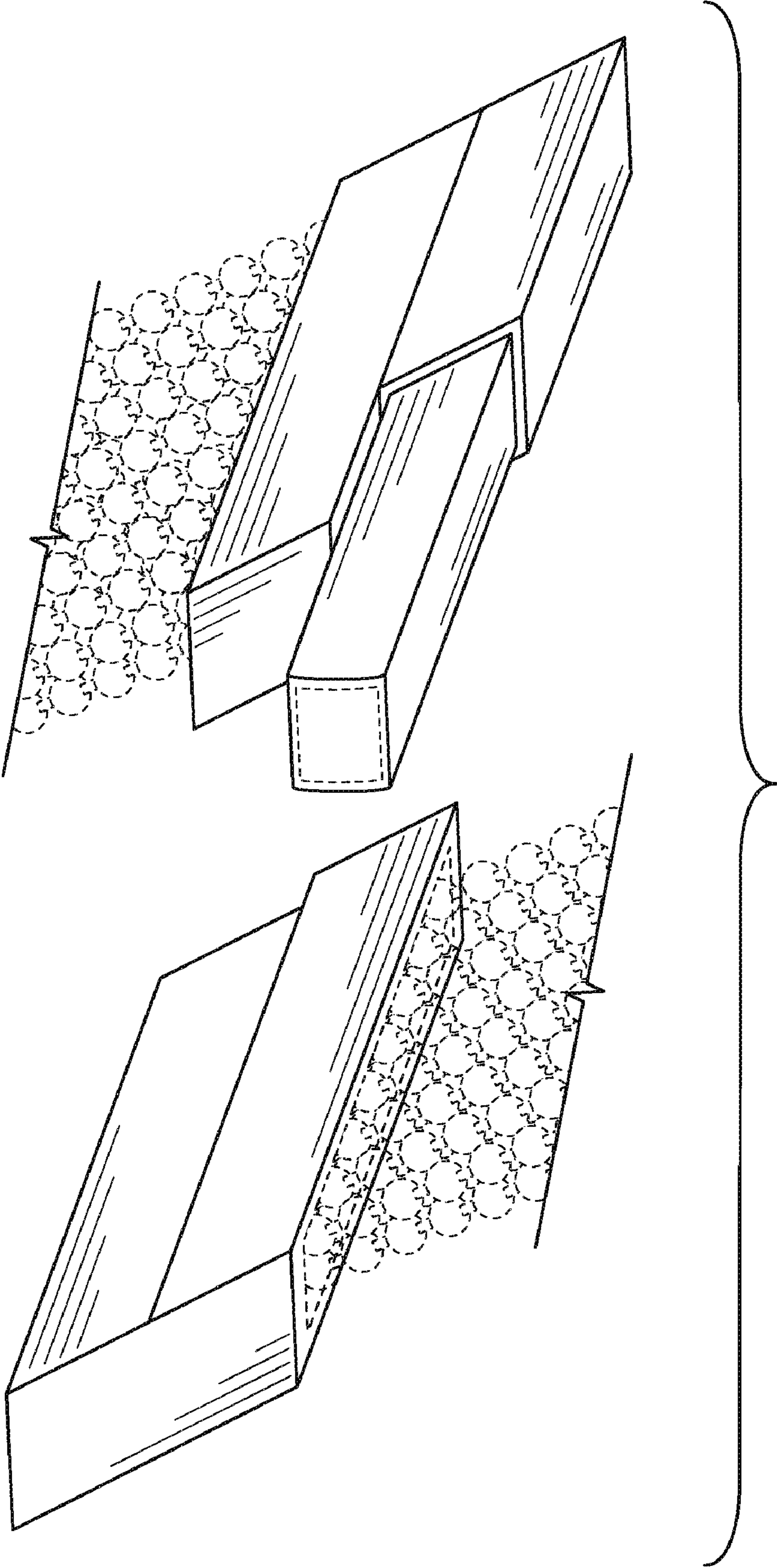


FIG. 9

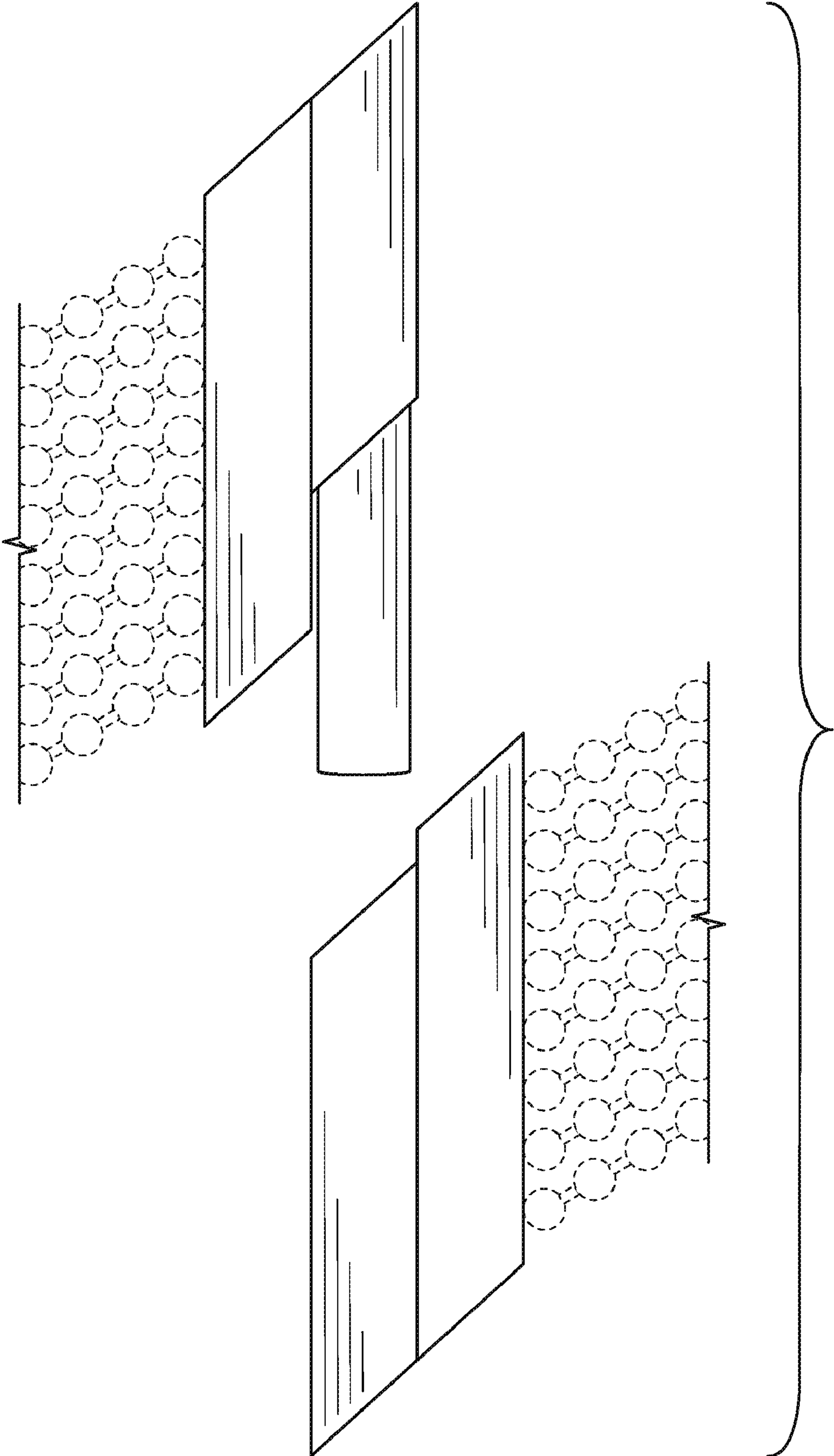


FIG. 10