



US00D652340S

(12) **United States Design Patent**
Kaufmann

(10) **Patent No.:** **US D652,340 S**
(45) **Date of Patent:** **** Jan. 17, 2012**

(54) **FINGER RING**

(75) Inventor: **Christopher Kaufmann**, Palm Beach,
FL (US)

(73) Assignee: **Christopher Kaufmann**, Palm Beach,
FL (US)

(**) Term: **14 Years**

(21) Appl. No.: **29/376,548**

(22) Filed: **Oct. 8, 2010**

(51) **LOC (9) Cl.** **11-01**

(52) **U.S. Cl.** **D11/34**

(58) **Field of Classification Search** D11/3-6,
D11/26-39; 63/15, 15.1-15.4, 15.45, 15.5,
63/15.6, 15.65, 15.7, 26-28

See application file for complete search history.

(56) **References Cited**

U.S. PATENT DOCUMENTS

D363,252 S *	10/1995	Ambar et al.	D11/34
D402,912 S *	12/1998	Itzkowitz	D11/29
D432,938 S *	10/2000	Vardakis et al.	D11/26
D446,149 S *	8/2001	Itzkowitz	D11/36
D446,470 S *	8/2001	Itzkowitz	D11/26
D449,245 S *	10/2001	Ambar	D11/36
D506,496 S *	6/2005	Shah	D11/34
D508,073 S *	8/2005	Shah	D11/34
D513,202 S *	12/2005	Shah	D11/34
D561,632 S *	2/2008	Allin	D11/34
D598,802 S *	8/2009	Bulgari	D11/35
D614,068 S *	4/2010	Vagal	D11/34

* cited by examiner

Primary Examiner — Cathron Brooks

Assistant Examiner — Melanie Levy

(74) *Attorney, Agent, or Firm* — Duane Morris LLP; J. Rodman Steele, Jr.; Karen C. Kline

(57) **CLAIM**

The ornamental design for a finger ring, as shown and described.

DESCRIPTION

FIG. 1 is a perspective view of a finger ring, showing my new design;

FIG. 2 is a front elevational view, the rear view being a mirror image thereof;

FIG. 3 is a right side elevational view, the left side elevational view being a mirror image thereof;

FIG. 4 is a top plan view thereof;

FIG. 5 is a bottom plan view thereof;

FIG. 6 is another perspective view of the finger ring of FIG. 1, but shown in a different environment, showing my new design;

FIG. 7 is a front elevational view of FIG. 6, the rear view being a mirror image thereof;

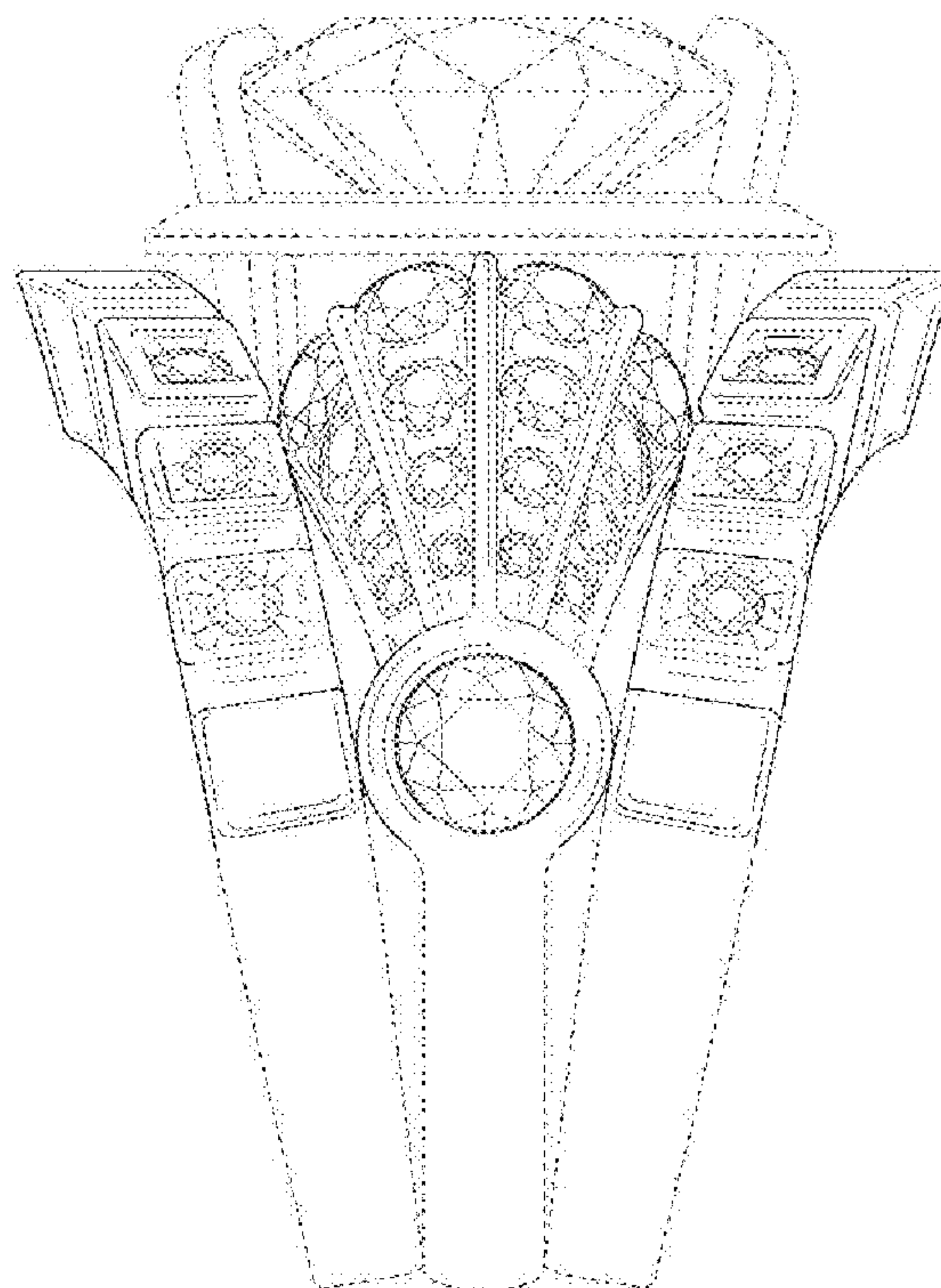
FIG. 8 is a right side elevational view of FIG. 6, the left side elevational view being a mirror image thereof;

FIG. 9 is a top plan view of FIG. 6; and,

FIG. 10 is a bottom plan view of FIG. 6.

The broken line portions are shown for environmental purposes and form no part of the claimed design.

1 Claim, 10 Drawing Sheets



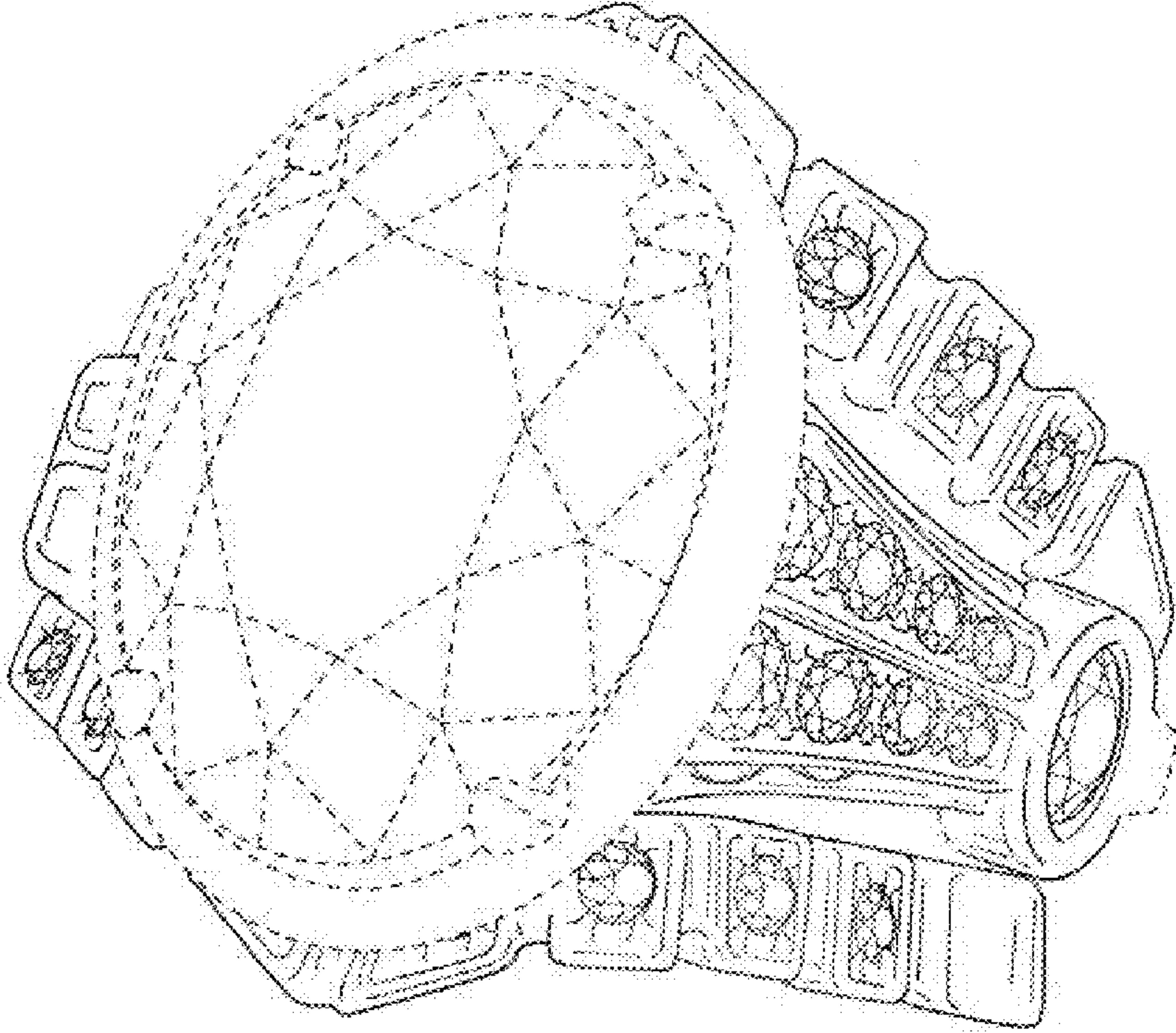


FIG. 1

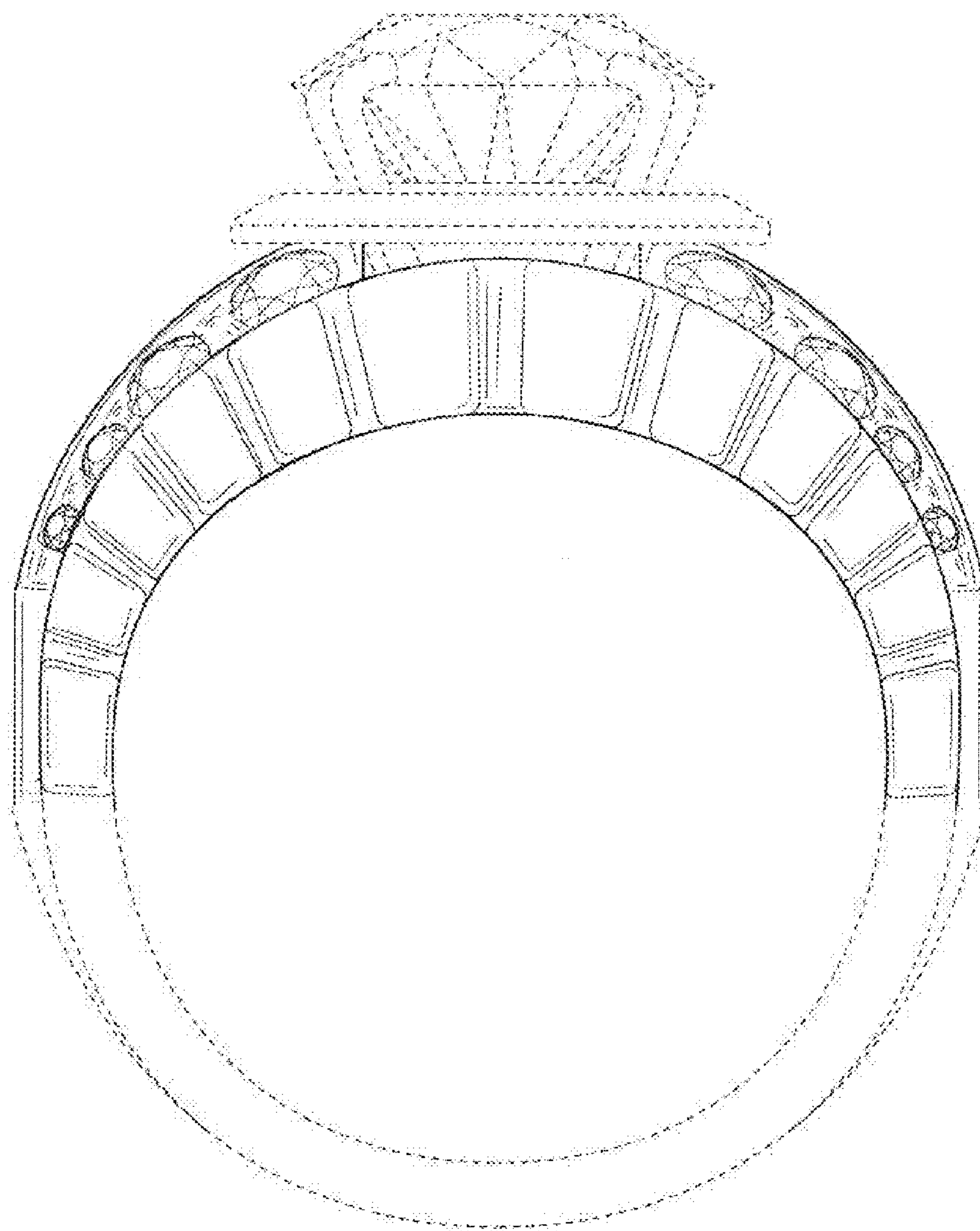


FIG. 2

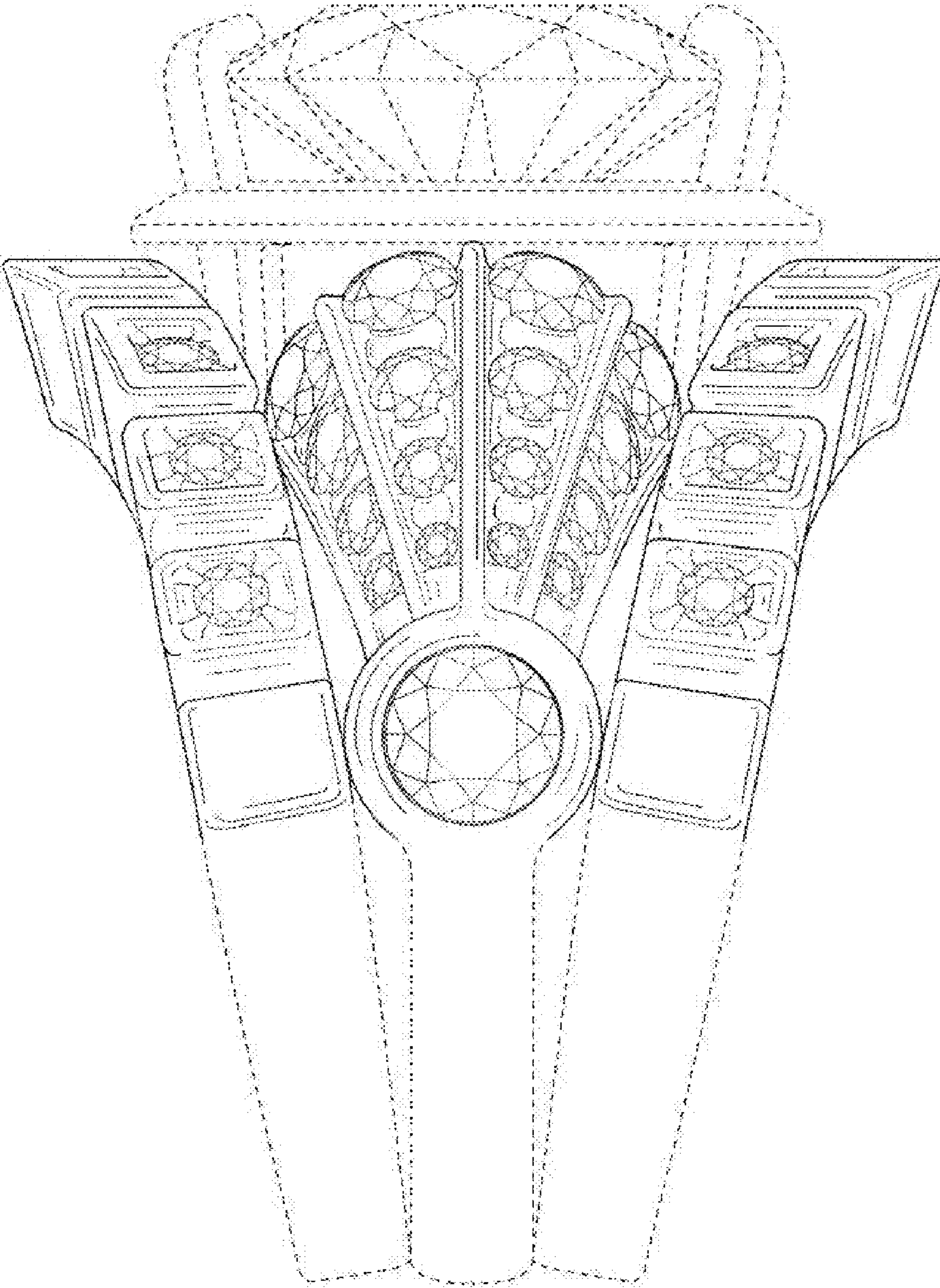


FIG. 3

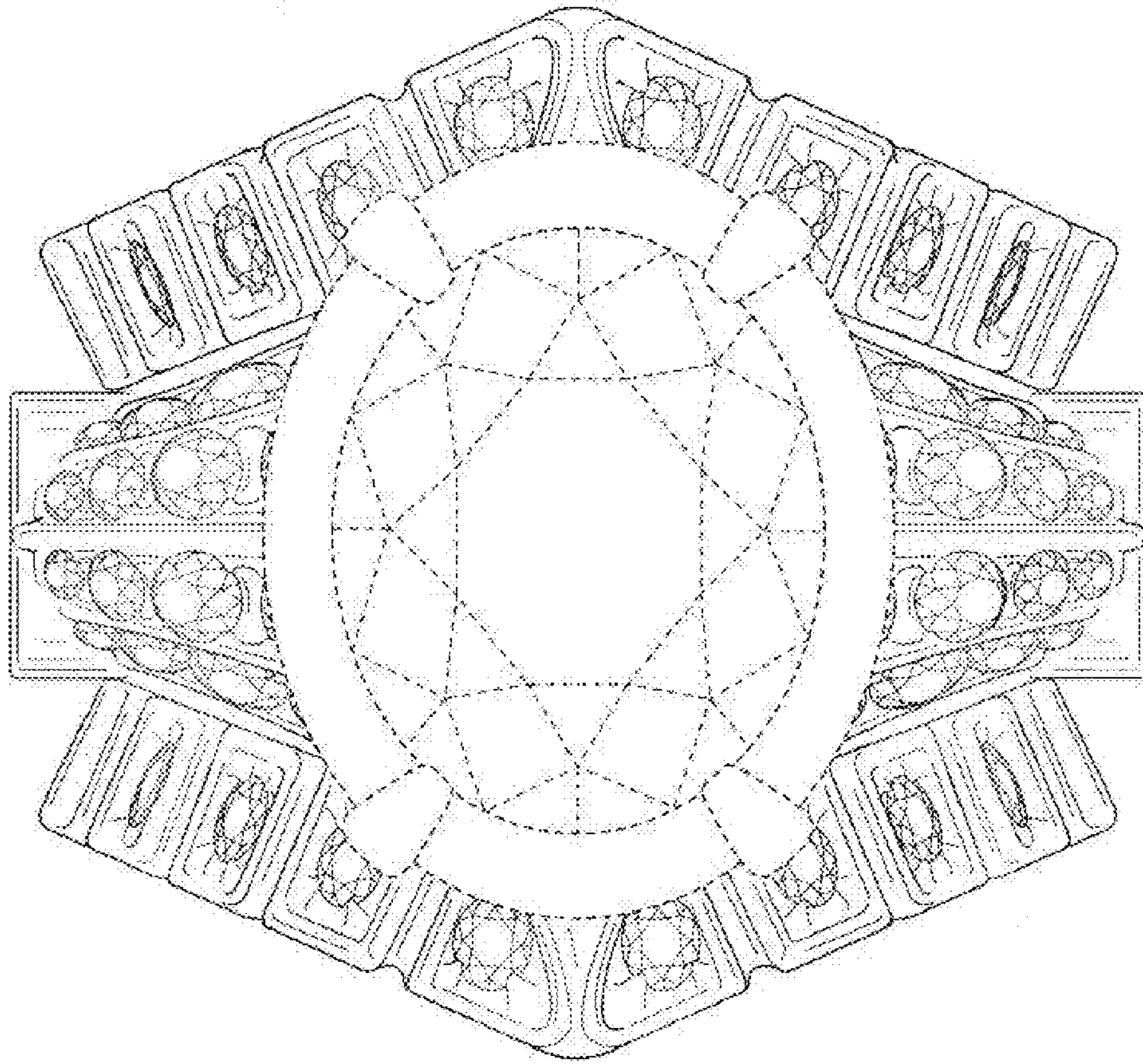


FIG. 4

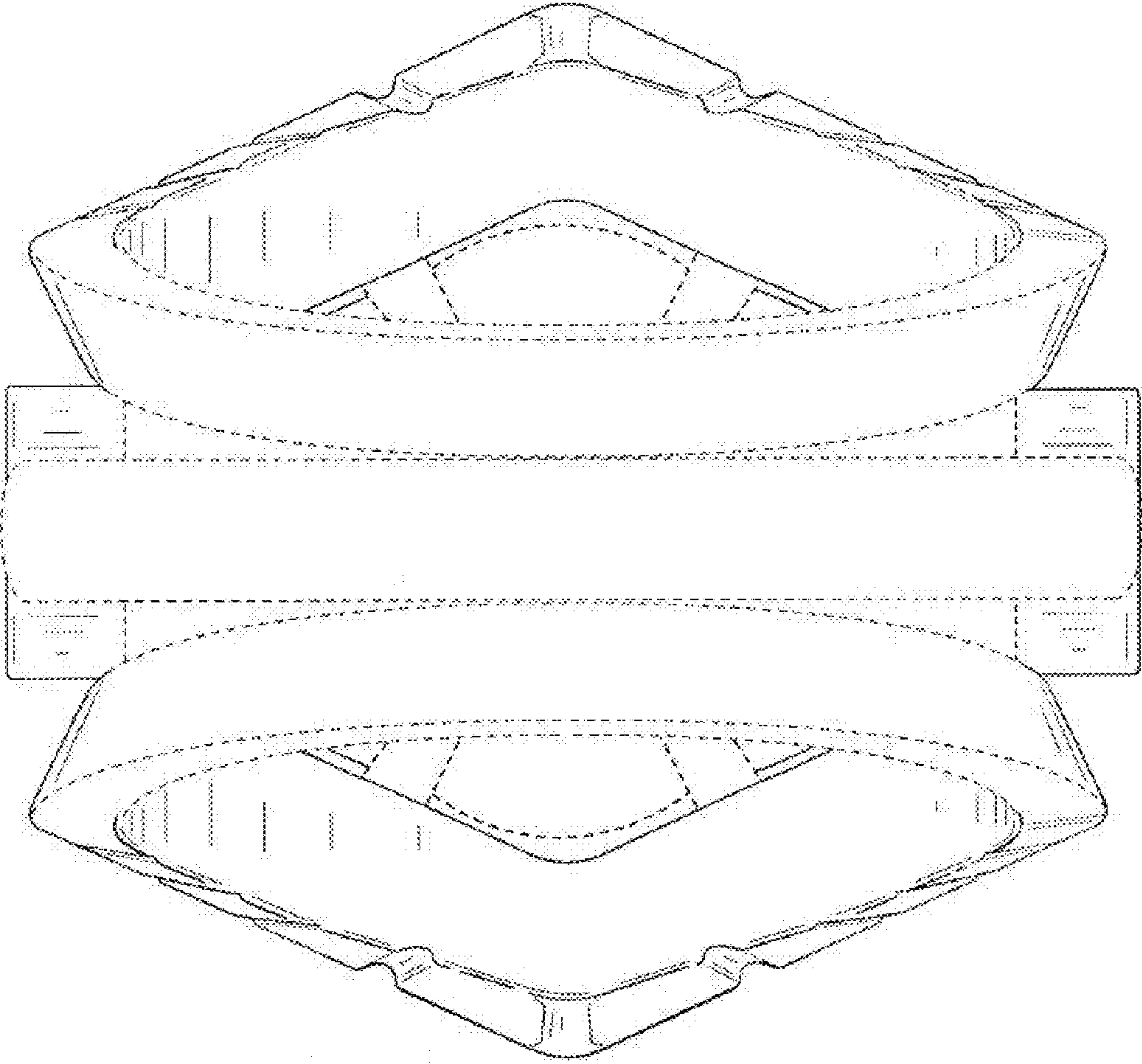


FIG. 5

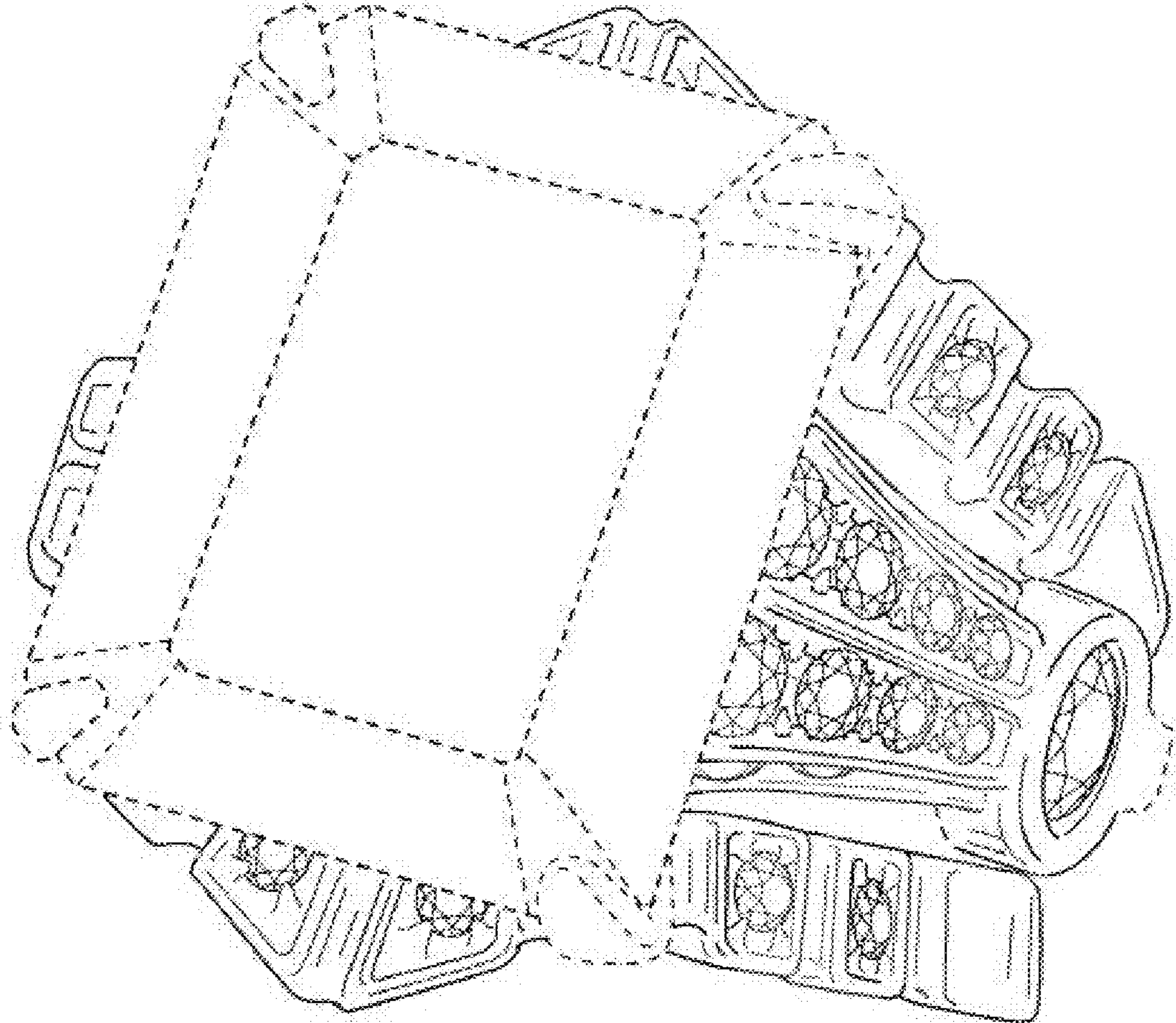


FIG. 6

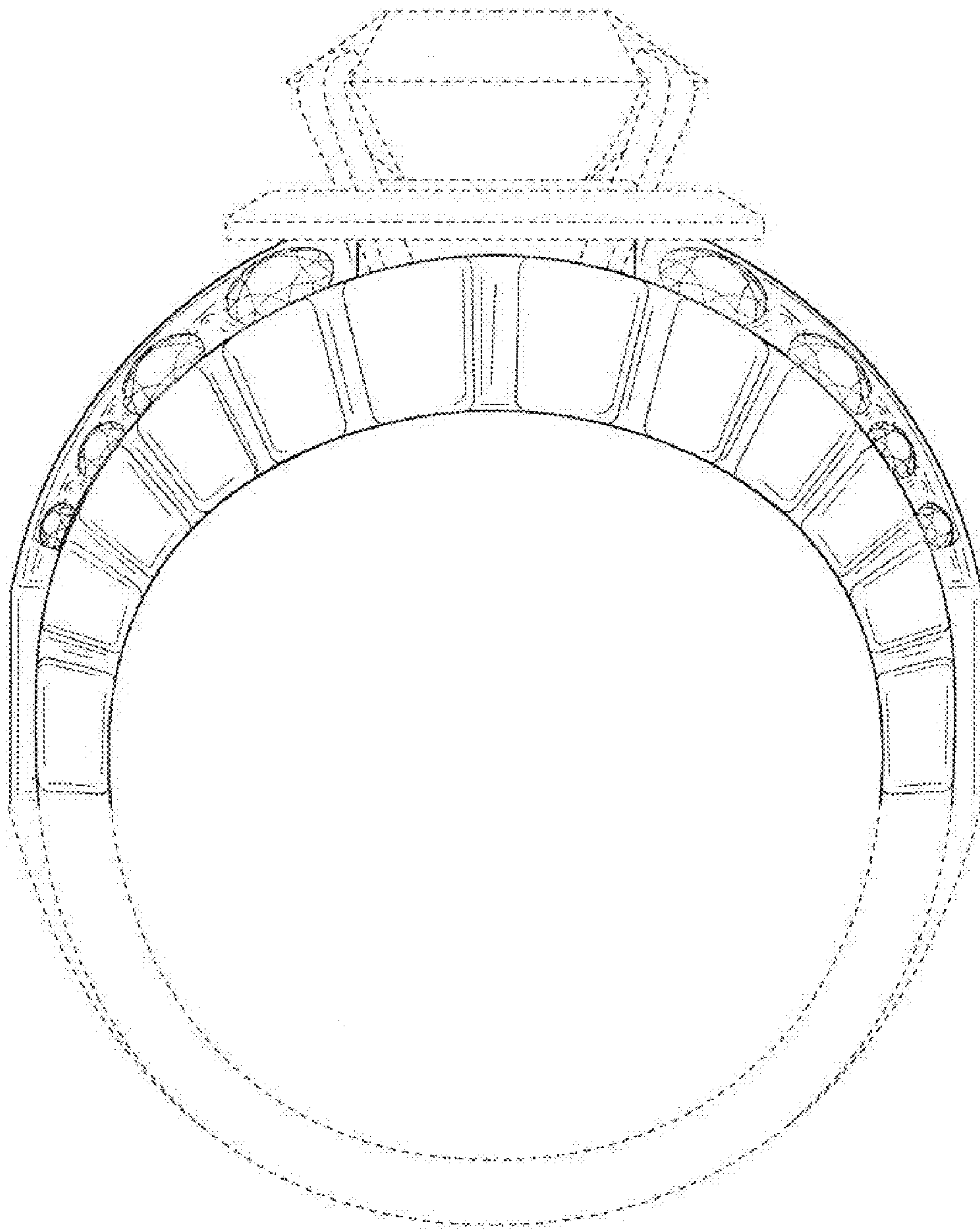


FIG. 7

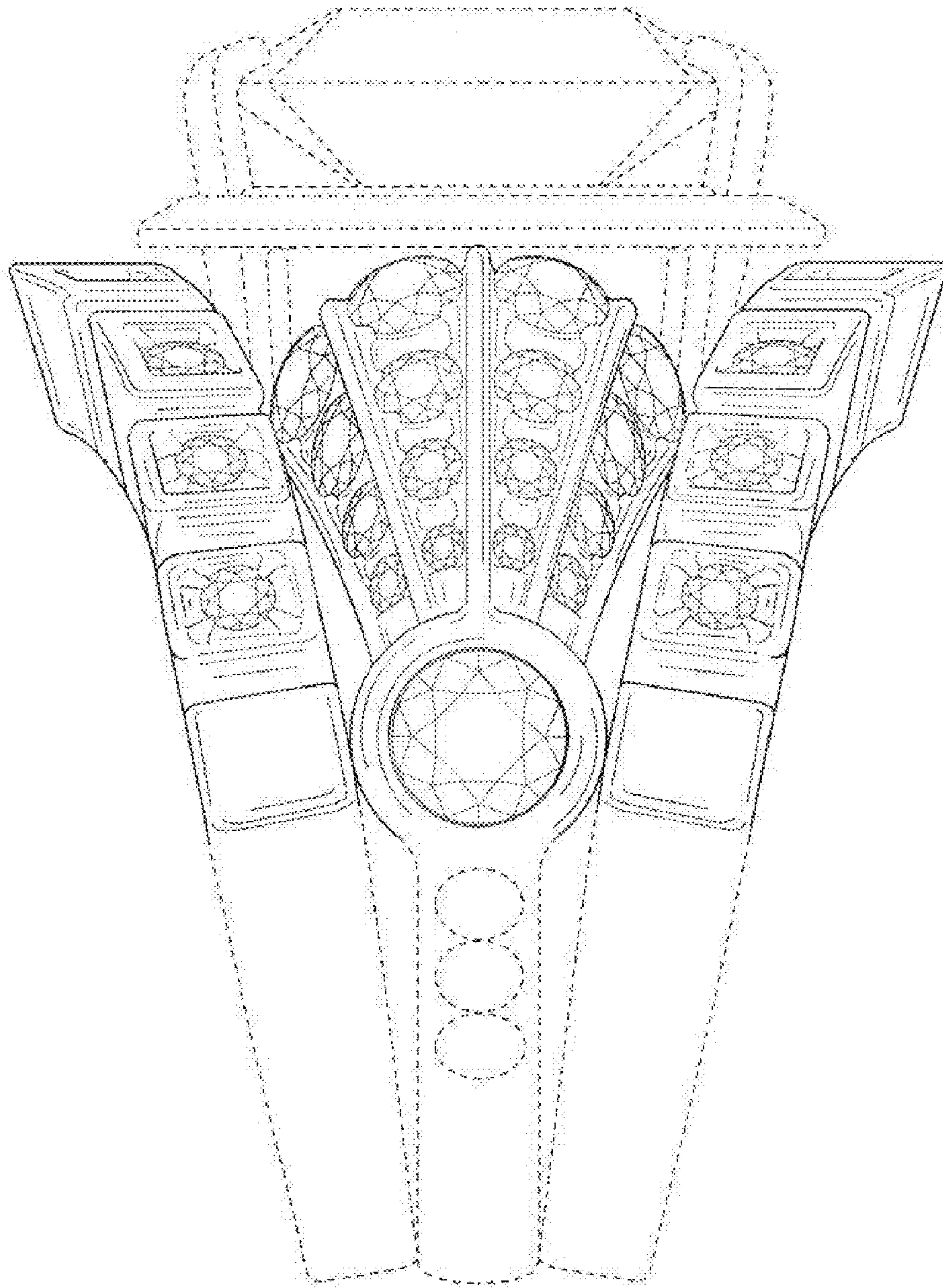


FIG. 8

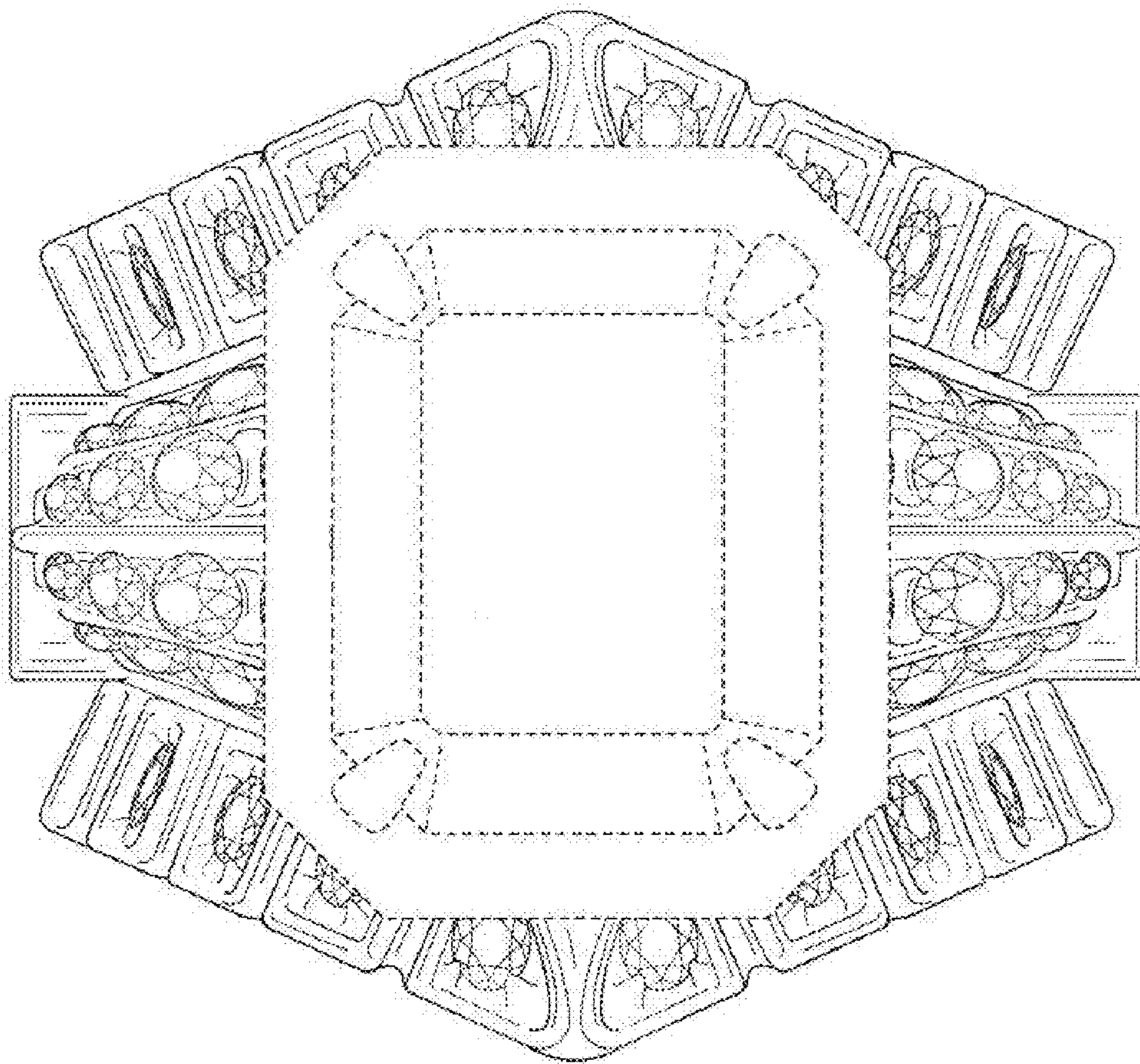


FIG. 9

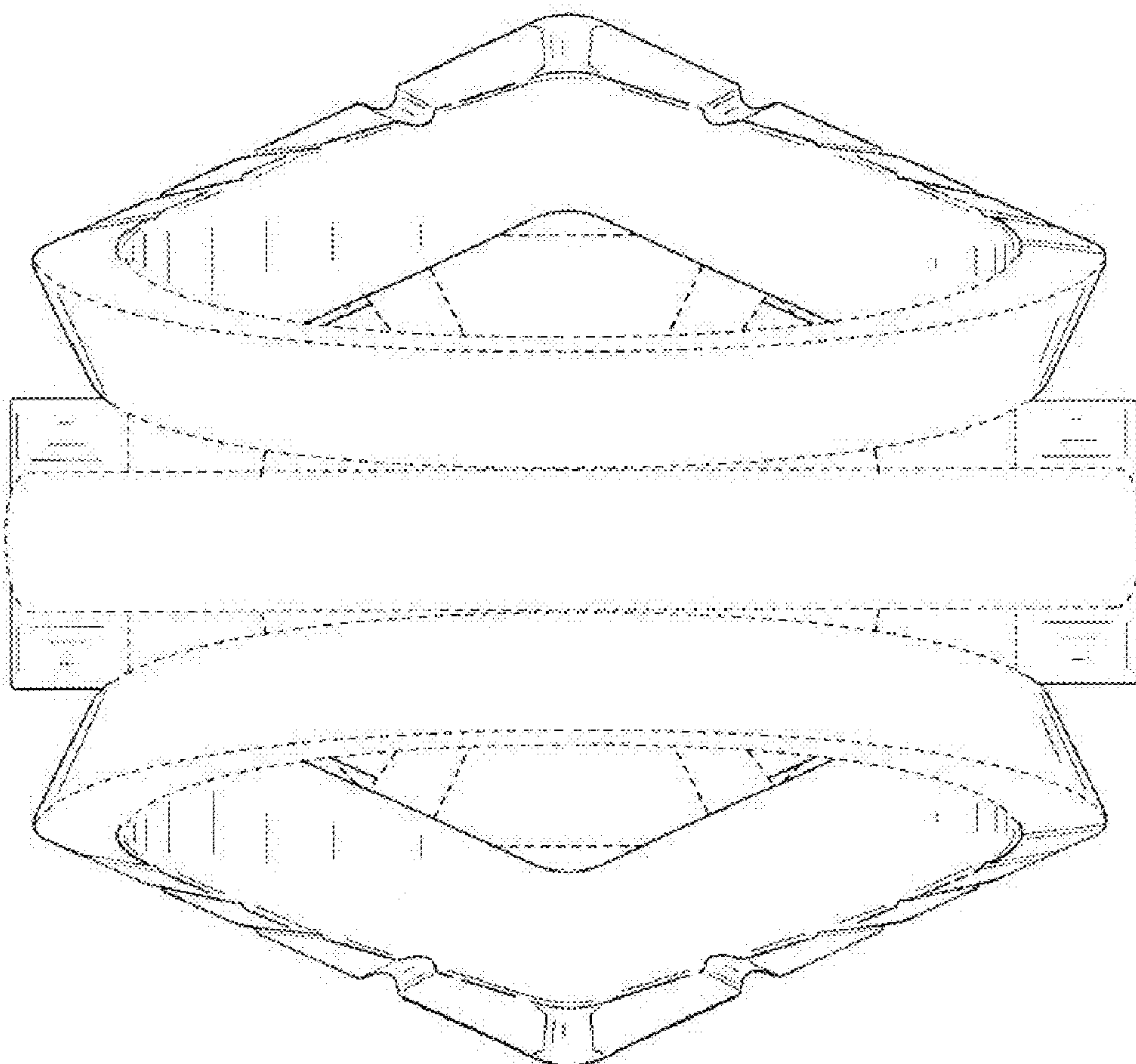


FIG. 10