



US00D652338S

(12) **United States Design Patent**  
**Lyftogt**

(10) **Patent No.:** **US D652,338 S**  
(45) **Date of Patent:** **\*\* Jan. 17, 2012**

- (54) **AWARENESS BRACELET**
  - (76) Inventor: **Joel Lyftogt**, Los Angeles, CA (US)
  - (\*\*) Term: **14 Years**
  - (21) Appl. No.: **29/394,254**
  - (22) Filed: **Jun. 15, 2011**
  - (51) **LOC (9) Cl.** ..... **11-01**
  - (52) **U.S. Cl.** ..... **D11/3**
  - (58) **Field of Classification Search** ..... D11/1-25,  
D11/26-39, 79; 63/12, 13, 1.11, 15, 15.1,  
63/15.2, 15.3, 15.4, 15.45, 15.5, 15.6, 15.65,  
63/15.7, 26, 27
- See application file for complete search history.

(56) **References Cited**

**U.S. PATENT DOCUMENTS**

D127,194	S	*	5/1941	O'Brien	.....	D5/16
2,242,544	A	*	5/1941	Porter	.....	63/15.5
D142,713	S	*	10/1945	Graeter	.....	D10/32
D147,512	S	*	9/1947	Smith	.....	D11/4
D176,265	S	*	12/1955	Adolph Katz	.....	D11/34
D211,538	S	*	6/1968	Liem	.....	D11/5
D265,808	S	*	8/1982	Barr	.....	D11/26
D311,836	S	*	11/1990	Dala et al.	.....	D6/547
D365,038	S	*	12/1995	Merritt	.....	D11/26
D369,569	S	*	5/1996	Kaufmann	.....	D11/4

\* cited by examiner

*Primary Examiner* — Cathron Brooks  
*Assistant Examiner* — Melanie Levy  
(74) *Attorney, Agent, or Firm* — Omni Legal Group; Omid E. Khalifeh

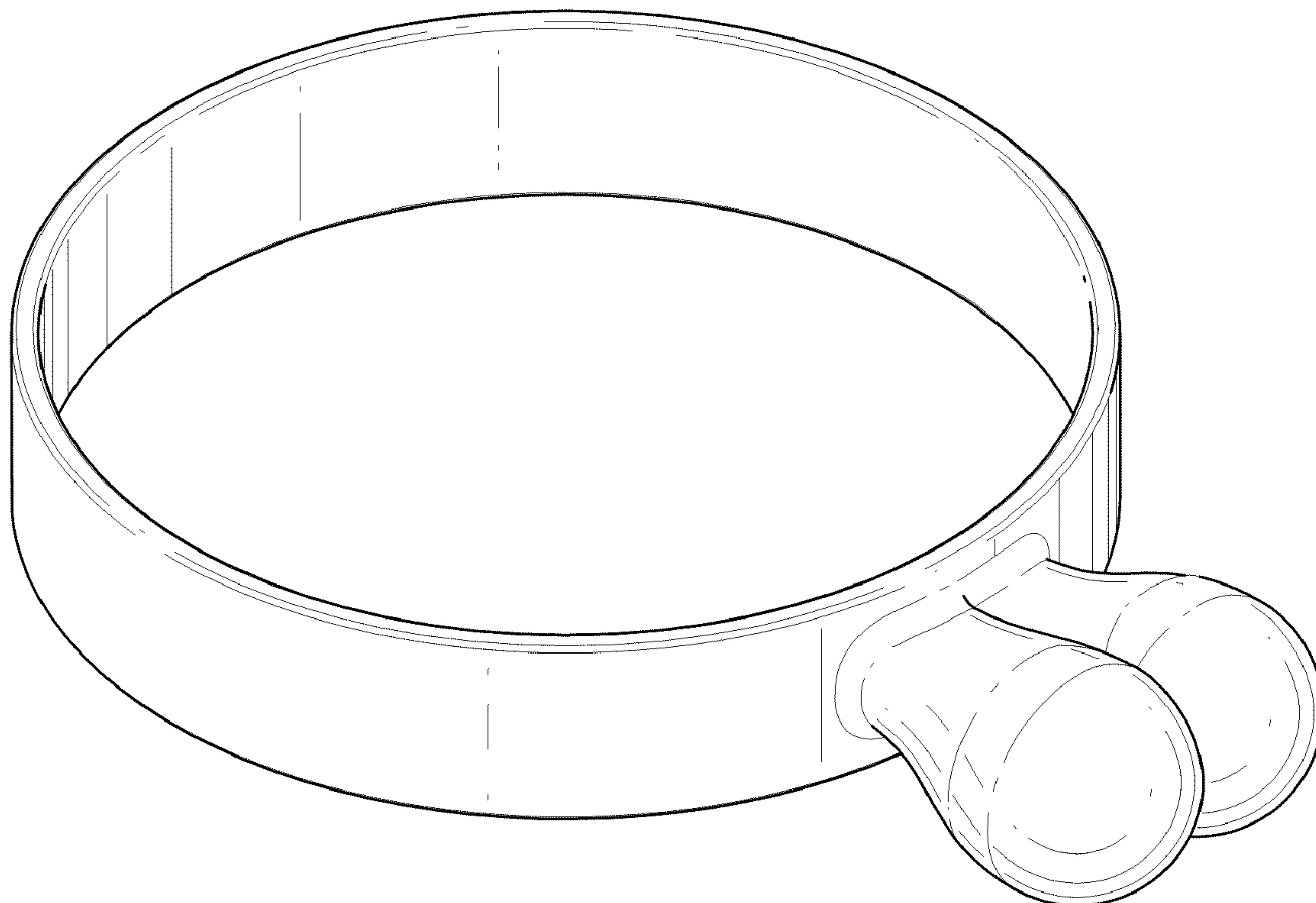
(57) **CLAIM**

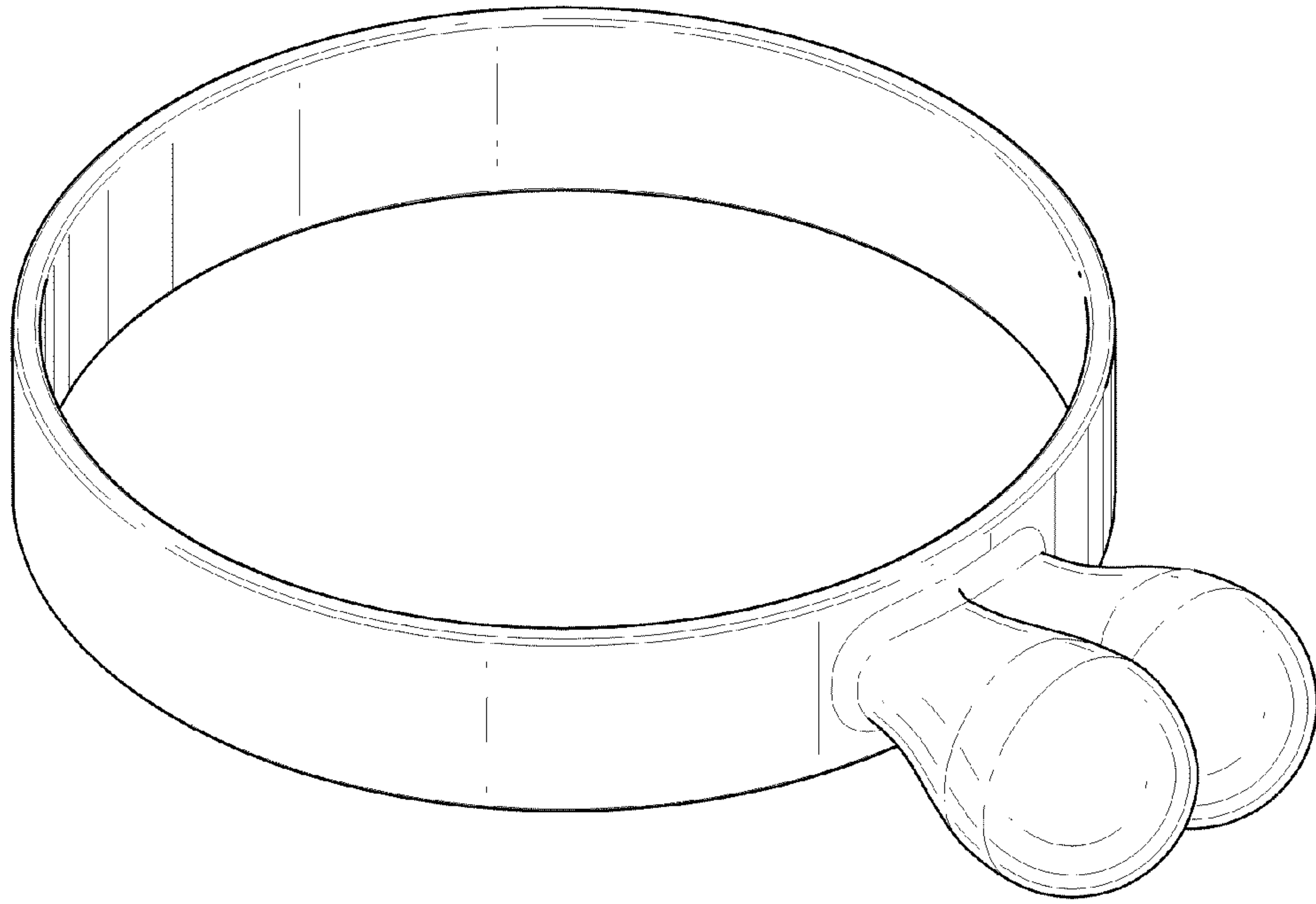
The ornamental design for an awareness bracelet, as shown and described.

**DESCRIPTION**

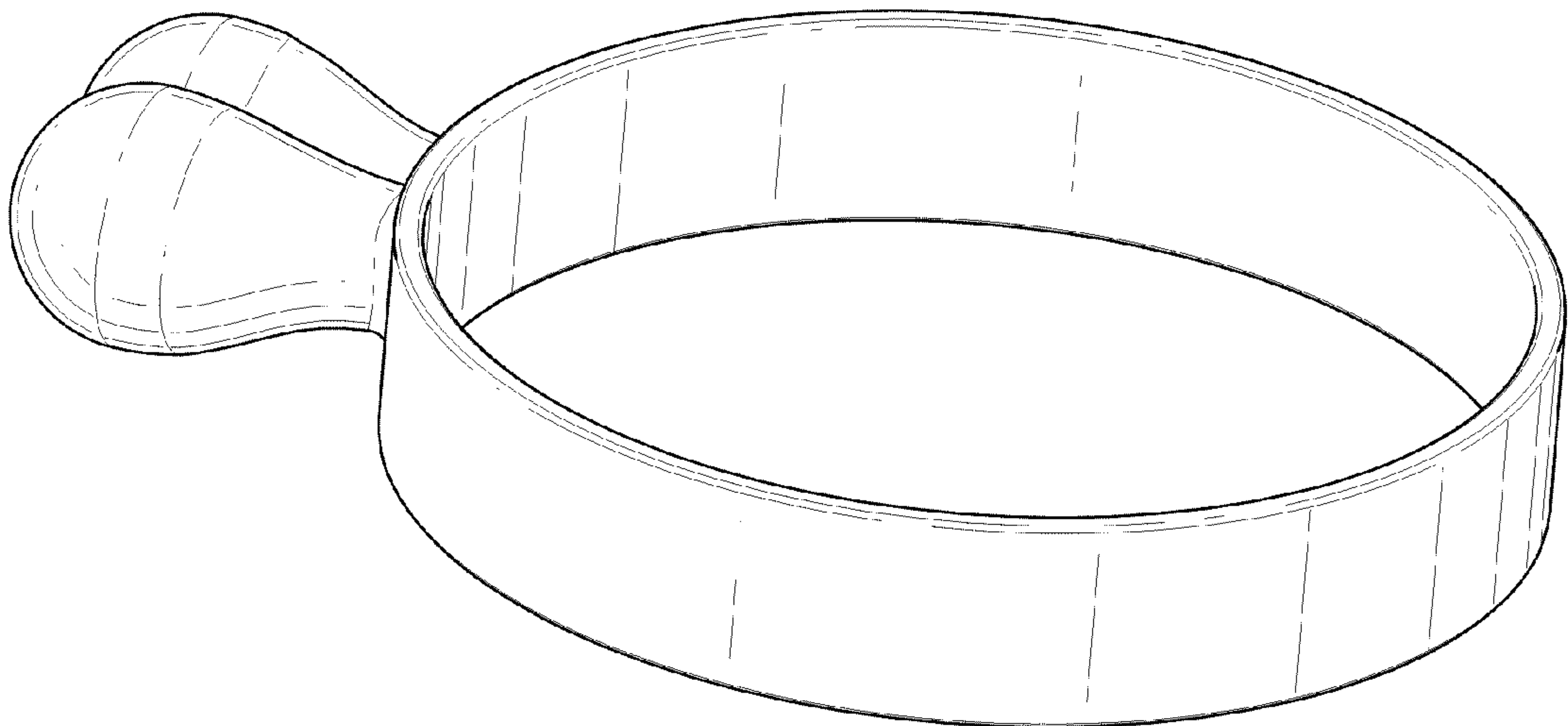
FIG. 1 is a perspective view of an awareness bracelet according to the present invention;  
FIG. 2 is a second perspective view of an awareness bracelet according to the present invention;  
FIG. 3 is a top view of an awareness bracelet according to the present invention;  
FIG. 4 is a bottom view of an awareness bracelet according to the present invention;  
FIG. 5 is a side view of an awareness bracelet according to the present invention;  
FIG. 6 is a second side view of an awareness bracelet according to the present invention;  
FIG. 7 is a front view of an awareness bracelet according to the present invention; and,  
FIG. 8 is a back view of an awareness bracelet according to the present invention.

**1 Claim, 4 Drawing Sheets**

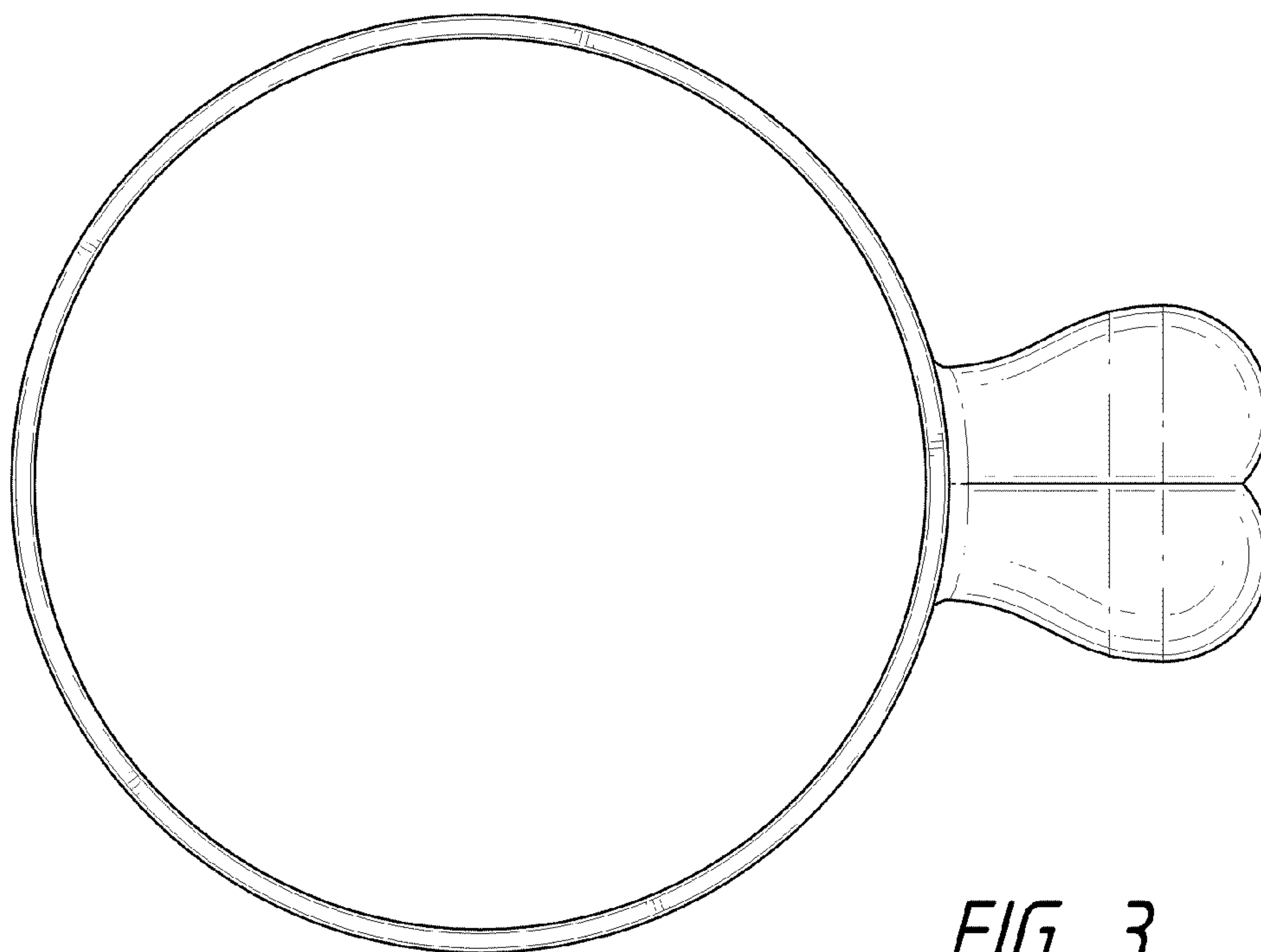




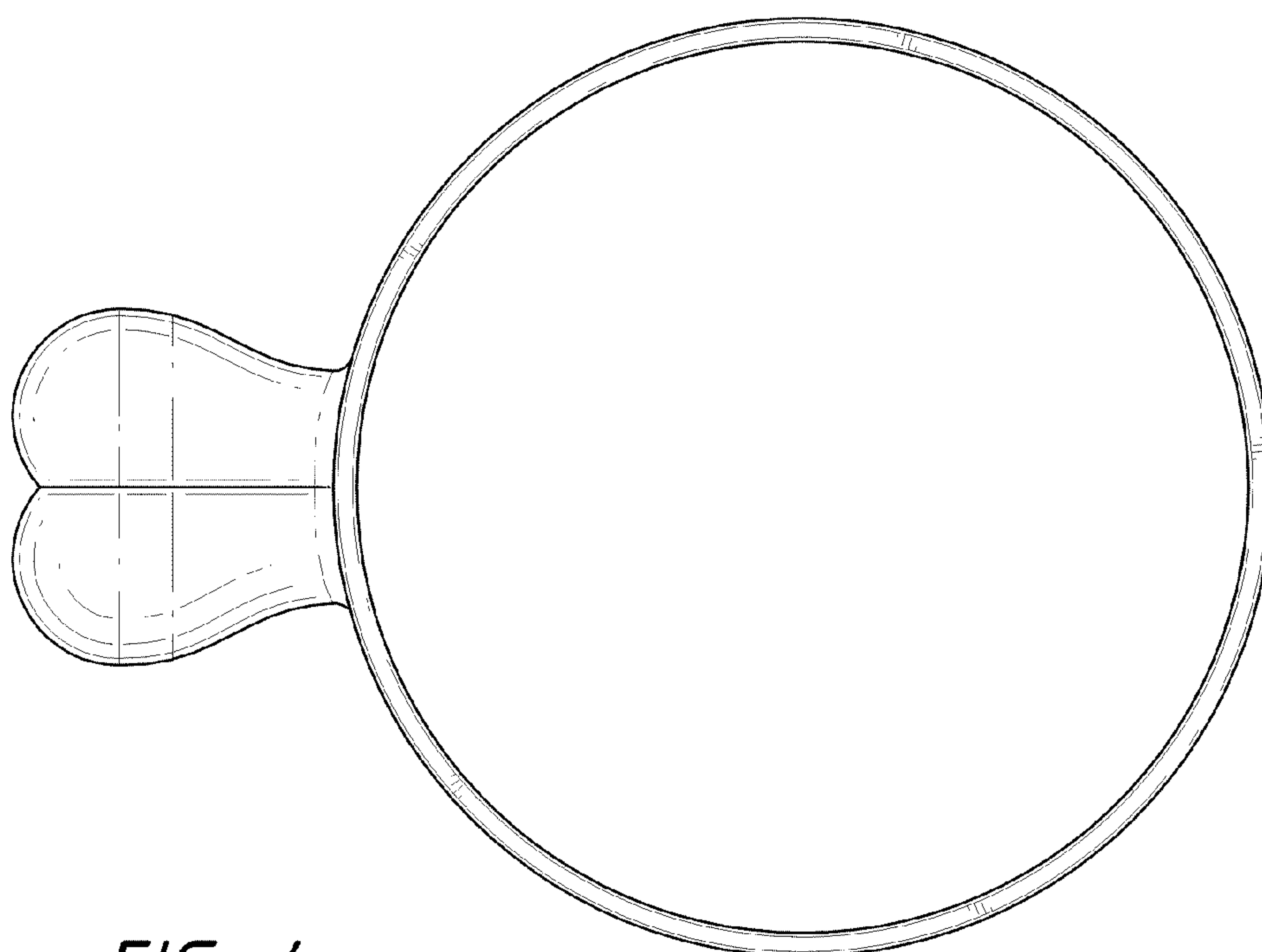
*FIG. 1*



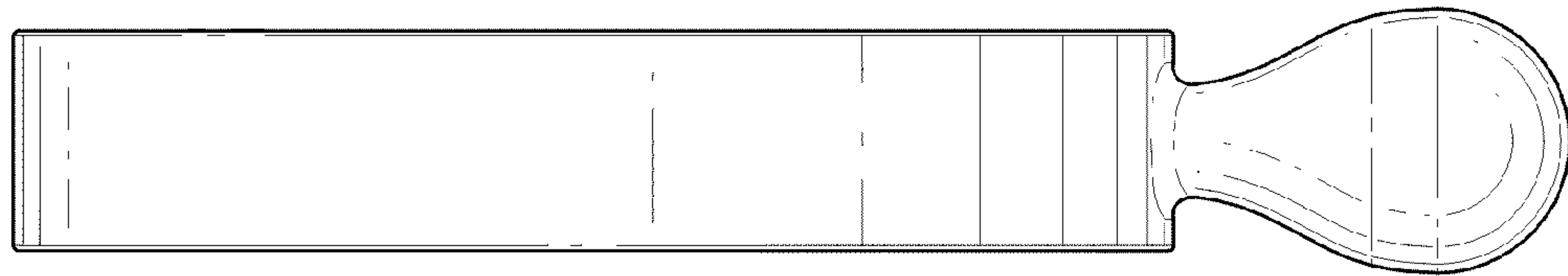
*FIG. 2*



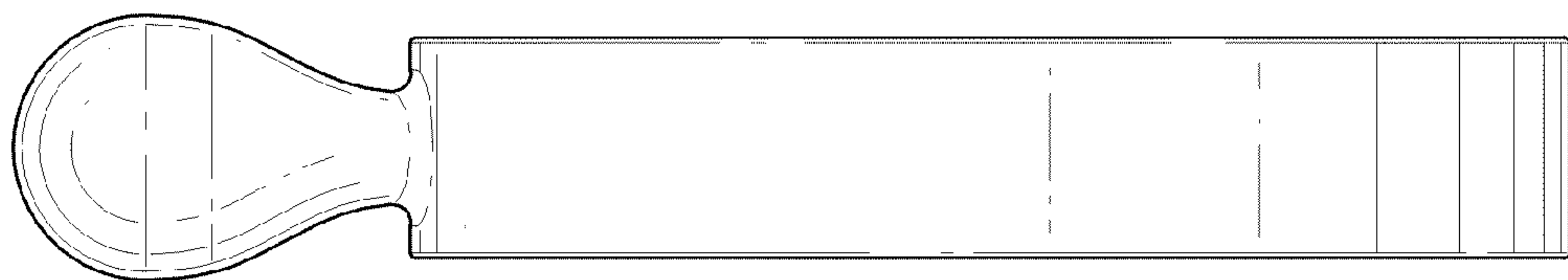
*FIG. 3*



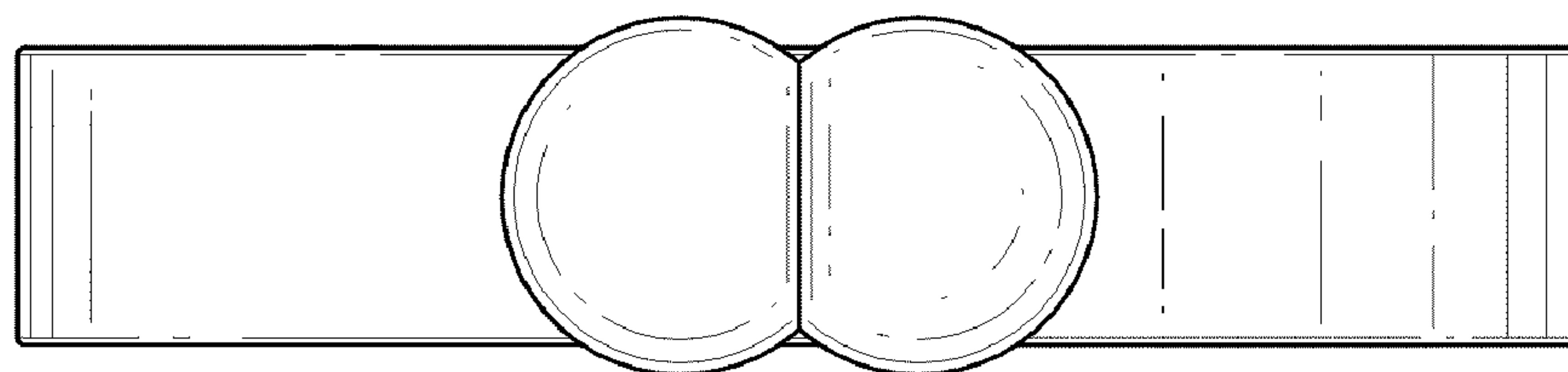
*FIG. 4*



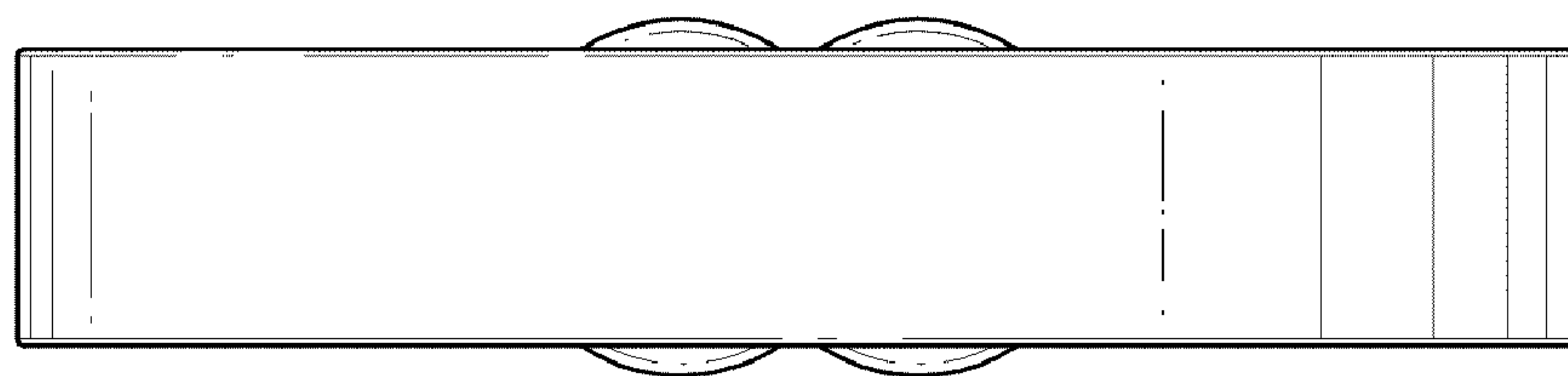
*FIG. 5*



*FIG. 6*



*FIG. 7*



*FIG. 8*