



US00D652335S

(12) **United States Design Patent**  
**Deyaf**

(10) **Patent No.:** **US D652,335 S**

(45) **Date of Patent:** **\*\* \*Jan. 17, 2012**

(54) **EMERGENCY VEHICLE LIGHT-BAR**

*Primary Examiner* — George D Kirschbaum

(75) Inventor: **Ahmed Deyaf**, Richardson, TX (US)

(73) Assignee: **SpeedTech Lights Inc.**, Buda, TX (US)

(\*) Notice: This patent is subject to a terminal disclaimer.

(\*\*) Term: **14 Years**

(21) Appl. No.: **29/344,322**

(22) Filed: **Sep. 28, 2009**

(51) **LOC (9) Cl.** ..... **10-05**

(52) **U.S. Cl.** ..... **D10/114.4**

(58) **Field of Classification Search** ..... D10/109,  
D10/111, 114, 104; D26/29-31, 70, 71,  
D26/72, 85, 73; D11/137; D21/650; 362/544,  
362/459, 466, 183, 431, 428, 294, 584; 280/87.042,  
280/601, 79.11; 340/321, 584, 815.45; 52/848,  
52/838; 315/159; 405/232; 335/202; 307/157  
See application file for complete search history.

(56) **References Cited**

U.S. PATENT DOCUMENTS

2,197,038	A *	4/1940	Glocksine et al.	.....	362/485
D267,818	S *	2/1983	Lynn et al.	.....	D26/35
D284,557	S *	7/1986	Ferenc	.....	D10/114
D320,363	S *	10/1991	Lyons	.....	D10/114
D410,292	S *	5/1999	Mayle	.....	D26/28
D442,106	S *	5/2001	Stein et al.	.....	D10/114
D520,657	S *	5/2006	Hoshikawa et al.	.....	D26/31
D556,925	S *	12/2007	Lin	.....	D26/28

\* cited by examiner

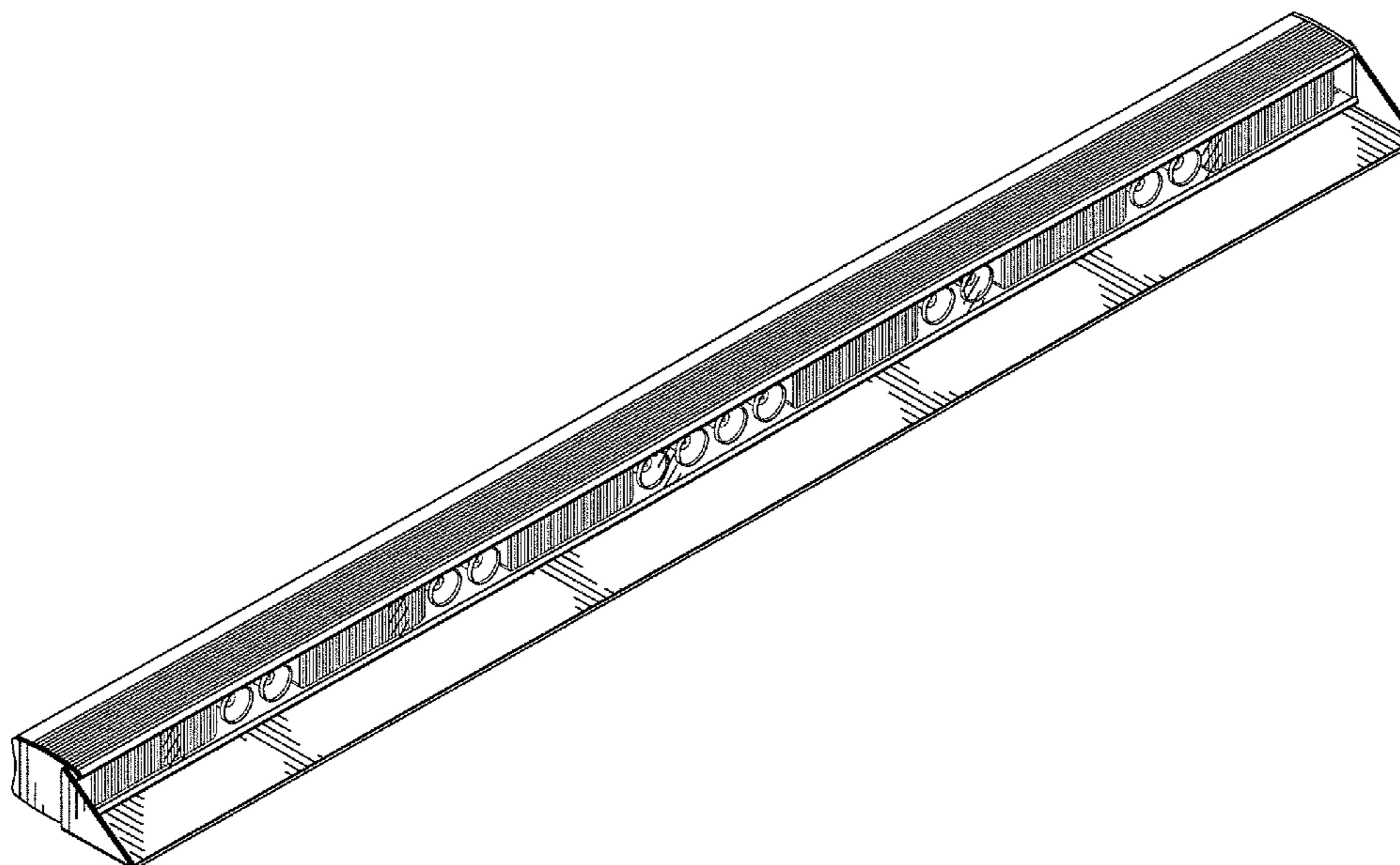
(57) **CLAIM**

The ornamental design for an emergency vehicle light-bar, as shown.

**DESCRIPTION**

FIG. 1 is a perspective view of an emergency vehicle light-bar showing my new design;  
 FIG. 2 is a front view thereof;  
 FIG. 3 is a back view thereof;  
 FIG. 4 is a right side view thereof;  
 FIG. 5 is a left side view thereof;  
 FIG. 6 is a top view thereof;  
 FIG. 7 is a bottom view thereof;  
 FIG. 8 is a perspective view of a second embodiment emergency vehicle light-bar thereof;  
 FIG. 9 is a front view of the housing of the light-bar thereof;  
 FIG. 10 is a back view of the housing of the light-bar thereof;  
 FIG. 11 is a right side view of the housing of the light-bar thereof;  
 FIG. 12 is a left side view of the housing of the light-bar thereof;  
 FIG. 13 is a top view of the housing of the light-bar thereof;  
 and,  
 FIG. 14 is a bottom view of the housing of the light-bar thereof.  
 The broken lines depict unclaimed environmental subject matter.

**1 Claim, 6 Drawing Sheets**



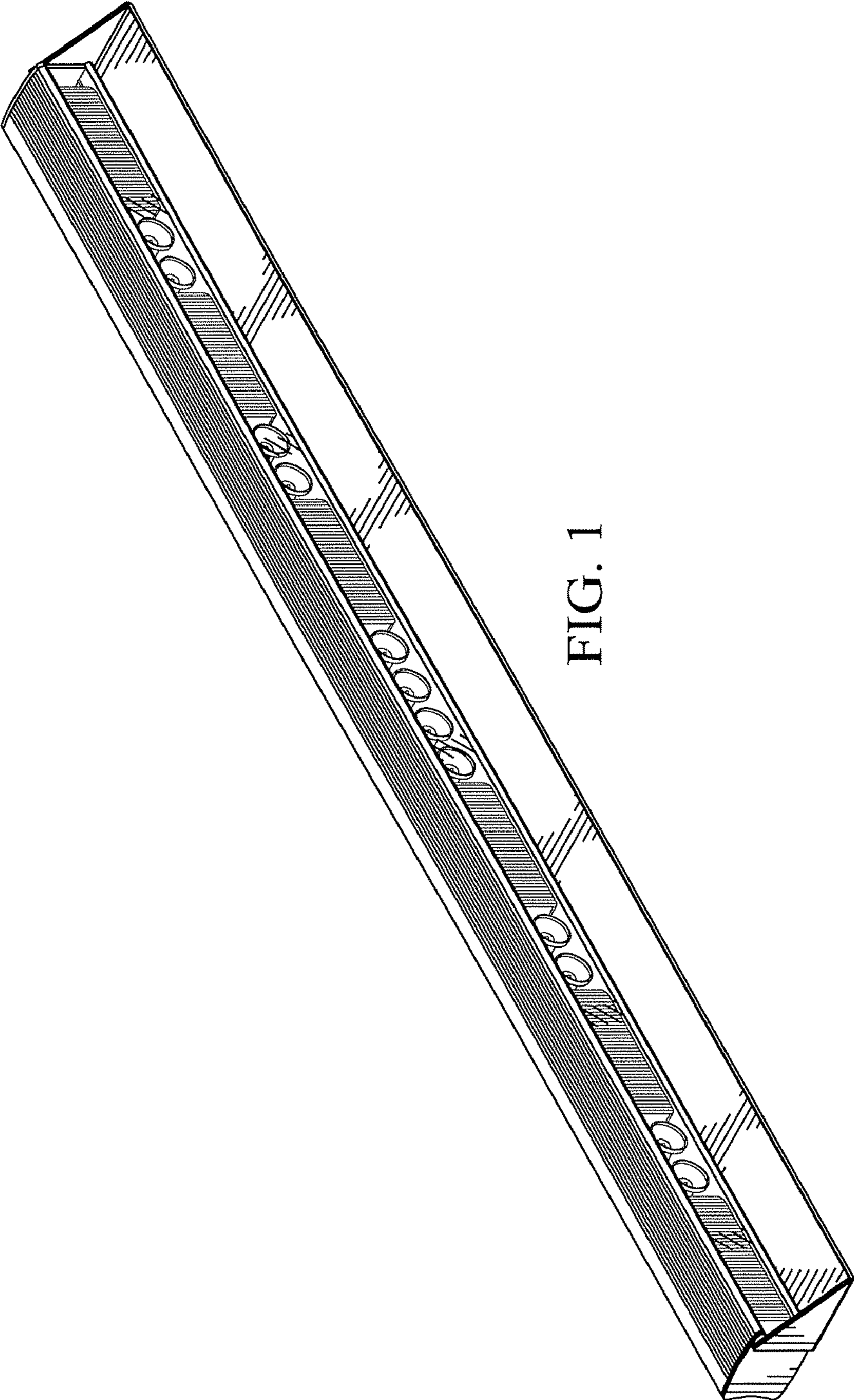


FIG. 1

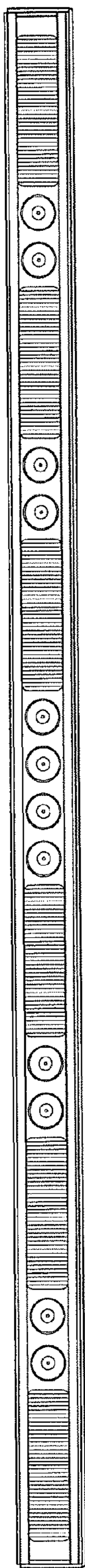


FIG. 2

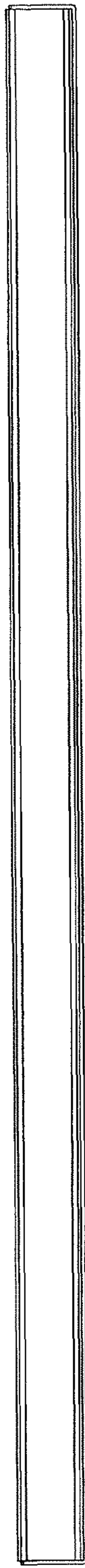


FIG. 3



FIG. 4

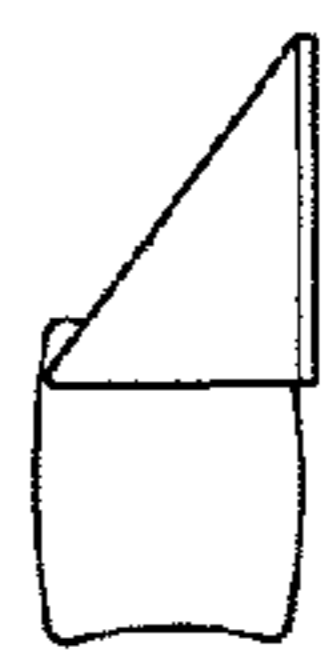


FIG. 5



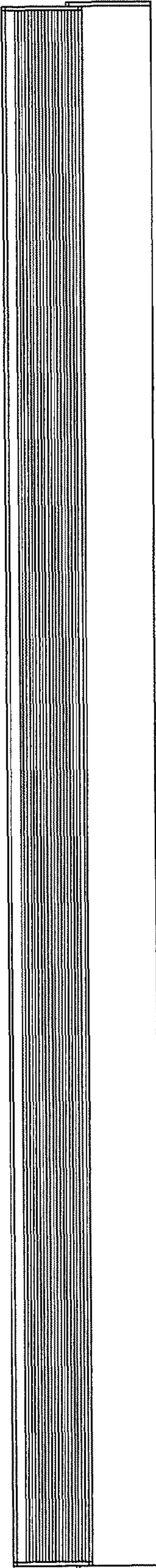


FIG. 6

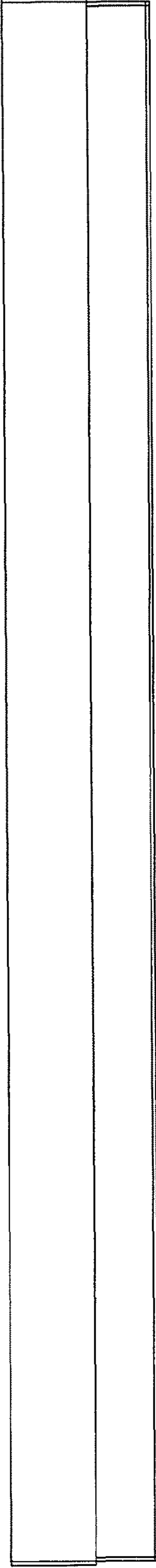


FIG. 7

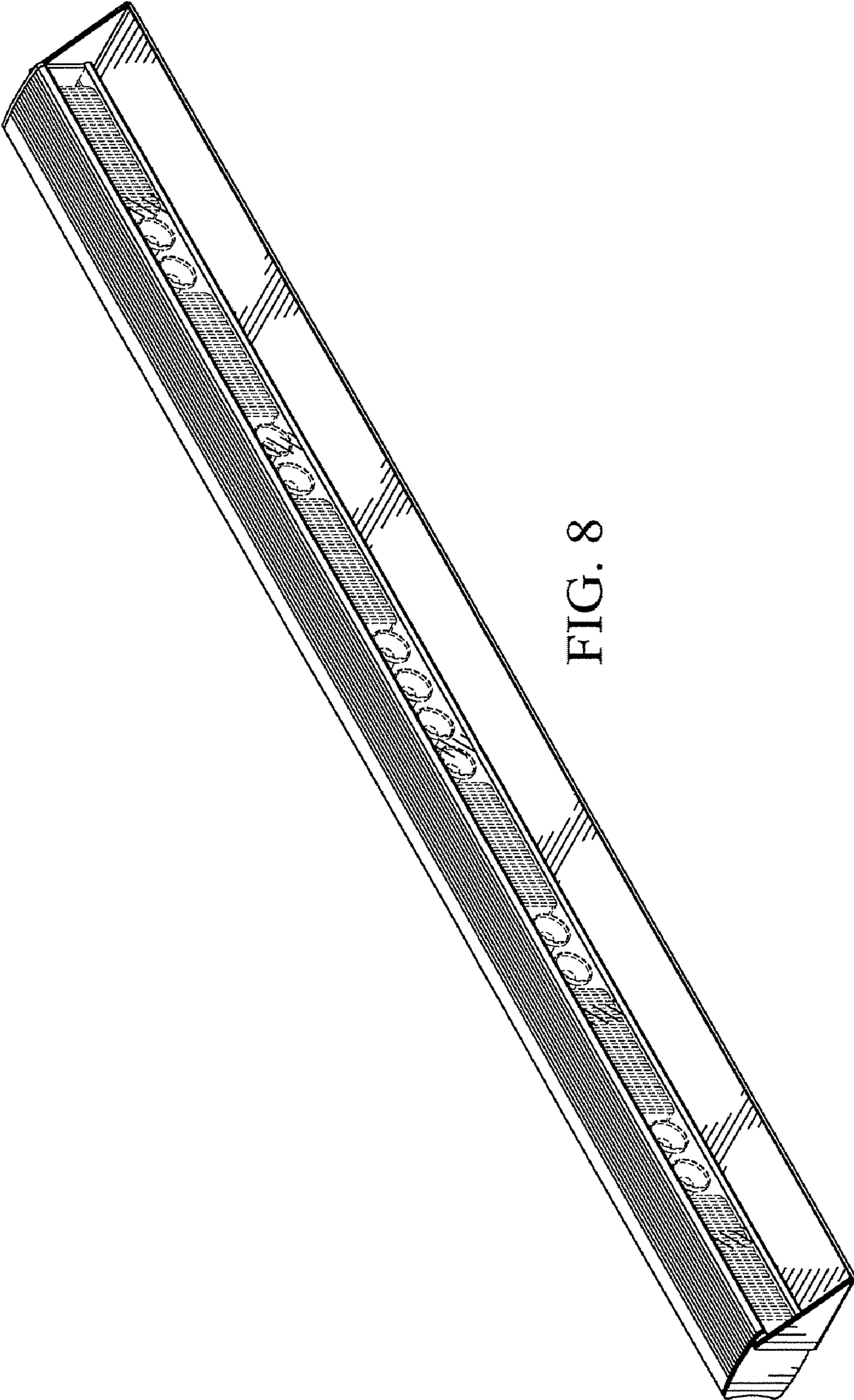


FIG. 8

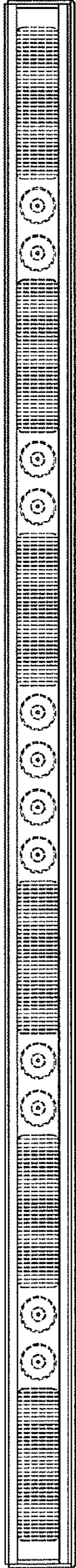


FIG. 9



FIG. 10



FIG. 11

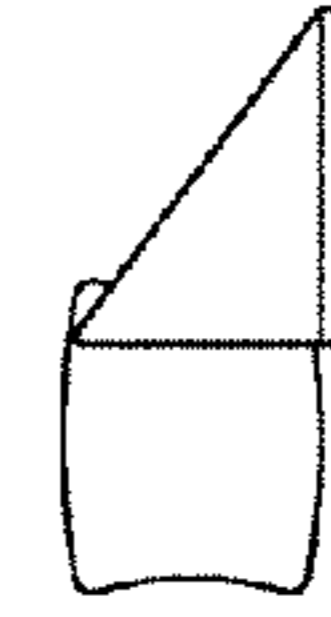


FIG. 12



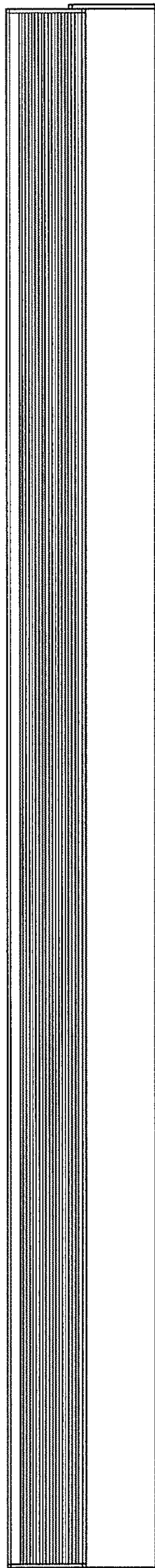


FIG. 13

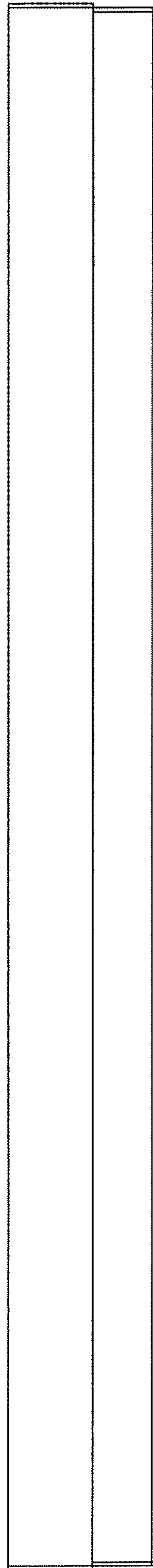


FIG. 14