



US00D652333S

(12) **United States Design Patent**
Bond et al.

(10) **Patent No.:** **US D652,333 S**
(45) **Date of Patent:** **** Jan. 17, 2012**

(54) **MOLDED FINGERPRINT SENSOR STRUCTURE**

(75) Inventors: **Robert Henry Bond**, Plano, TX (US);
Alan Kramer, Berkeley, CA (US);
Giovanni Gozzini, Berkeley, CA (US)

(73) Assignee: **Authentec, Inc.**, Melbourne, FL (US)

(**) Term: **14 Years**

(21) Appl. No.: **29/357,086**

(22) Filed: **Mar. 5, 2010**

(51) **LOC (9) Cl.** **10-05**

(52) **U.S. Cl.** **D10/104.1**

(58) **Field of Classification Search** D10/104.1,
D10/106.6; D14/140.5, 384; 235/382; 382/124
See application file for complete search history.

(56) **References Cited**

U.S. PATENT DOCUMENTS

D328,594	S	*	8/1992	Kobayashi	D14/424
D346,340	S	*	4/1994	Cayton et al.	D10/106.1
D348,445	S	*	7/1994	Fishbine et al.	D14/384
D351,144	S	*	10/1994	Fishbine et al.	D14/384
D362,252	S	*	9/1995	Ansell et al.	D14/144
D367,270	S	*	2/1996	Levering	D14/384
5,844,287	A		12/1998	Hassan et al.		
5,864,296	A		1/1999	Upton		
5,942,761	A		8/1999	Tuli		
6,097,035	A		8/2000	Belongie et al.		
6,272,562	B1	*	8/2001	Scott et al.	710/16
6,687,391	B1	*	2/2004	Scott et al.	382/126
6,980,286	B1		12/2005	Feng		
D516,069	S	*	2/2006	Kuroda et al.	D14/384
7,147,153	B2		12/2006	Rowe et al.		

OTHER PUBLICATIONS

Rowe, Robert K., "A Multispectral Sensor for Fingerprint Spoof Detection", *Sensors*, vol. 22, No. 1, (Jan. 2005), pp. 2-4.
<http://www.validityinc.com/post.aspx?id=147>, "Validity Launches the First Customizable LED Fingerprint Sensor", Jan. 8, 2009.
www.boschman.nl/technology/technology.htm.

* cited by examiner

Primary Examiner — George D Kirschbaum

(74) *Attorney, Agent, or Firm* — Allen, Dyer, Doppelt, Milbrath & Gilchrist, P.A.

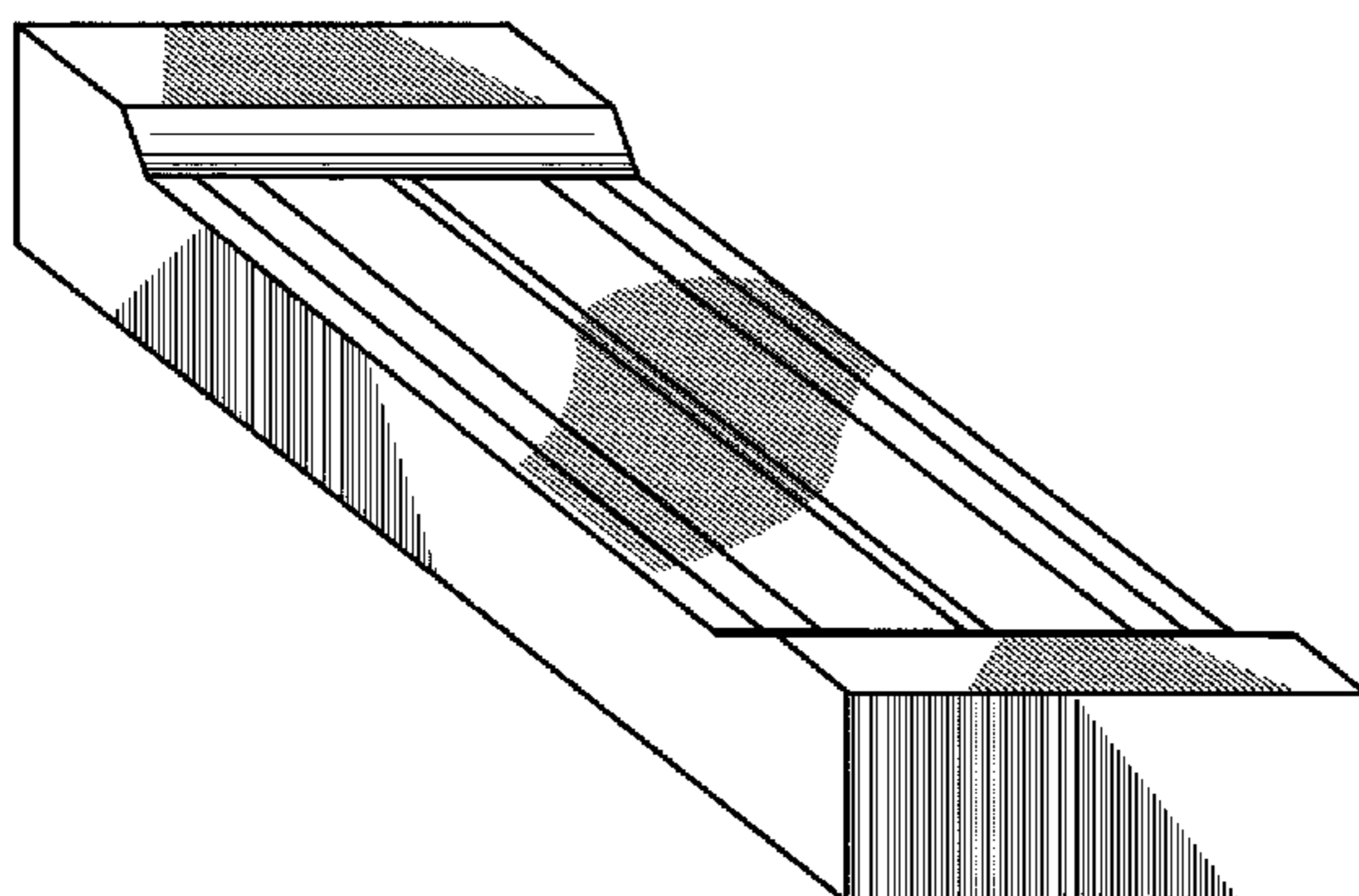
(57) **CLAIM**

We claim the ornamental design of a molded fingerprint sensor structure, as shown and described.

DESCRIPTION

FIG. 1 is a perspective view of a fingerprint sensor chip with integrally molded bezels;
FIG. 2 is a front plan view of a fingerprint sensor chip with integrally molded bezels;
FIG. 3 is a left side view of a fingerprint sensor chip with integrally molded bezels;
FIG. 4 is a right side view of a fingerprint sensor chip with integrally molded bezels;
FIG. 5 is a bottom view of a fingerprint sensor chip with integrally molded bezels;
FIG. 6 is a top view of a fingerprint sensor chip with integrally molded bezels; and,
FIG. 7 is a back plan view of a fingerprint sensor chip with integrally molded bezels.

1 Claim, 3 Drawing Sheets



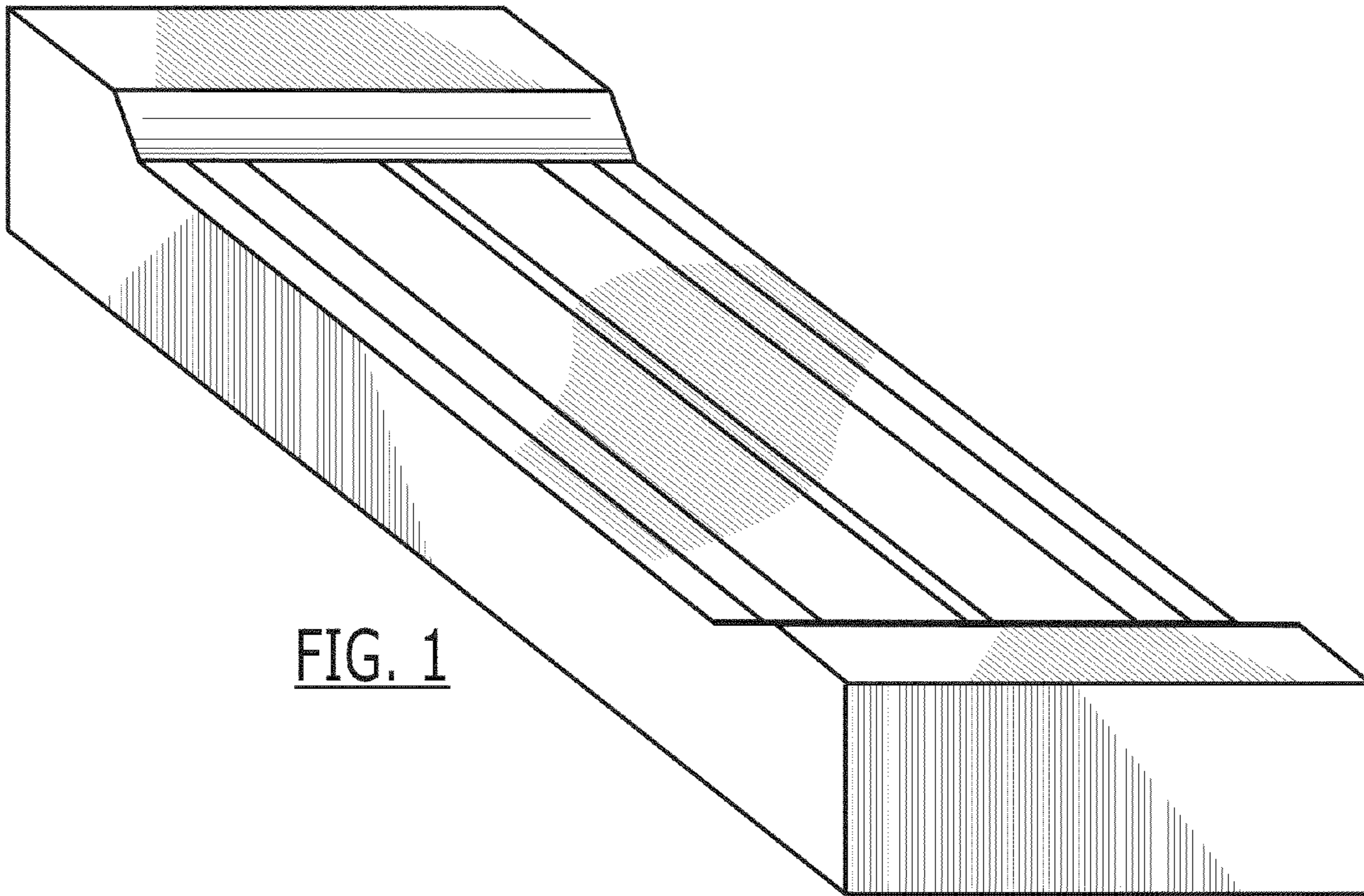


FIG. 1

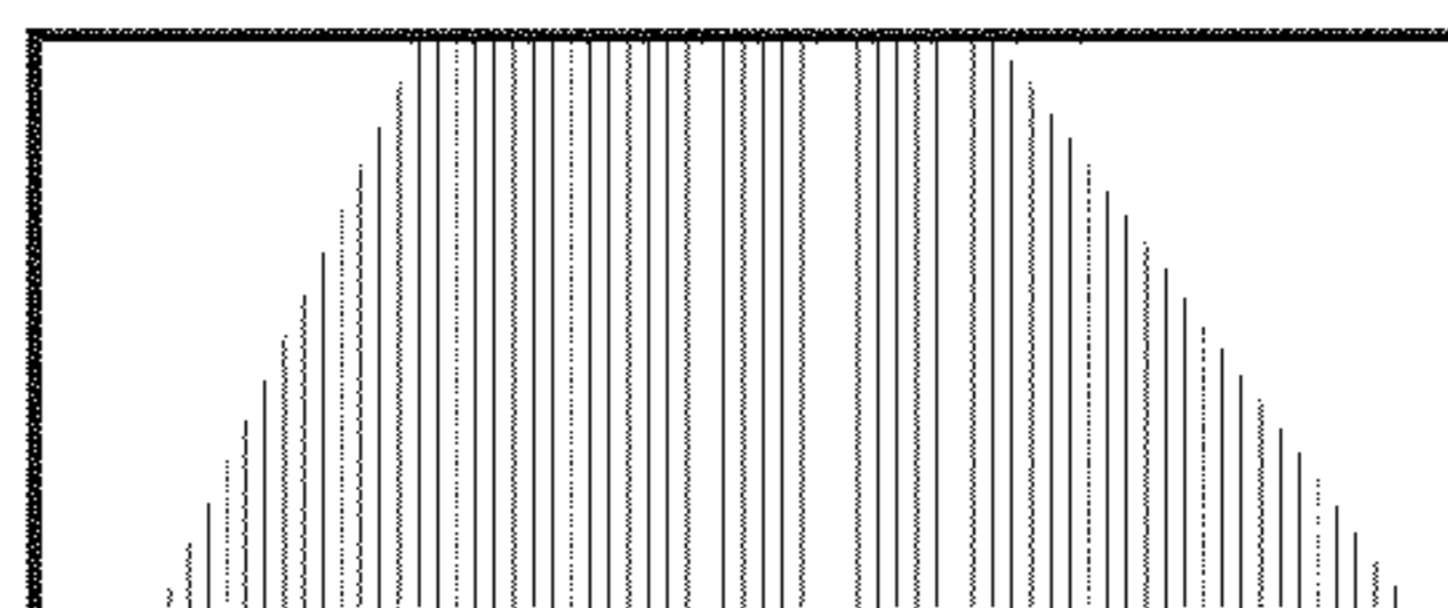


FIG. 2

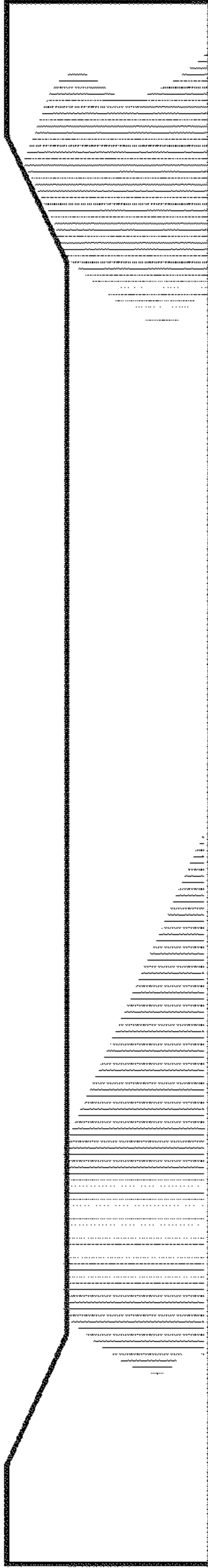


FIG. 3

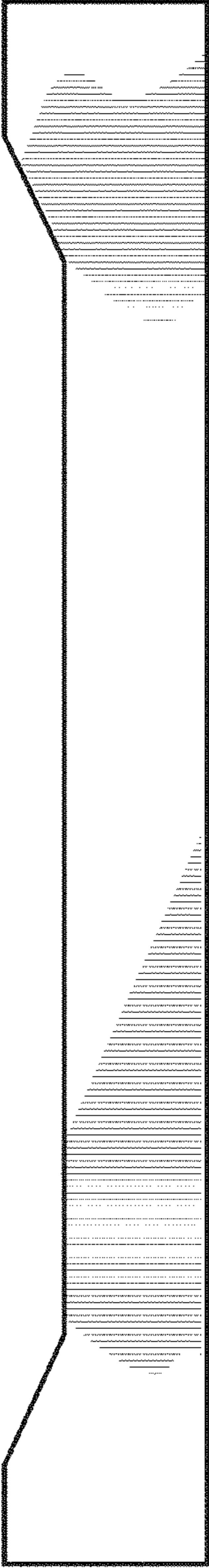


FIG. 4

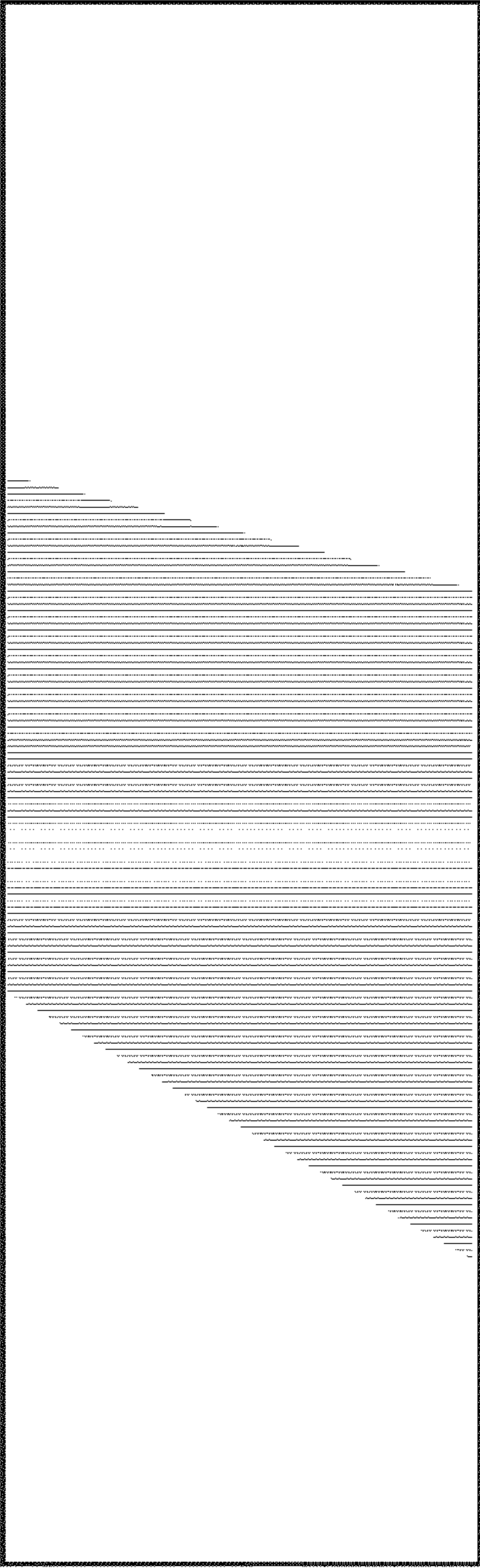


FIG. 5

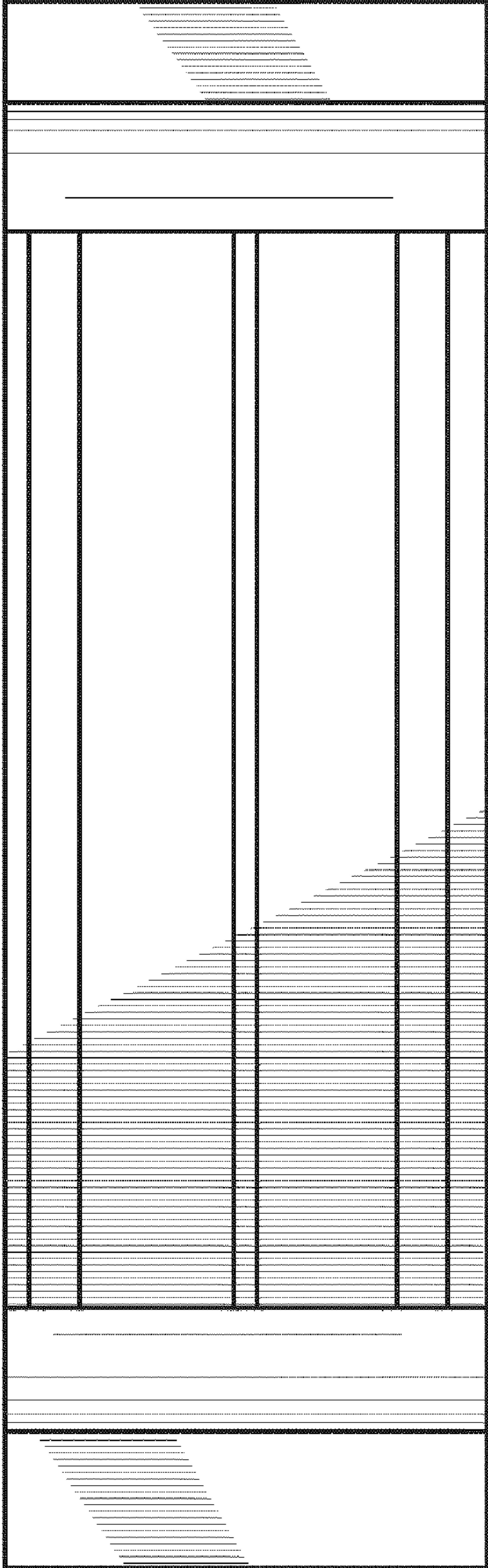


FIG. 6

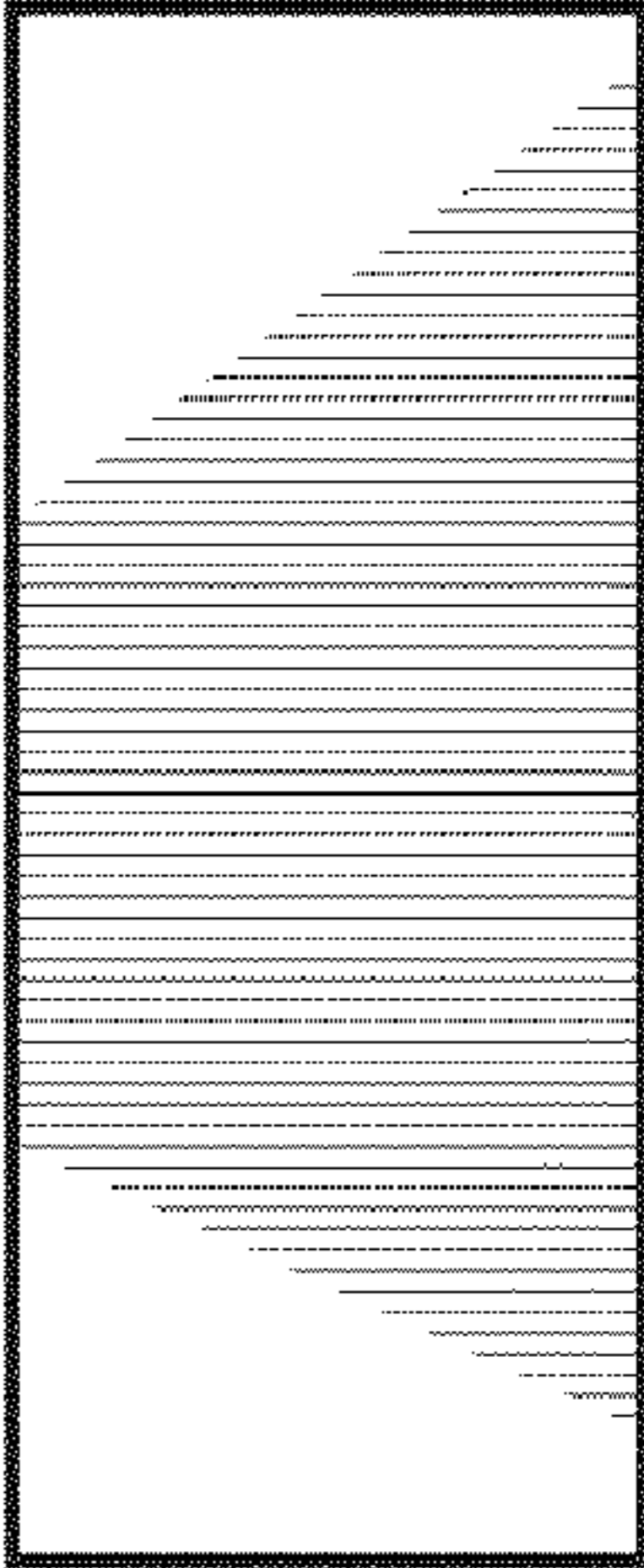


FIG. 7