



US00D652330S

(12) **United States Design Patent**  
**Arnold et al.**

(10) **Patent No.:** **US D652,330 S**  
(45) **Date of Patent:** **\*\* Jan. 17, 2012**

(54) **METAL DETECTOR**

(75) Inventors: **Aaron Anthony Arnold**, Morphetville (AU); **Andrew David Salisbury**, Blackwood (AU); **Skye Marie McQuillen**, Echunga (AU)

(73) Assignee: **Minelab Electronics Pty Limited**, Torrensville (AU)

(\*\*) Term: **14 Years**

(21) Appl. No.: **29/366,860**

(22) Filed: **Jul. 30, 2010**

(51) **LOC (9) Cl.** ..... **10-04**

(52) **U.S. Cl.** ..... **D10/47**

(58) **Field of Classification Search** ..... D10/46, D10/47, 70; 324/67, 202, 326-329, 233, 324/207.2, 226, 345, 242, 243, 244, 253, 324/225, 228, 252, 248, 301; 340/368, 933; 702/38; 172/371, 438

See application file for complete search history.

(56) **References Cited**

**U.S. PATENT DOCUMENTS**

4,890,064	A	12/1989	Candy	
4,942,360	A	7/1990	Candy	
5,506,506	A	4/1996	Candy	
5,537,041	A	7/1996	Candy	
5,576,624	A	11/1996	Candy	
D410,399	S *	6/1999	De Torfino	..... D10/104.1
6,266,006	B1 *	7/2001	Audet	..... 324/326
6,636,044	B2	10/2003	Candy	
6,653,838	B2	11/2003	Candy	
6,686,742	B2	2/2004	Candy	
6,690,169	B2	2/2004	Candy	
D497,559	S *	10/2004	Johnson	..... D10/47
D513,706	S *	1/2006	Johnson	..... D10/47
D528,909	S *	9/2006	Stillerud	..... D9/560
7,310,586	B2	12/2007	Stamatescu et al.	
7,432,715	B2	10/2008	Stamatescu	
D583,261	S *	12/2008	Johnson et al.	..... D10/47
7,474,102	B2	1/2009	Candy	
7,579,839	B2	8/2009	Candy	
7,652,477	B2	1/2010	Candy	
D614,981	S *	5/2010	Junes	..... D10/70
7,791,345	B2	9/2010	Candy	

2001/0007420	A1 *	7/2001	Bijawat et al.	..... 324/67
2002/0135347	A1 *	9/2002	Morgan et al.	..... 324/67
2007/0188158	A1 *	8/2007	Skultety-Betz	..... 324/67
2008/0042657	A1 *	2/2008	Radle et al.	..... 324/508
2008/0238403	A1 *	10/2008	Sanoner et al.	..... 324/67
2009/0315707	A1	12/2009	Candy	
2009/0318098	A1	12/2009	Stamatescu et al.	
2010/0019769	A1	1/2010	Candy	
2010/0026485	A1	2/2010	Candy	
2010/0141247	A1	6/2010	Candy	
2010/0148960	A1	6/2010	Candy	
2010/0186504	A1 *	7/2010	Cipriano et al.	..... 324/67
2010/0283467	A1	11/2010	Candy	

**OTHER PUBLICATIONS**

U.S. Appl. No. 12/732,615, filed Mar. 26, 2010.

\* cited by examiner

*Primary Examiner* — Antoine D Davis

(74) *Attorney, Agent, or Firm* — Beyer Law Group LLP

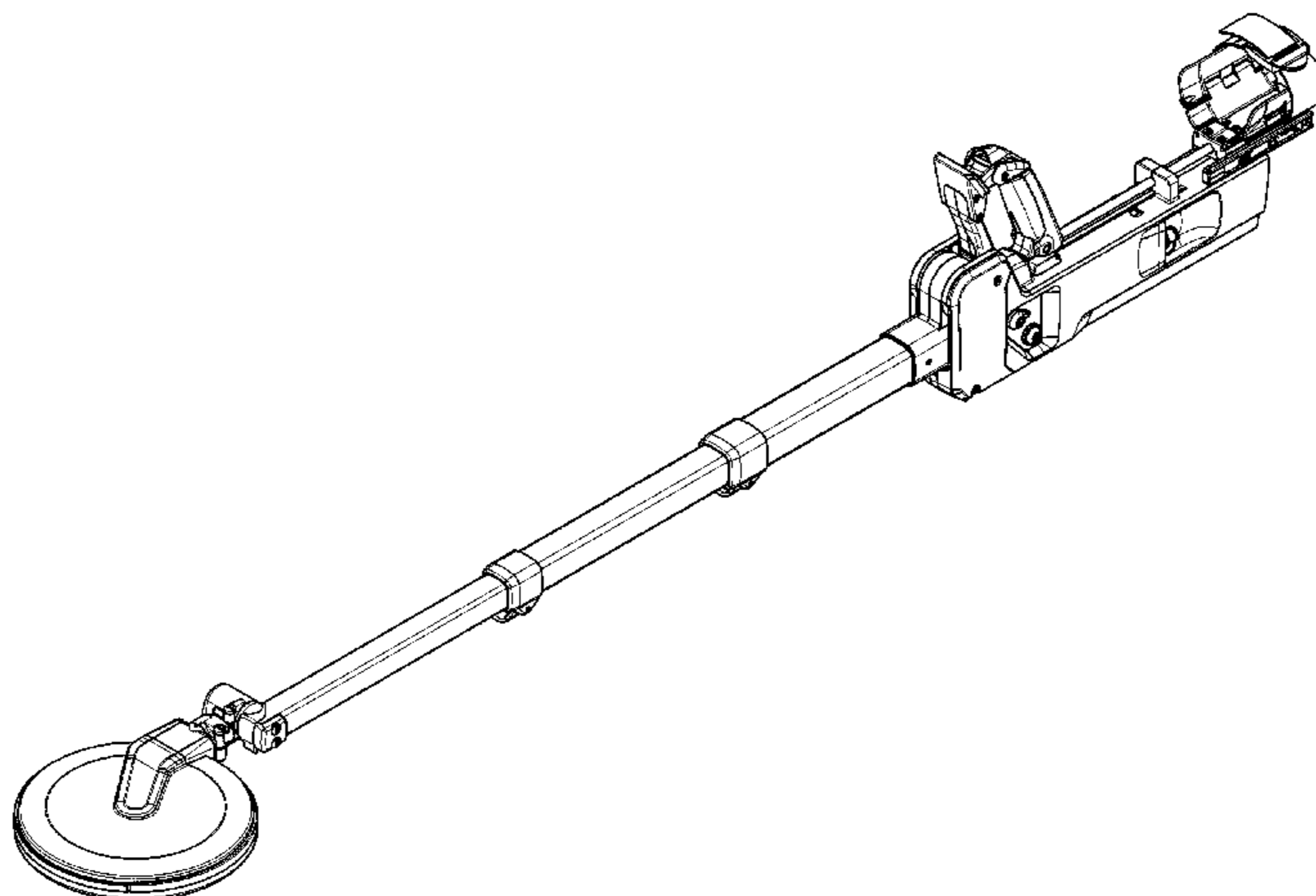
(57) **CLAIM**

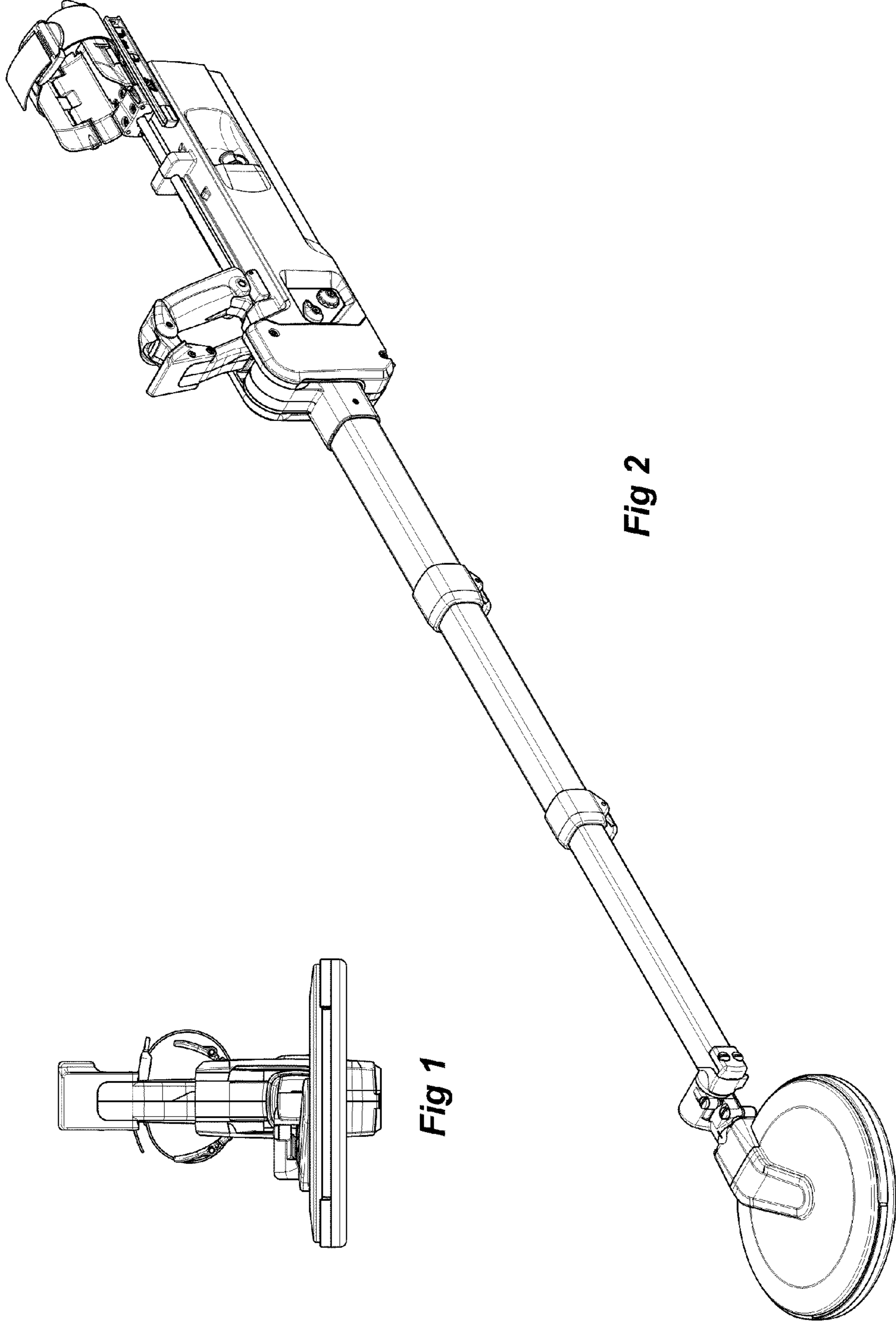
We claim the ornamental design for a metal detector, as shown and described.

**DESCRIPTION**

FIG. 1 is a front elevational view of the metal detector, showing the new, original, and ornamental design; FIG. 2 is a front perspective view thereof; FIG. 3 is a rear perspective view thereof; FIG. 4 is a rear elevational view thereof; FIG. 5 is a top view thereof; FIG. 6 is a side elevational view thereof; FIG. 7 is a side elevational view thereof; FIG. 8 is an underside view thereof; FIG. 9 is a front perspective view (compacted) thereof; FIG. 10 is a rear perspective view (compacted) thereof; FIG. 11 is a side elevational view (compacted) thereof; FIG. 12 is an underside view (compacted) thereof; FIG. 13 is a front elevational view (compacted) thereof; FIG. 14 is a side elevational view (compacted) thereof; FIG. 15 is a rear elevational view (compacted) thereof; and, FIG. 16 is a top view (compacted) thereof.

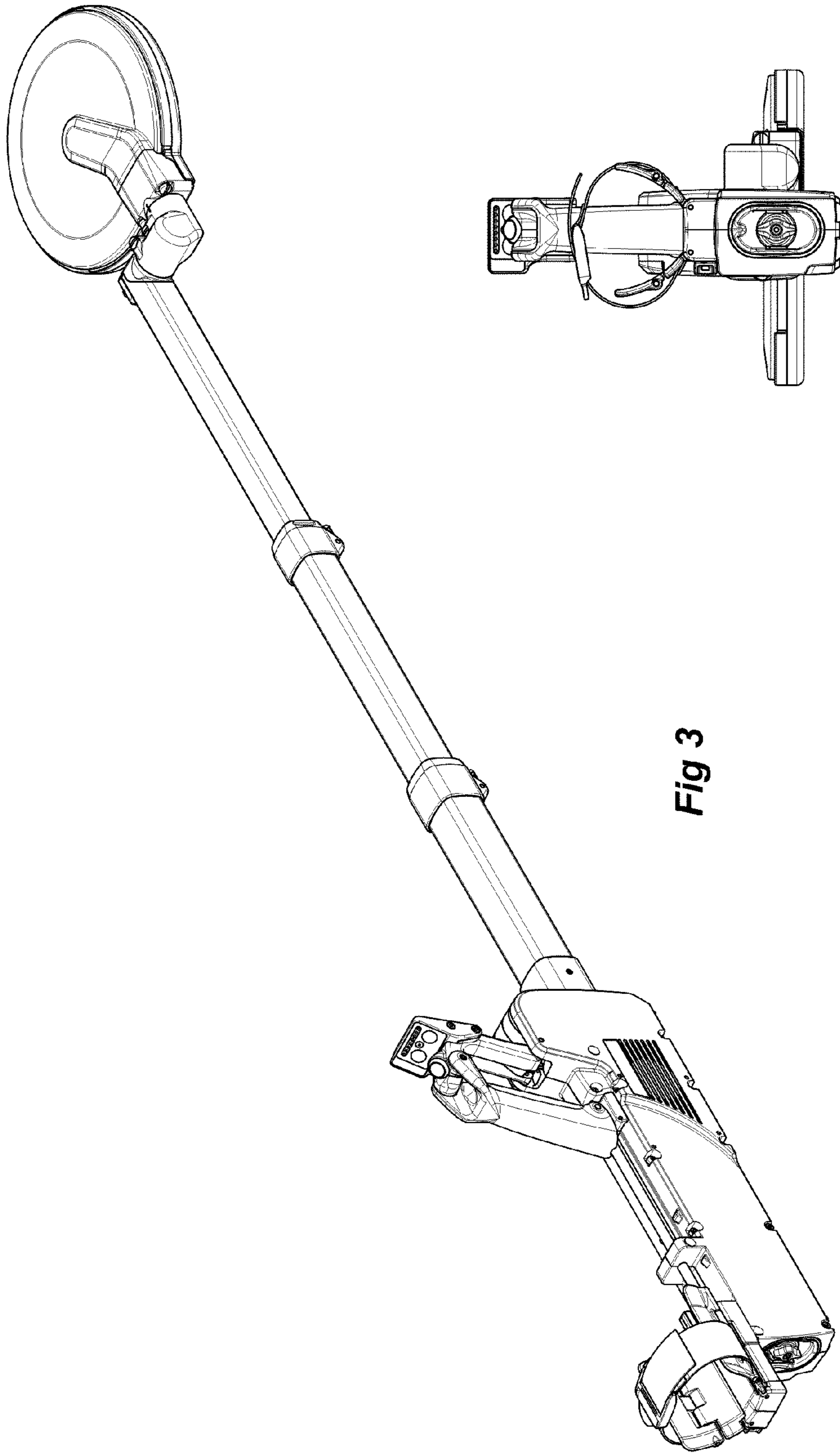
**1 Claim, 6 Drawing Sheets**



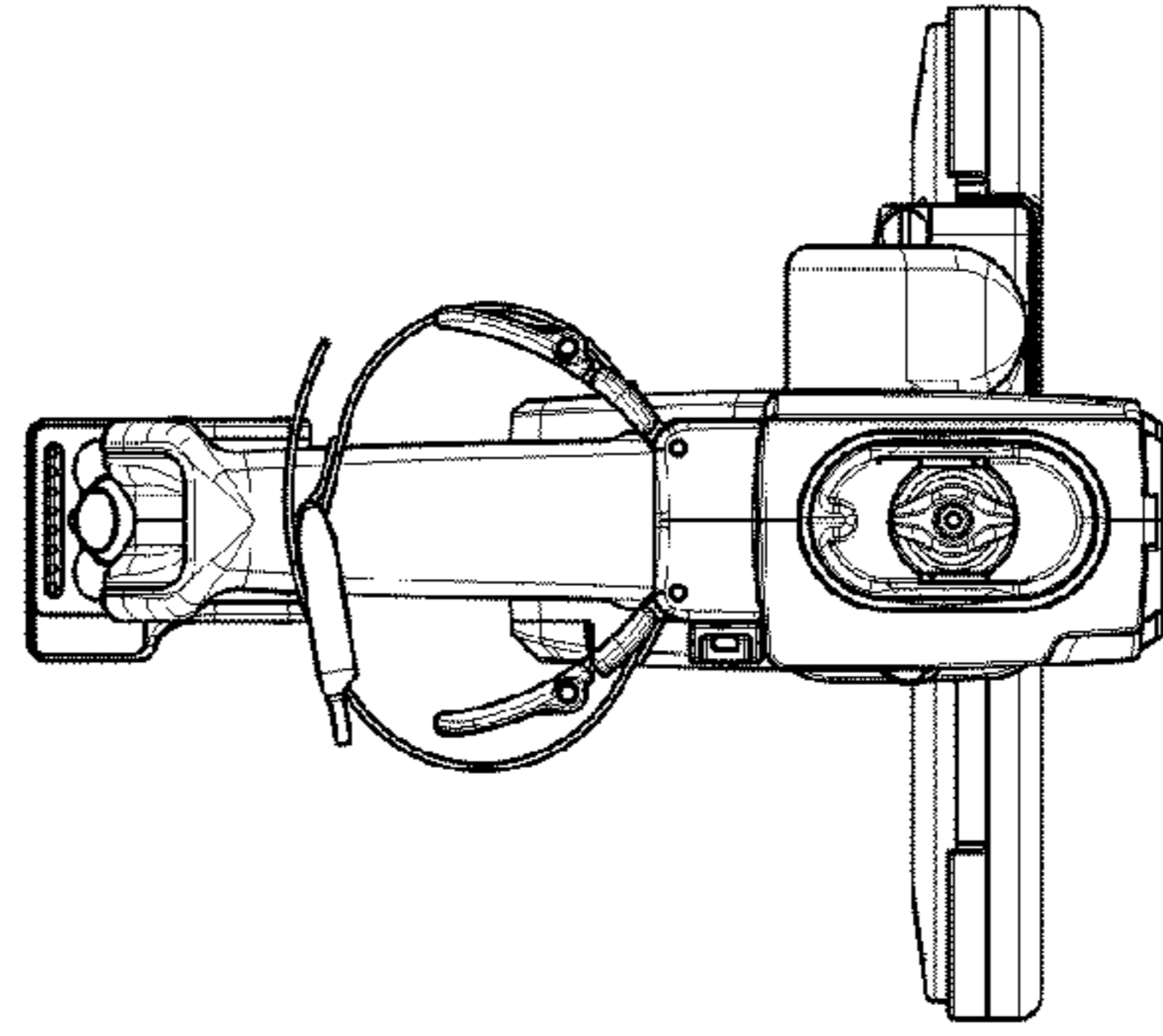


**Fig 1**

**Fig 2**

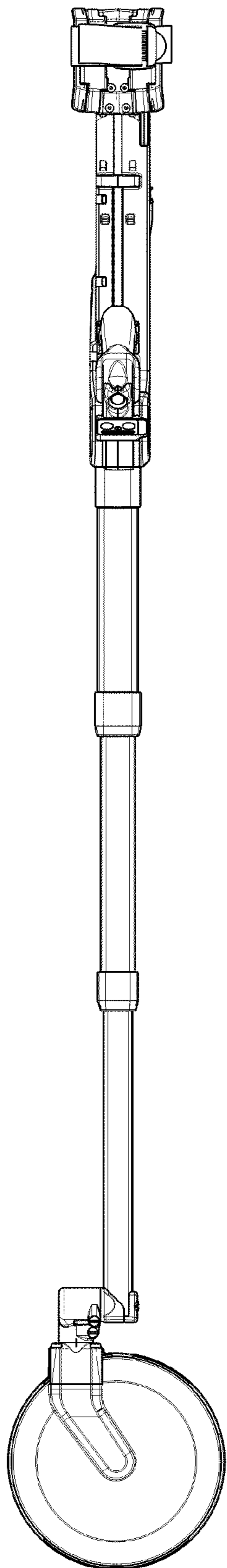


**Fig 3**

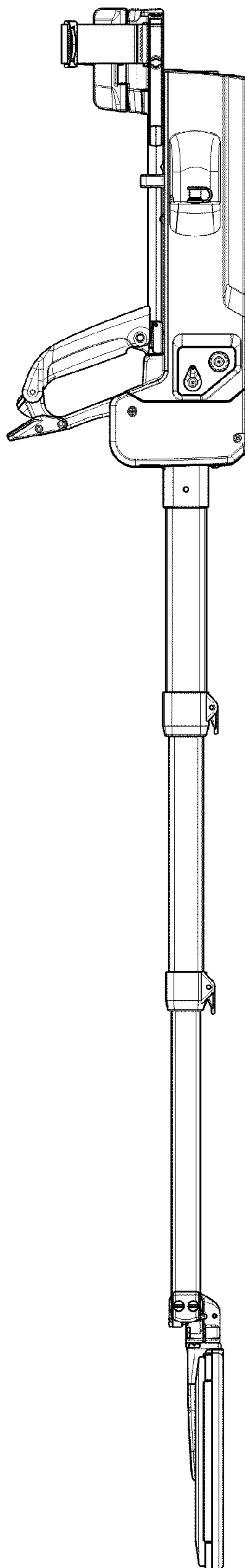


**Fig 4**

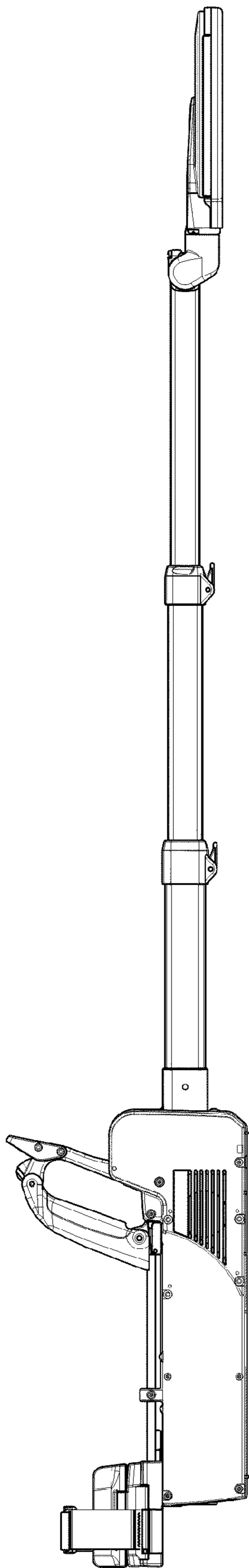




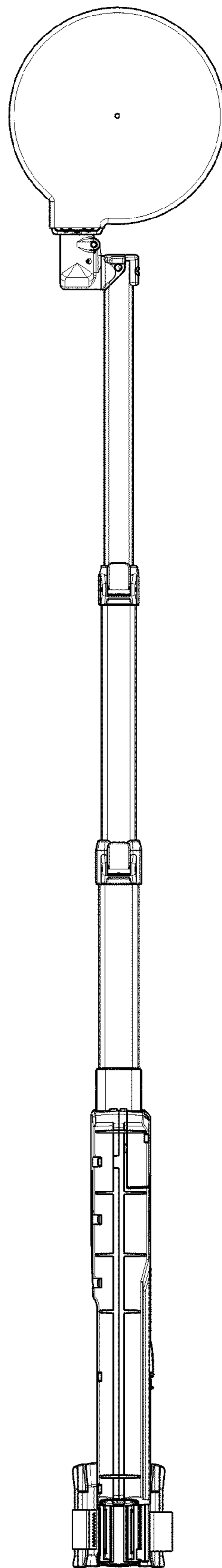
*Fig 5*



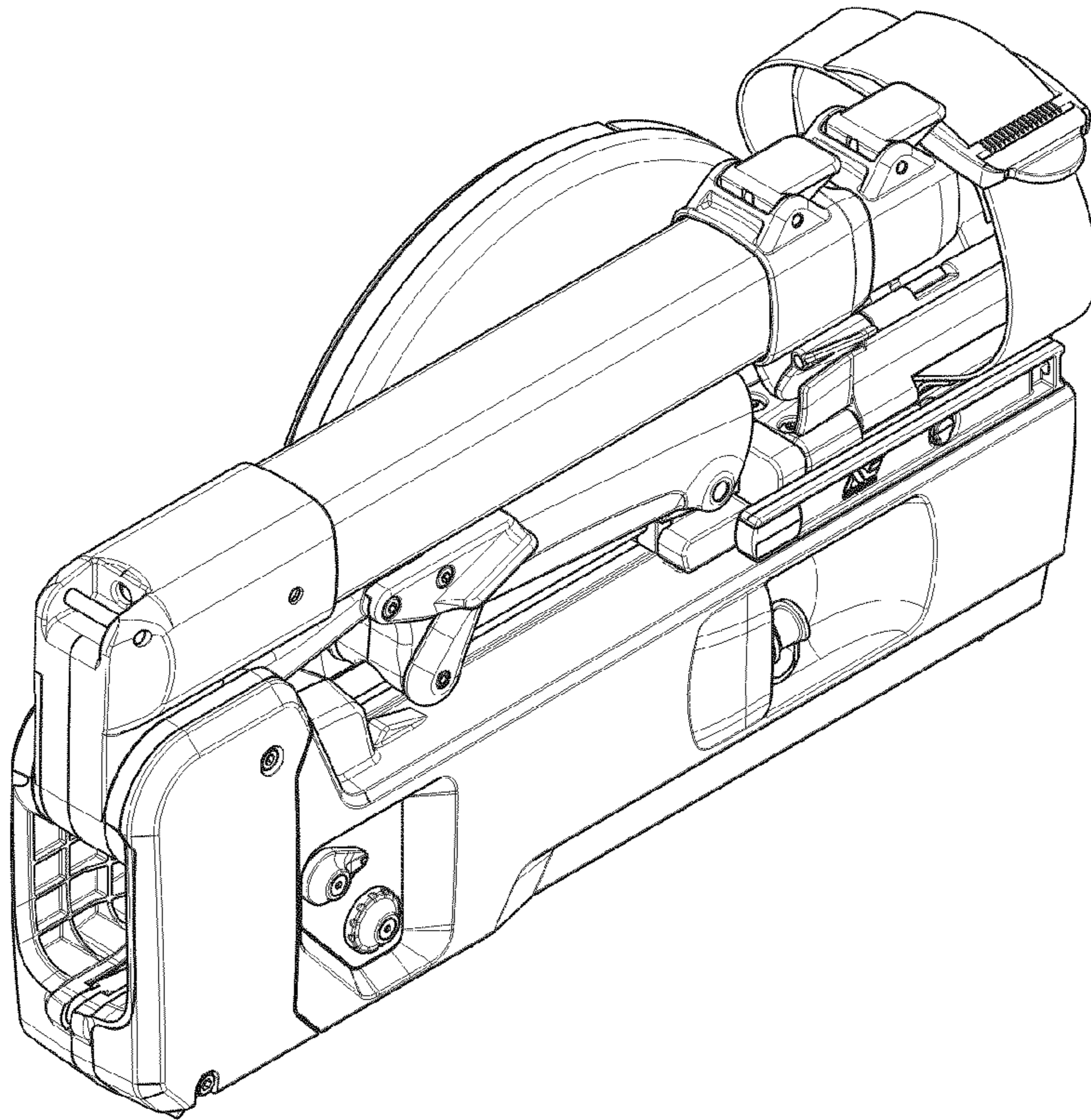
*Fig 6*



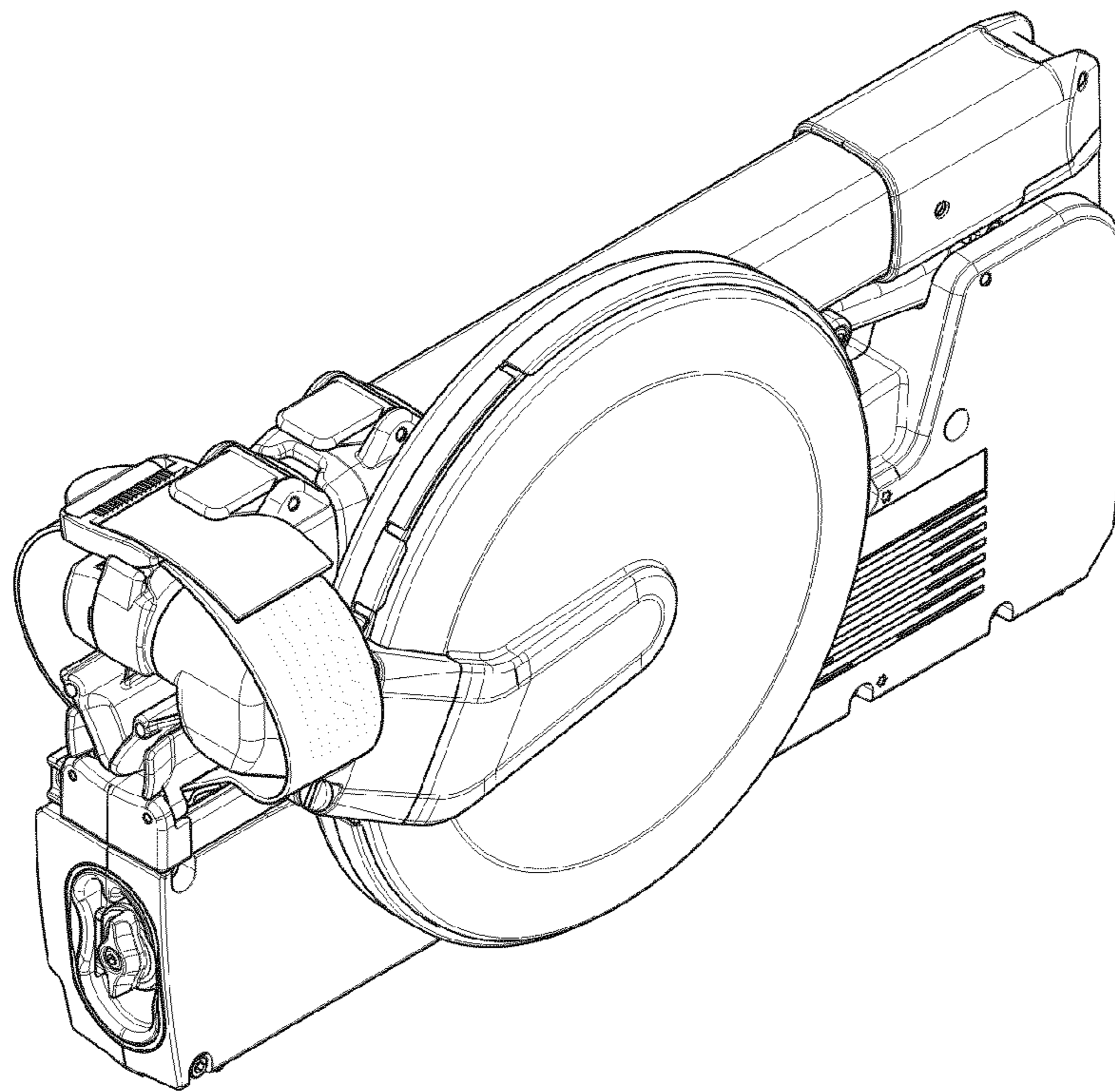
*Fig 7*



*Fig 8*

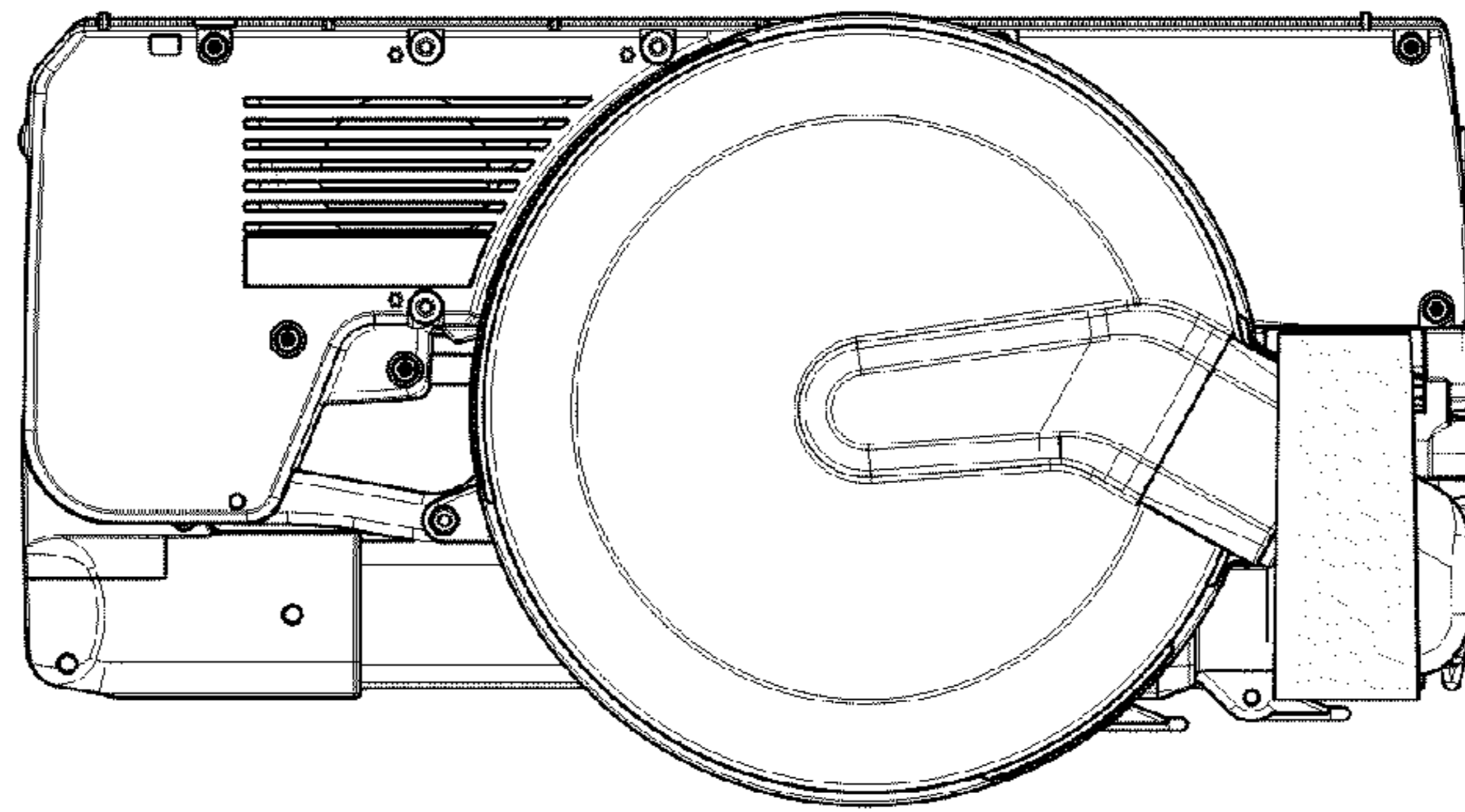


**Fig 9**

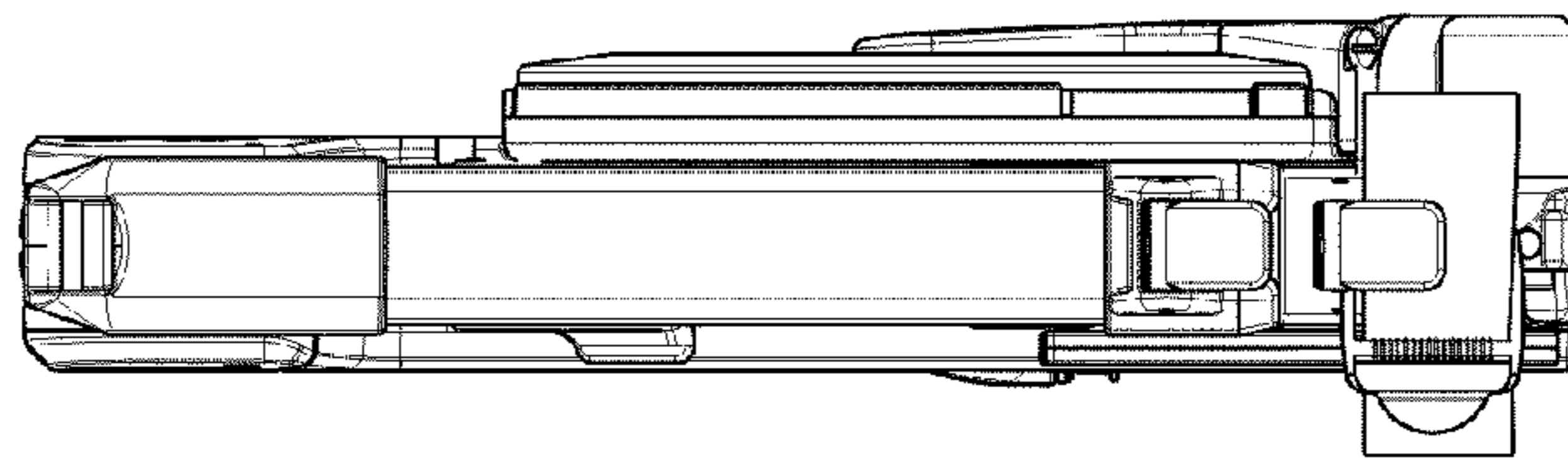


**Fig 10**

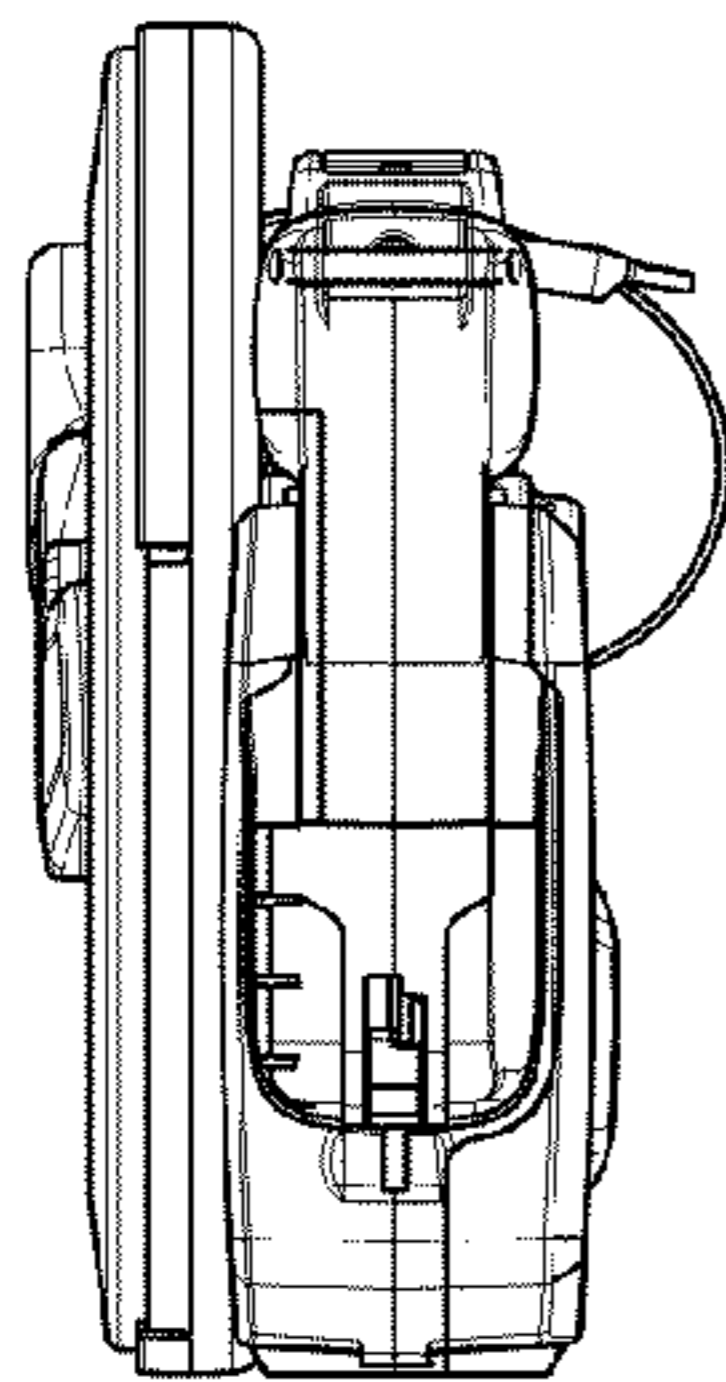




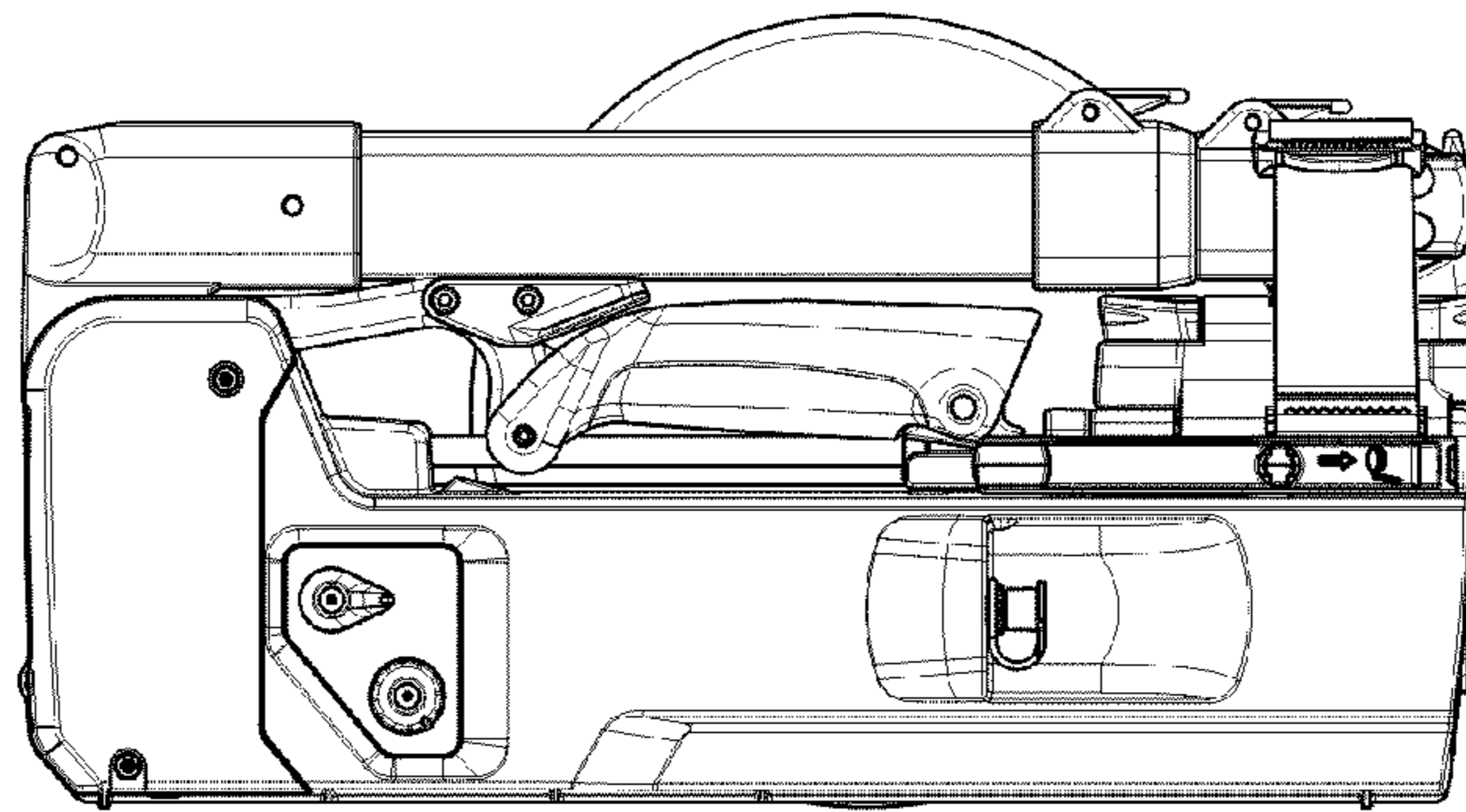
**Fig 11**



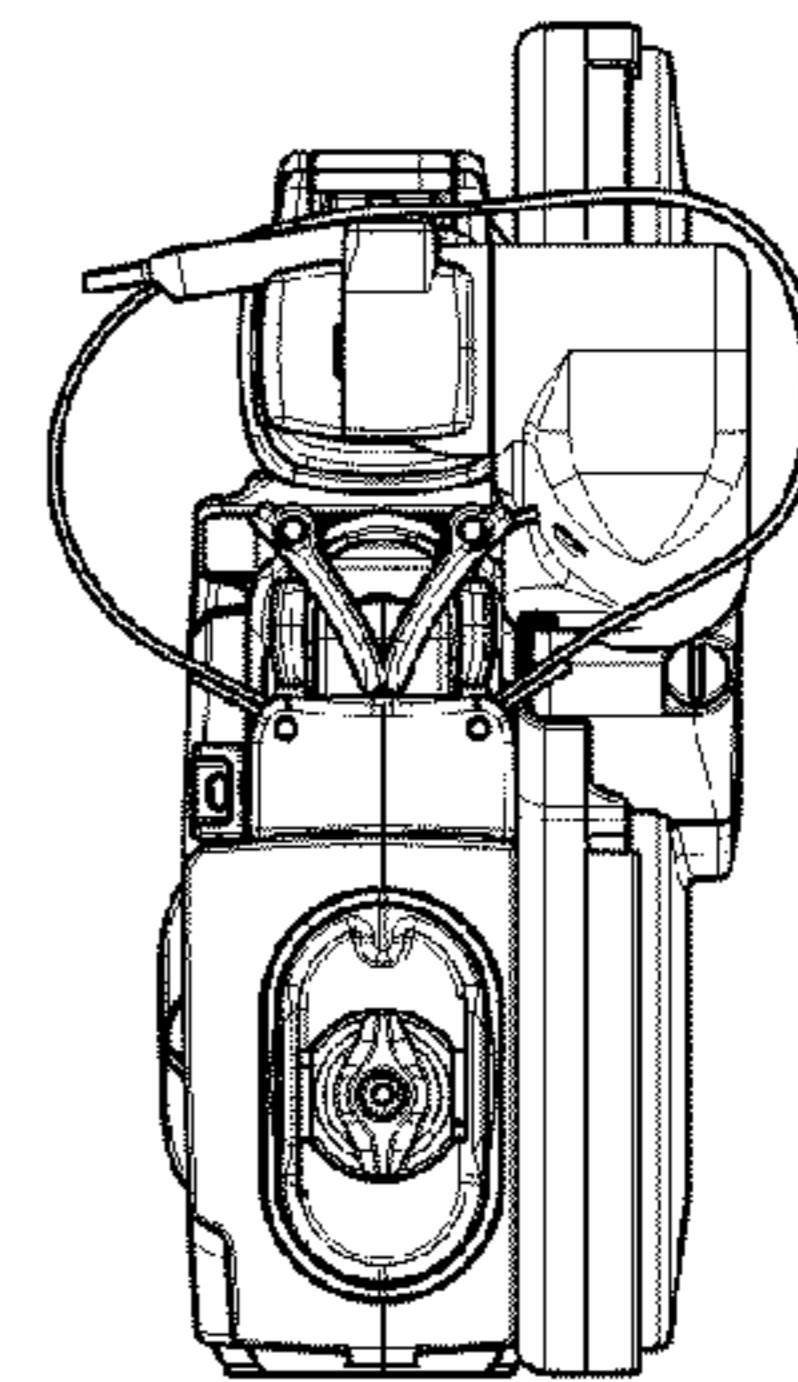
**Fig 12**



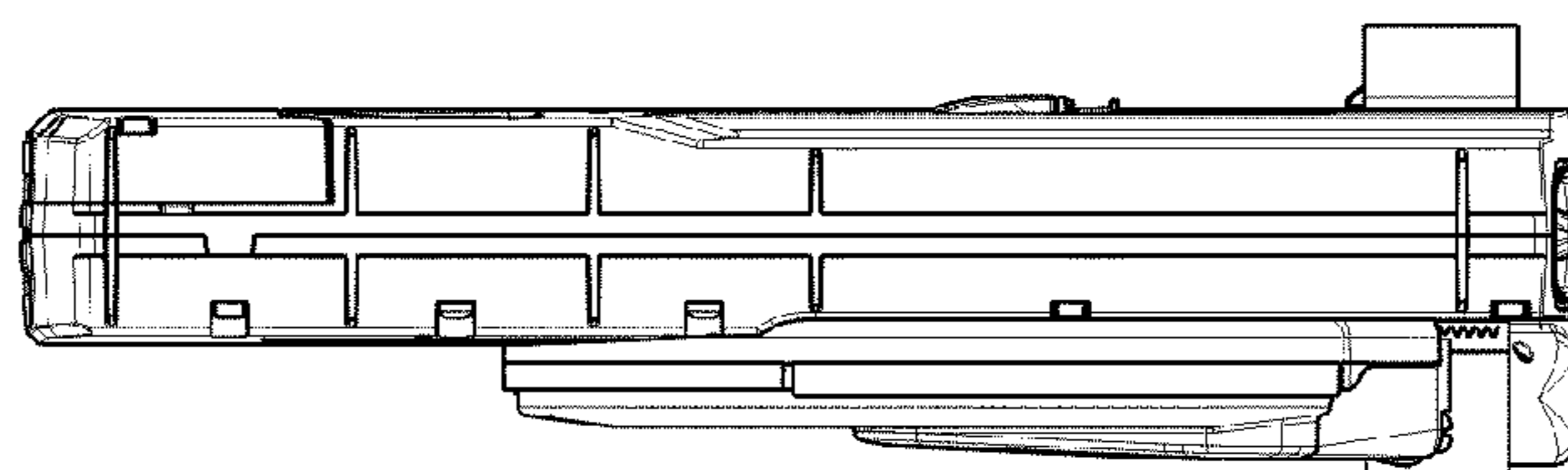
**Fig 13**



**Fig 14**



**Fig 15**



**Fig 16**