

US00D652326S

(12) **United States Design Patent**
Kummer

(10) **Patent No.:** **US D652,326 S**

(45) **Date of Patent:** **** Jan. 17, 2012**

(54) **WATCH CASE**

(75) Inventor: **Matthias Kummer**, Schaffhausen (CH)

(73) Assignee: **Richemont International S.A.**,
Villars-sur-Glâne (CH)

(**) Term: **14 Years**

(21) Appl. No.: **29/374,013**

(22) Filed: **Jun. 22, 2011**

(30) **Foreign Application Priority Data**

Dec. 23, 2010 (WO) DM/075 394

(51) **LOC (9) Cl.** **10-02**

(52) **U.S. Cl.** **D10/38**

(58) **Field of Classification Search** D10/30-39;
368/276, 281, 282, 285, 294, 295, 288, 290
See application file for complete search history.

(56) **References Cited**

U.S. PATENT DOCUMENTS

D410,853 S * 6/1999 Bulgari D10/32
D443,214 S * 6/2001 Bodino D10/32

D507,974 S * 8/2005 Strasser D10/30
D511,695 S * 11/2005 Hegi D10/39
D523,357 S * 6/2006 Kummer D10/38
D607,346 S * 1/2010 Bove et al. D10/38
D640,146 S * 6/2011 Tedeschi D10/39
D642,075 S * 7/2011 Crocco D10/39

* cited by examiner

Primary Examiner — Lucy Lieberman

(74) *Attorney, Agent, or Firm* — Clifford W. Browning;
Krieg DeVault LLP

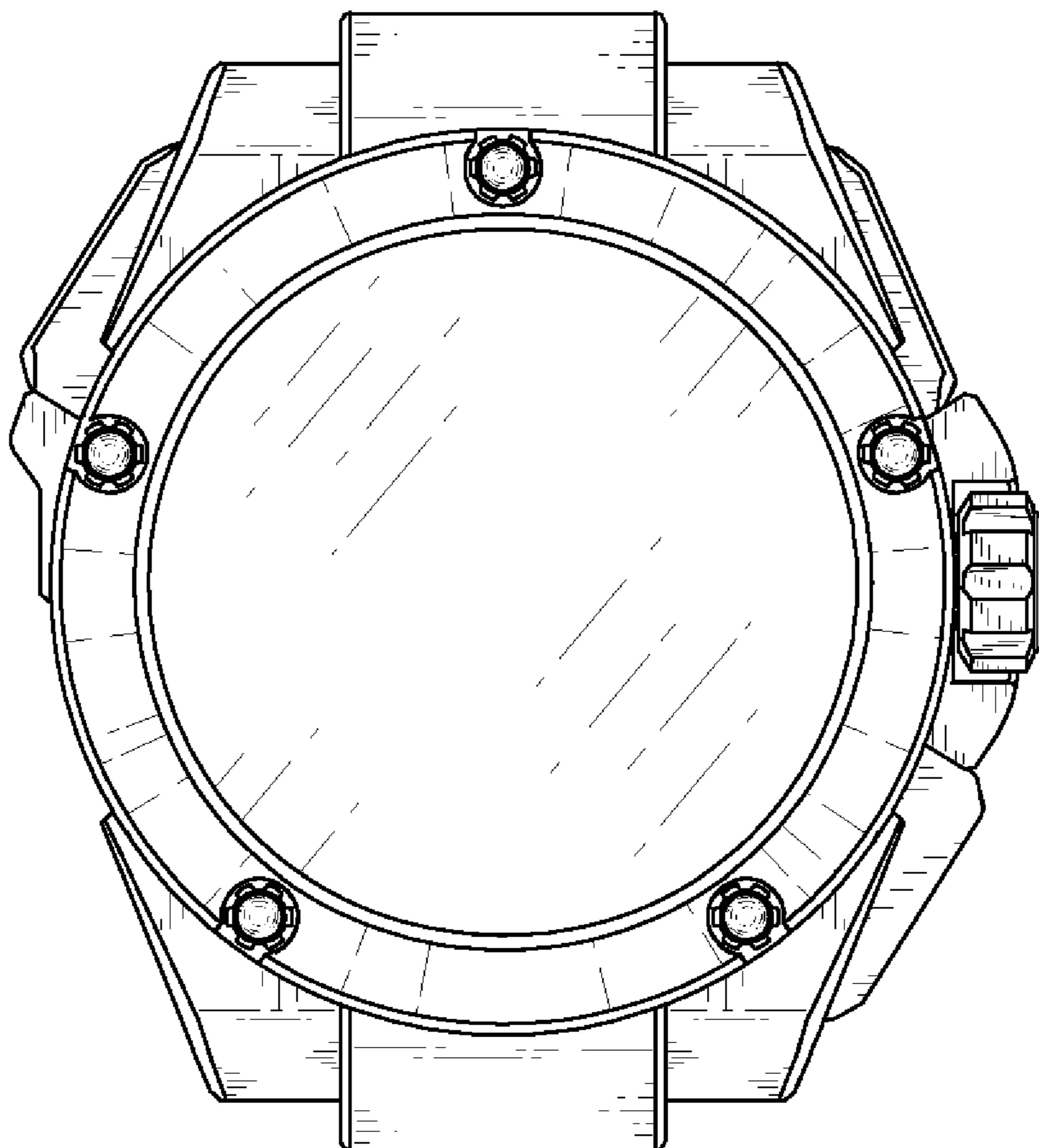
(57) **CLAIM**

The ornamental design for a watch case, as shown and described.

DESCRIPTION

FIG. 1 is a front elevation of a watch case showing my new design;
FIG. 2 is a rear elevation thereof;
FIG. 3 is a right side view thereof;
FIG. 4 is a bottom view thereof;
FIG. 5 is a left side view thereof;
FIG. 6 is a top view thereof; and
FIG. 7 is a perspective view thereof.

1 Claim, 1 Drawing Sheet



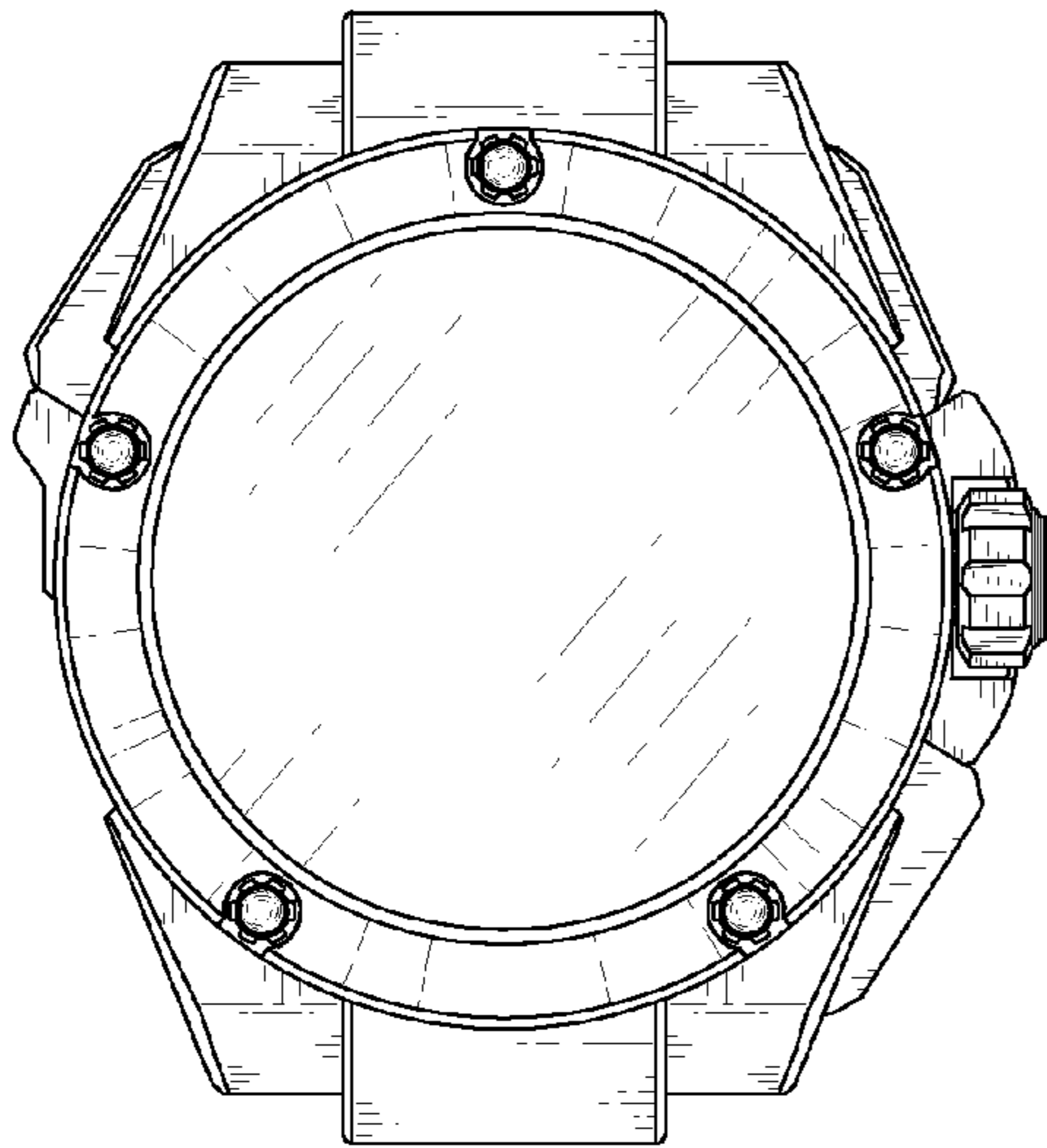


Fig. 1

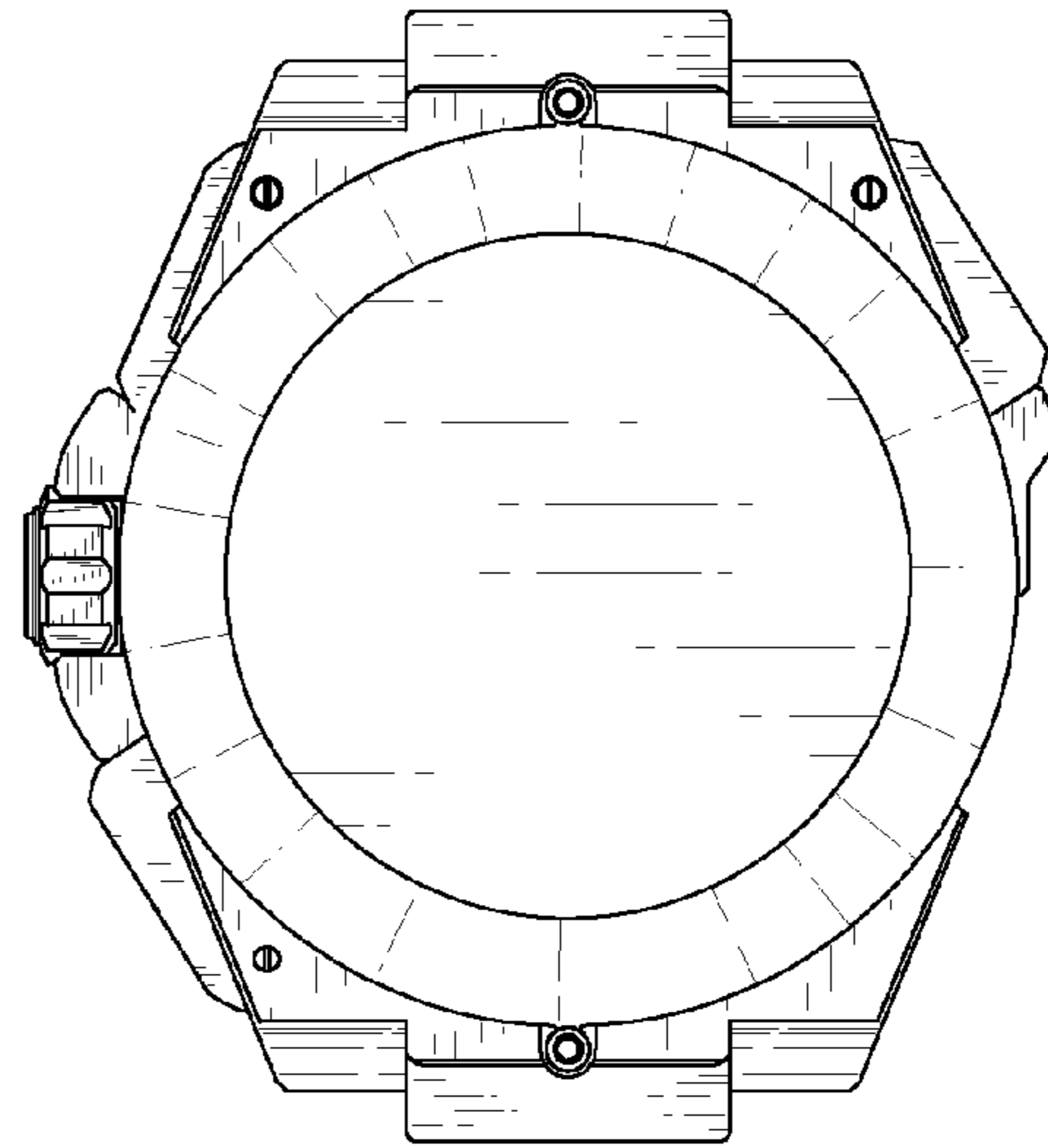


Fig. 2

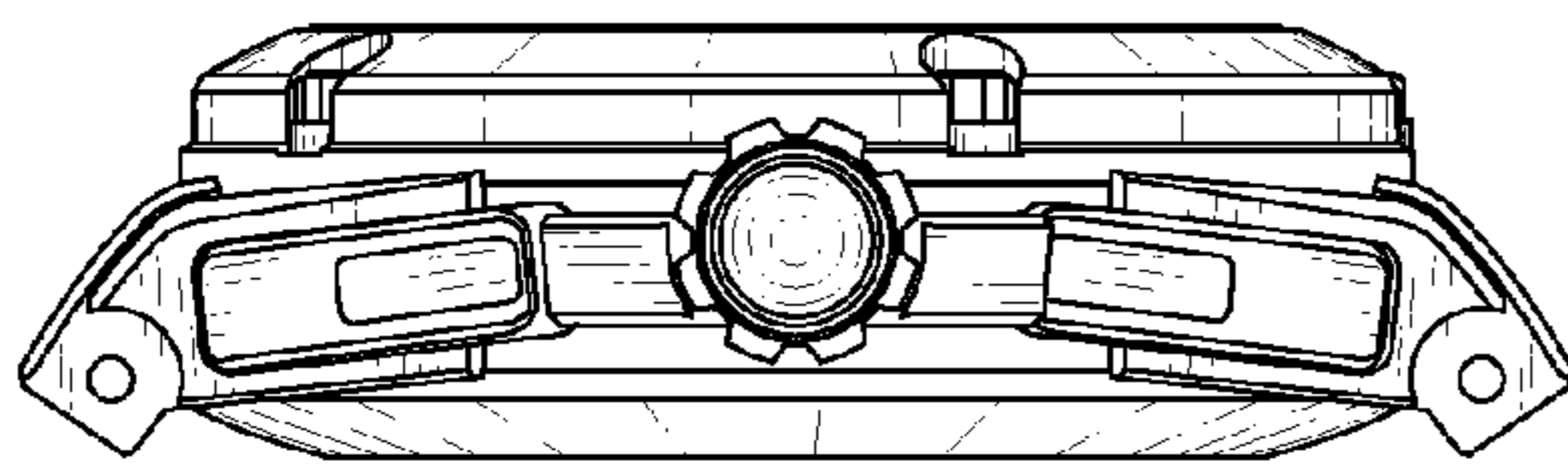


Fig. 3

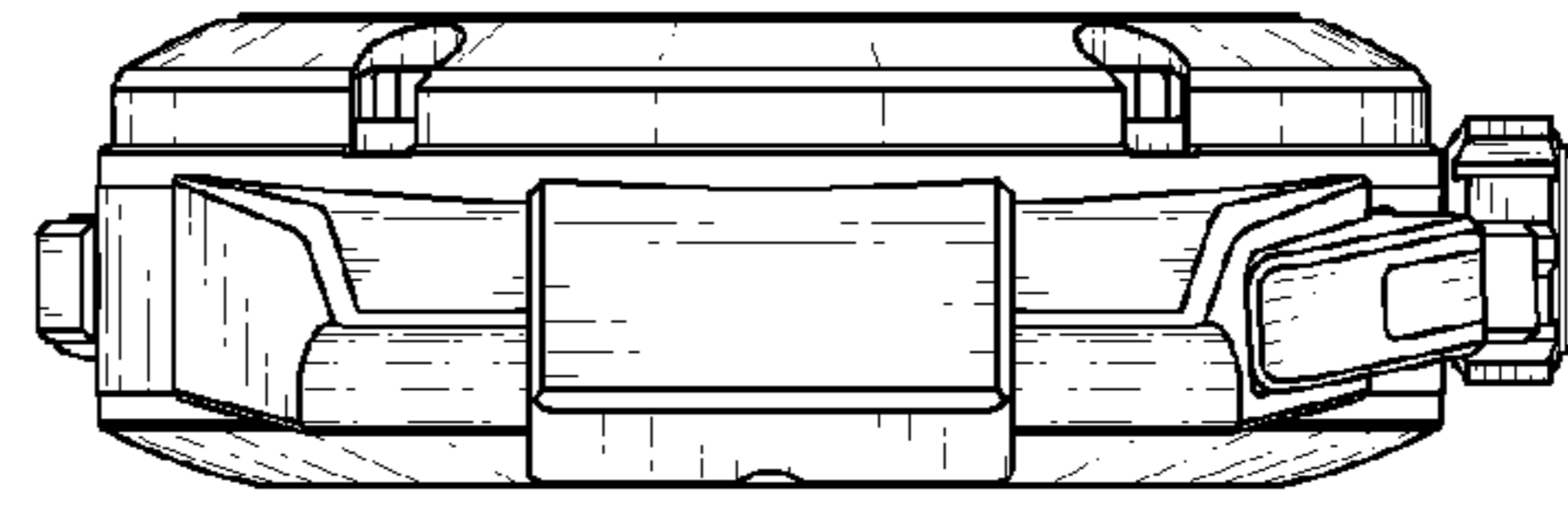


Fig. 4

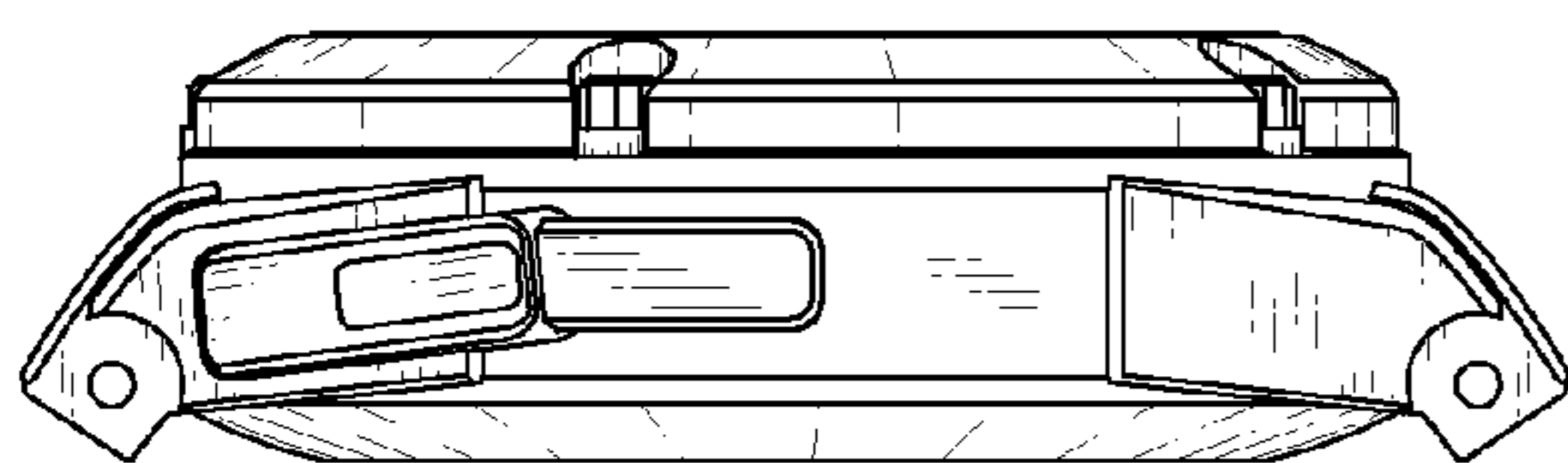


Fig. 5

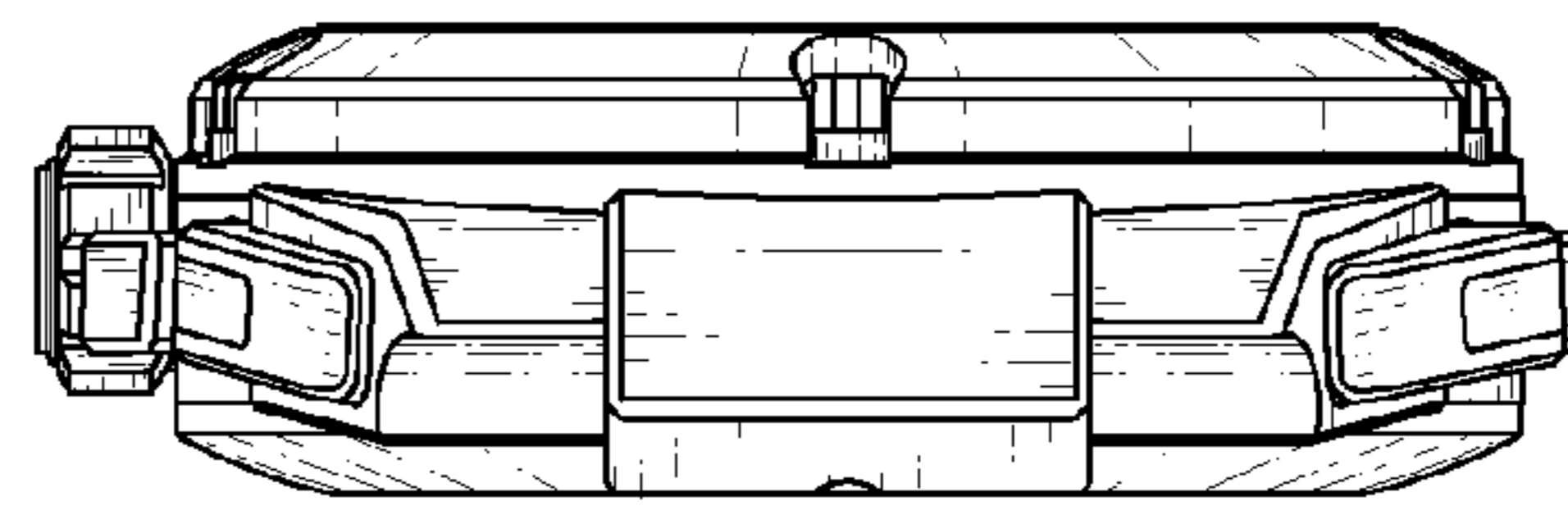


Fig. 6

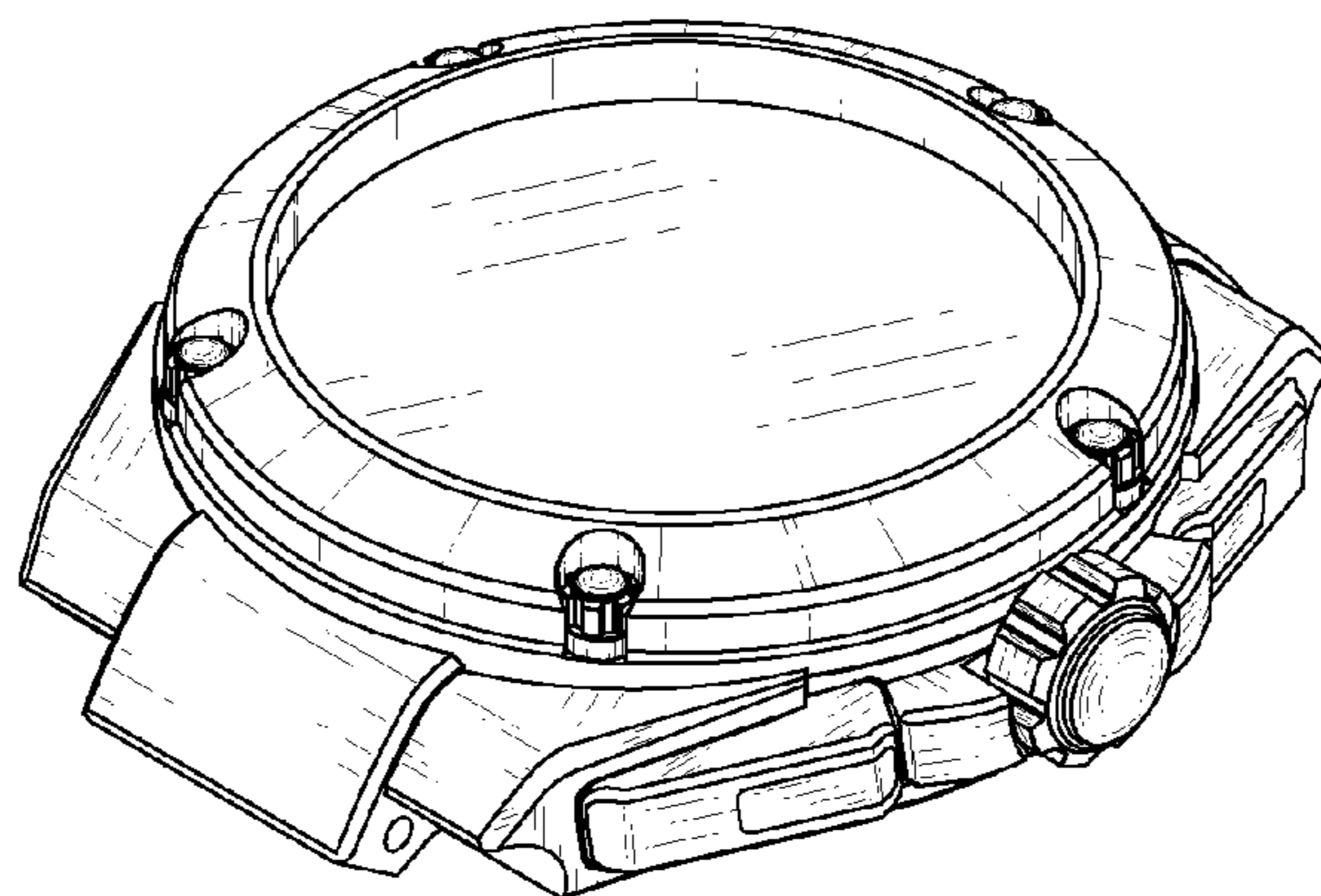


Fig. 7