



US00D652323S

(12) **United States Design Patent**
Clark

(10) **Patent No.:** **US D652,323 S**

(45) **Date of Patent:** **** Jan. 17, 2012**

(54) **FOOD AND BEVERAGE CONTAINER**

(76) Inventor: **Ronald Clark**, Oakley, CA (US)

(**) Term: **14 Years**

(21) Appl. No.: **29/394,691**

(22) Filed: **Jun. 20, 2011**

(51) **LOC (9) Cl.** **09-03**

(52) **U.S. Cl.** **D9/761; D9/425**

(58) **Field of Classification Search** D9/431,
D9/432, 424, 425, 737, 749, 751, 759, 760,
D9/761, 457; D7/550.1, 565, 566, 570, 584,
D7/586, 588, 554.2, 545, 543, 546, 549, 553.6,
D7/554.1, 587; 220/23.83, 657, 654, 771,
220/904, 574, 212, 574.4, 577, 561, 503,
220/575, 659; 206/307, 308.1, 308.3, 504,
206/440, 561-565, 507, 557; 294/172; 229/407
See application file for complete search history.

(56) **References Cited**

U.S. PATENT DOCUMENTS

D249,769	S	*	10/1978	Vigue	D7/553.8
D284,939	S	*	8/1986	Sandish et al.	D9/761
4,966,297	A	*	10/1990	Doty	220/23.83
4,989,742	A	*	2/1991	Powell	220/23.4
D322,197	S	*	12/1991	Sherlin	D7/549
5,085,391	A	*	2/1992	Berger et al.	248/311.2
5,335,787	A	*	8/1994	Finchum et al.	206/564
D359,885	S	*	7/1995	Yanuzzi	D7/553.8
5,497,885	A	*	3/1996	Sussman	206/563
D376,297	S	*	12/1996	Jacobson	D7/552.2
D382,200	S	*	8/1997	Brondyke et al.	D9/761

D382,201	S	*	8/1997	Brondyke et al.	D9/761
D397,582	S	*	9/1998	Sussman	D7/553.4
D398,481	S	*	9/1998	Brown et al.	D7/554.2
D401,142	S	*	11/1998	Adamek	D9/631
D404,218	S	*	1/1999	Sussman	D6/406.5
D426,110	S	*	6/2000	Schmidt	D7/553.4
6,360,944	B1	*	3/2002	Gorman	229/400
D458,084	S	*	6/2002	Hudson	D7/553.4
D573,940	S	*	7/2008	Heneghan et al.	D12/425
7,802,693	B2	*	9/2010	Kuhn	220/575
D625,958	S	*	10/2010	Deming	D7/553.6

* cited by examiner

Primary Examiner — Mark Goodwin

(74) *Attorney, Agent, or Firm* — West & Associates, A PC;
Stuart J. West

(57) **CLAIM**

The ornamental design for a food and beverage container, as shown and described.

DESCRIPTION

FIG. 1 depicts an angled elevation view of the food and beverage container showing my new design.

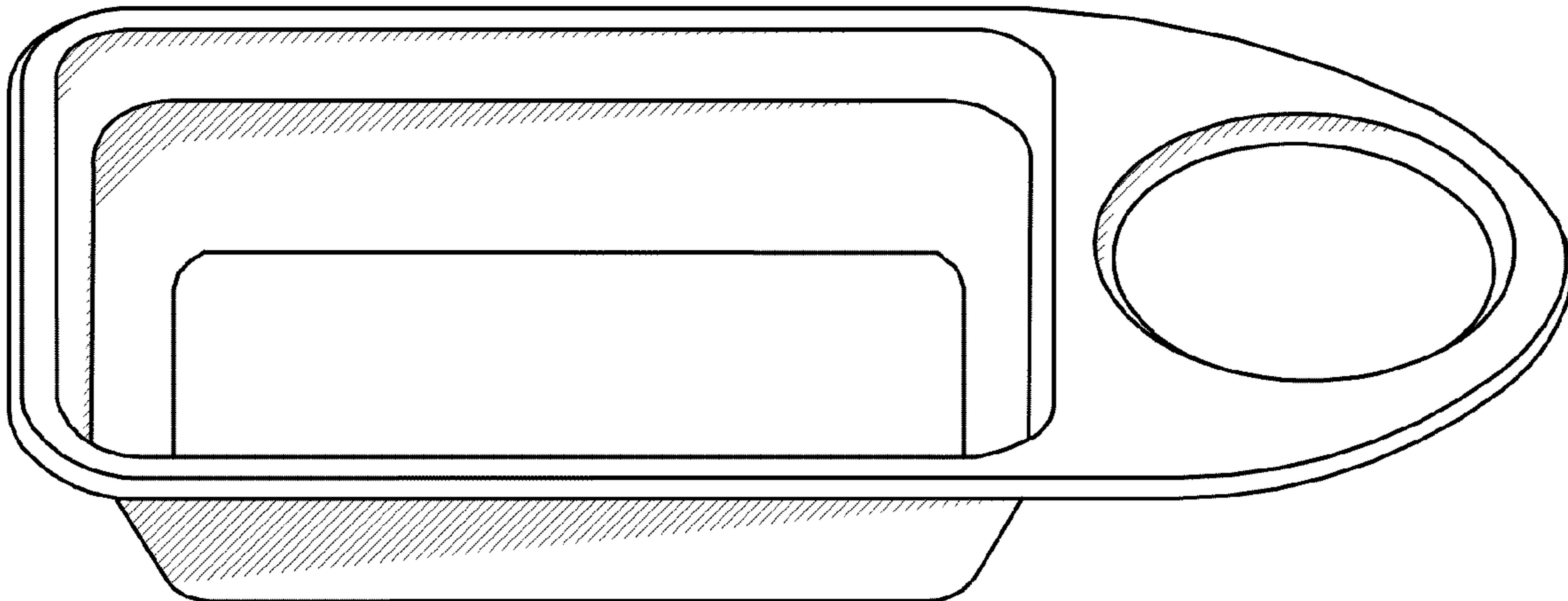
FIG. 2 depicts a top view of the food and beverage container.

FIG. 3 depicts a bottom view of the food and beverage container.

FIG. 4 depicts a transverse elevated view of the food and beverage container; and,

FIG. 5 depicts a longitudinal elevated view of the food and beverage container.

1 Claim, 3 Drawing Sheets



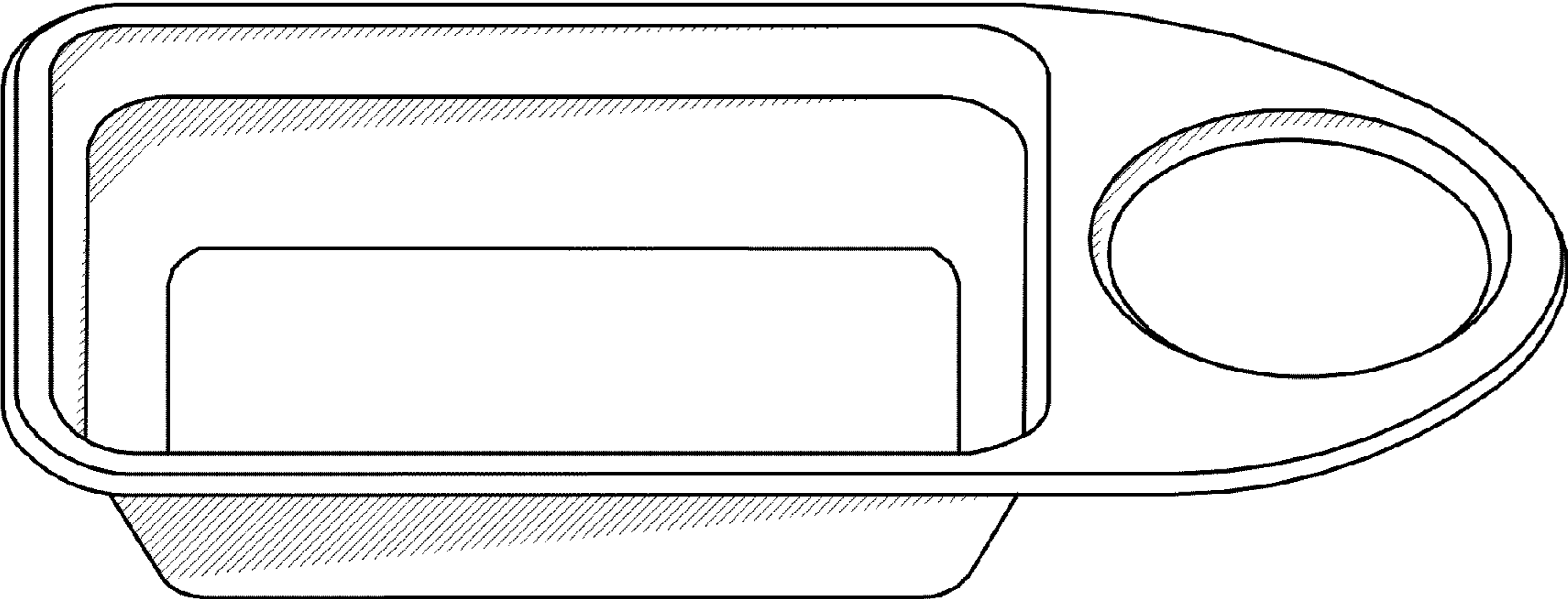


Figure 1

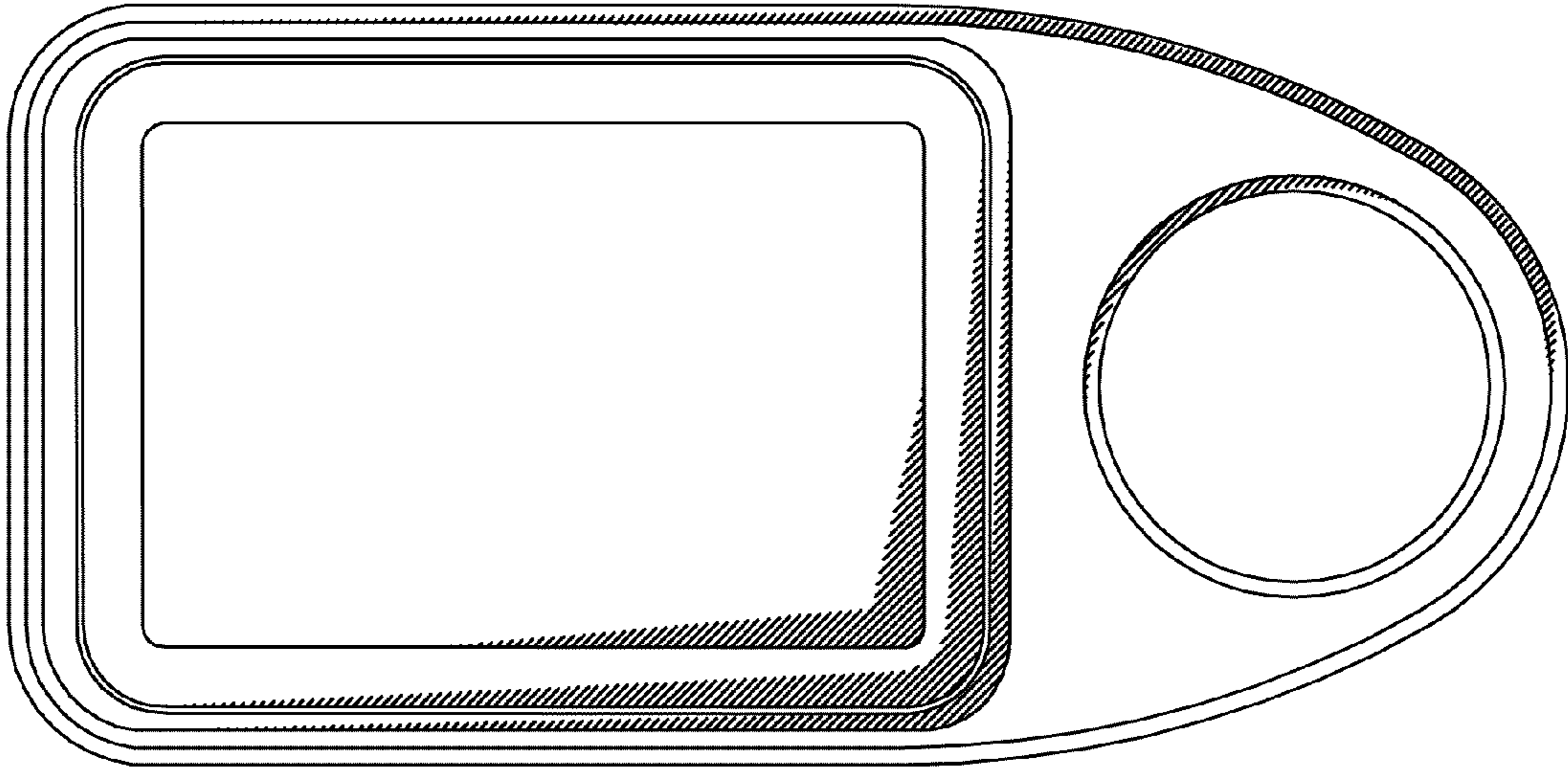


Figure 2

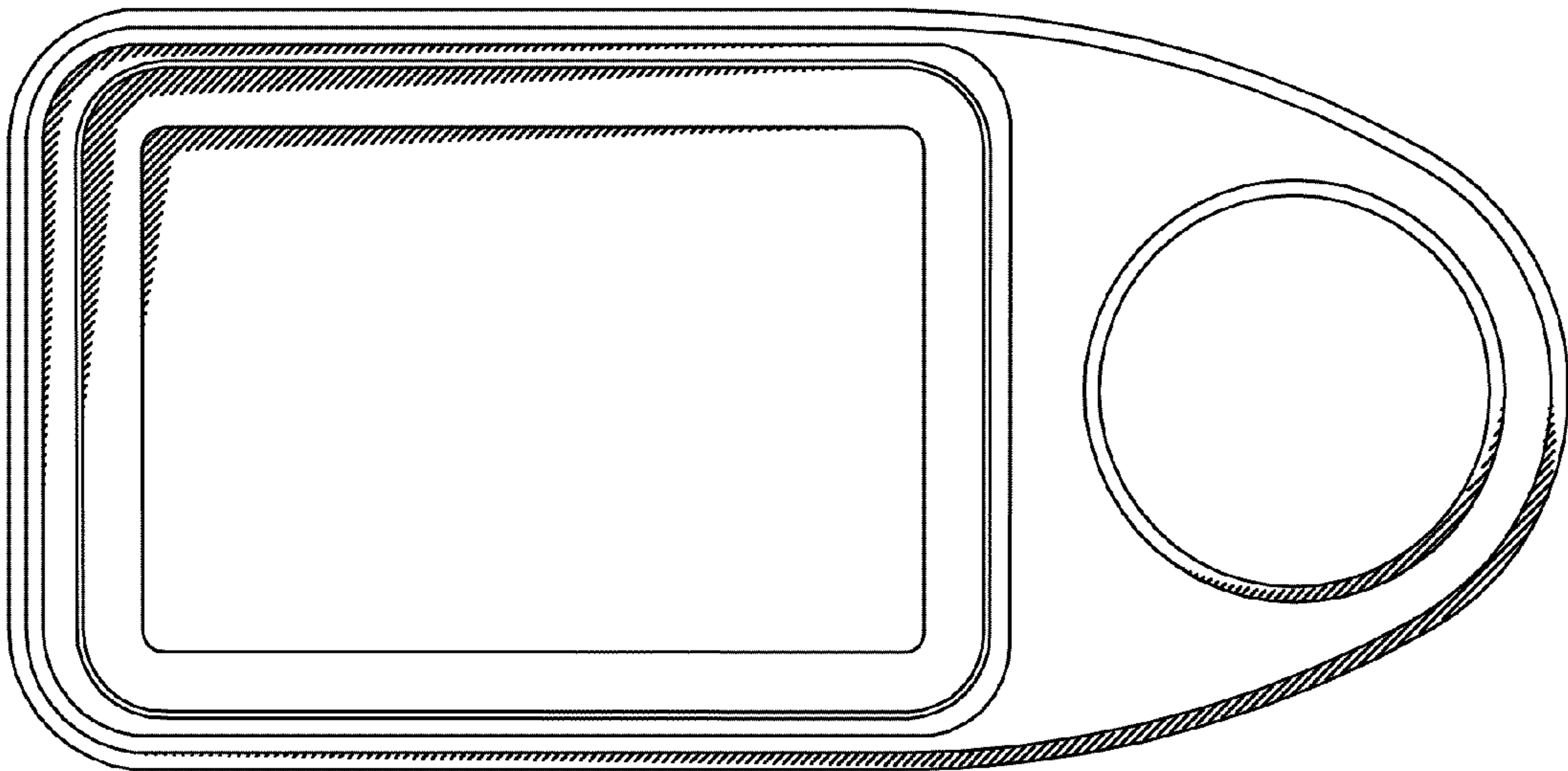


Figure 3

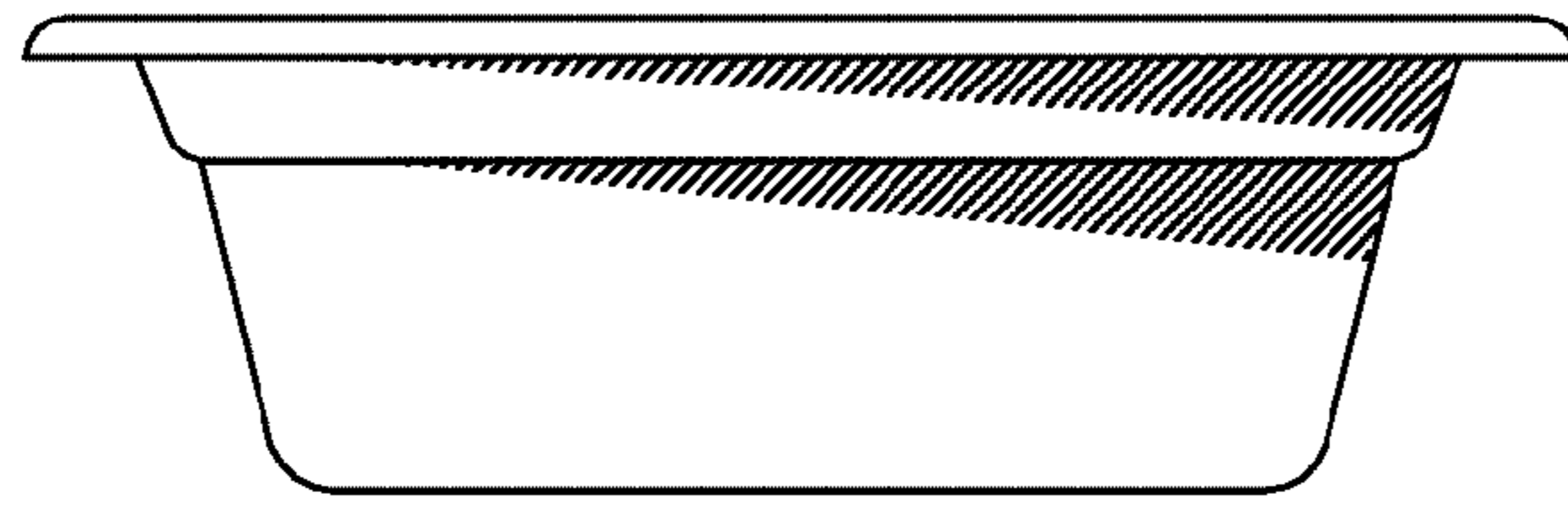


Figure 4

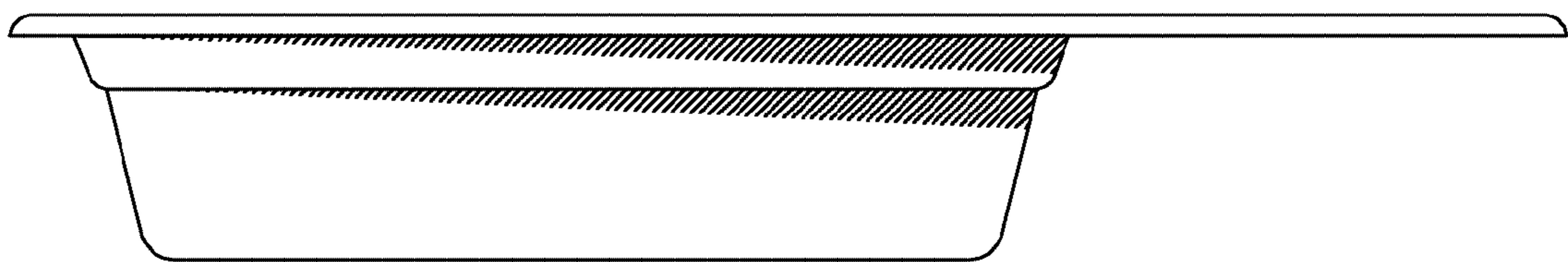


Figure 5