



US00D652310S

(12) **United States Design Patent**
Hartford

(10) **Patent No.:** **US D652,310 S**
(45) **Date of Patent:** **** Jan. 17, 2012**

(54) **BOTTLE AND CAP**

(75) Inventor: **Jennifer Hartford**, Brooklyn, NY (US)

(73) Assignee: **Tequila Don Julio, S.A. de C.V.**, Jalisco (MX)

(**) Term: **14 Years**

(21) Appl. No.: **29/387,961**

(22) Filed: **Mar. 22, 2011**

(51) **LOC (9) Cl.** **09-01**

(52) **U.S. Cl.** **D9/544; D9/560; D9/563**

(58) **Field of Classification Search** D9/500,
D9/505, 516, 530, 542-546, 548, 549-551,
D9/558-560, 563, 571-575, 439; D7/598;
215/379, 381-383; 220/660, 662, 669-673,
220/675

See application file for complete search history.

(56) **References Cited**

U.S. PATENT DOCUMENTS

| | | | | |
|--------------|---------|-----------------|-------|---------|
| D11,331 S * | 8/1879 | Beach | | D7/598 |
| D124,535 S * | 1/1941 | McQuaid et al. | | D21/786 |
| D129,730 S * | 9/1941 | Heisey | | D9/546 |
| D355,602 S * | 2/1995 | Buettner et al. | | D9/505 |
| D381,914 S * | 8/1997 | Dinand | | D9/545 |
| D383,070 S * | 9/1997 | Workman et al. | | D9/542 |
| D384,890 S * | 10/1997 | Goldman | | D9/520 |
| D386,689 S * | 11/1997 | Schwartz | | D9/546 |
| D387,668 S * | 12/1997 | Bond | | D9/520 |
| D545,676 S * | 7/2007 | Rica | | D9/439 |
| D551,548 S * | 9/2007 | Didier | | D9/439 |
| D559,113 S * | 1/2008 | Brown et al. | | D9/544 |
| D567,100 S * | 4/2008 | Liden et al. | | D9/560 |
| D598,777 S * | 8/2009 | Belke et al. | | D9/546 |

| | | | | |
|--------------|---------|----------|-------|--------|
| D602,368 S * | 10/2009 | Rica | | D9/544 |
| D612,739 S * | 3/2010 | Delbon | | D9/544 |
| D624,823 S * | 10/2010 | Brown | | D9/544 |
| D632,578 S * | 2/2011 | Hartford | | D9/522 |
| D636,268 S * | 4/2011 | Gautier | | D9/545 |

OTHER PUBLICATIONS

“A-1578”, Toilets (p. 152) and “352” & “3” (p. CH 41, Glass Containers, Owens-Illinois Glass Co., OH.*

* cited by examiner

Primary Examiner — Ian Simmons

Assistant Examiner — Dana L Sipos

(74) *Attorney, Agent, or Firm* — Morgan, Lewis & Bockius LLP

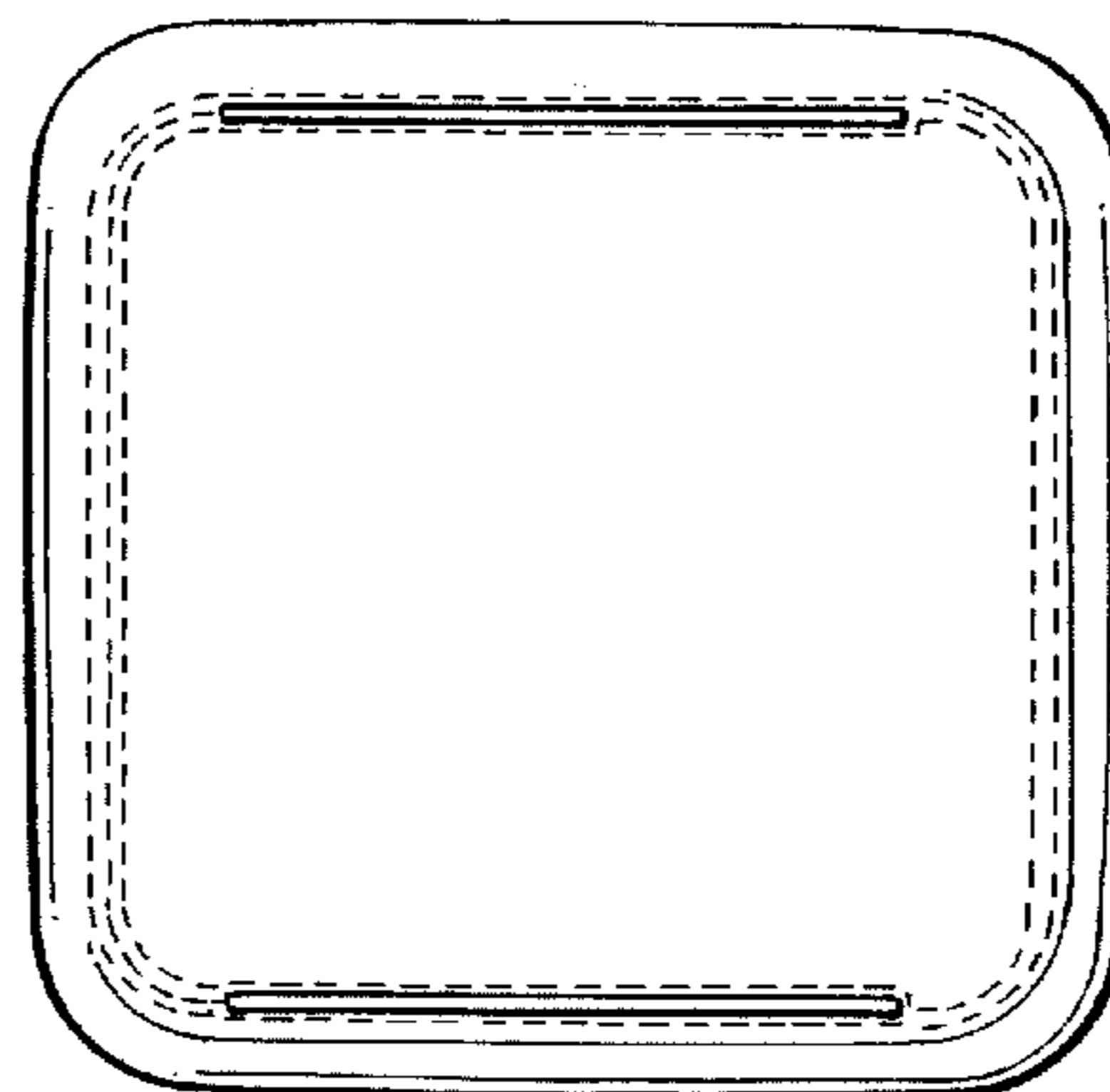
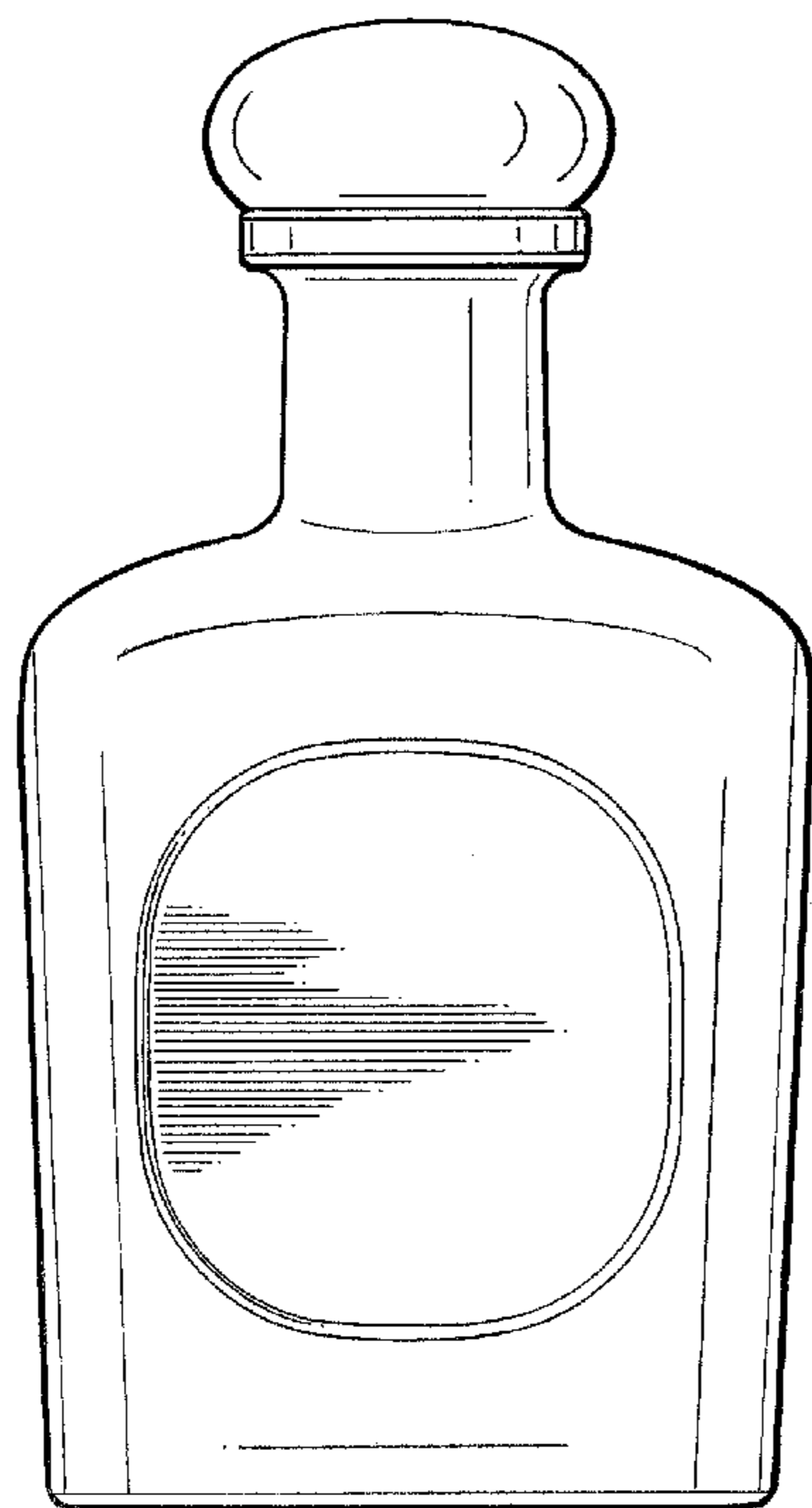
(57) **CLAIM**

The ornamental design for a bottle and cap, as shown and described.

DESCRIPTION

FIG. 1 is a top, front, right side perspective view of a bottle and cap showing my new design;
FIG. 2 is a front elevation view thereof;
FIG. 3 is a rear elevation view thereof;
FIG. 4 is a side elevation view thereof;
FIG. 5 is a top plan view thereof; and,
FIG. 6 is a bottom plan view thereof.
The broken dot-dash line(s) define the bounds of the claim and form no part thereof.

1 Claim, 3 Drawing Sheets



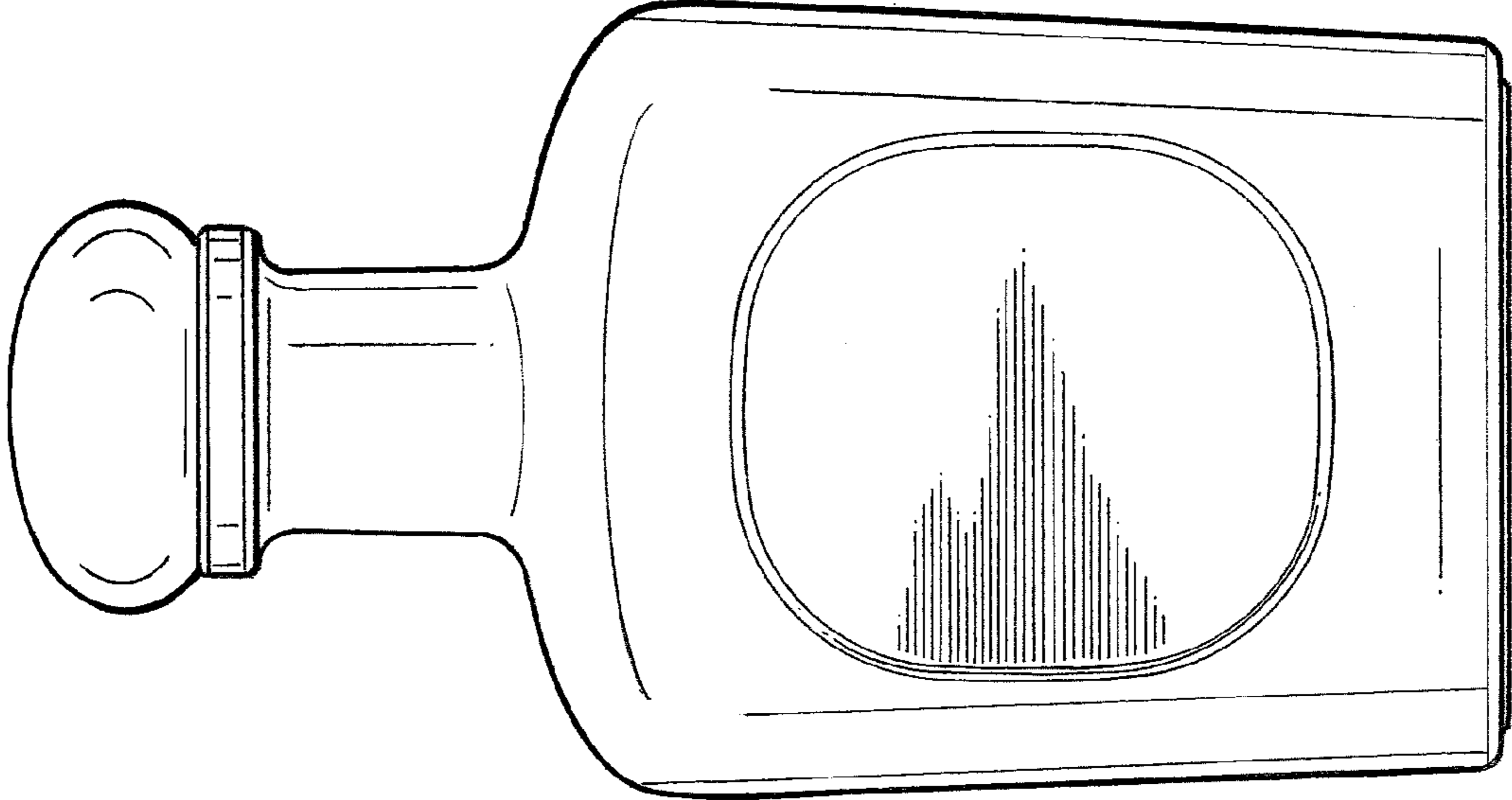


FIG. 2

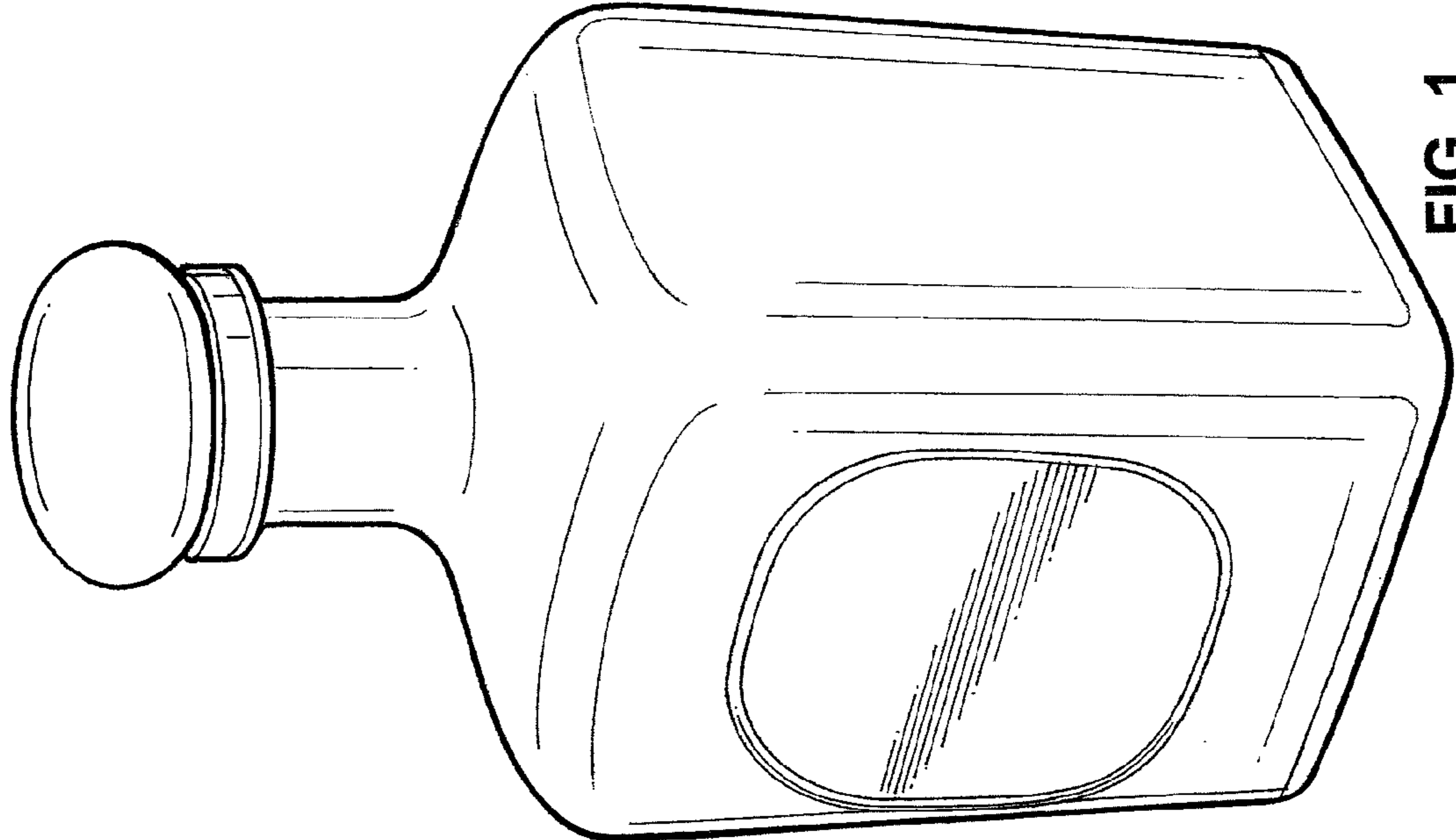


FIG. 1

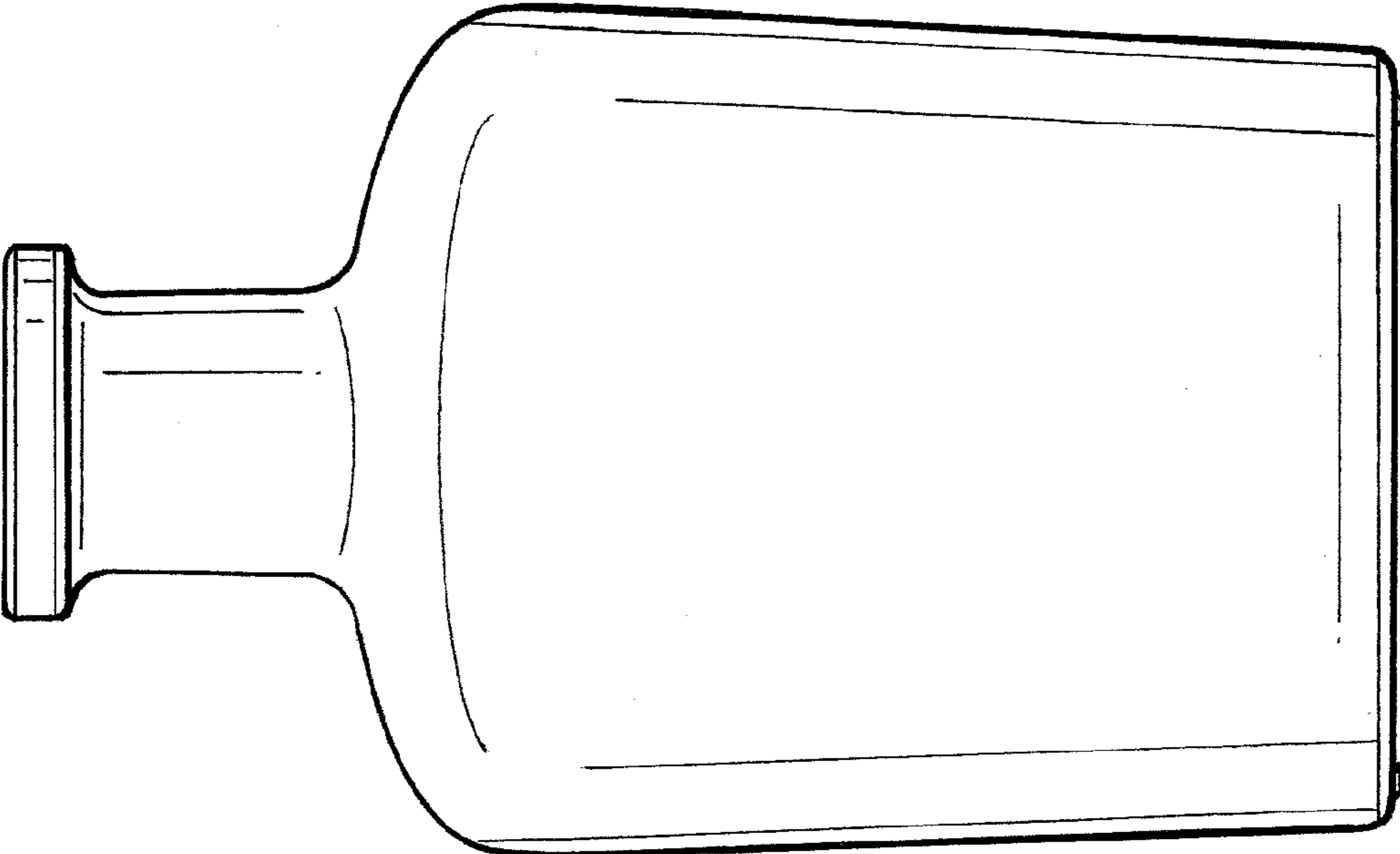


FIG. 3

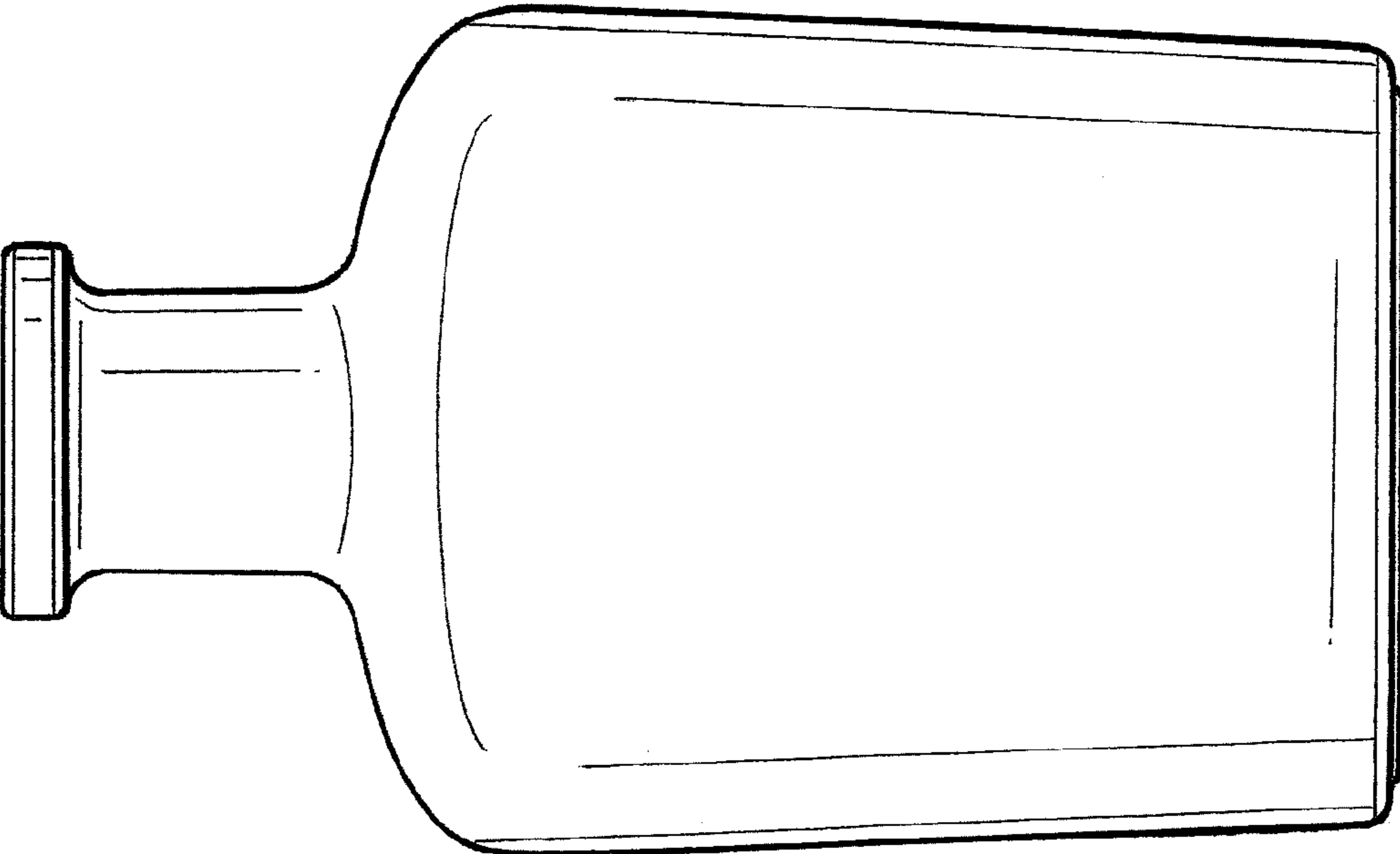


FIG. 4

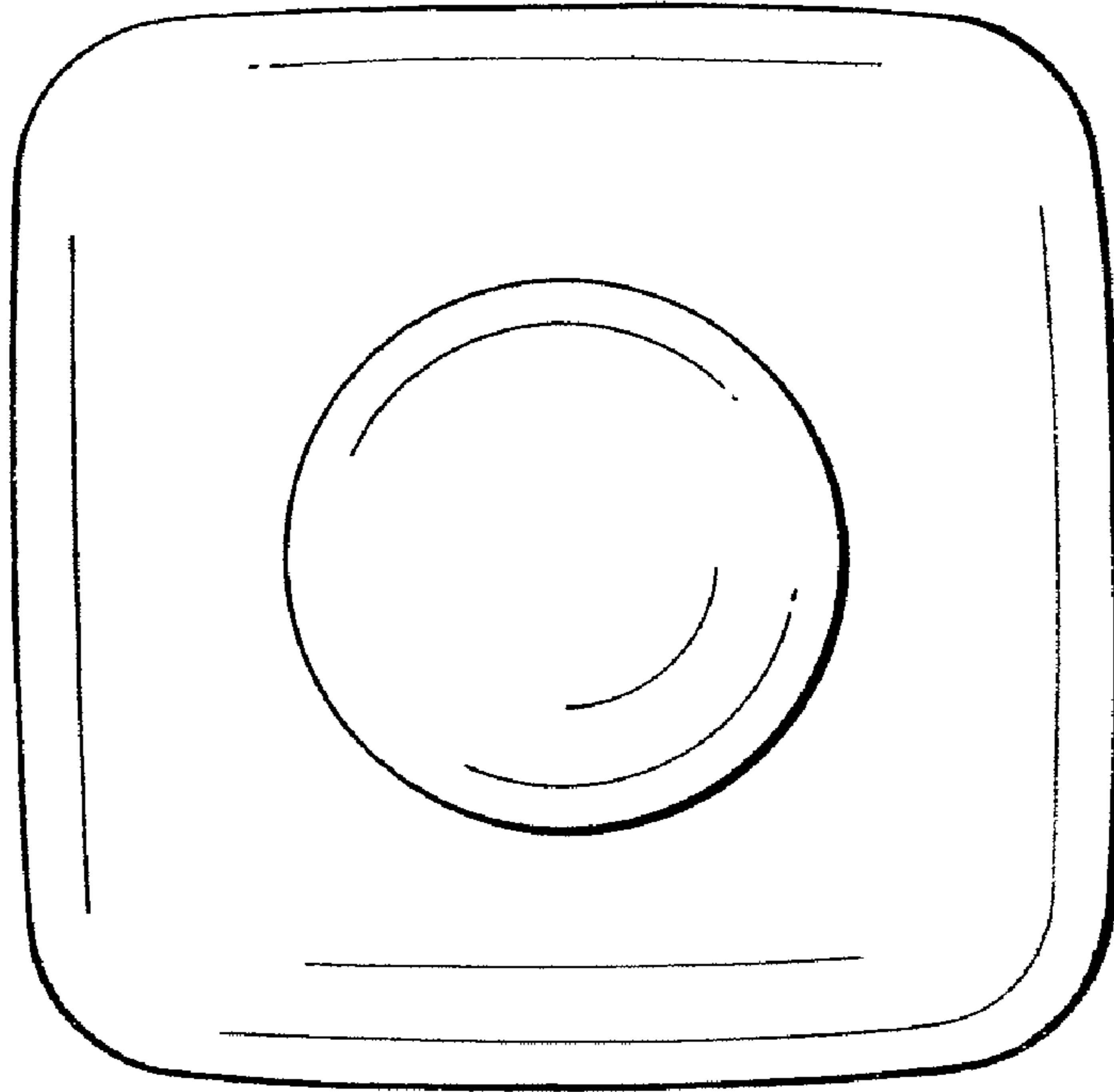


FIG. 5

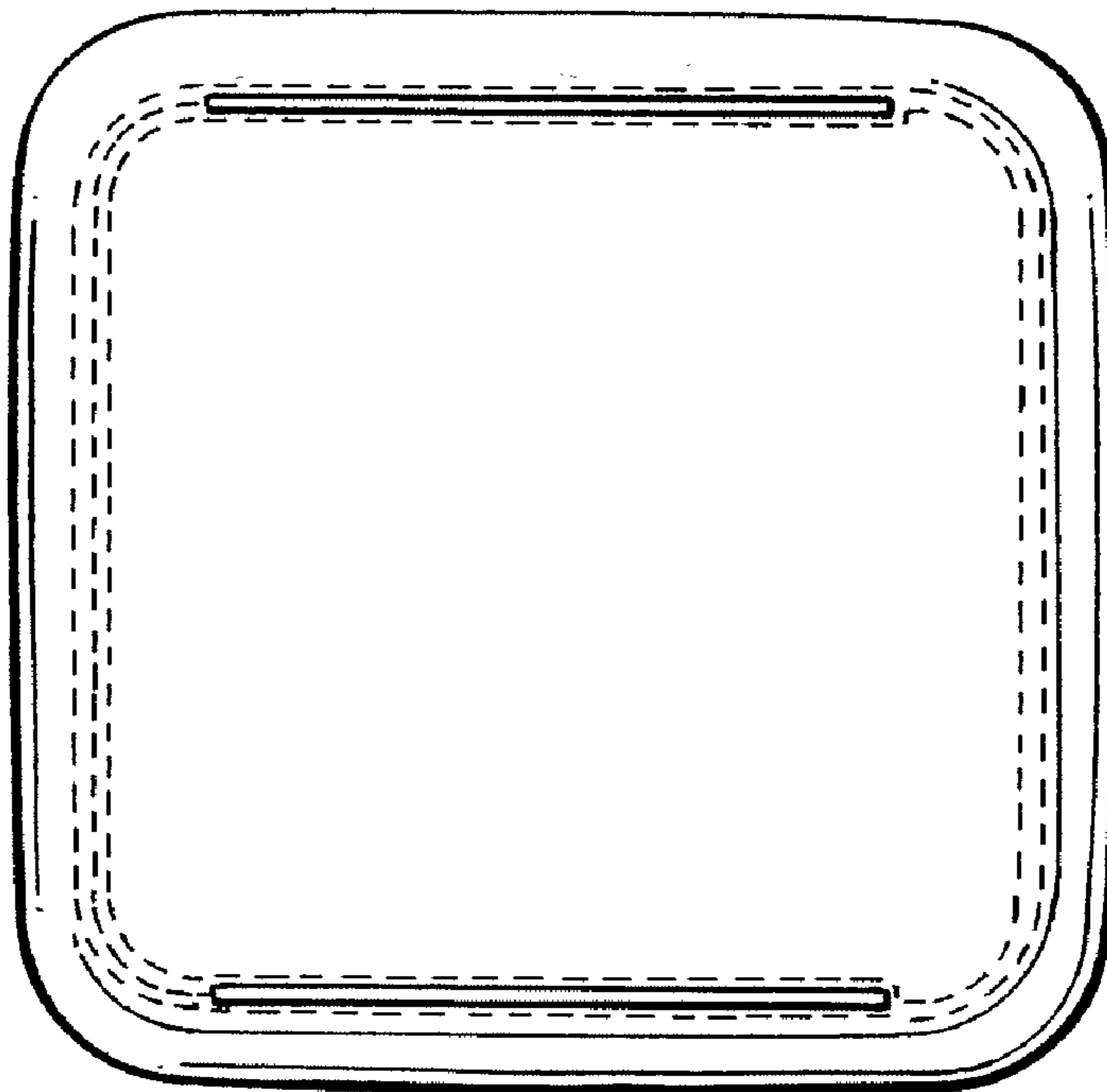


FIG. 6