



US00D652309S

(12) **United States Design Patent**
Hartford

(10) **Patent No.:** **US D652,309 S**
(45) **Date of Patent:** **** Jan. 17, 2012**

(54) **BOTTLE AND CAP**

(75) Inventor: **Jennifer Hartford**, Brooklyn, NY (US)

(73) Assignee: **Tequila Don Julio, S.A. de C.V.**, Jalisco (MX)

(**) Term: **14 Years**

(21) Appl. No.: **29/387,959**

(22) Filed: **Mar. 22, 2011**

(51) **LOC (9) Cl.** **09-01**

(52) **U.S. Cl.** **D9/544; D9/563**

(58) **Field of Classification Search** D9/500,
D9/505, 516, 530, 542-546, 548, 549-551,
D9/558-560, 563, 571-575, 439; D7/598;
215/379, 381-383; 220/660, 662, 669-673,
220/675

See application file for complete search history.

(56) **References Cited**

U.S. PATENT DOCUMENTS

D35,558 S *	1/1902	Kiefer	D9/545
D112,387 S *	11/1938	Street, Jr.	D9/550
D124,535 S *	1/1941	McQuaid et al.	D21/786
D199,279 S *	9/1964	Koenigsberg	D9/529
D204,569 S *	4/1966	Taylow	D9/574
D266,650 S *	10/1982	Sarpaneva	D9/505
D313,203 S *	12/1990	Carlson	D11/153
D327,645 S *	7/1992	Riedel	D9/544
D355,602 S *	2/1995	Buettner et al.	D9/505
D363,668 S *	10/1995	Brough et al.	D9/544
D381,914 S *	8/1997	Dinand	D9/545
D383,070 S *	9/1997	Workman et al.	D9/542
D384,890 S *	10/1997	Goldman	D9/520
D511,461 S *	11/2005	Seys	D9/522
D545,676 S *	7/2007	Rica	D9/439
D550,095 S *	9/2007	De Oliveira Neto	D9/564
D551,548 S *	9/2007	Didier	D9/439

D554,436 S *	11/2007	Nybakke	D7/598
D559,113 S *	1/2008	Brown et al.	D9/544
D632,578 S *	2/2011	Hartford	D9/522
D636,268 S *	4/2011	Gautier	D9/545
D636,679 S *	4/2011	Dumas	D9/545

OTHER PUBLICATIONS

“Lettered Picnic Flasks”, Illustrated Catalog and Price List, Illinois Glass Company Perrin & Smith Print, © 1901, p. 137.*

“352” & “3”, *Section Title*, Glass Containers, Owens—Illinois Glass Co., OH, bottom of page CH 41.*

* cited by examiner

Primary Examiner — Ian Simmons

Assistant Examiner — Dana L Sipos

(74) *Attorney, Agent, or Firm* — Morgan, Lewis & Bockius LLP

(57) **CLAIM**

The ornamental design for a bottle and cap, as shown and described.

DESCRIPTION

FIG. 1 is a front, right side isometric view of a bottle and cap showing my new design;

FIG. 2 is a front elevation view thereof;

FIG. 3 is a rear elevation view thereof;

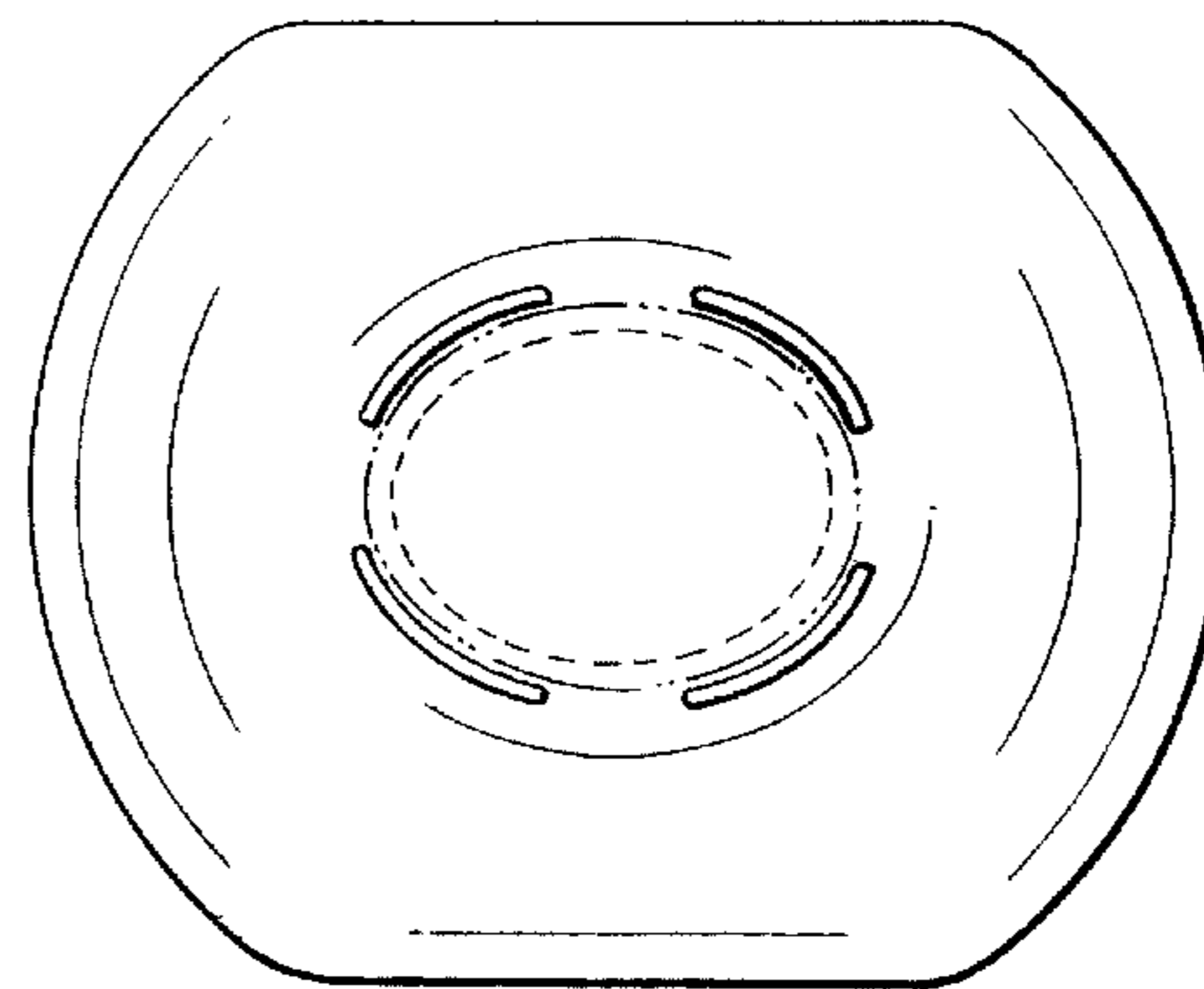
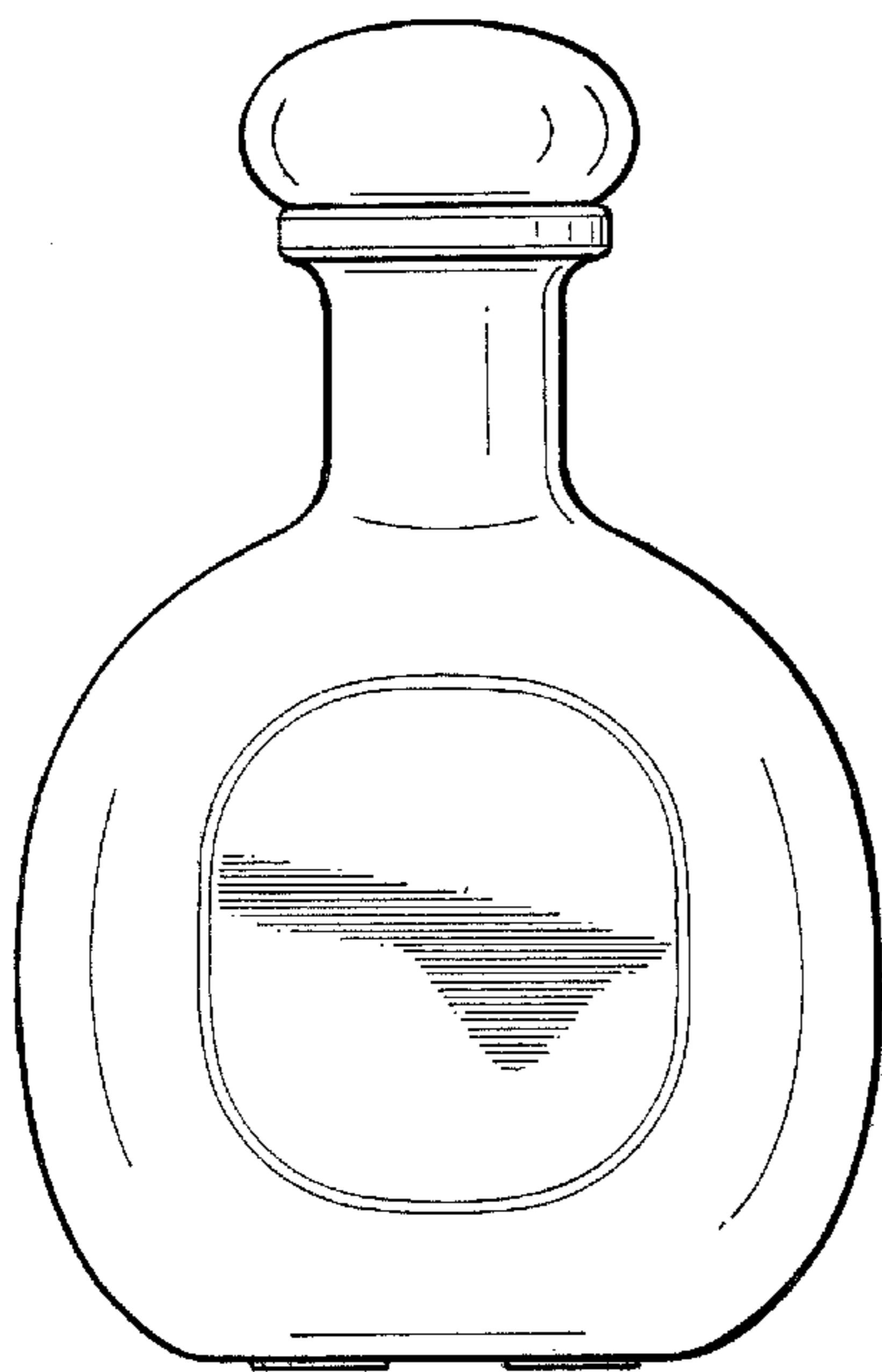
FIG. 4 is a side elevation view thereof;

FIG. 5 is a top plan view thereof; and,

FIG. 6 is a bottom plan view thereof.

The evenly dashed broken line in FIG. 6 illustrates the portion of the design that forms no part of the claim. The dot-dot-dash broken line in FIG. 6 defines the bounds of the claim and forms no part thereof.

1 Claim, 3 Drawing Sheets



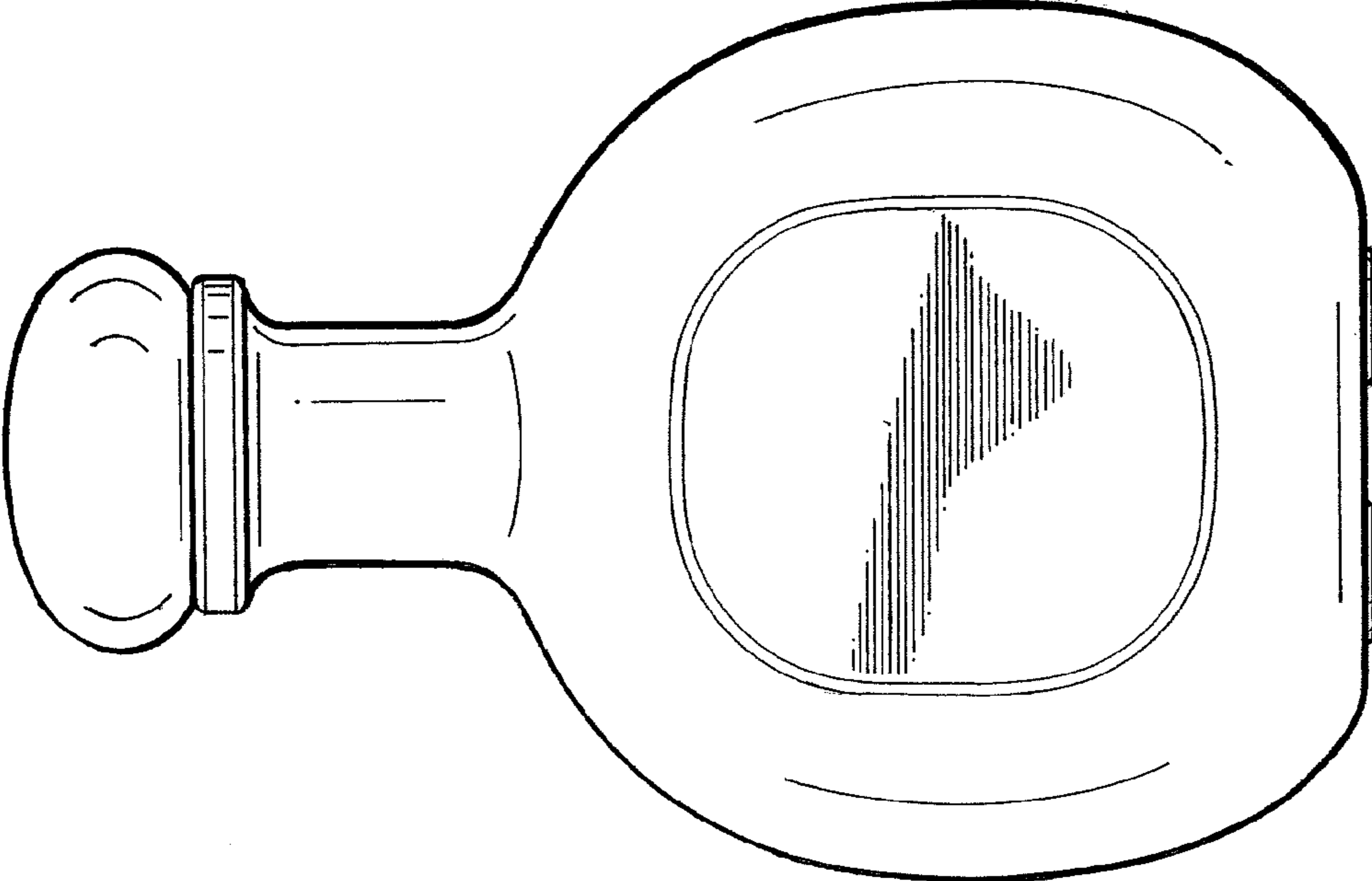


FIG. 1

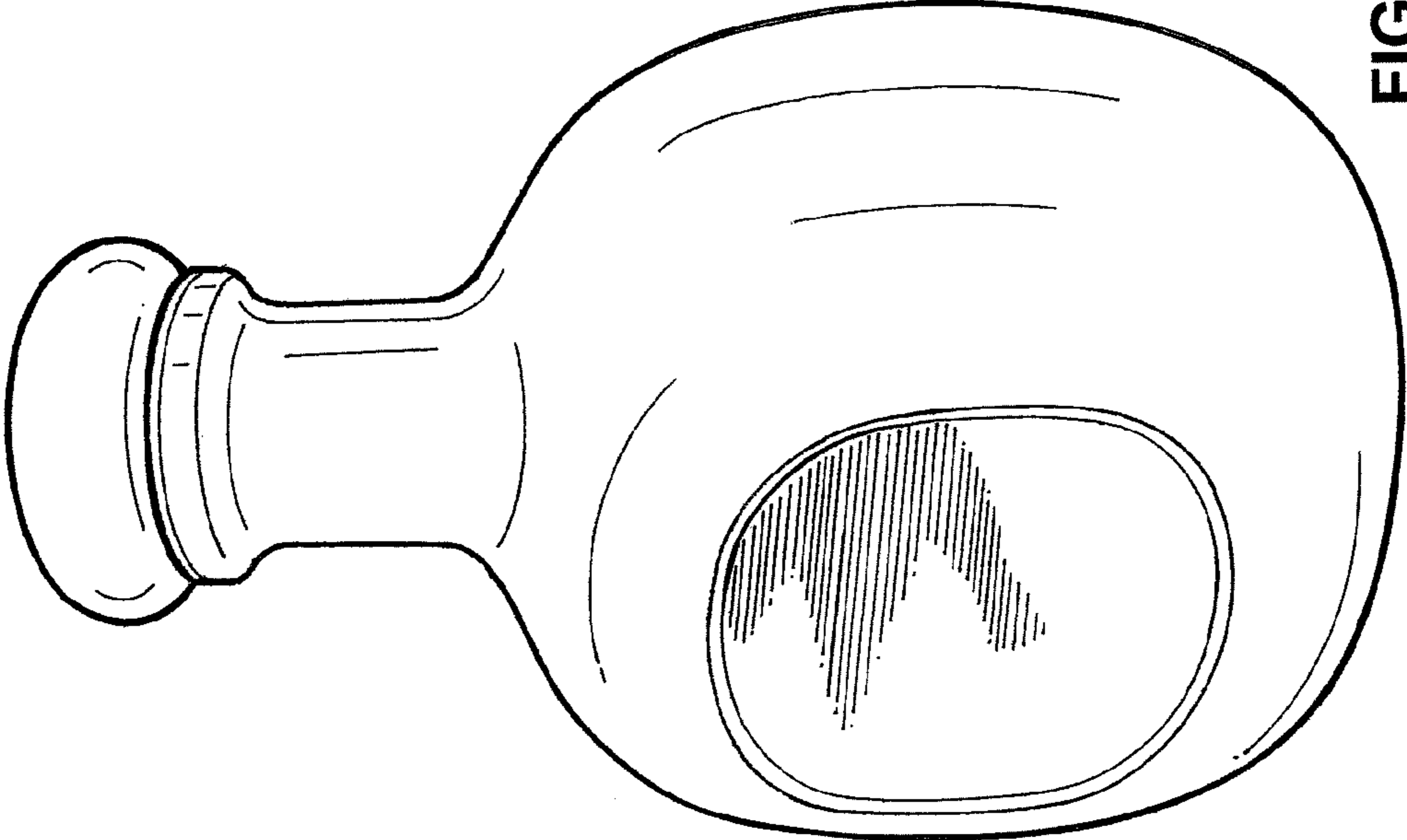


FIG. 2

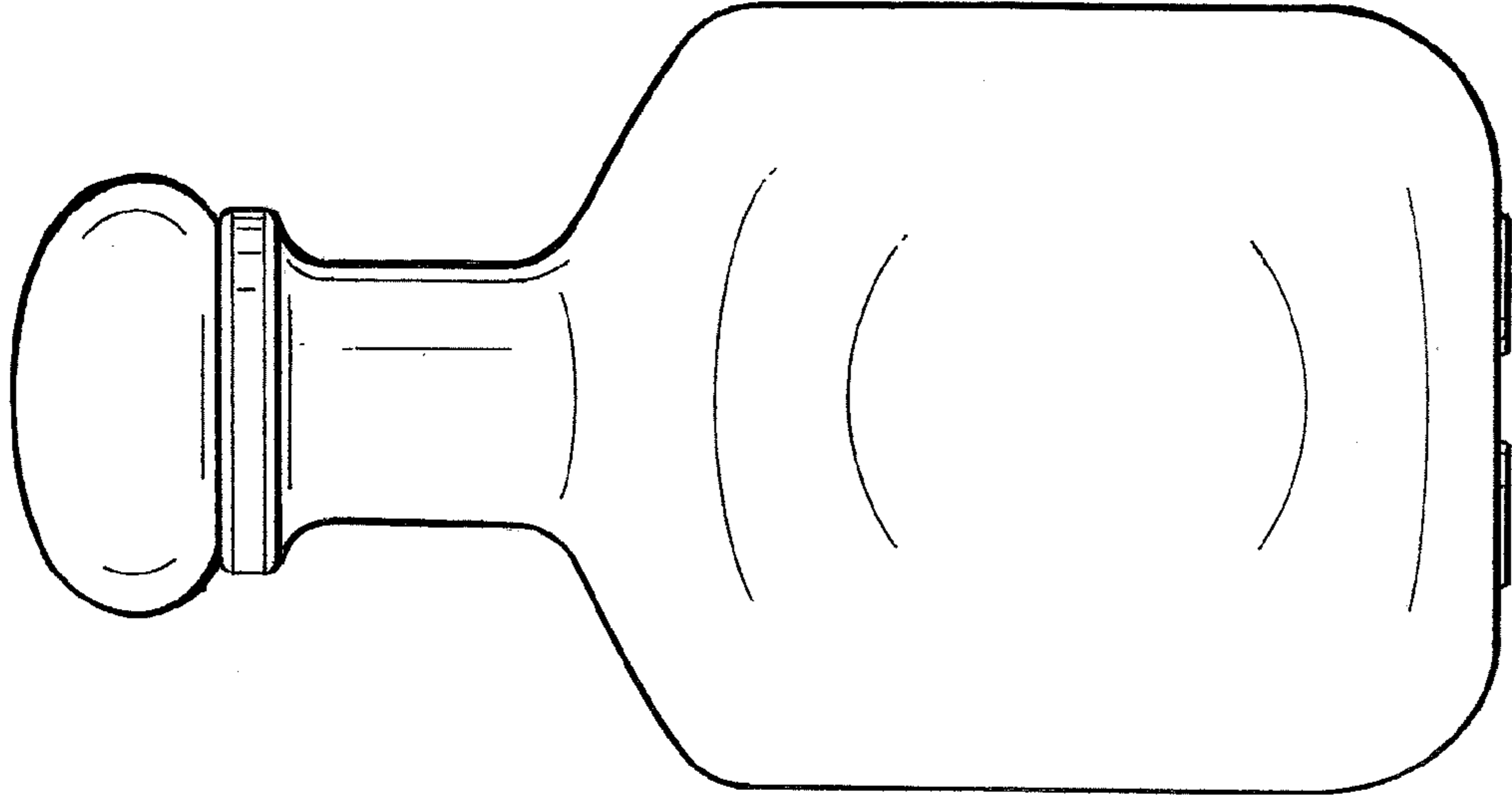


FIG. 4

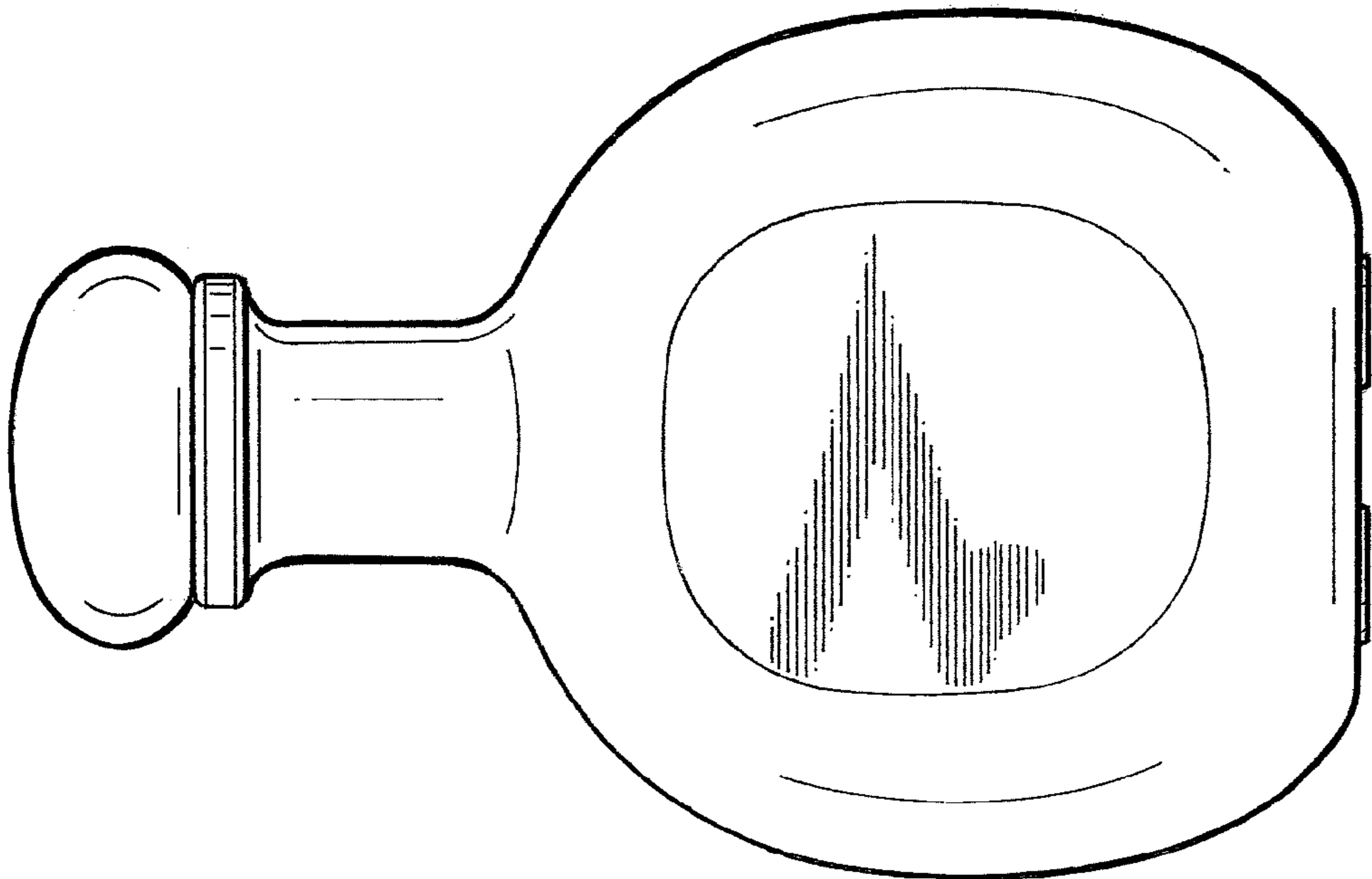


FIG. 3

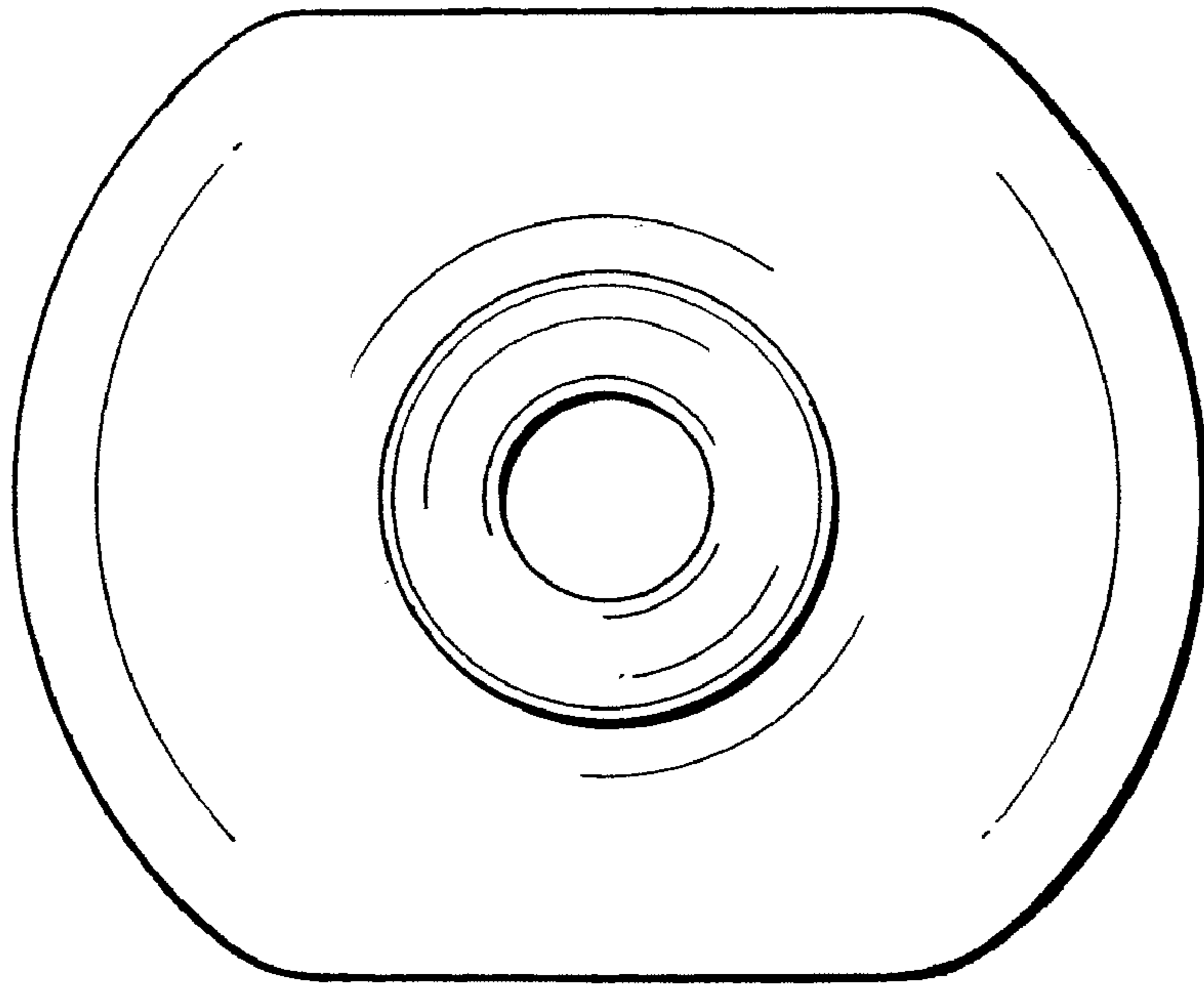


FIG. 5

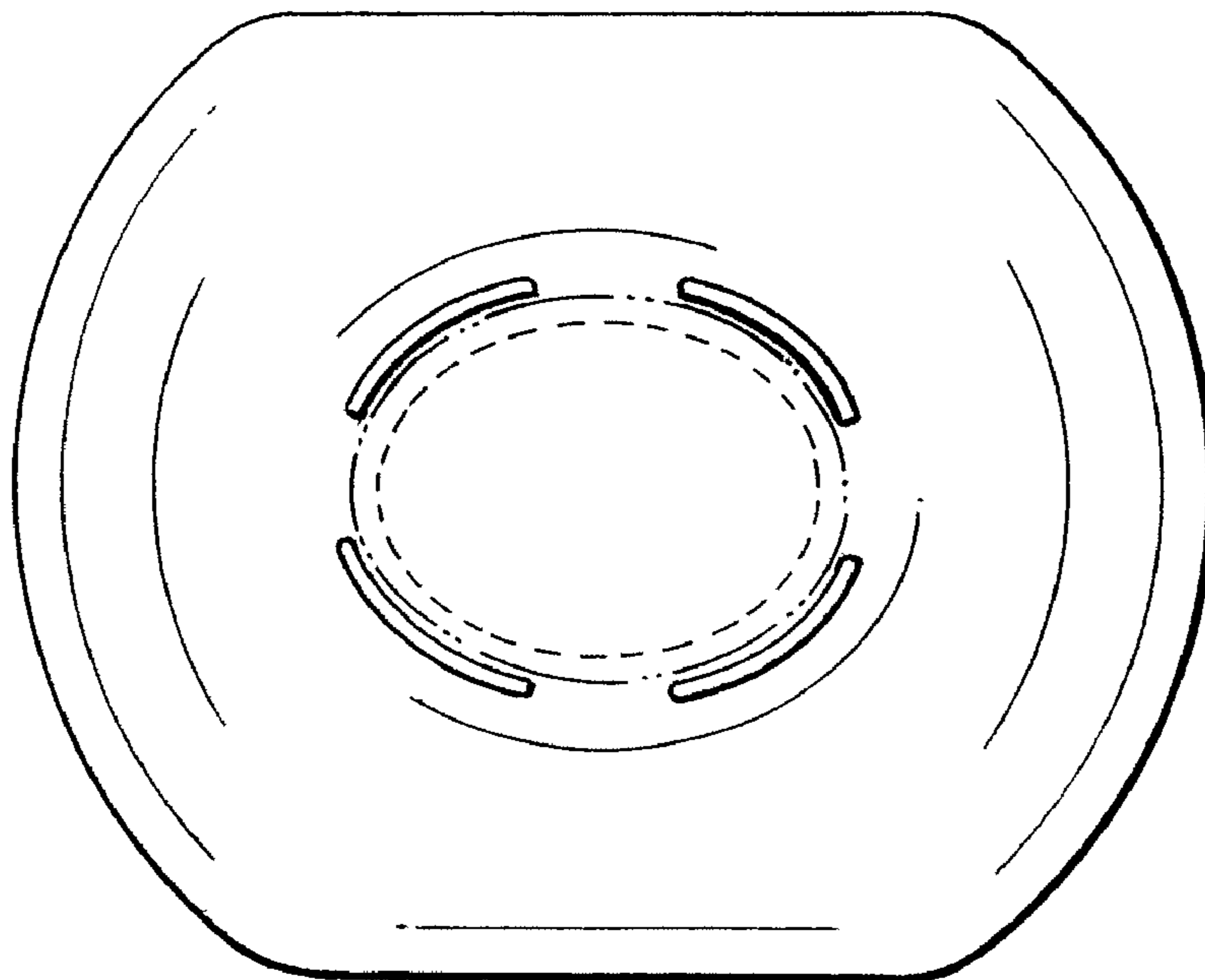


FIG. 6