



US00D652307S

(12) **United States Design Patent**
White et al.

(10) **Patent No.:** **US D652,307 S**
(45) **Date of Patent:** **** Jan. 17, 2012**

(54) **BOTTLE**

(75) Inventors: **Jeremy M. White**, Barrington, IL (US);
Switlana Wojcickyj, Chappaqua, NY
(US); **Stanley Hainsworth**, Sammamish,
WA (US); **Brent Lindberg**, DeKalb, IL
(US); **Matthew Schmunk**, Portland, OR
(US)

(73) Assignee: **Stokely-Van Camp, Inc.**, Chicago, IL
(US)

(**) Term: **14 Years**

(21) Appl. No.: **29/399,152**

(22) Filed: **Aug. 10, 2011**

Related U.S. Application Data

(62) Division of application No. 29/340,517, filed on Jul.
20, 2009, now Pat. No. Des. 644,929.

(51) **LOC (9) Cl.** **09-01**

(52) **U.S. Cl.** **D9/540; D9/552; D7/509**

(58) **Field of Classification Search** D9/516,
D9/537-540, 549, 552-553, 556-558, 565,
D9/571; 215/381-385; D7/509-511, 396.2
See application file for complete search history.

(56) **References Cited**

U.S. PATENT DOCUMENTS

D350,457 S *	9/1994	Bailey	D7/509 X
D379,154 S	5/1997	Cox		
D389,744 S	1/1998	Noe et al.		
5,704,504 A *	1/1998	Bueno	215/382 X
D399,431 S	10/1998	de Baschmakoff		
D420,291 S	2/2000	Gnann et al.		
D425,796 S	5/2000	Duranthon		
D428,813 S	8/2000	Haley		
D430,456 S *	9/2000	Thuma	D7/509
D431,735 S *	10/2000	Sullivan	D6/457
D437,774 S	2/2001	Piccioli et al.		

D438,099 S	2/2001	Piccioli et al.	
D438,455 S	3/2001	Bretz et al.	
D444,701 S	7/2001	Zboch et al.	
D446,112 S	8/2001	Bretz et al.	
D449,980 S	11/2001	Piccioli et al.	
D459,231 S	6/2002	Crawford et al.	
D459,232 S	6/2002	Crawford et al.	
D466,020 S	11/2002	Crawford et al.	
D466,415 S *	12/2002	Reis D9/552
D484,805 S	1/2004	Colangelo et al.	
D486,067 S	2/2004	Colangelo et al.	
D507,490 S	7/2005	Mero et al.	
D515,427 S	2/2006	Schuller et al.	
D524,165 S	7/2006	Scott	
D528,431 S	9/2006	Brandt et al.	
D530,214 S	10/2006	Scott	
D530,219 S	10/2006	Brandt et al.	
D535,567 S	1/2007	Snyder	
D540,680 S	4/2007	Perry et al.	
D545,203 S	6/2007	Perry et al.	
D550,096 S	9/2007	Zboch et al.	

(Continued)

Primary Examiner — Carol P Rademaker

(74) *Attorney, Agent, or Firm* — Banner & Witcoff, Ltd.

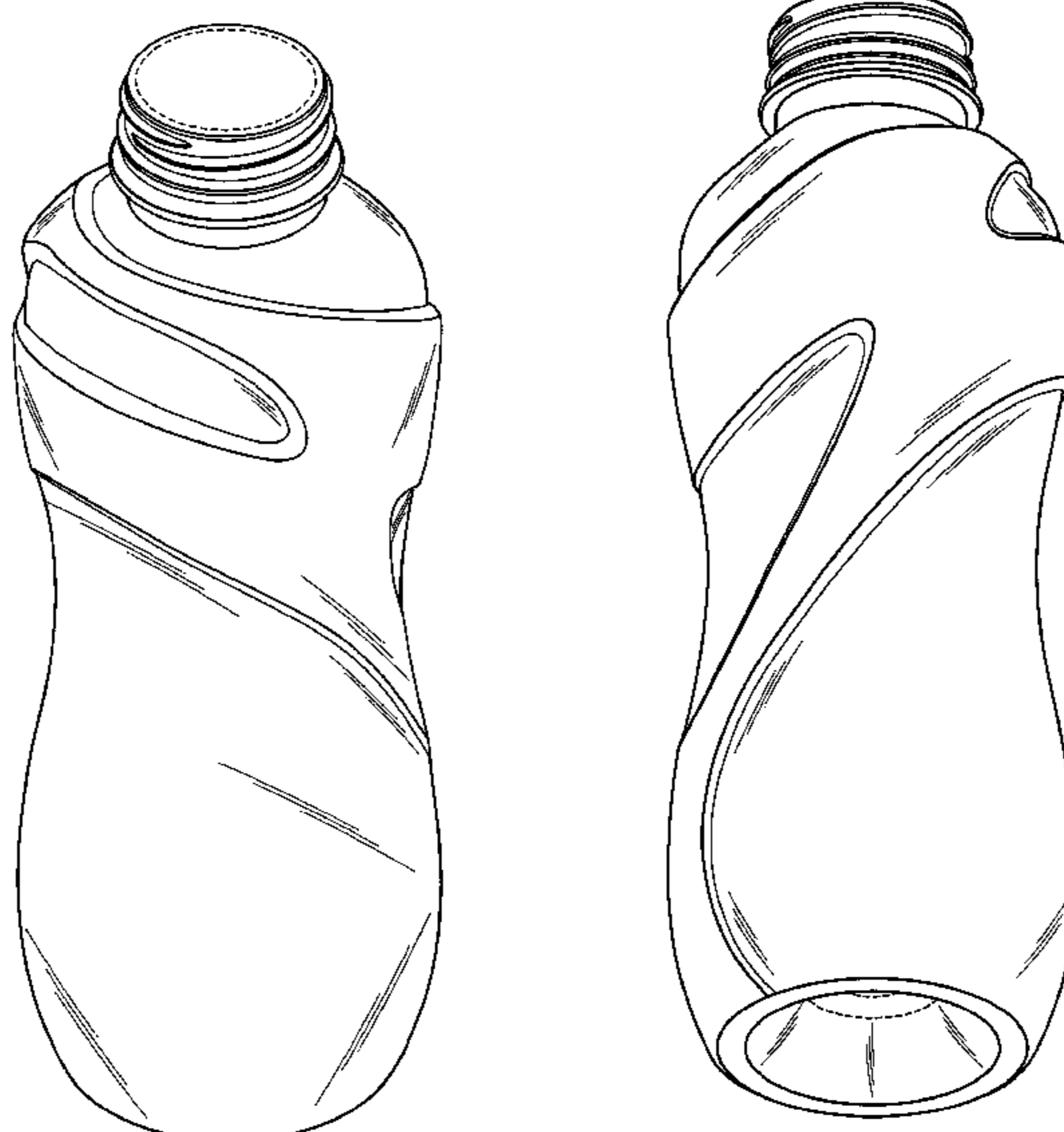
(57) **CLAIM**

The ornamental design for a bottle, as shown and described.

DESCRIPTION

FIG. 1 is a top, rear and right side perspective view of our new design;
FIG. 2 is a right side elevational view thereof;
FIG. 3 is a rear elevational view thereof;
FIG. 4 is a left side elevational view thereof;
FIG. 5 is a front elevational view thereof;
FIG. 6 is a top plan view thereof;
FIG. 7 is a bottom plan view thereof; and,
FIG. 8 is a bottom, front perspective view thereof.
The broken lines shown in the drawing views are included for the purpose of illustrating environmental structure and form no part of the claimed design.

1 Claim, 7 Drawing Sheets



US D652,307 S

Page 2

U.S. PATENT DOCUMENTS

D554,513 S	11/2007	Floyd et al.	
D554,514 S	11/2007	Floyd et al.	
D555,001 S	11/2007	Perry et al.	
D555,003 S	11/2007	Perry et al.	
D558,578 S	1/2008	Mongeon et al.	
D559,112 S	1/2008	Hyde et al.	
D561,596 S	2/2008	Hyde et al.	
D567,097 S	4/2008	Bourne	
D567,101 S	4/2008	Pierre	
D571,667 S	6/2008	Bourne	
D573,890 S	7/2008	Mongeon et al.	
D575,158 S	8/2008	Boon	
D575,161 S *	8/2008	Lepoitevin	D9/538
D581,285 S	11/2008	Lepoitevin	
D581,799 S	12/2008	Bourne	
D582,779 S	12/2008	Bourne	
D583,243 S	12/2008	Botti et al.	
D583,245 S	12/2008	Lepoitevin	
D584,628 S *	1/2009	Lepoitevin	D9/538
D585,700 S *	2/2009	Chu	D7/396.2
D589,817 S	4/2009	Shmagin	
D591,609 S	5/2009	Shmagin	
D591,610 S	5/2009	Shmagin	
D592,063 S	5/2009	Floyd et al.	
D592,069 S	5/2009	Kruparova	
D599,671 S	9/2009	Bourne	
D600,559 S	9/2009	Lepoitevin	
D601,031 S	9/2009	Martinez et al.	
D601,903 S	10/2009	Lepoitevin	
D602,363 S	10/2009	Chaffier	
D602,367 S	10/2009	Lepoitevin	
D602,370 S	10/2009	Bourne	
D602,782 S *	10/2009	Lepoitevin	D9/552 X
D602,783 S	10/2009	Lepoitevin	
D603,268 S	11/2009	Bourne	
D603,709 S	11/2009	Lepoitevin	
D603,711 S	11/2009	Lepoitevin	
D604,169 S	11/2009	Melossi	
D605,947 S *	12/2009	Debuire	D9/538
D609,105 S	2/2010	Tiefenback	
D612,243 S	3/2010	White et al.	
D623,012 S *	9/2010	White et al.	D7/396.2
D634,588 S *	3/2011	Cook et al.	D7/619.1
D643,735 S *	8/2011	Sherwood	D9/549
D644,927 S *	9/2011	White et al.	D9/516
D644,929 S *	9/2011	White et al.	D9/540
D644,930 S *	9/2011	White et al.	D9/552 X

* cited by examiner

Fig. 1



Fig. 2

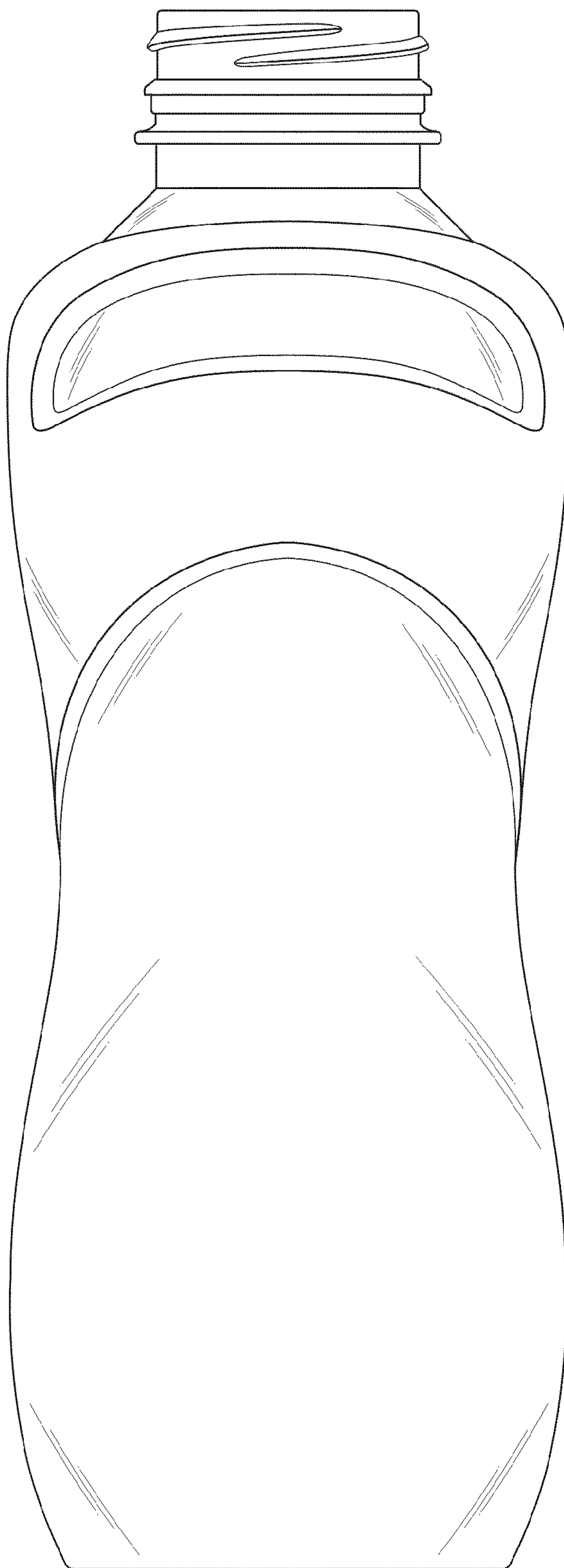


Fig. 3

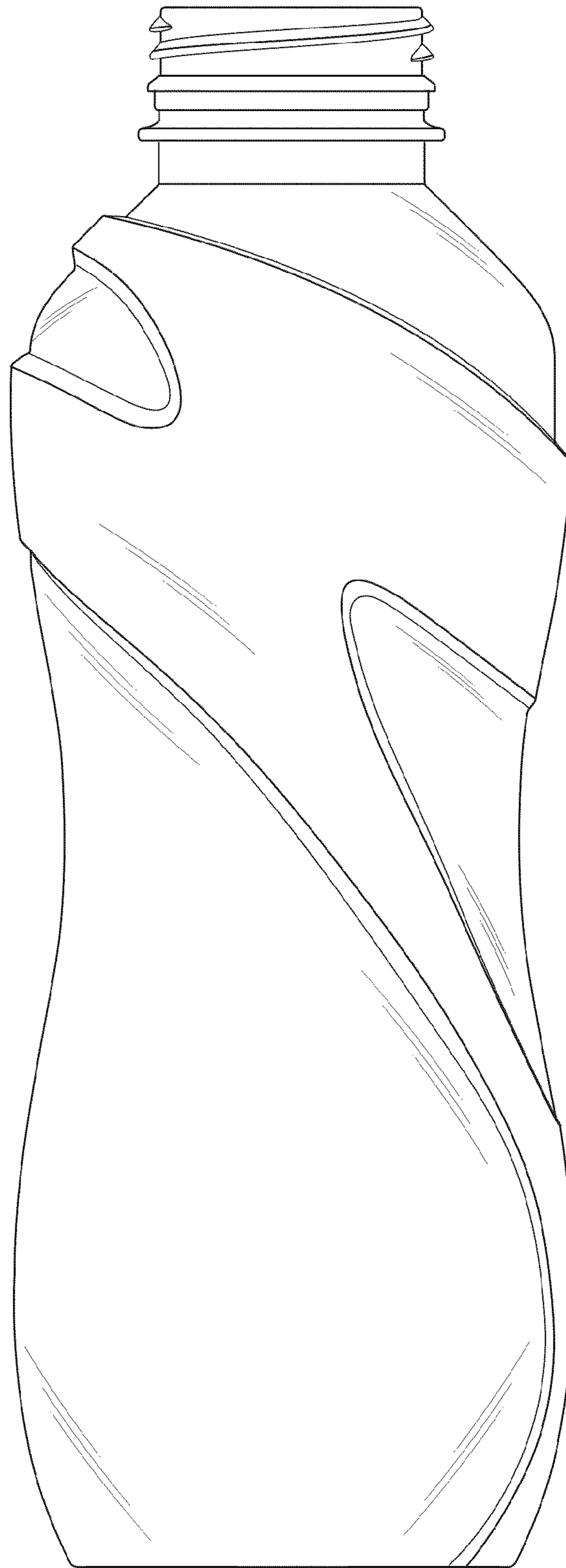


Fig. 4

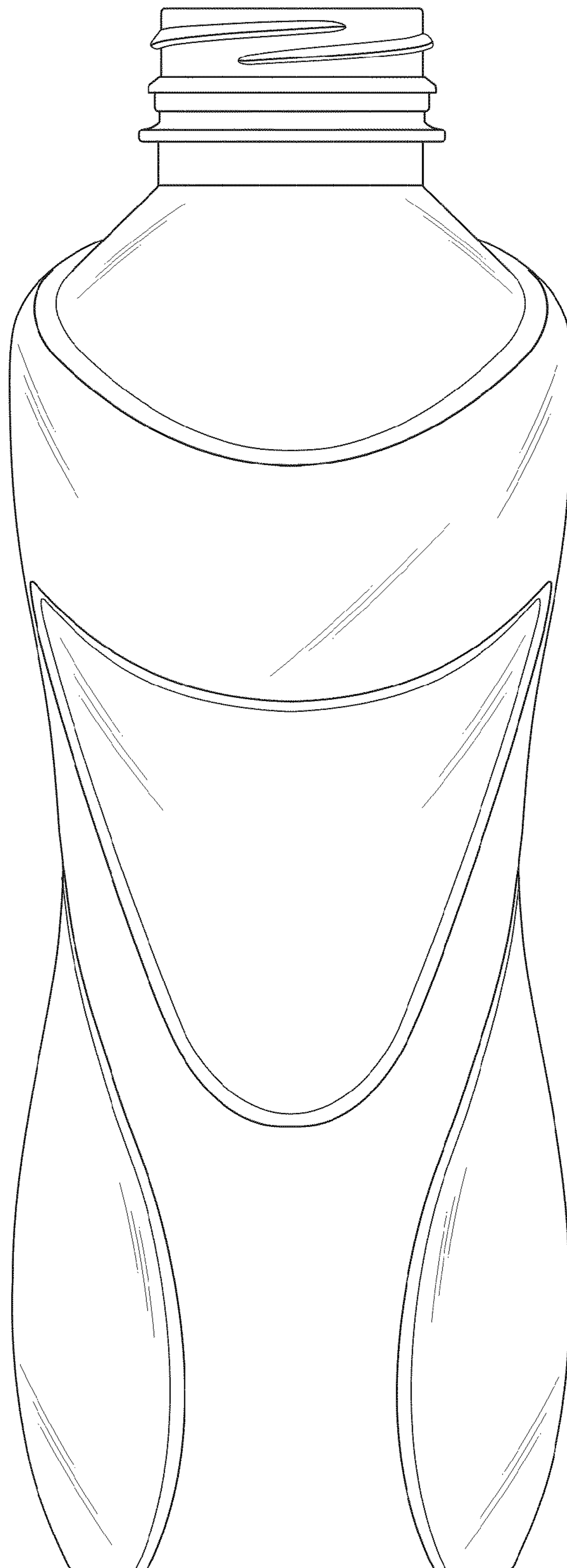


Fig. 5



Fig. 6

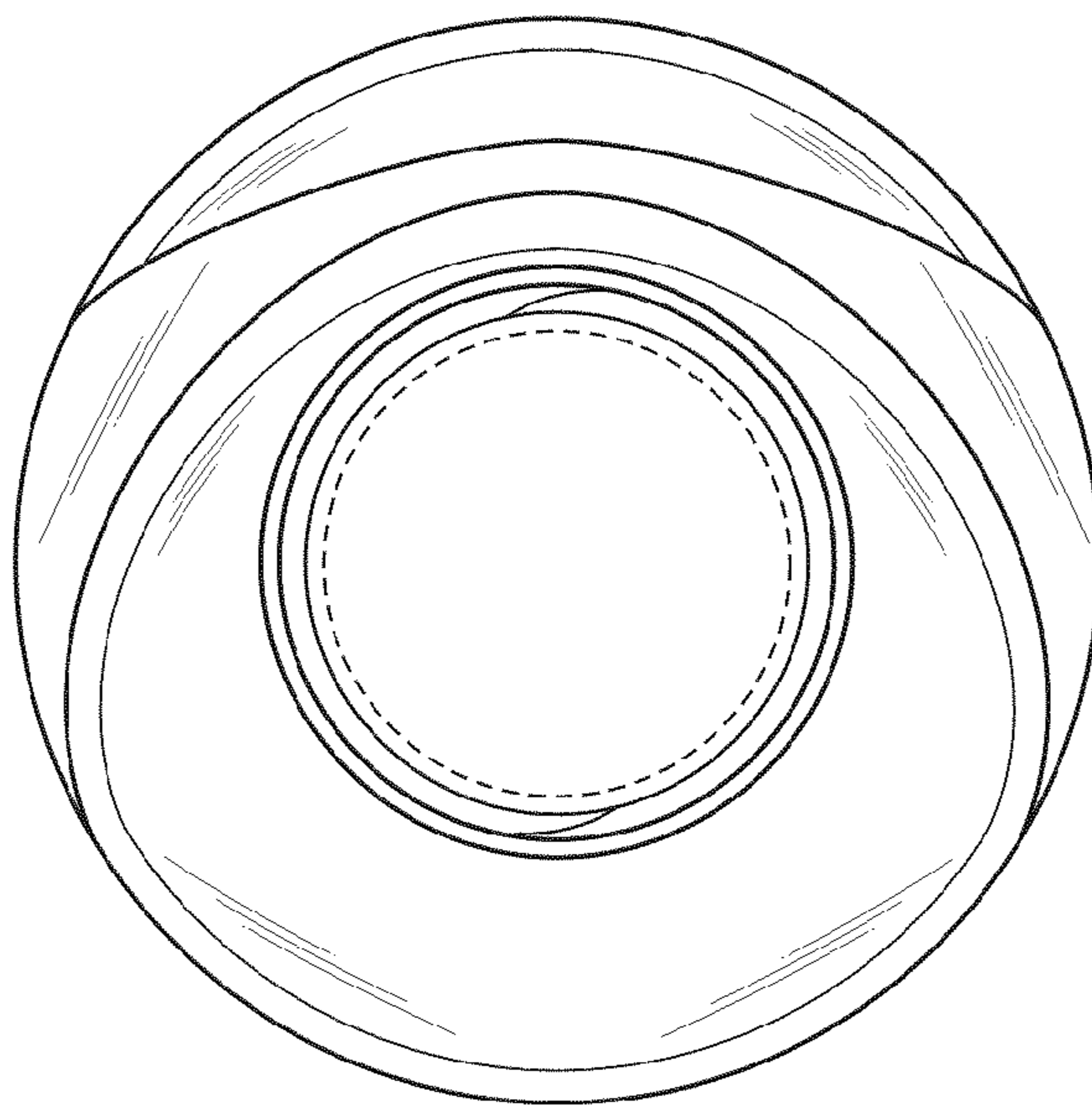


Fig. 7

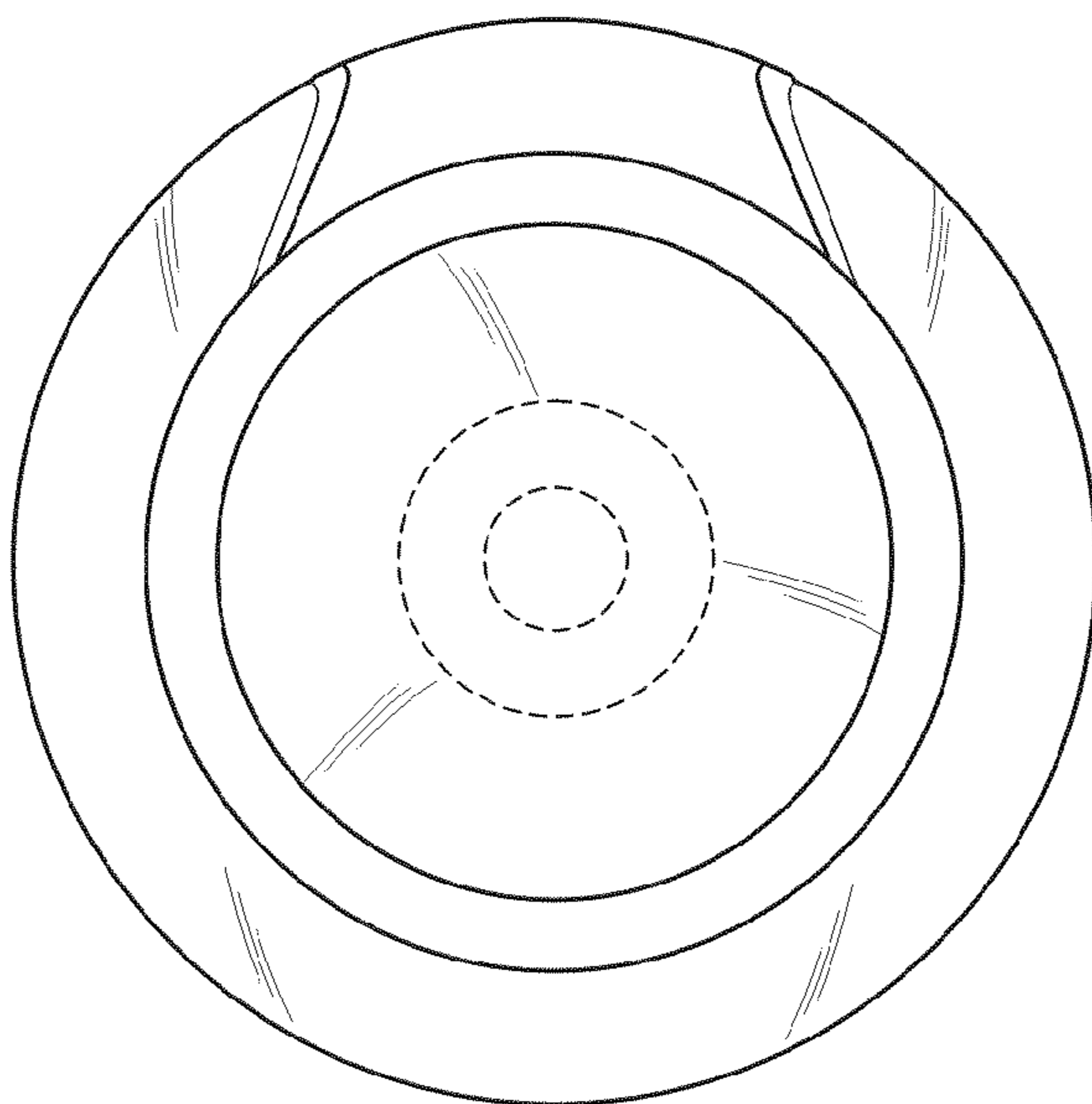


Fig. 8

