



US00D652299S

(12) **United States Design Patent**
Taylor

(10) **Patent No.:** **US D652,299 S**
(45) **Date of Patent:** **** Jan. 17, 2012**

(54) **FLUID PUMP**

(75) Inventor: **Curtis Taylor**, Chagrin Falls, OH (US)

(73) Assignee: **Magic Tap, LLC**, Cleveland, OH (US)

(**) Term: **14 Years**

(21) Appl. No.: **29/362,854**

(22) Filed: **Jun. 1, 2010**

(51) **LOC (9) Cl.** **09-07**

(52) **U.S. Cl.** **D9/448**

(58) **Field of Classification Search** D9/685,
D9/682, 456, 448, 447, 435, 434, 415; D6/542;
D23/227, 226, 213; 239/451, 337, 332; 222/556,
222/557, 402.1, 383.1, 333, 321.9, 281, 251,
222/182

See application file for complete search history.

(56) **References Cited**

U.S. PATENT DOCUMENTS

D137,234 S *	2/1944	Bury	D9/448
D202,226 S *	9/1965	Seaquist	D9/448
D221,523 S *	8/1971	Mason	D9/448
3,825,156 A	7/1974	Nobuo		
4,060,182 A	11/1977	Kikuchi		
4,646,798 A	3/1987	Yoo		
D333,787 S *	3/1993	Hirst et al.	D9/448
5,716,007 A	2/1998	Nottingham et al.		
5,921,445 A	7/1999	Schmitz et al.		
6,443,334 B1	9/2002	John et al.		
6,502,766 B1	1/2003	Streutker et al.		
D474,403 S *	5/2003	Fahy et al.	D9/448
D488,379 S *	4/2004	Healy et al.	D9/448
6,752,330 B2	6/2004	DiMaggio et al.		
6,981,658 B2	1/2006	Streutker et al.		
7,032,841 B1	4/2006	Swisher		
7,097,119 B2	8/2006	Hornsby et al.		
7,111,762 B2	9/2006	Saunders et al.		
7,191,920 B2	3/2007	Boll et al.		
7,246,755 B2	7/2007	Hornsby et al.		

7,318,539 B2	1/2008	Vitantonio et al.		
7,328,859 B2	2/2008	Hornsby et al.		
7,384,006 B2	6/2008	Hornsby et al.		
7,562,834 B2	7/2009	Hornsby et al.		
7,568,637 B2	8/2009	Hornsby et al.		
7,588,198 B2	9/2009	Hornsby et al.		
7,648,083 B2	1/2010	Hornsby et al.		
7,681,765 B2	3/2010	Muderlak		
7,766,194 B2	8/2010	Boll et al.		
2004/0050875 A1	3/2004	Kobayashi		
2007/0000941 A1	1/2007	Hadden et al.		
2009/0159723 A1	6/2009	Hornsby et al.		
2010/0147701 A1	6/2010	Field		
2010/0308083 A1 *	12/2010	Taylor	222/333
2011/0048959 A1	3/2011	Field		

FOREIGN PATENT DOCUMENTS

JP	2000-168862	6/2000
WO	WO 91/02684	3/1991

* cited by examiner

Primary Examiner — Susan Bennett Hattan

(74) *Attorney, Agent, or Firm* — Fay Sharpe LLP; Brian E. Turung

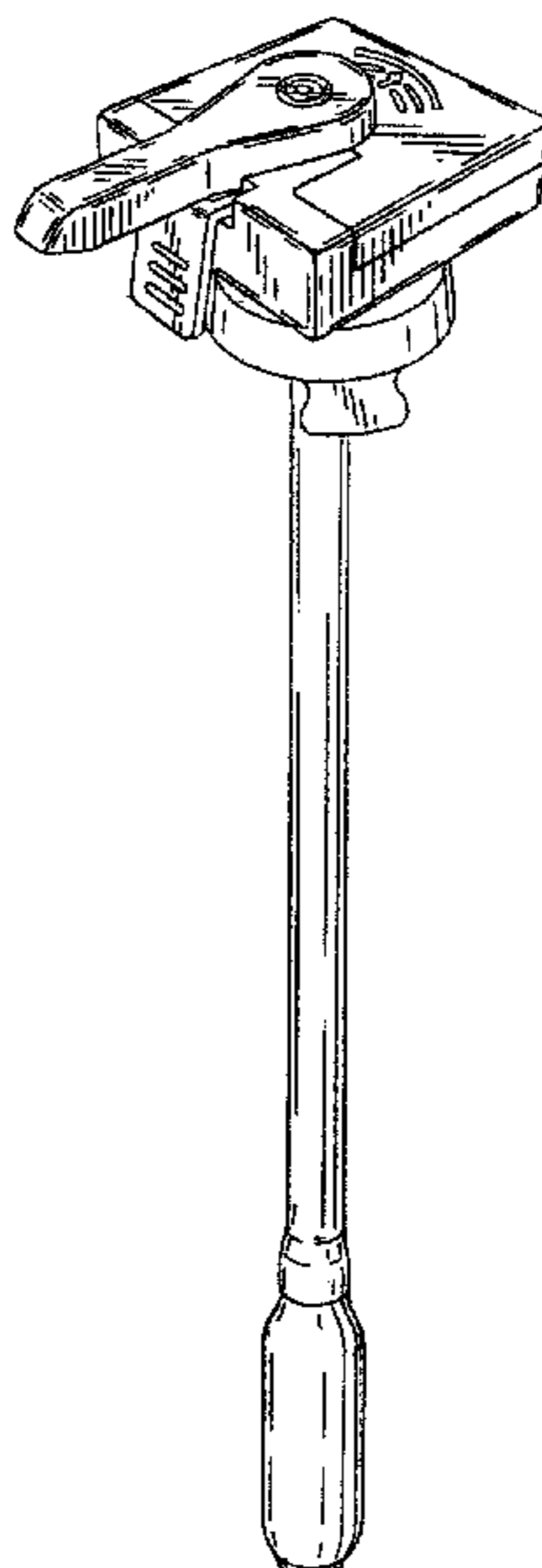
(57) **CLAIM**

The ornamental design for a fluid pump, as shown and described.

DESCRIPTION

FIG. 1 is a perspective view of a fluid pump showing my new design;
FIG. 2 is a front view of a fluid pump showing my new design;
FIG. 3 is a side view of a fluid pump showing my new design;
FIG. 4 is a back view of the fluid pump showing my new design;
FIG. 5 is a top view of the fluid pump showing my new design;
and,
FIG. 6 is a bottom view of the fluid pump showing my new design.

1 Claim, 3 Drawing Sheets



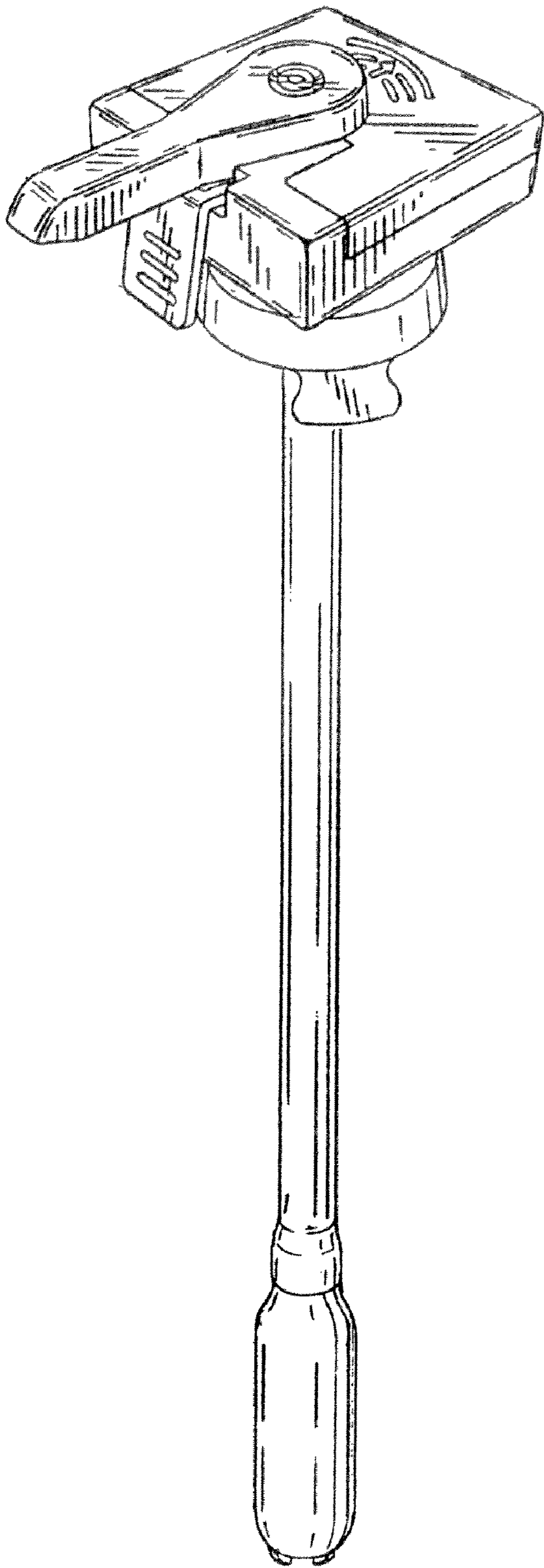


FIG. 1

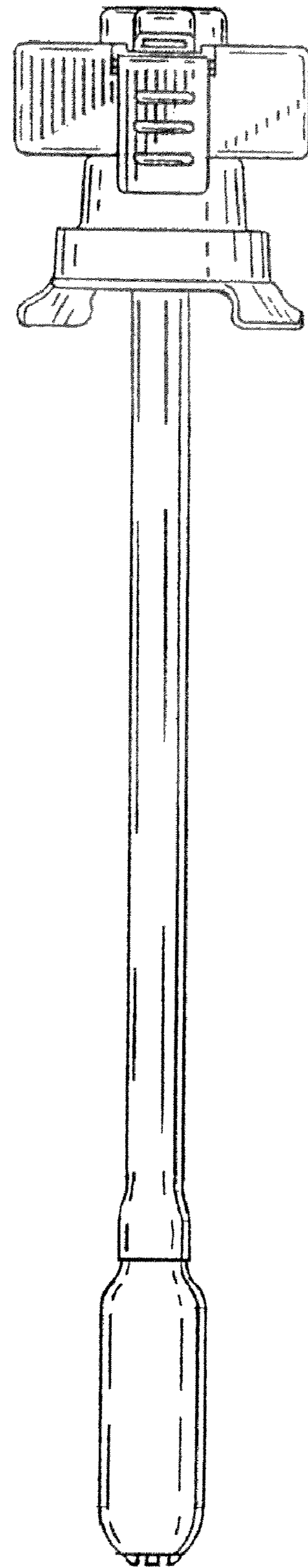


FIG. 2

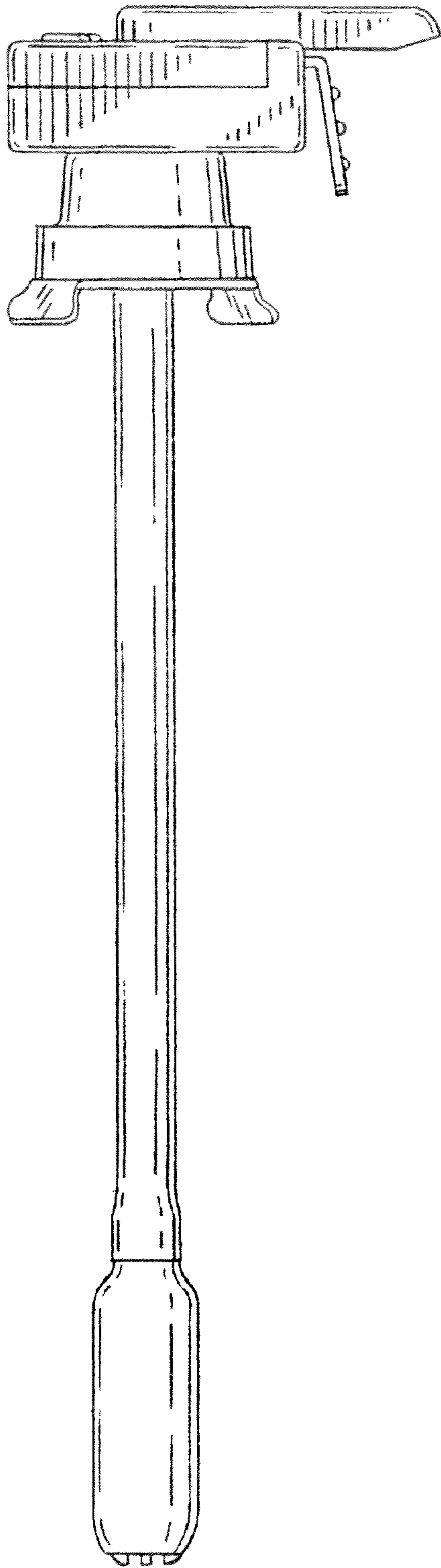


FIG. 3

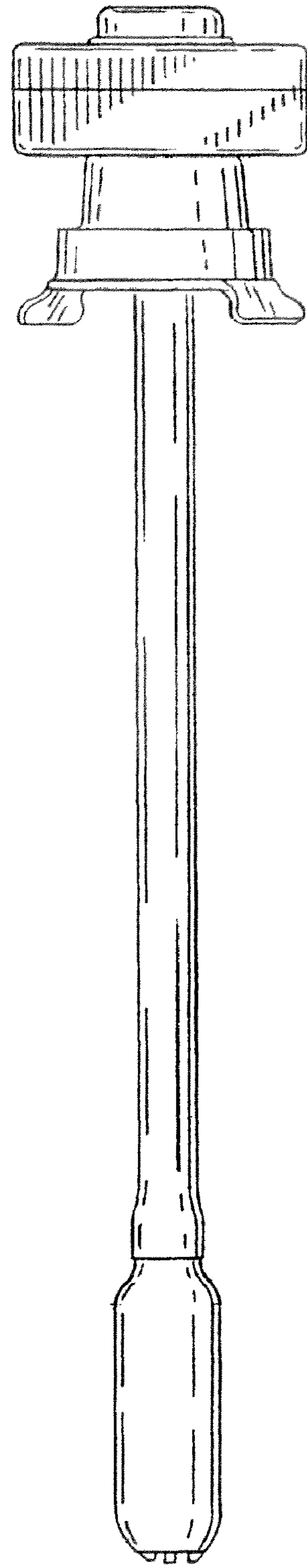


FIG. 4

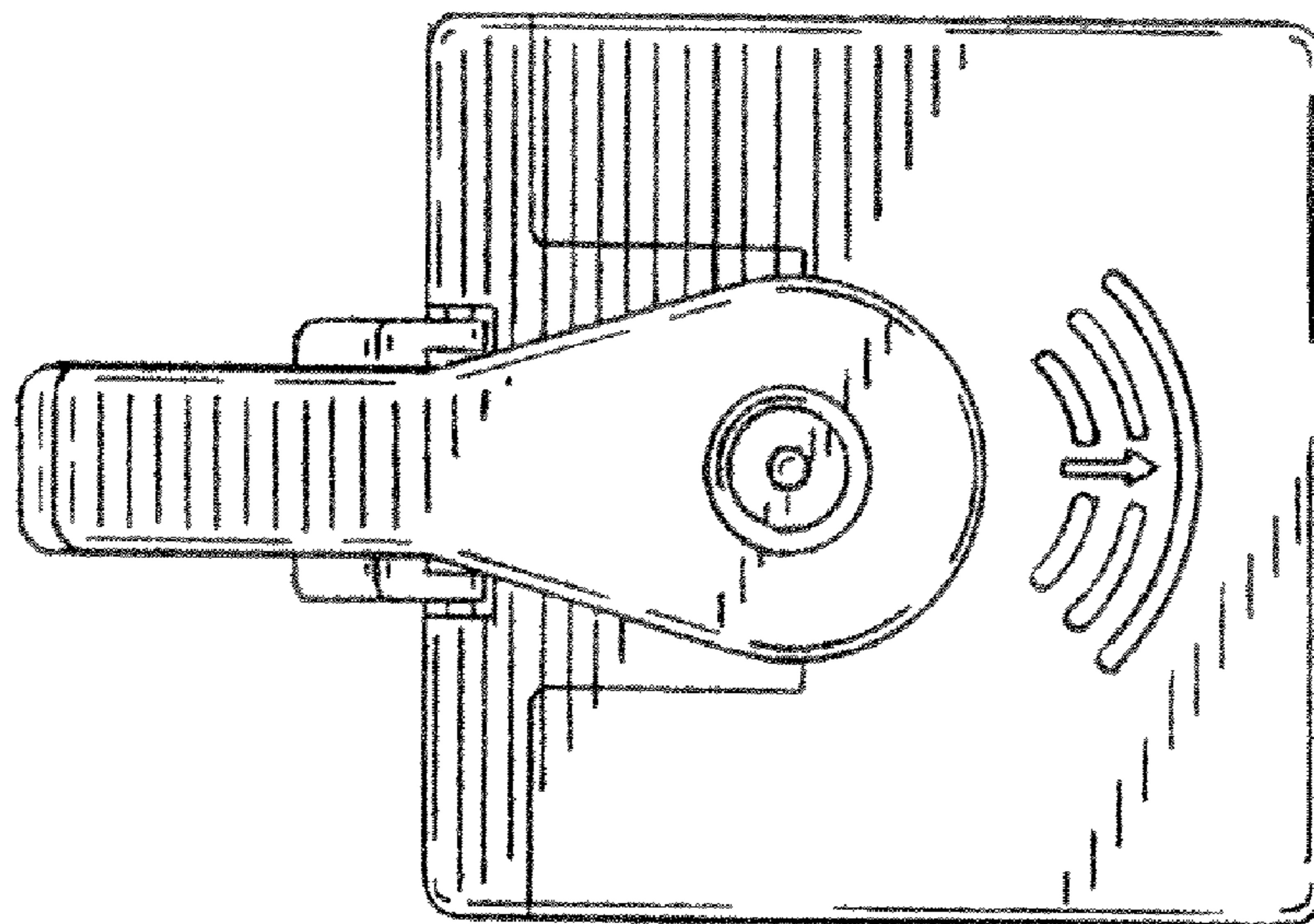


FIG. 5

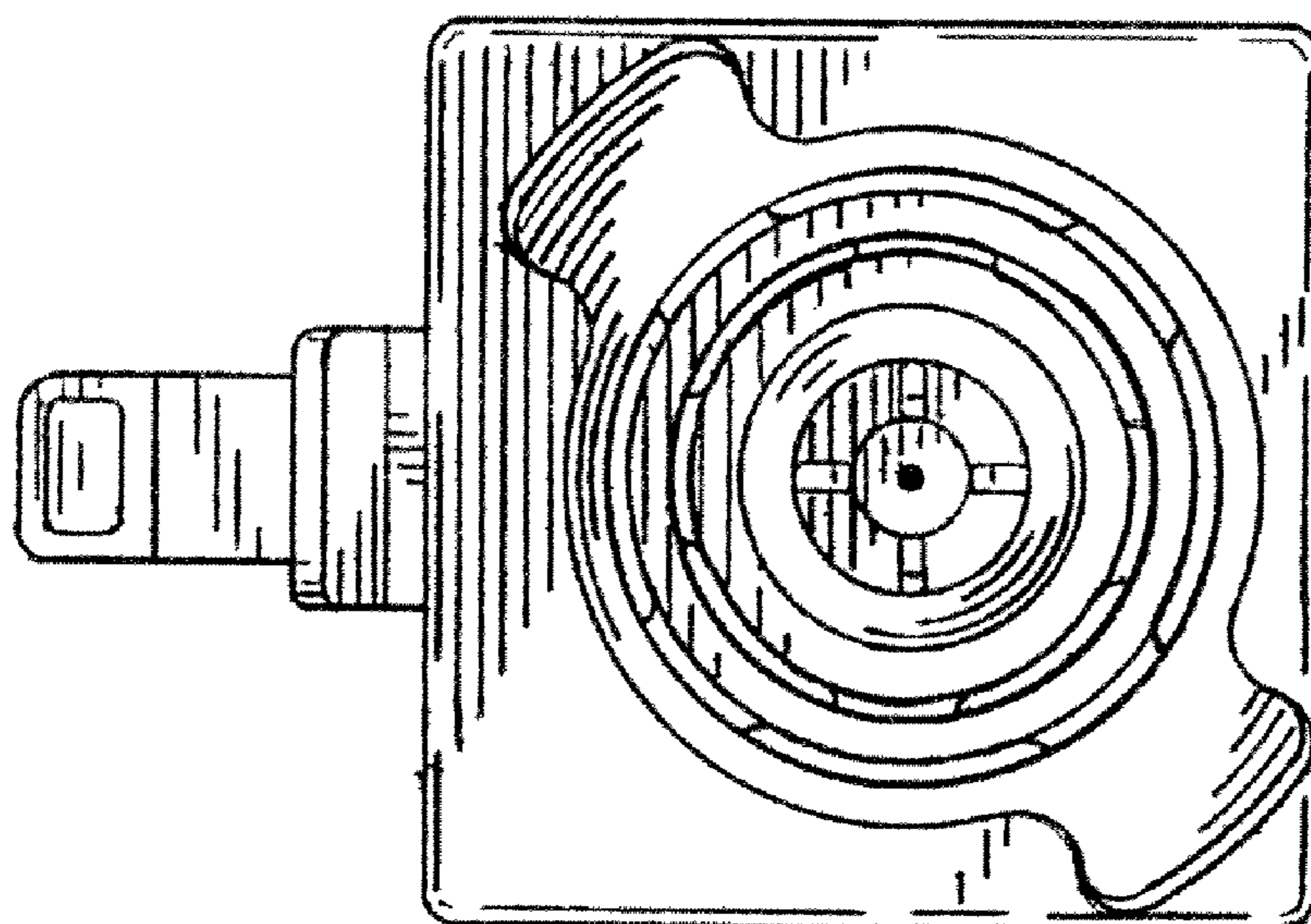


FIG. 6