



US00D652295S

(12) **United States Design Patent**
Hipperson et al.

(10) **Patent No.:** **US D652,295 S**
(45) **Date of Patent:** **** Jan. 17, 2012**

(54) **BLANK FOR PACKAGING**
(76) Inventors: **Robert Hipperson**, Macclesfield (GB);
Sebastien Corvez, Dunkirk (FR); **Mark Kraaijenbrink**, Dunkirk (FR)

D257,718 S * 12/1980 Dutcher D9/432
D259,024 S * 4/1981 Roccaforte et al. D9/432
D259,401 S * 6/1981 Manning D9/432
D260,000 S * 7/1981 Roccaforte D9/433
D284,552 S * 7/1986 Weaver D9/433
D494,467 S * 8/2004 Ohno D9/433

(**) Term: **14 Years**
(21) Appl. No.: **29/381,671**
(22) Filed: **Dec. 22, 2010**

OTHER PUBLICATIONS

European Community Design Registration No. 000653233-0001,
published in the Community Designs Bulletin No. 2007/018 on Feb.
13, 2007 (4 pages).
European Community Design Registration No. 000653233-0002,
published in the Community Designs Bulletin No. 2007/018 on Feb.
13, 2007 (3 pages).

(30) **Foreign Application Priority Data**
Jul. 1, 2010 (EM) 001727058-0002

* cited by examiner

(51) **LOC (9) Cl.** **09-03**
(52) **U.S. Cl.** **D9/433**
(58) **Field of Classification Search** D9/433,
D9/414, 420, 430-432, 499; 206/1.5, 223,
206/527, 784; 229/100, 124, 126, 800, 125.37;
220/62, 890, 836, 837
See application file for complete search history.

Primary Examiner — Thomas Johannes
(74) *Attorney, Agent, or Firm* — Finnegan, Henderson,
Farabow, Garrett & Dunner, LLP

(57) **CLAIM**
The ornamental design for a blank for packaging, as shown
and described.

(56) **References Cited**

DESCRIPTION

U.S. PATENT DOCUMENTS

D132,923 S * 6/1942 McIntosh D9/433
2,496,043 A * 1/1950 Farrell 229/5.5
3,911,798 A * 10/1975 Whyte 493/111

FIG. 1 is a plan view of one side of a blank for packaging; and,
FIG. 2 is is a plan view of the other side of the blank for
packaging of FIG. 1.

1 Claim, 2 Drawing Sheets

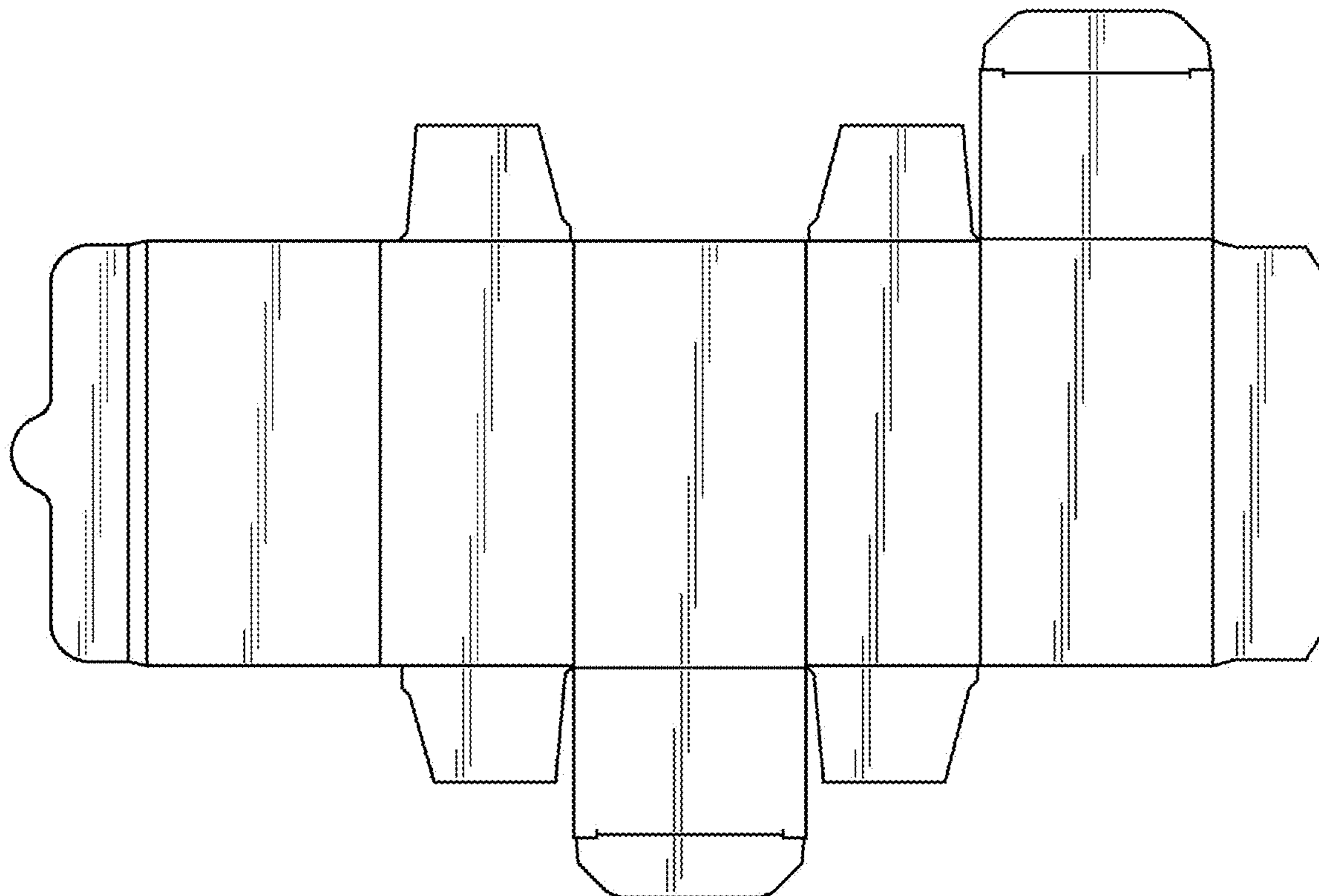


Figure 1

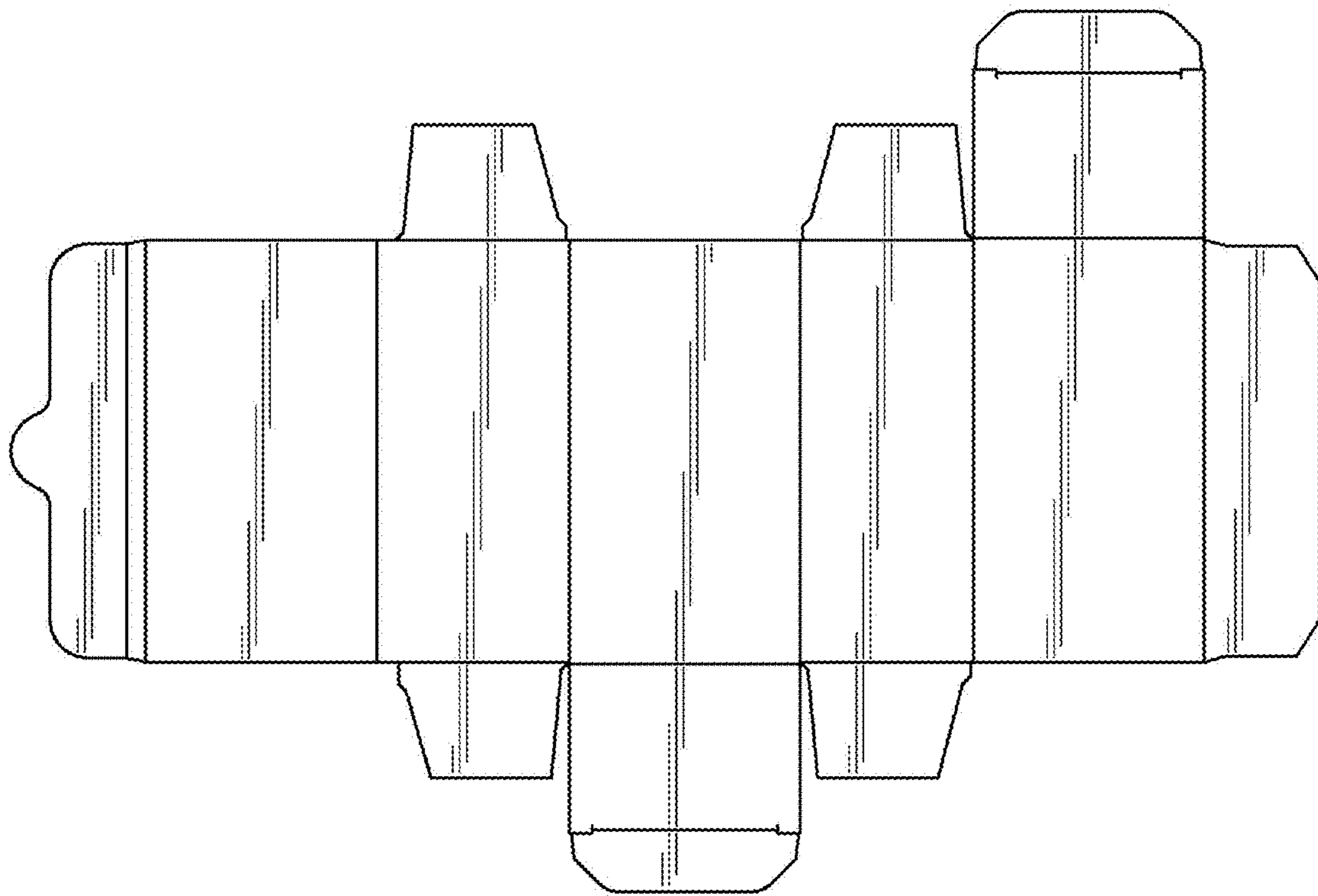


Figure 2

