



US00D652294S

(12) **United States Design Patent**  
**Seneca et al.**

(10) **Patent No.:** **US D652,294 S**

(45) **Date of Patent:** **\*\* Jan. 17, 2012**

(54) **PACKAGING**

(75) Inventors: **Tracy Marie Seneca**, Burbank, CA  
(US); **Kevin Chung**, Burbank, CA (US)

(73) Assignee: **Disney Enterprises, Inc.**, Burbank, CA  
(US)

(\*\*) Term: **14 Years**

(21) Appl. No.: **29/363,508**

(22) Filed: **Jun. 10, 2010**

(51) **LOC (9) Cl.** ..... **09-03**

(52) **U.S. Cl.** ..... **D9/433**; D9/721; D9/418

(58) **Field of Classification Search** ..... D9/715,  
D9/721, 722, 737, 414, 415, 418, 420, 423,  
D9/432, 433, 434, 435, 436, 346; 206/320,  
206/387.1, 387.13, 461-471, 775, 776, 781,  
206/782, 562-564, 588-592; 229/160.2,  
229/23 TB

See application file for complete search history.

(56) **References Cited**

**U.S. PATENT DOCUMENTS**

D268,098 S *	3/1983	Brown	.....	D9/418
D310,588 S *	9/1990	Valinsky	.....	D30/161
D327,004 S *	6/1992	Nadel	.....	D9/522
D339,059 S *	9/1993	Koehler	.....	D9/737
D339,063 S *	9/1993	Simon	.....	D9/433
D371,072 S *	6/1996	Baker et al.	.....	D9/433
D381,692 S *	7/1997	Lovell	.....	D19/91
D382,797 S *	8/1997	House	.....	D9/433
D383,064 S *	9/1997	Tsukikawa	.....	D9/432
D386,406 S *	11/1997	House	.....	D9/433
5,794,631 A *	8/1998	Sylvester	.....	206/387.1
D431,775 S *	10/2000	Plattner et al.	.....	D9/415
D454,062 S *	3/2002	Garrant et al.	.....	D9/415
D484,046 S *	12/2003	Kopecky	.....	D9/432

D592,047 S *	5/2009	Glass	.....	D9/423
7,634,895 B2 *	12/2009	Chan	.....	53/449
D625,598 S *	10/2010	Ruth	.....	D9/423

\* cited by examiner

*Primary Examiner* — Thomas Johannes

(74) *Attorney, Agent, or Firm* — FERENCE & ASSOCIATES LLC

(57) **CLAIM**

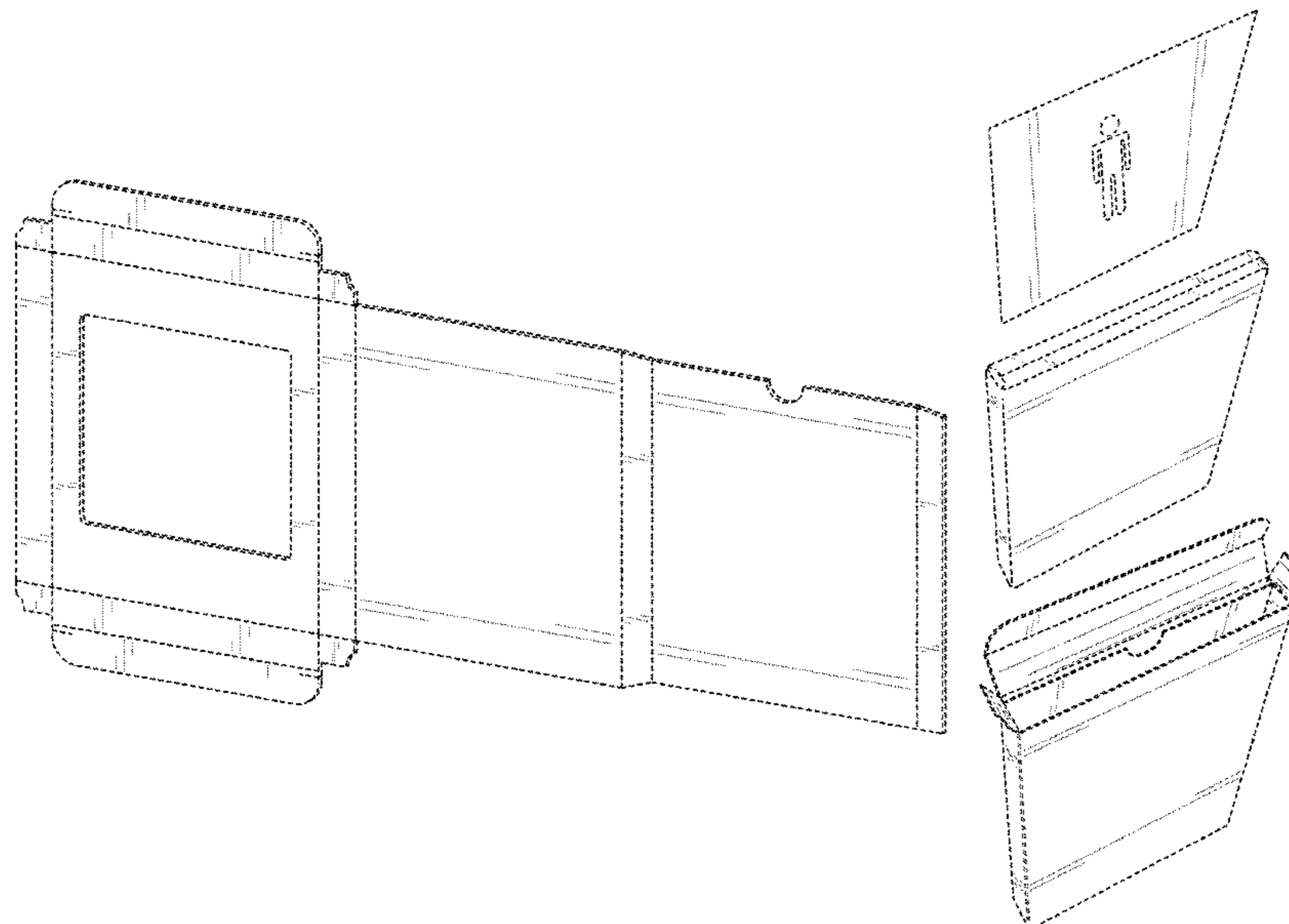
The ornamental design for packaging, as shown and described.

**DESCRIPTION**

FIG. 1 is a perspective view of an unassembled configuration of packaging showing our new design; FIG. 2 is a front elevation view thereof; FIG. 3 is a rear elevation view thereof; FIG. 4 is a left elevation view thereof; FIG. 5 is a right elevation view thereof; FIG. 6 is a top plan view thereof; FIG. 7 is a bottom plan view thereof; FIG. 8 is a first perspective view of an assembled configuration thereof; FIG. 9 is a second perspective view thereof; FIG. 10 is a front elevation view thereof; FIG. 11 is a rear elevation view thereof; FIG. 12 is a left elevation view thereof; FIG. 13 is a right elevation view thereof; FIG. 14 is a top plan view thereof; FIG. 15 is a bottom plan view thereof; FIG. 16 is a top plan view thereof with the top open showing dual compartments within; FIG. 17 is a perspective view thereof; and, FIG. 18 is a perspective view thereof and two objects to be contained within.

The broken line portion of the figure drawings is included to show unclaimed subject matter only and forms no part of the claimed design.

**1 Claim, 13 Drawing Sheets**



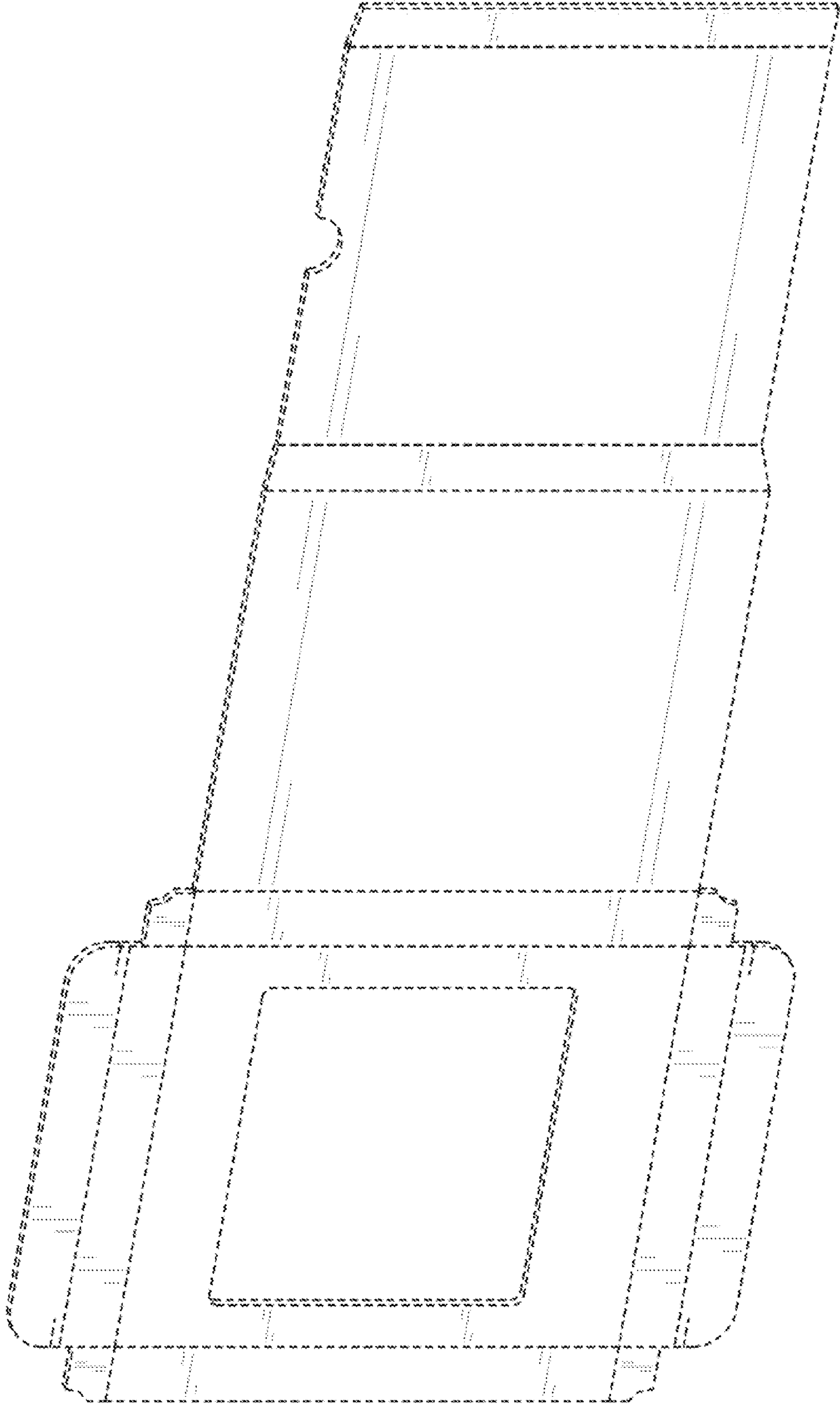


FIG. 1

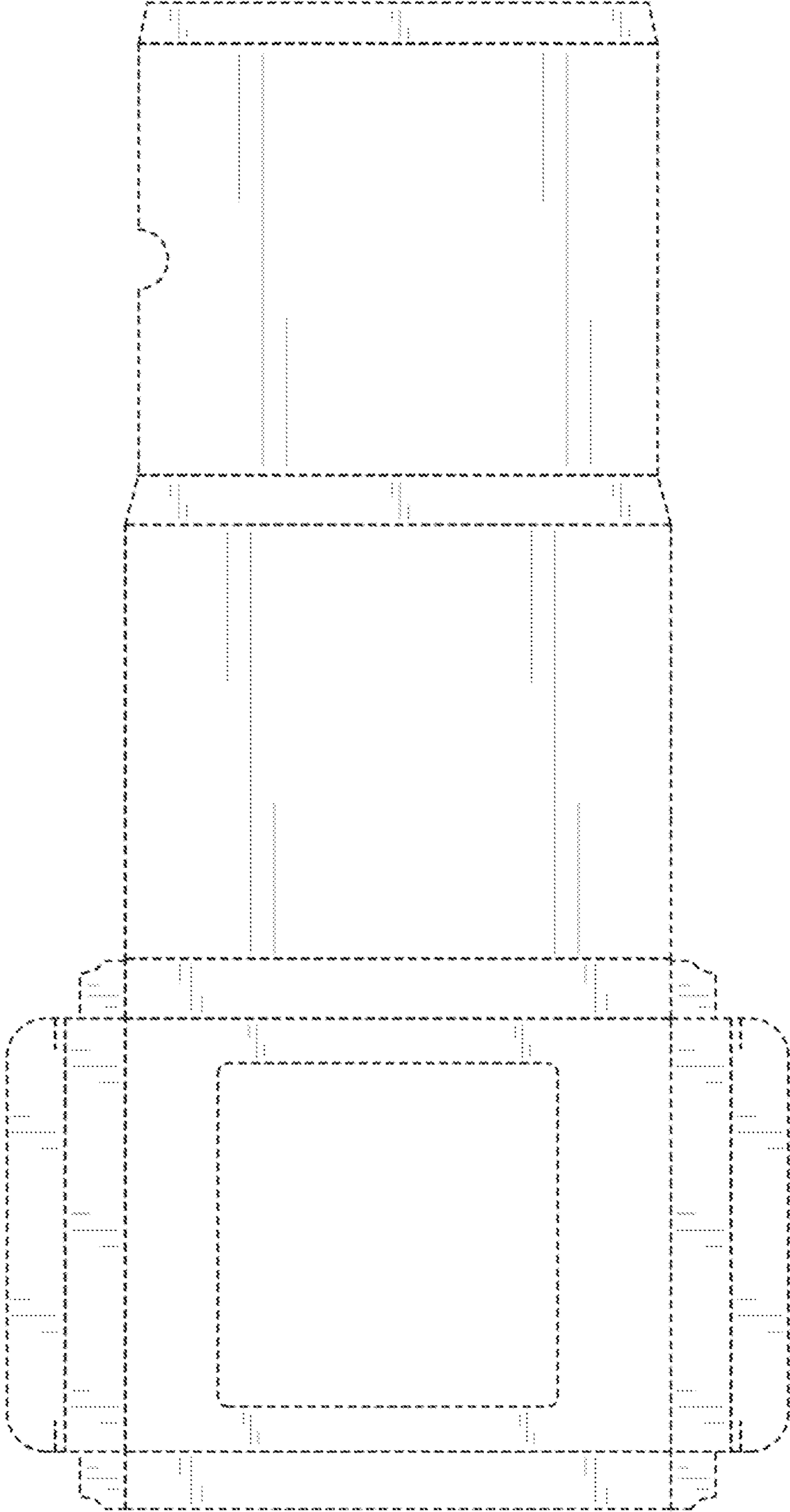


FIG. 2

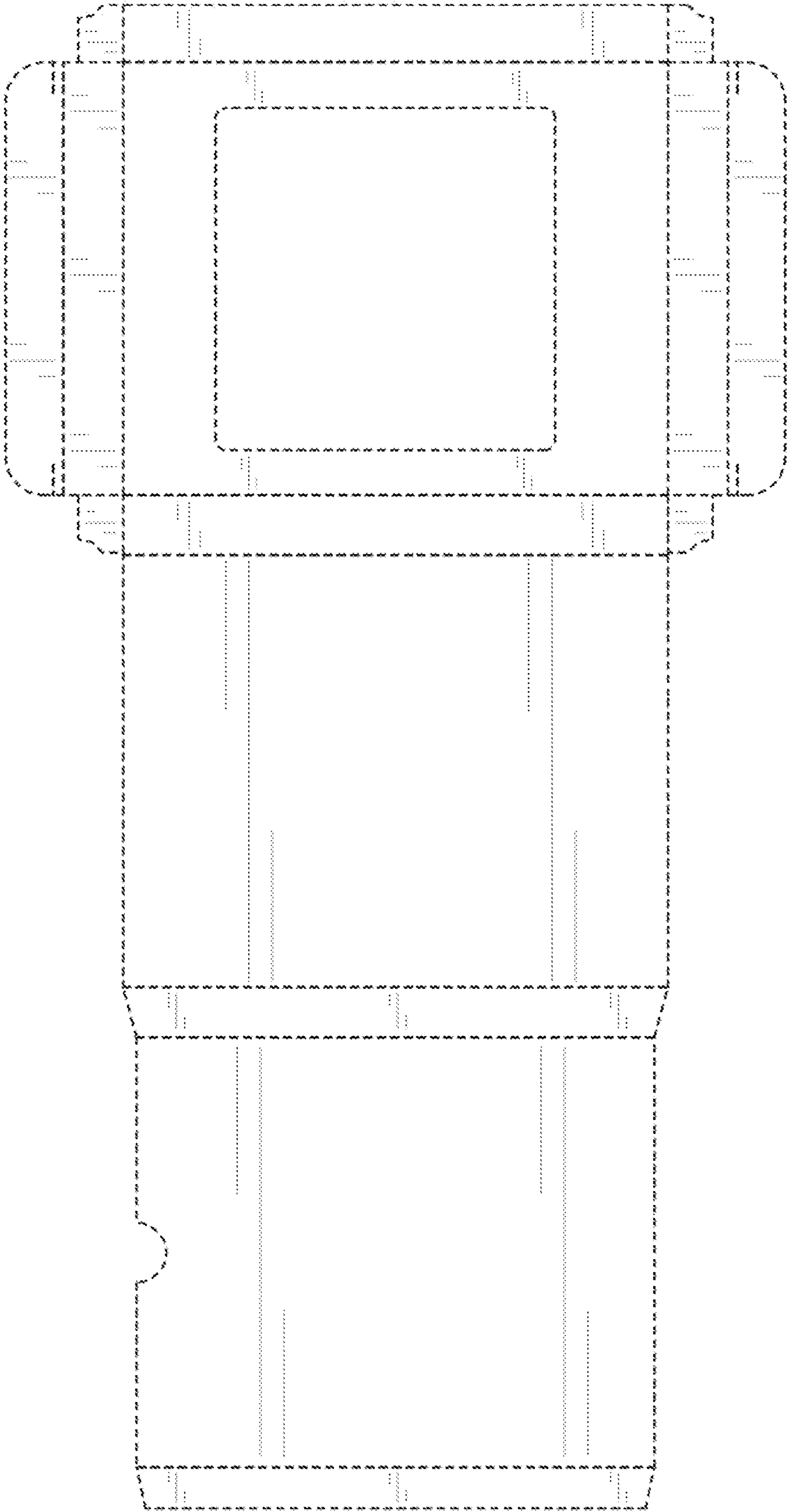


FIG. 3

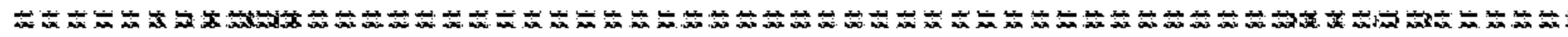


FIG. 5



FIG. 4

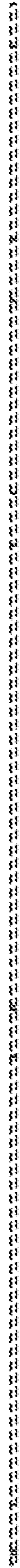


FIG. 6

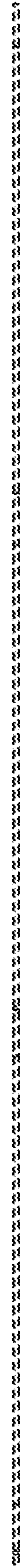


FIG. 7



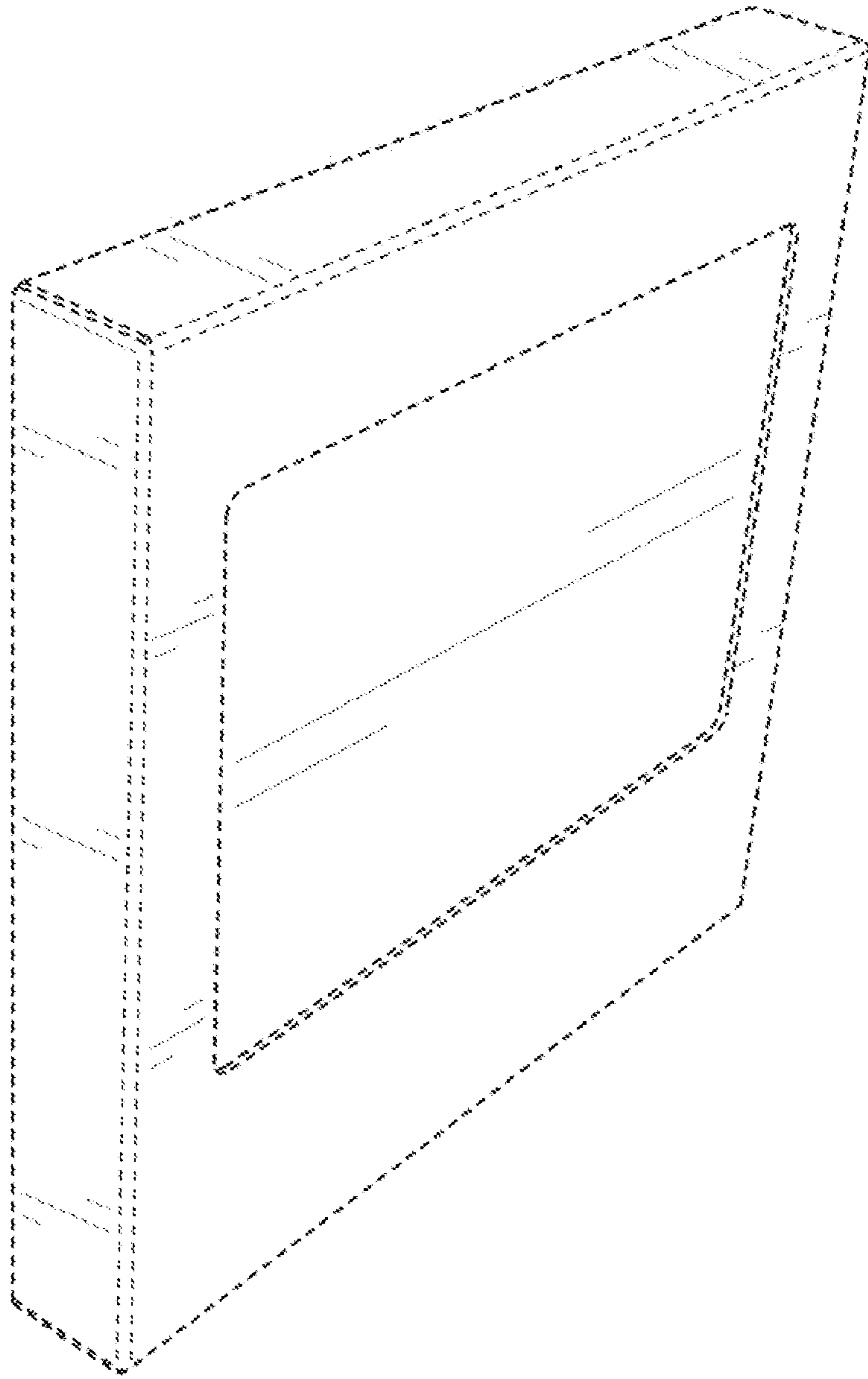


FIG. 8

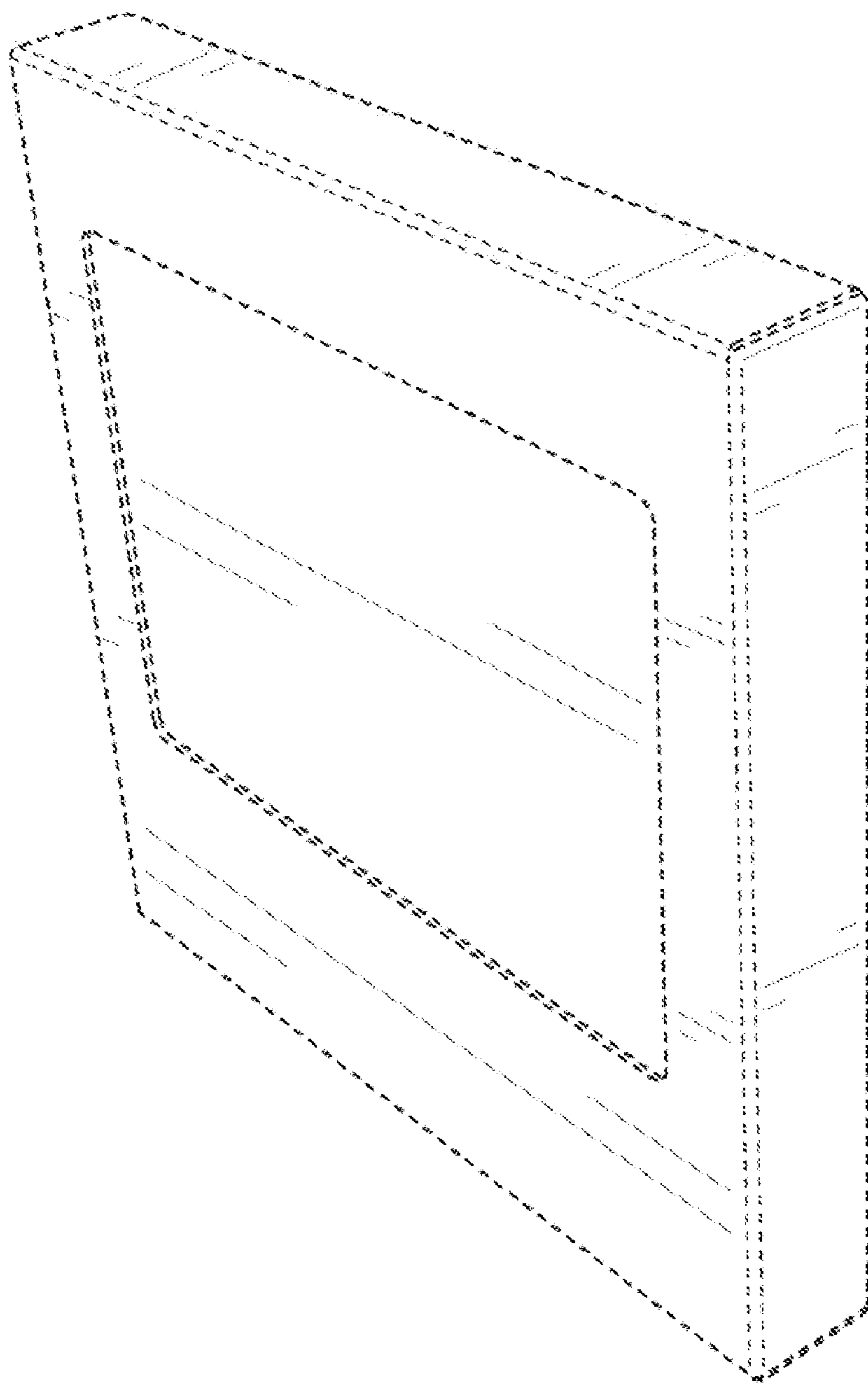


FIG. 9



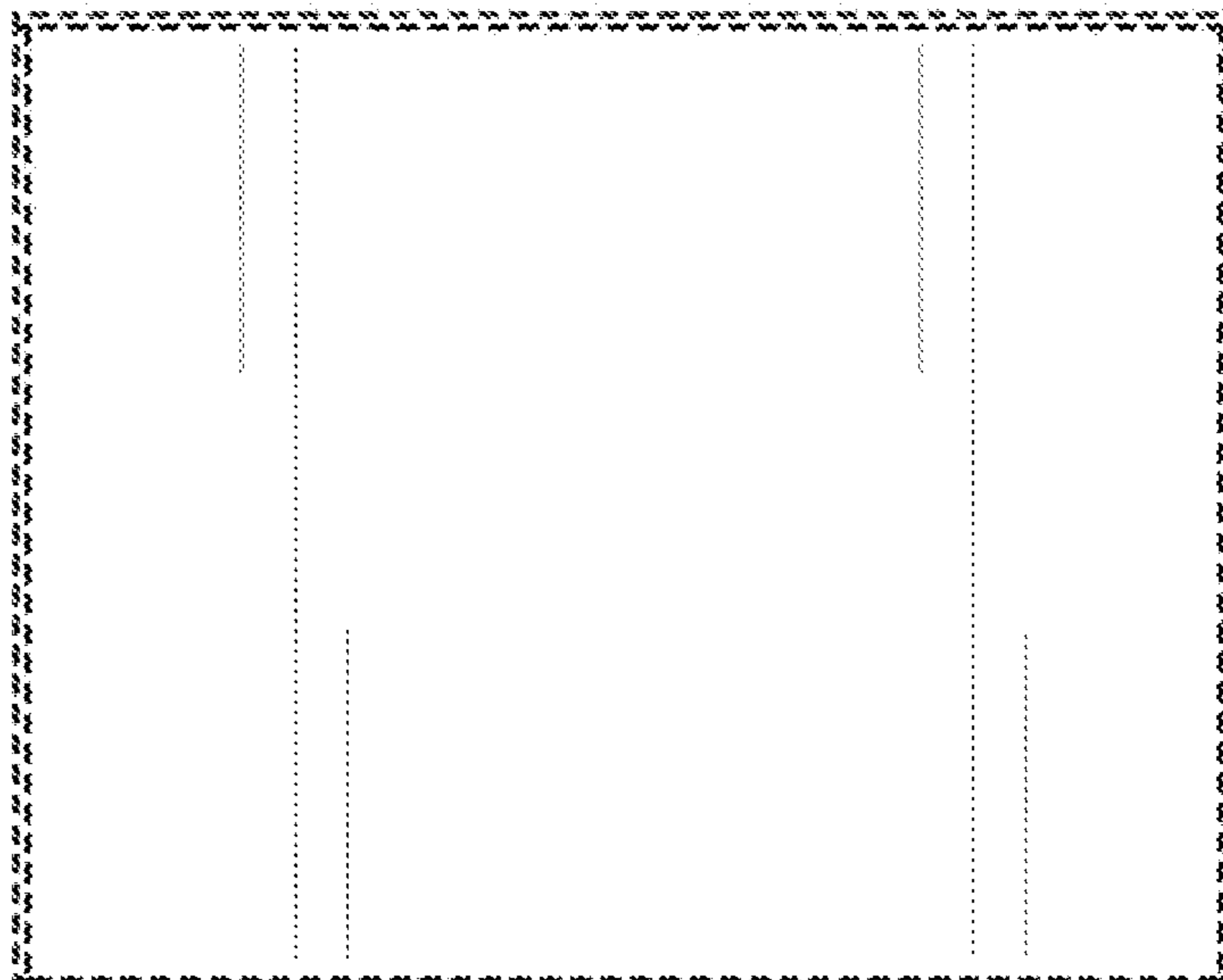


FIG. 11

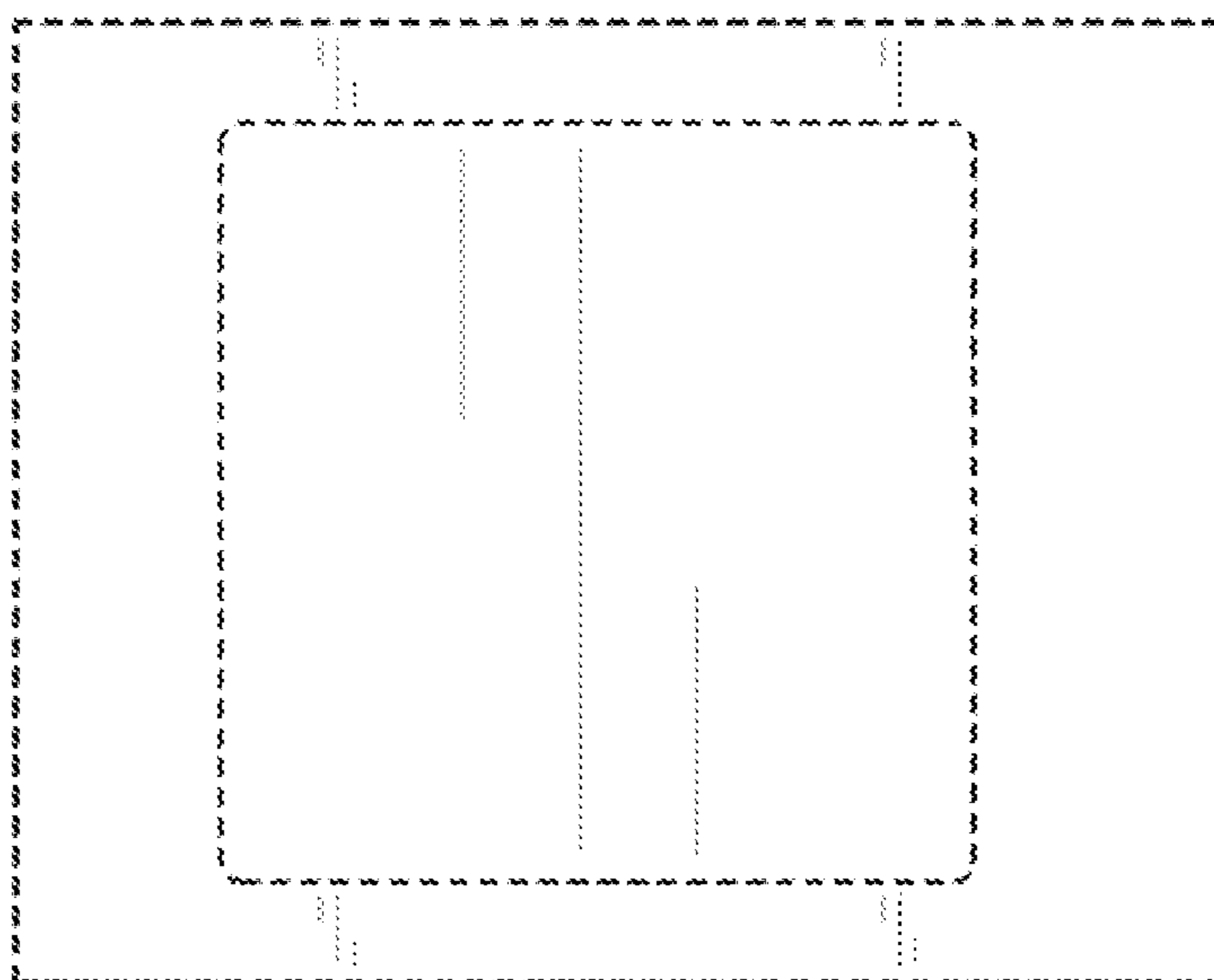


FIG. 10

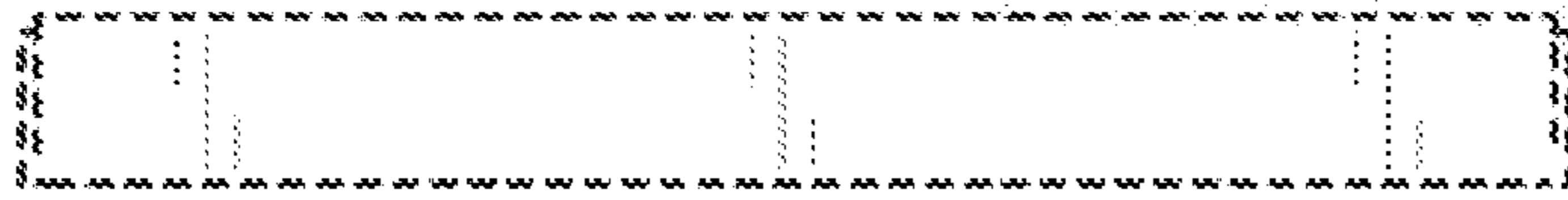


FIG. 12

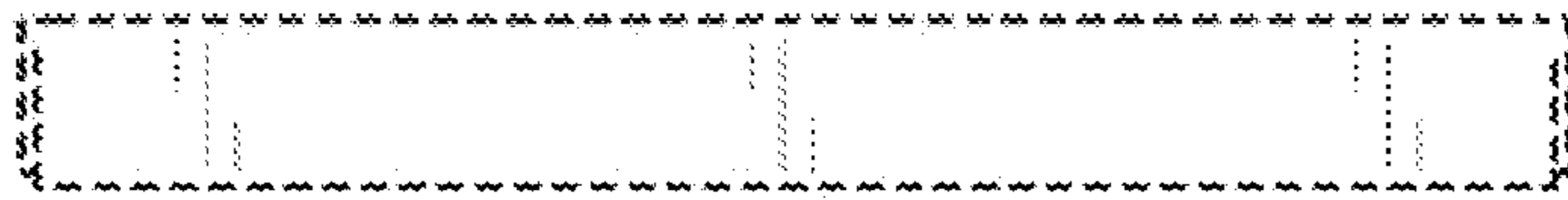


FIG. 13

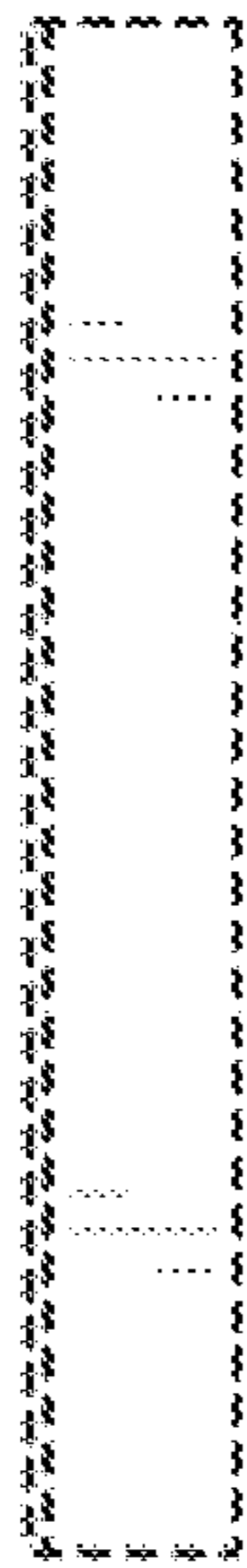


FIG. 14



FIG. 15



FIG. 16

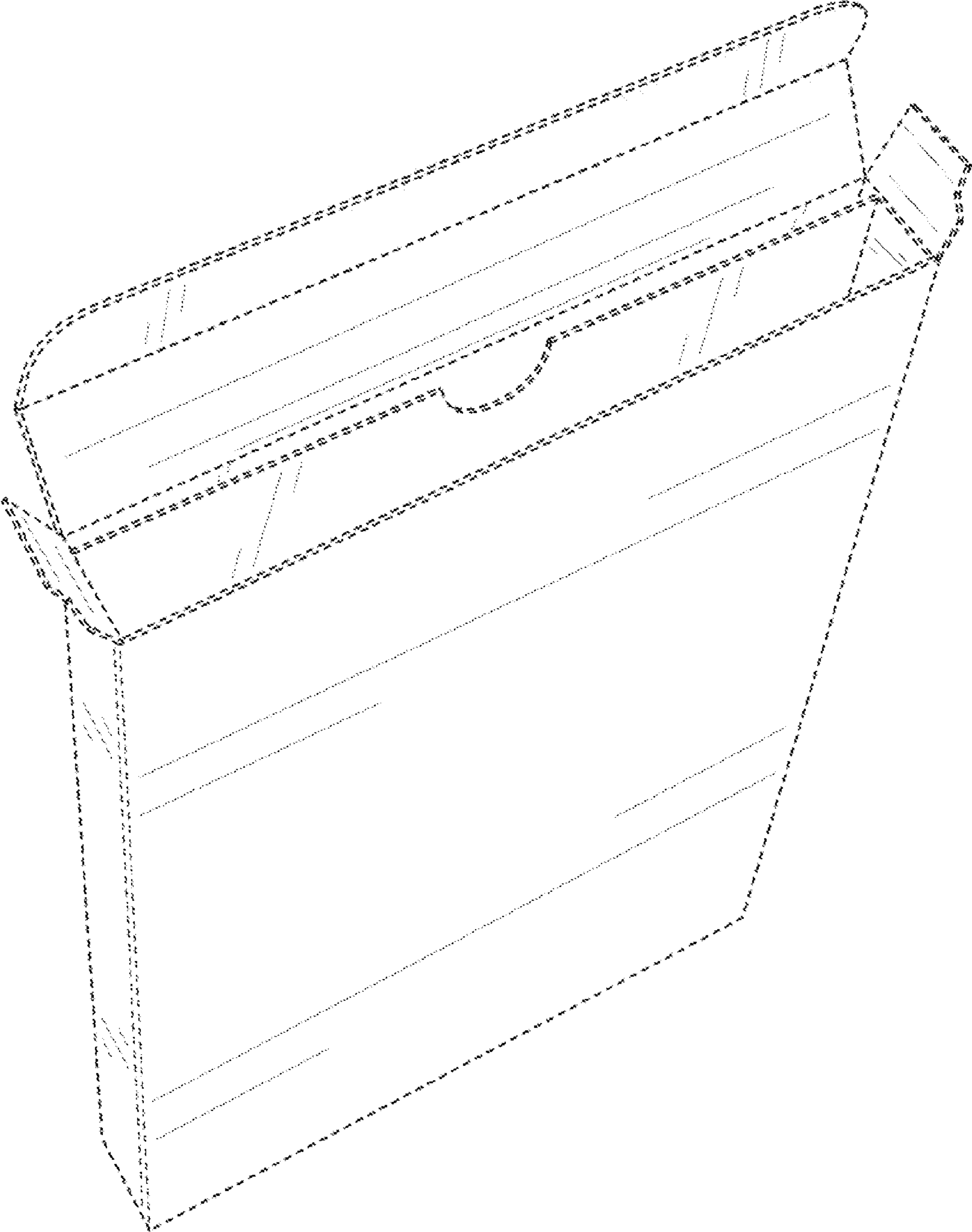


FIG. 17

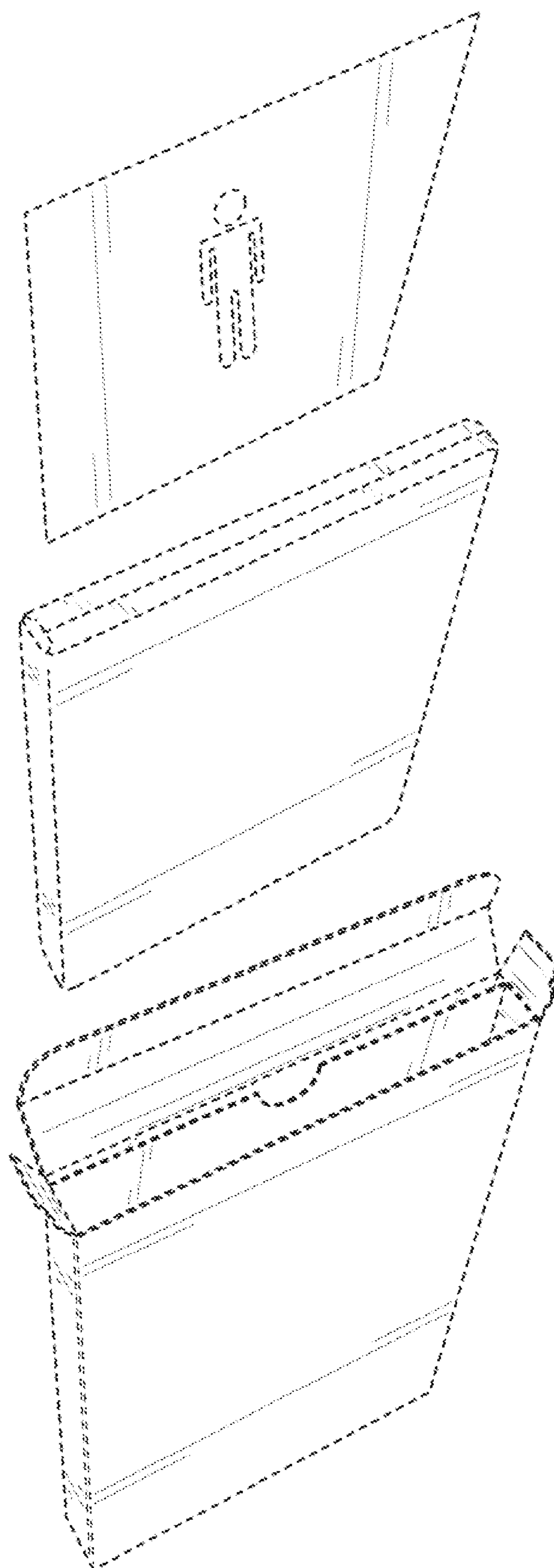


FIG. 18