



US00D652290S

(12) **United States Design Patent**  
**Lonergan et al.**

(10) **Patent No.:** **US D652,290 S**  
(45) **Date of Patent:** **\*\* Jan. 17, 2012**

(54) **FOOD PACKAGE**

(75) Inventors: **Dennis Lonergan**, Medina, MN (US);  
**Richard Steichen**, Elk River, MN (US);  
**James Beer**, Edina, MN (US)

(73) Assignee: **Vista Innovation, LLC**, Eden Prairie,  
MN (US)

(\*\*) Term: **14 Years**

(21) Appl. No.: **29/392,182**

(22) Filed: **May 18, 2011**

(51) **LOC (9) Cl.** ..... **09-03**

(52) **U.S. Cl.** ..... **D9/424**

(58) **Field of Classification Search** ..... D9/424,  
D9/414, 418-423, 425, 428-432, 435, 436,  
D9/455, 499; D3/202, 273, 328; D7/538,  
D7/543, 601, 602, 604, 608, 610, 612, 629;  
206/486, 488, 490, 503, 504, 557, 562, 565,  
206/521.1, 775, 776, 815, 822; 220/676,  
220/781, 786, 789, 790, 793, 912; 229/406,  
229/407, 906, 915, 925; 426/120

See application file for complete search history.

(56) **References Cited**

**U.S. PATENT DOCUMENTS**

D306,974 S \* 4/1990 Tholstrup ..... D9/424  
D336,596 S \* 6/1993 Osgood et al. .... D7/608  
5,230,867 A \* 7/1993 Kunze et al. .... 422/123  
D349,005 S \* 7/1994 Cousins et al. .... D7/543

D369,280 S \* 4/1996 Feer et al. .... D7/602  
D390,460 S \* 2/1998 Schmidt ..... D9/428  
D404,262 S \* 1/1999 McGill ..... D7/629  
D453,094 S \* 1/2002 Maggard et al. .... D7/584  
D489,004 S \* 4/2004 Parman ..... D9/428  
D491,024 S \* 6/2004 Welsh ..... D7/629  
D605,502 S \* 12/2009 Honda et al. .... D9/429  
2003/0222089 A1 \* 12/2003 Hale ..... 220/912  
2009/0142455 A1 \* 6/2009 Parsons ..... 426/120

\* cited by examiner

*Primary Examiner* — Derrick Holland

(74) *Attorney, Agent, or Firm* — McHale & Slavin, P.A.

(57) **CLAIM**

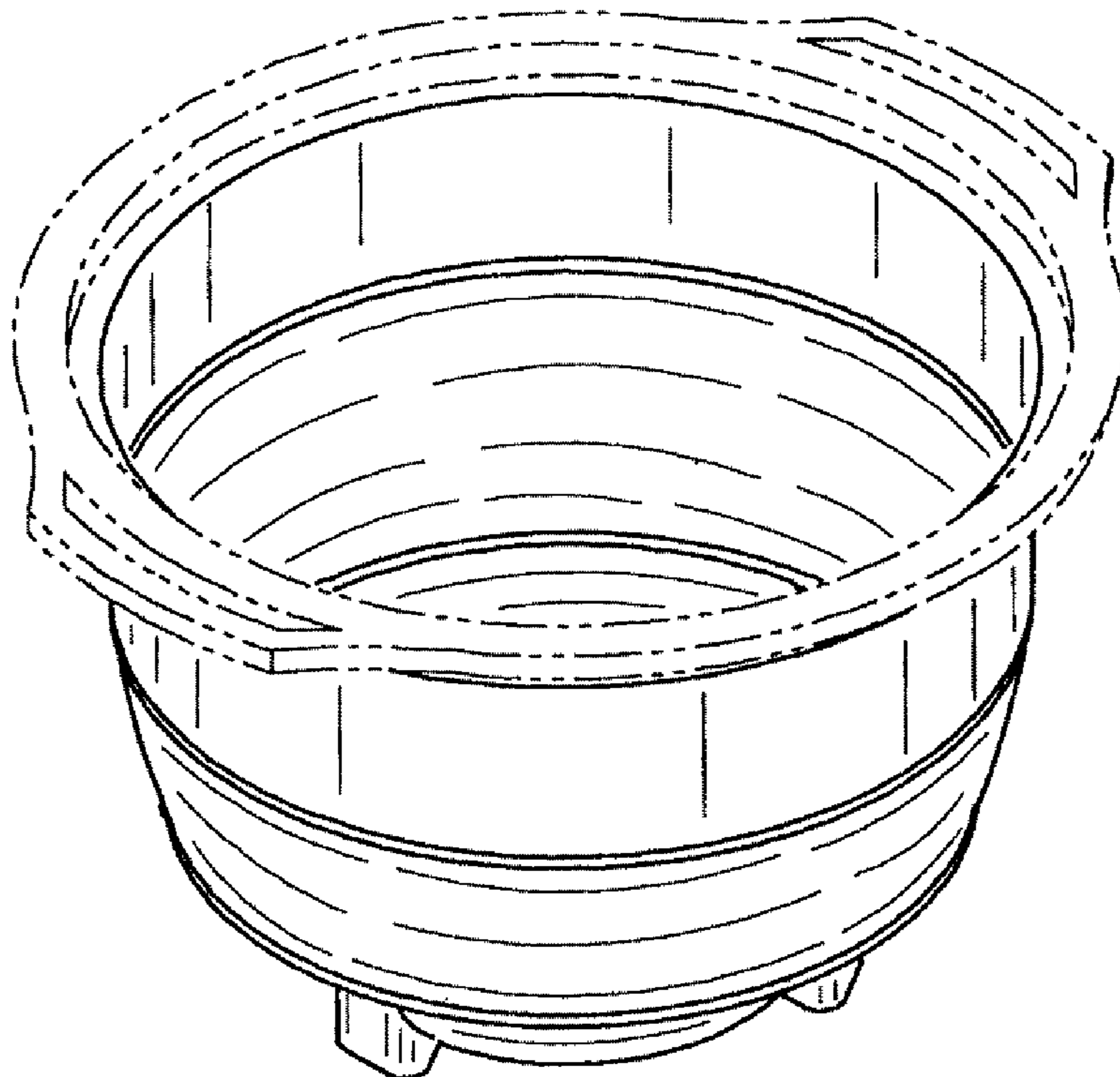
The ornamental design for a food package, as shown and described.

**DESCRIPTION**

FIG. 1 is a perspective view of a food package as viewed in an upright orientation;  
FIG. 2 is a perspective view of a food package as viewed in an inverted orientation;  
FIG. 3 is a front view thereof;  
FIG. 4 is a rear view thereof;  
FIG. 5 is a left side view thereof;  
FIG. 6 is a right side view thereof;  
FIG. 7 is a top view thereof; and,  
FIG. 8 is a bottom view thereof.

The portions of the figures illustrated in broken lines are for environmental purposes only and form no part of the claimed design.

**1 Claim, 2 Drawing Sheets**



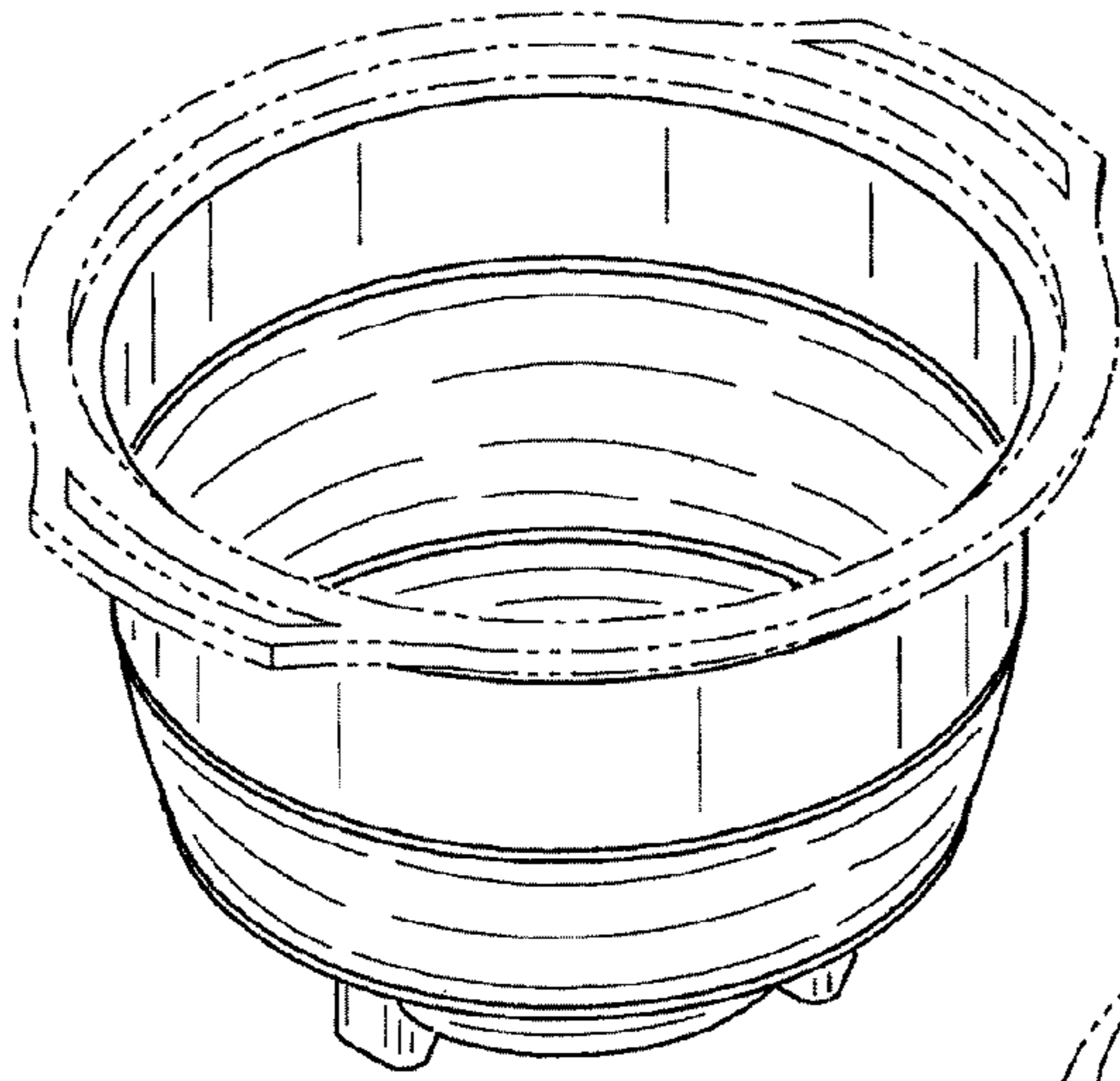


FIG. 1

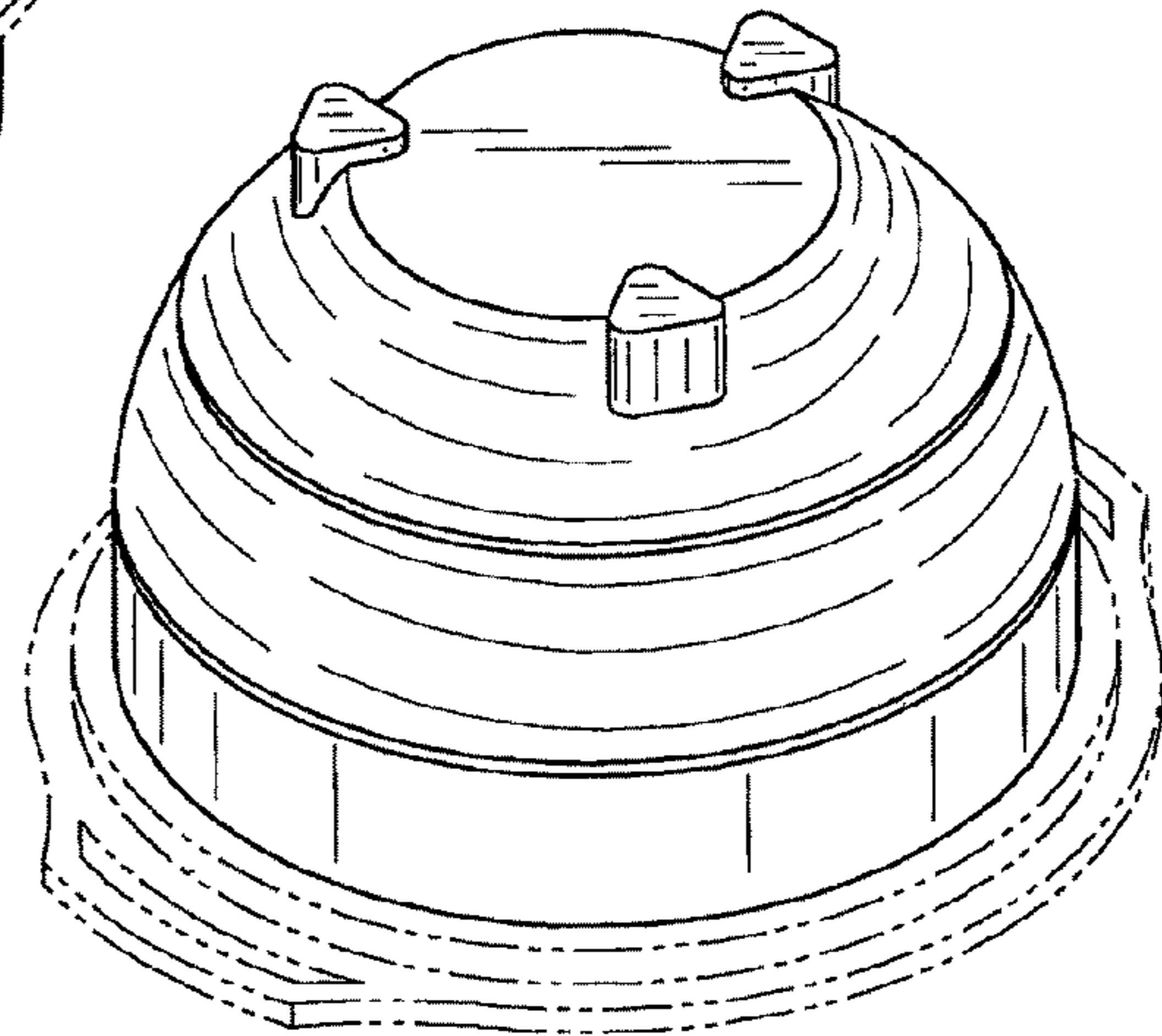


FIG. 2

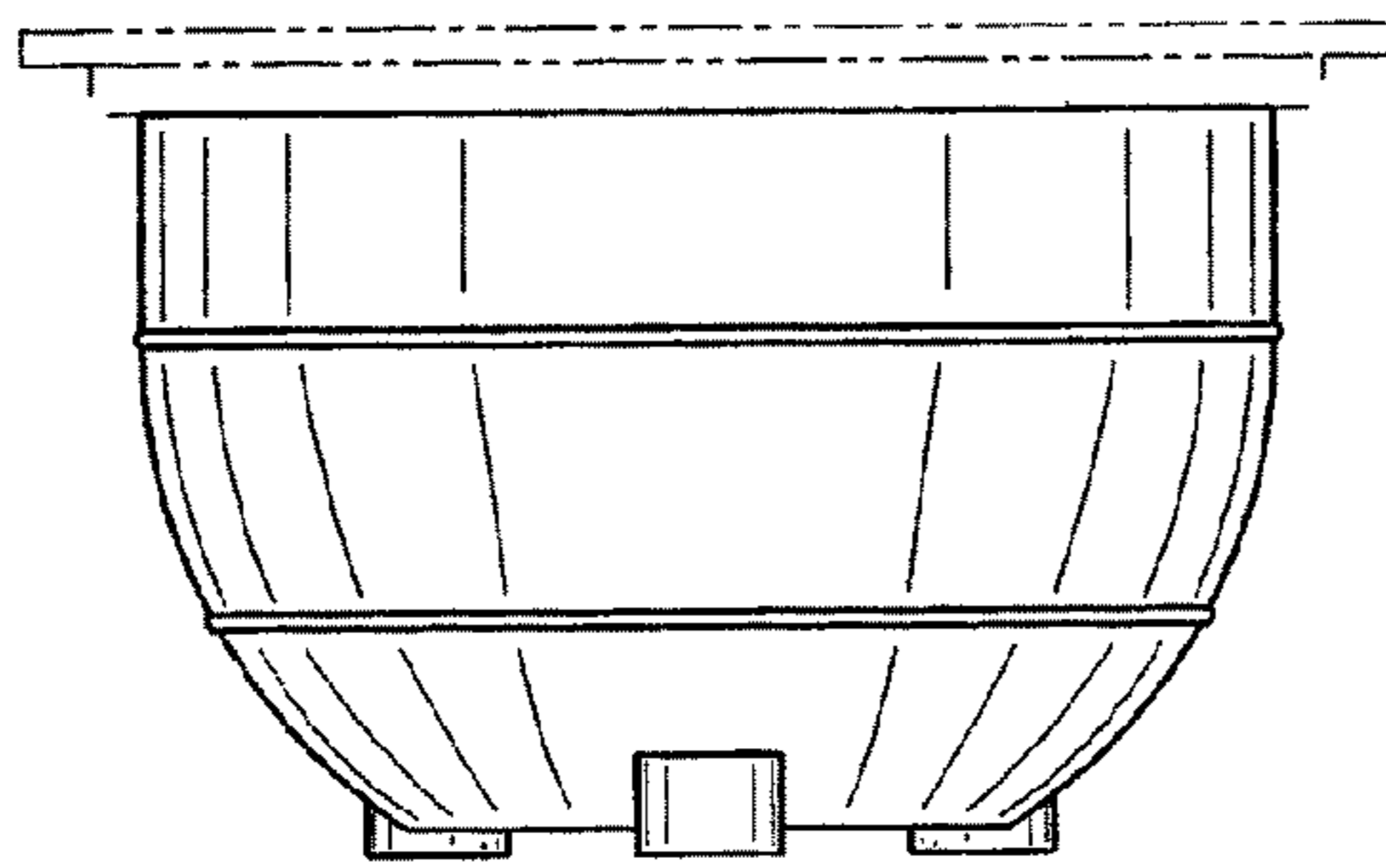


FIG. 3

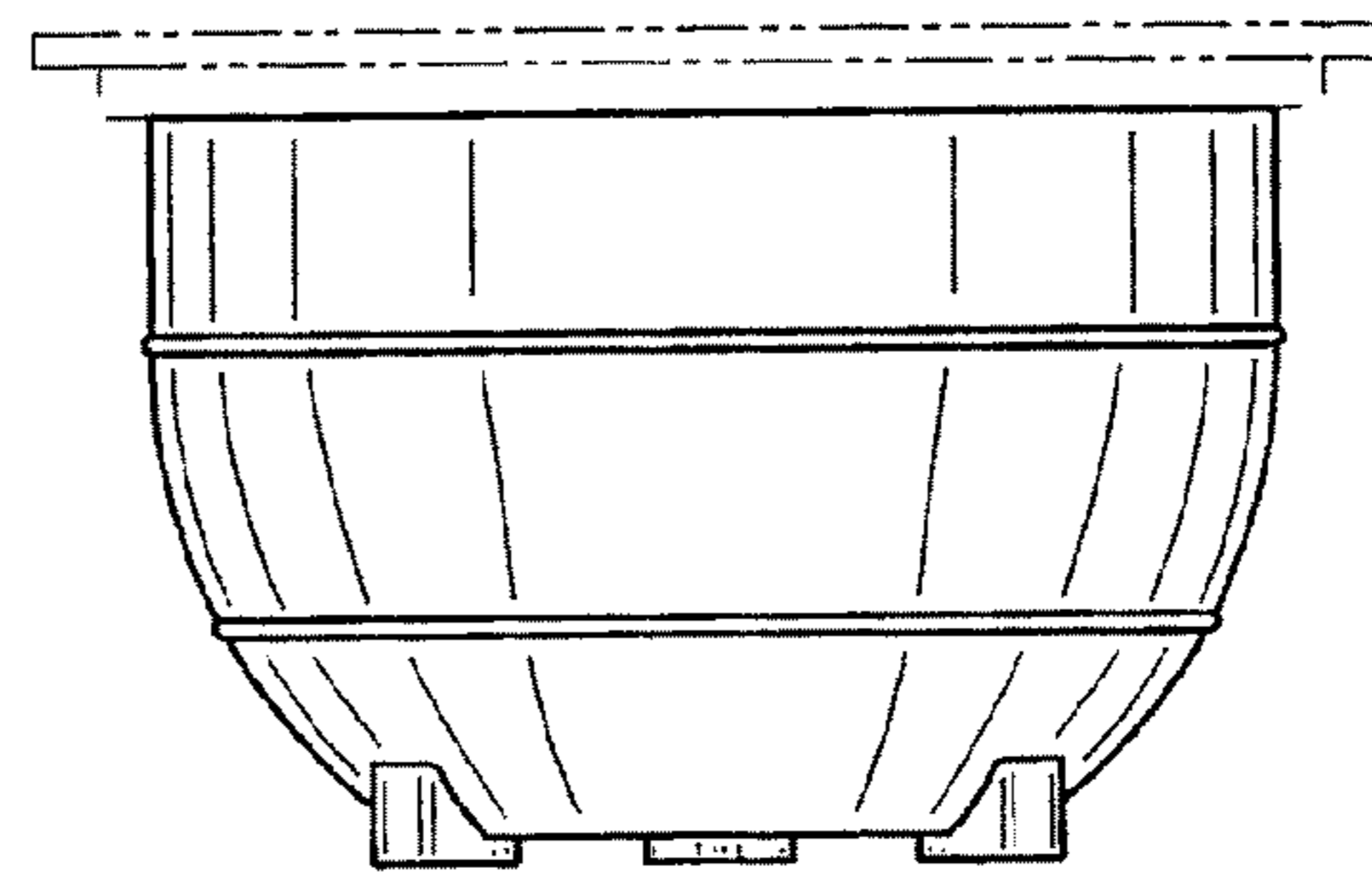


FIG. 4

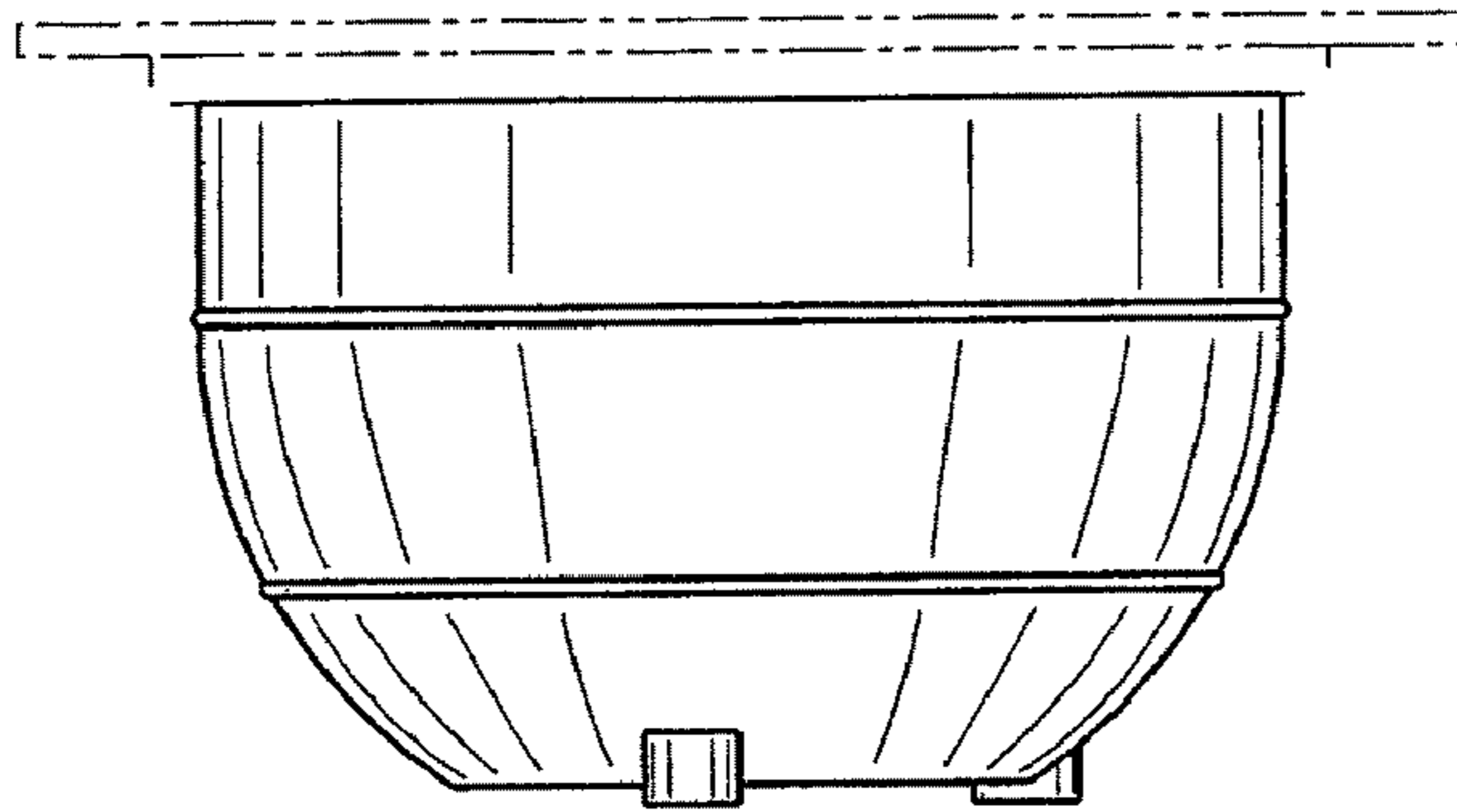


FIG. 5

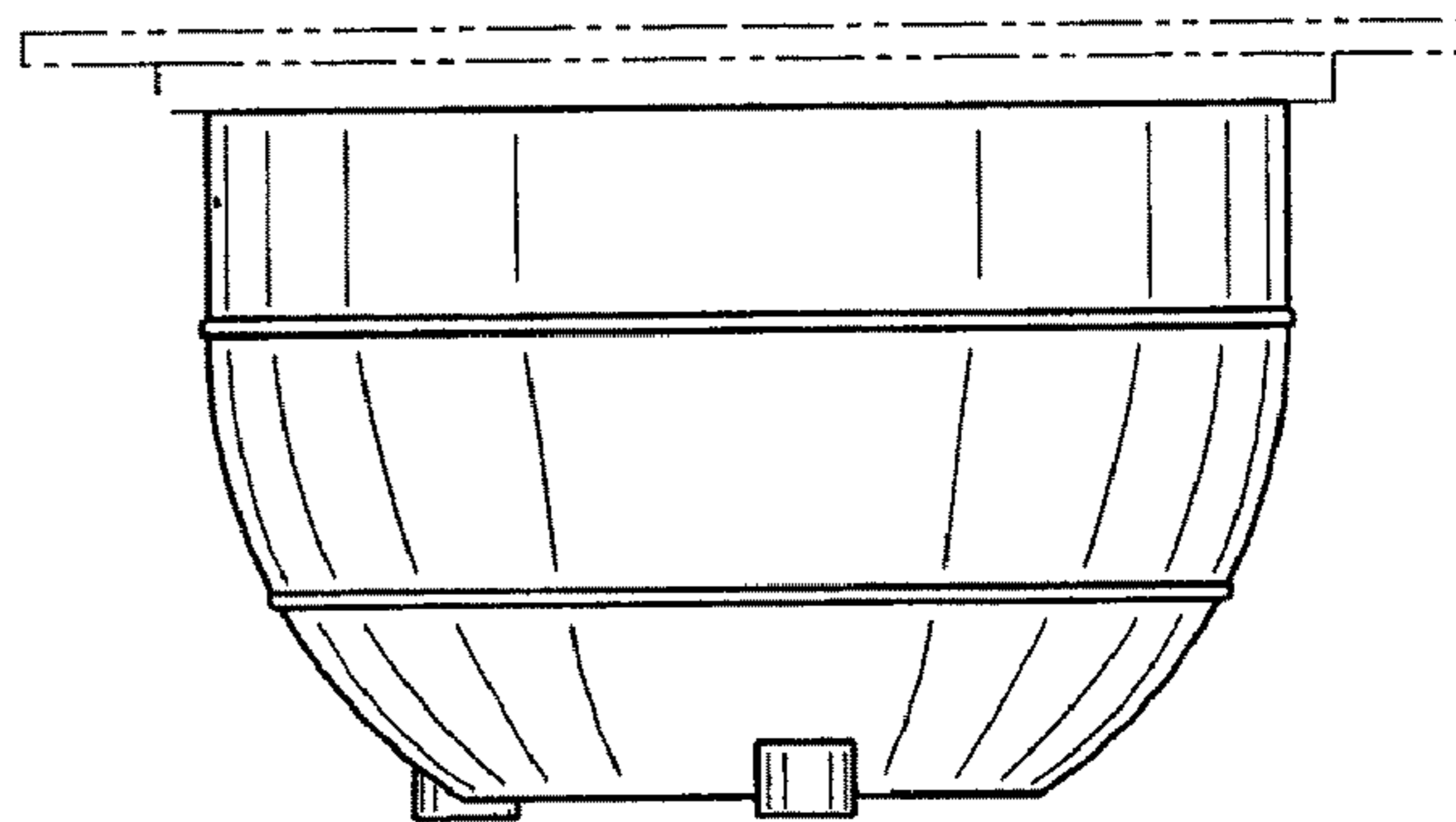


FIG. 6

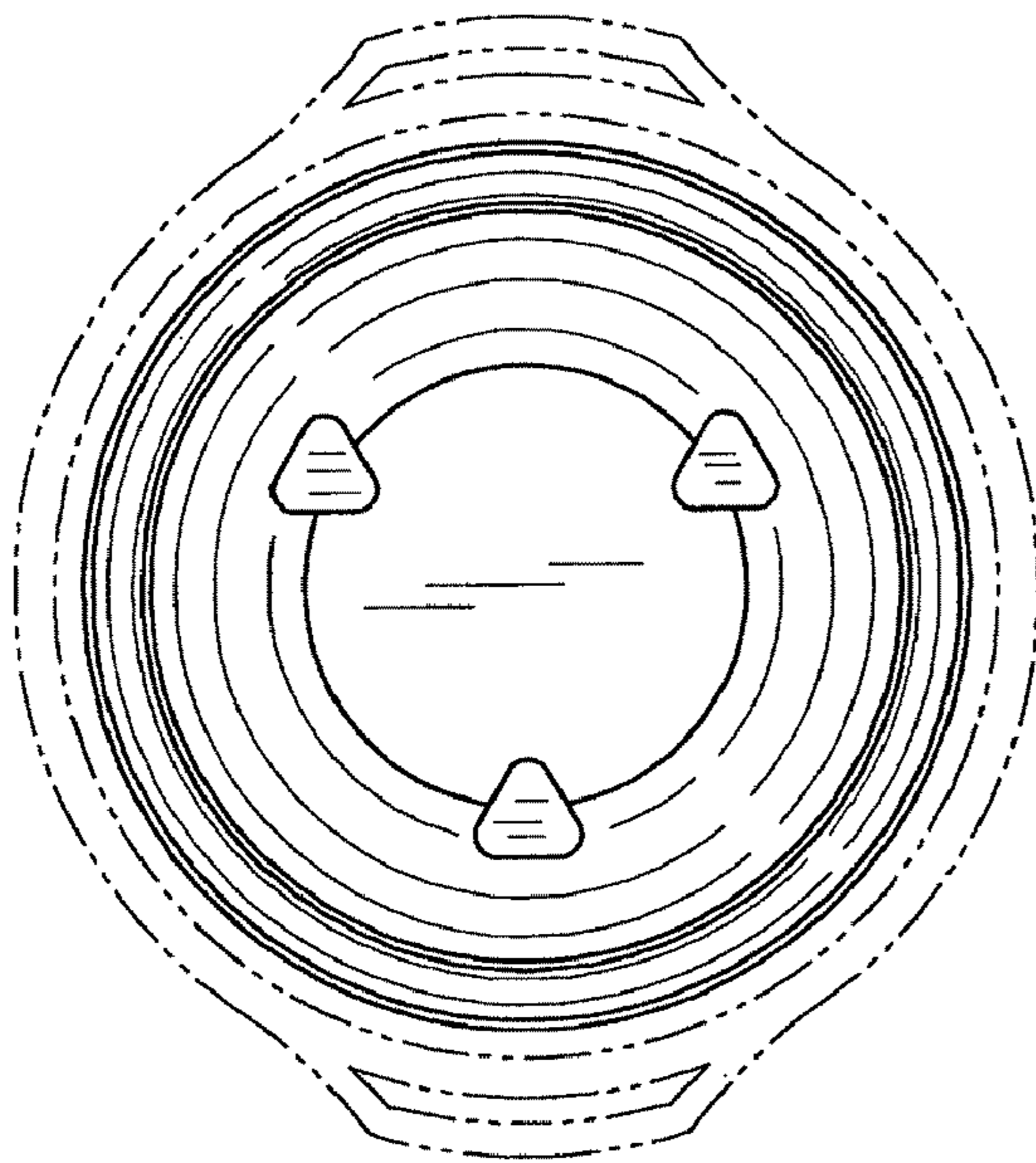


FIG. 7

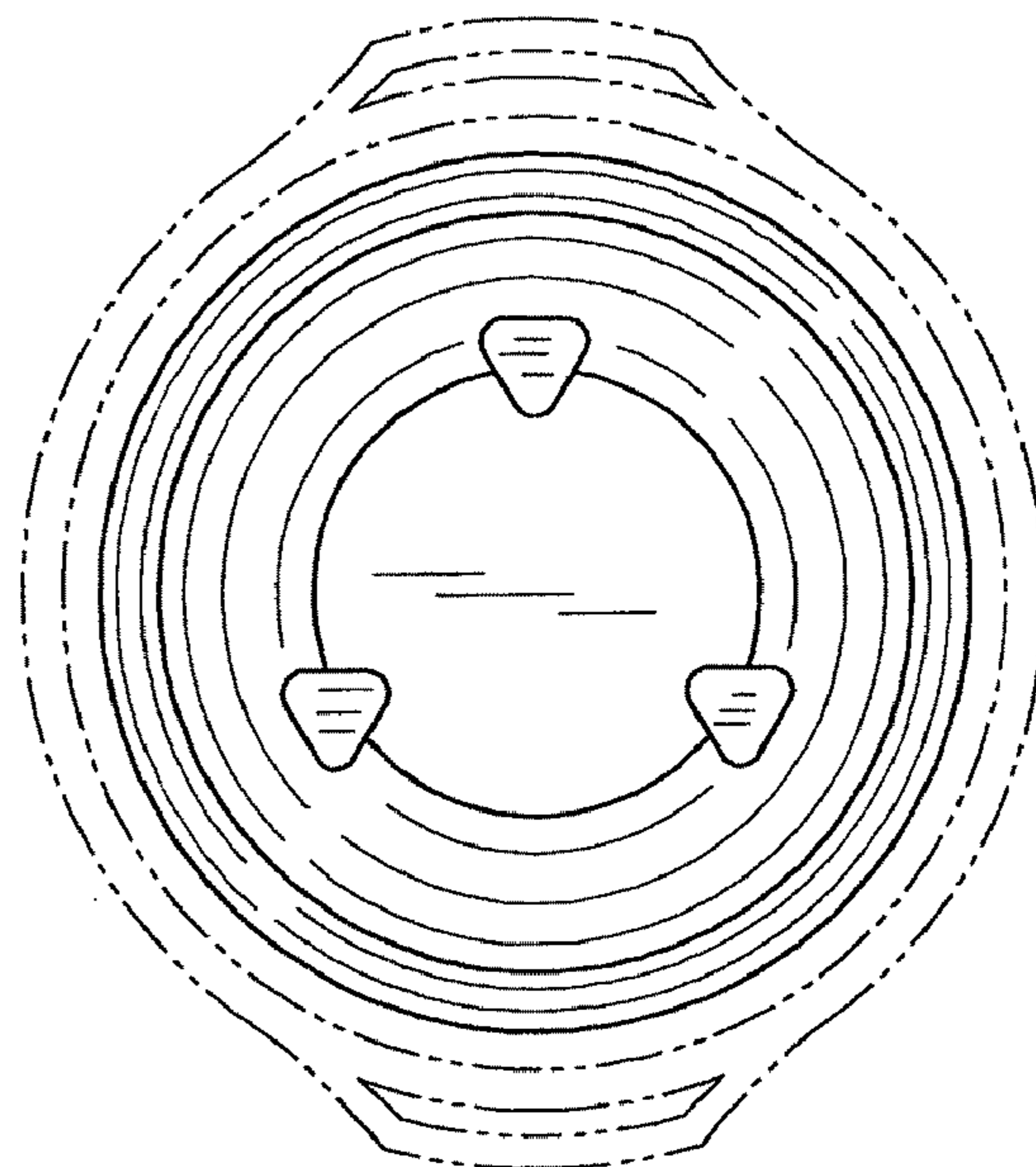


FIG. 8