

US00D652289S

(12) **United States Design Patent**  
**Vu**

(10) **Patent No.:** **US D652,289 S**  
(45) **Date of Patent:** **\*\* \*Jan. 17, 2012**

(54) **DOOR STOP**

(76) Inventor: **Dac Vu**, Tustin, CA (US)

(\*) Notice: This patent is subject to a terminal disclaimer.

(\*\*) Term: **14 Years**

(21) Appl. No.: **29/315,862**

(22) Filed: **Jul. 29, 2009**

(51) **LOC (9) Cl.** ..... **08-09**

(52) **U.S. Cl.** ..... **D8/402; D6/495**

(58) **Field of Classification Search** ..... D8/400-499;  
D25/48; 160/181, 182, 379, 377, 110, 112,  
160/DIG. 8; 292/259 R, 288, 342-343, DIG. 15;  
D21/385, 386, 388; D6/495; D20/19, 42,  
D20/43; 16/82, 375, 86 B, 137, 342, 85;  
40/331, 599; 248/188.8, 188.4  
See application file for complete search history.

(56) **References Cited**

U.S. PATENT DOCUMENTS

58,313	A *	9/1866	Soumeillian	.....	248/188.4
D30,549	S *	4/1899	Callaway	.....	D25/128
842,304	A *	1/1907	Deming	.....	292/17
918,060	A *	4/1909	Kabureck	.....	16/86 R
1,052,081	A *	2/1913	Miltner	.....	156/221
1,486,810	A *	3/1924	Stauffer	.....	30/301
1,626,011	A *	4/1927	O'Neill et al.	.....	312/139
1,672,596	A *	6/1928	Zerk	.....	248/188.5
D81,117	S *	5/1930	Strouse	.....	D21/499
1,886,112	A *	11/1932	Luarde	.....	248/188.4
2,189,048	A *	2/1940	Underhill	.....	16/86 A
2,419,449	A *	4/1947	Hilton	.....	16/86 A
2,652,585	A *	9/1953	Herbenar	.....	16/86 A
2,738,246	A *	3/1956	Hogan, Jr.	.....	248/188.8
2,761,718	A *	9/1956	Tool	.....	292/251.5
2,823,392	A *	2/1958	Barry	.....	5/310
2,826,470	A *	3/1958	Denton	.....	248/188.8

2,842,417	A *	7/1958	Scanlon	.....	248/188.8
D191,784	S *	11/1961	Ingram	.....	D8/402
3,172,144	A *	3/1965	Jamison	.....	16/86 A
3,194,593	A *	7/1965	Hendry	.....	403/83
3,258,515	A *	6/1966	Brown, Jr.	.....	264/177.19
D206,662	S *	1/1967	Karol	.....	D13/156
3,311,069	A *	3/1967	Underwood	.....	426/502
D219,147	S *	11/1970	Propst	.....	D13/156
D226,200	S *	1/1973	Friedman	.....	D25/132
4,042,199	A *	8/1977	Winkler	.....	248/188.8
4,110,550	A *	8/1978	Di Pietro	.....	174/19
D253,335	S *	11/1979	Gauntner et al.	.....	D8/402
D259,110	S *	5/1981	Russell	.....	D11/88
D277,645	S *	2/1985	McGarry	.....	D8/402
D286,135	S *	10/1986	Looney	.....	D8/402
D294,486	S *	3/1988	Opitz	.....	D13/156
4,782,553	A *	11/1988	Morrison	.....	16/86 A
D303,626	S *	9/1989	Morrison	.....	D8/402
D331,567	S *	12/1992	Braga et al.	.....	D13/156

(Continued)

*Primary Examiner* — Cathron Brooks

*Assistant Examiner* — Barbara Fox

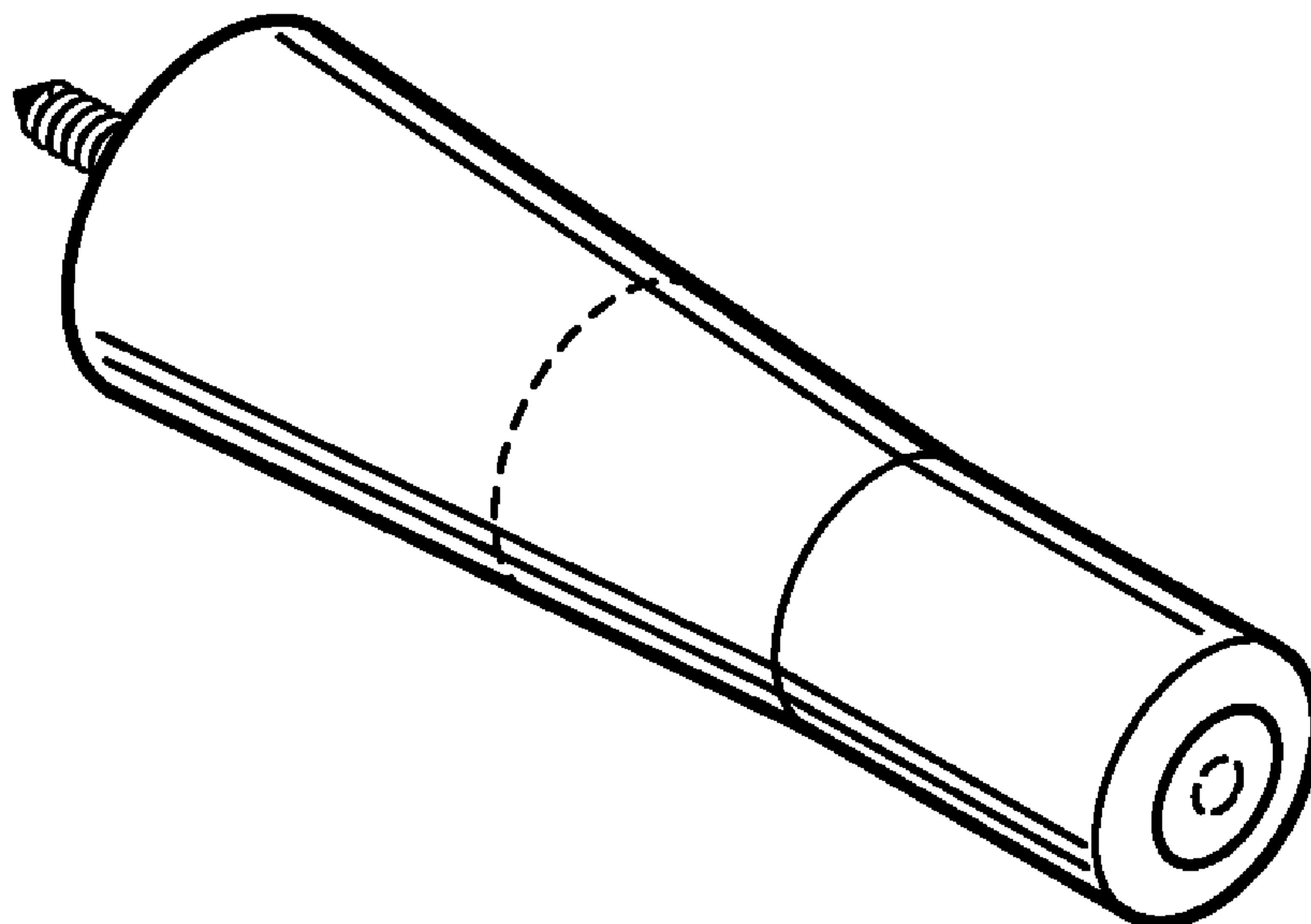
(57) **CLAIM**

The ornamental design for a door stop, as shown and described.

**DESCRIPTION**

FIG. 1 is a perspective view of a door stop showing the new design;  
FIG. 2 is a perspective view of the door stop of FIG. 1 from a different angle;  
FIG. 3 is a rear end view of the door stop of FIG. 1;  
FIG. 4 is a side view of the door stop of FIG. 1; and,  
FIG. 5 is a front end view of the door stop of FIG. 1.  
The broken lines shown in the drawings are for the purpose of illustrating unclaimed portions of the door stop and form no part of the claimed design.

**1 Claim, 2 Drawing Sheets**



# US D652,289 S

Page 2

---

## U.S. PATENT DOCUMENTS

5,284,038	A *	2/1994	Johnson	70/232	D487,395	S *	3/2004	Wockenfuss	D8/402
5,575,514	A *	11/1996	Troy	292/340	D563,158	S *	3/2008	Collins	D7/393
D433,931	S *	11/2000	Poplin	D8/402	7,412,751	B2 *	8/2008	Forrest	16/82
6,171,312	B1 *	1/2001	Beaty	606/80	2004/0045128	A1 *	3/2004	Frushour	16/82
6,273,257	B1 *	8/2001	Mossbeck	206/497	2004/0181903	A1 *	9/2004	Salice	16/82

\* cited by examiner

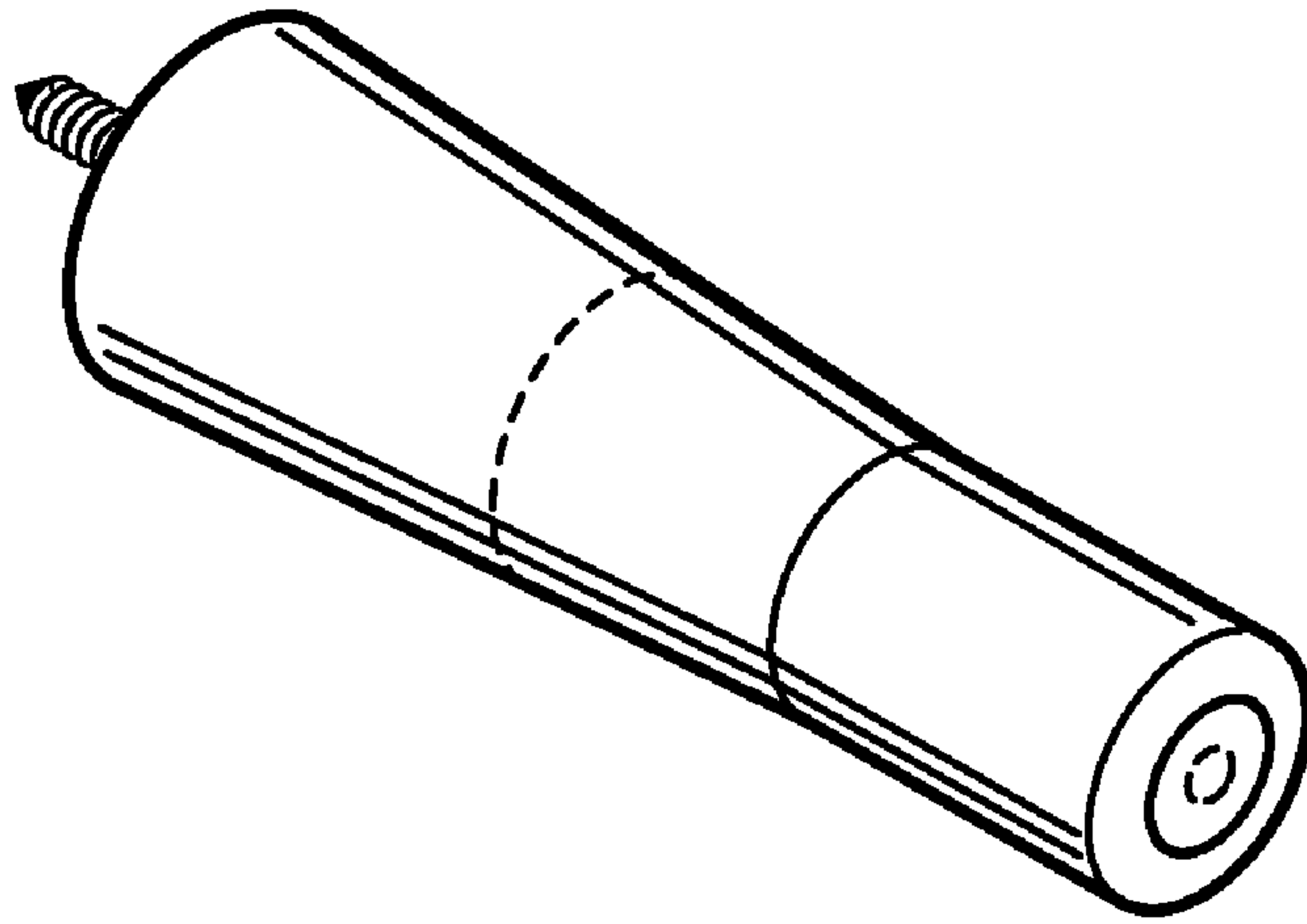


FIG 1

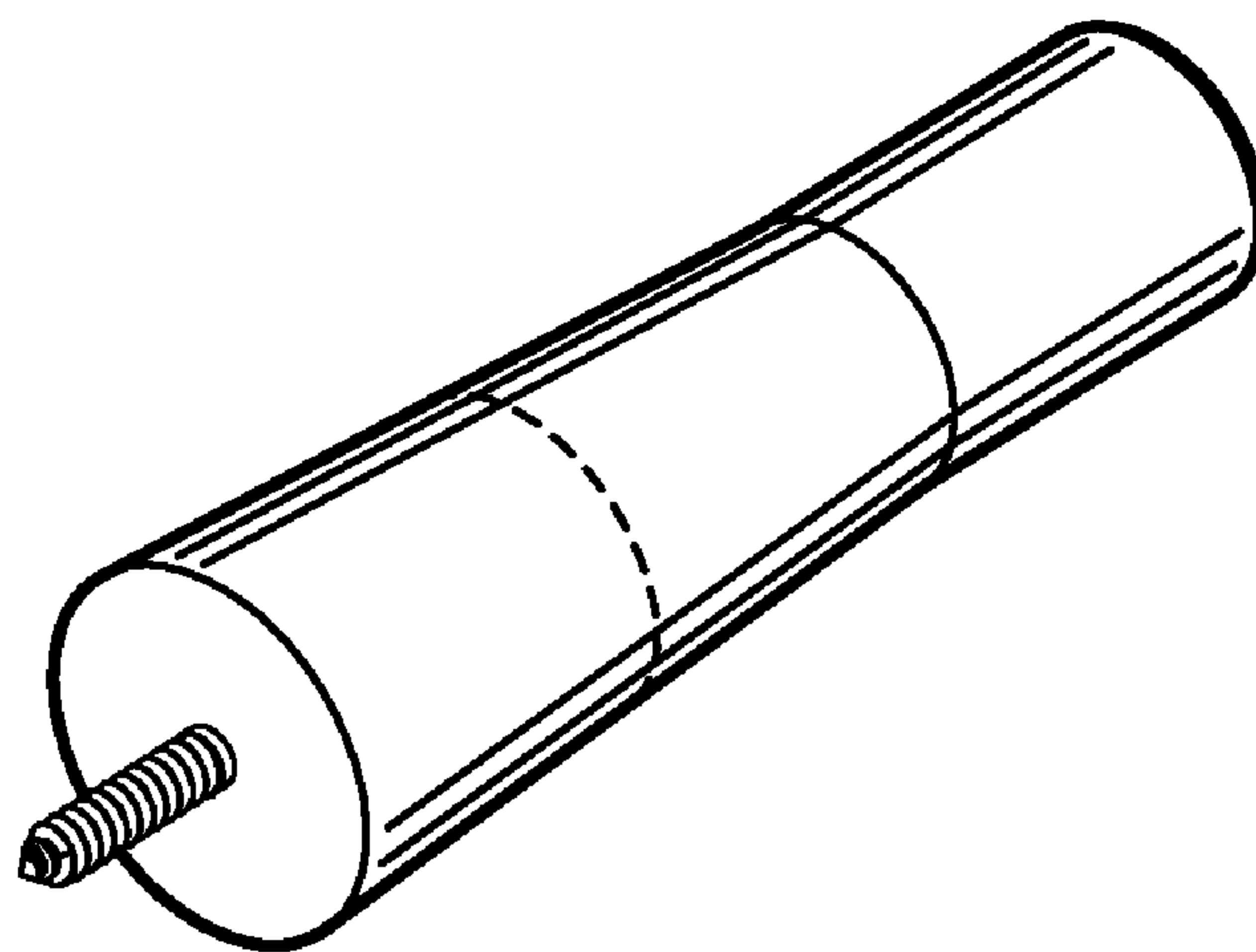


FIG 2

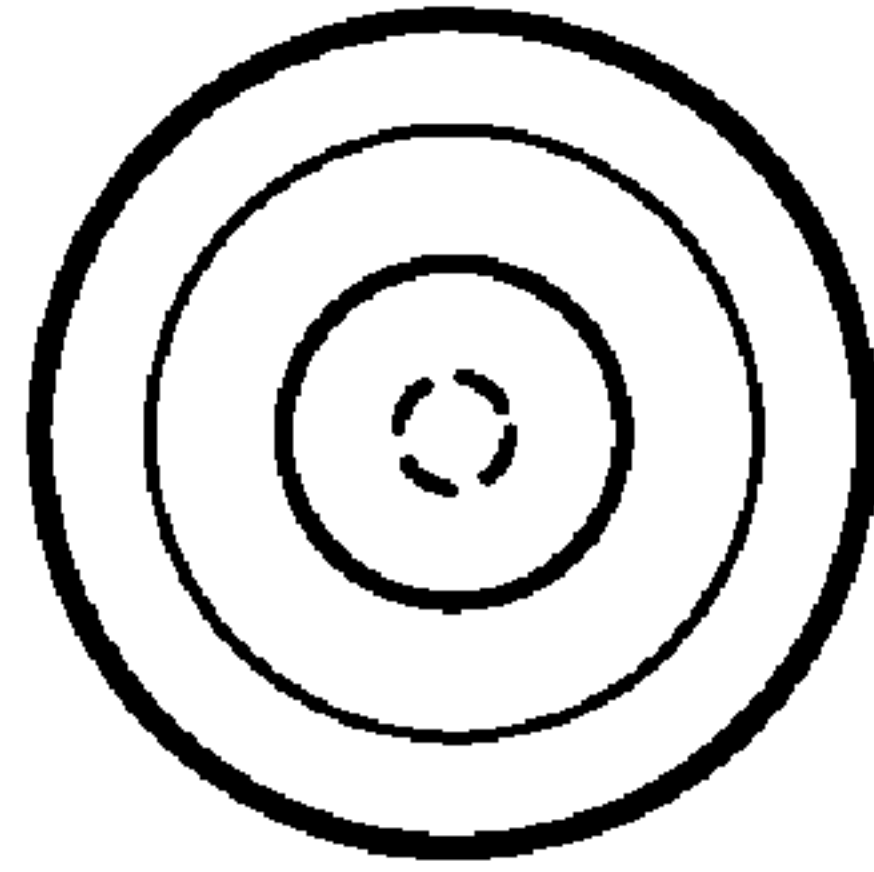


FIG 5

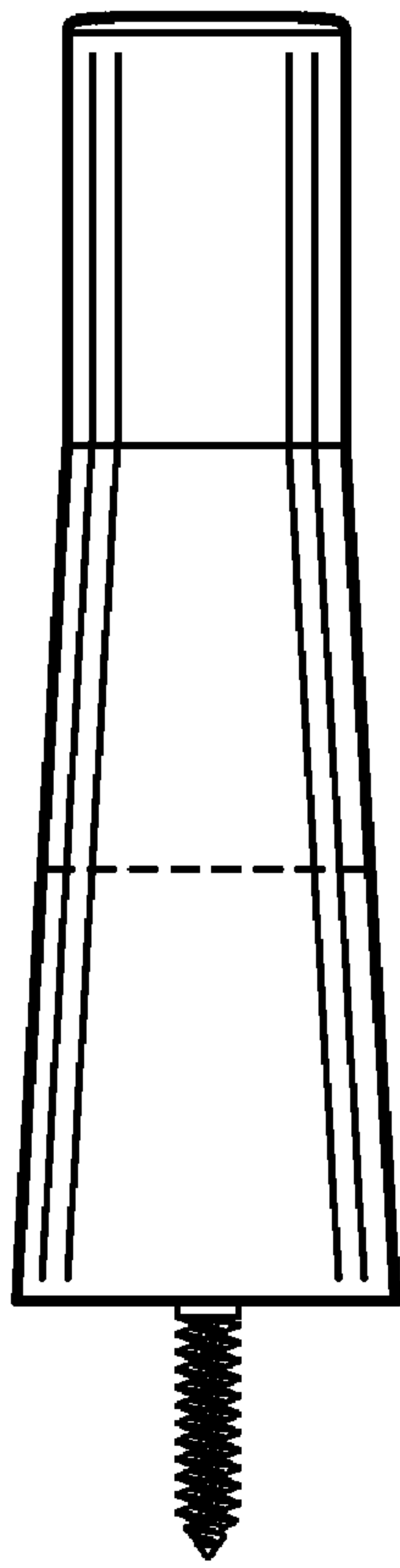


FIG 4

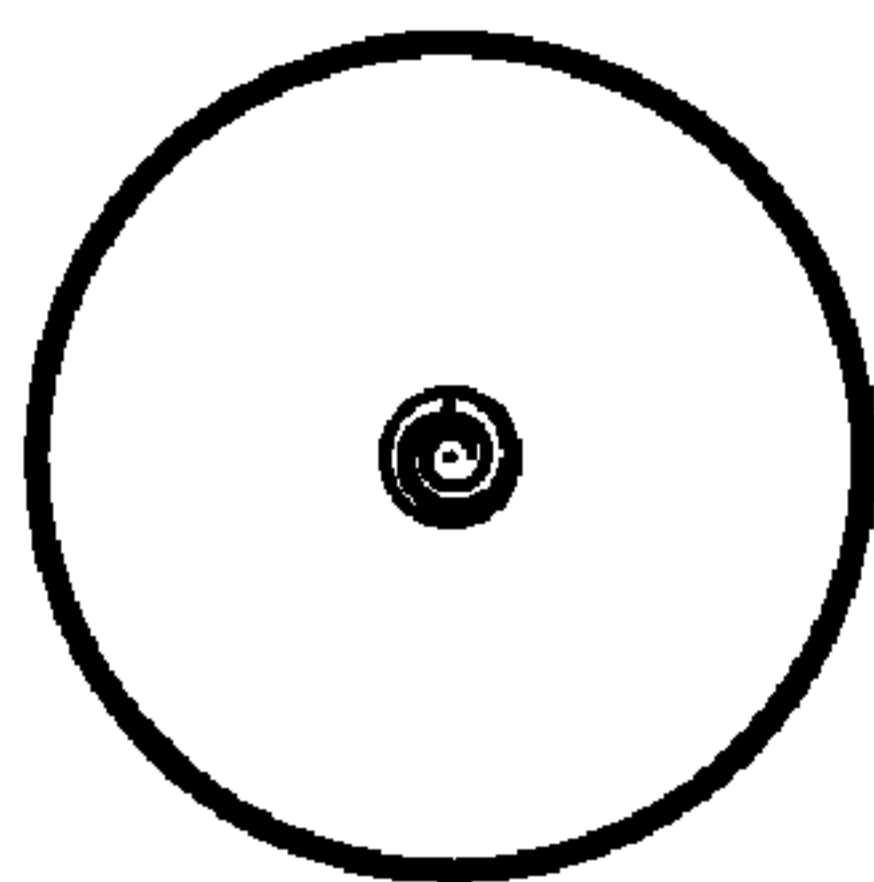


FIG 3